



US00D341117S

United States Patent [19]

Sundstedt

[11] Patent Number: **Des. 341,117**

[45] Date of Patent: **** Nov. 9, 1993**

[54] REAR TOW HOOK FOR AN AUTOMOBILE

5,094,469 3/1992 Yamamoto et al. 280/505

[75] Inventor: **Per Sundstedt**, Aschebergsgatan, Sweden

[73] Assignee: **Aktiebolaget Volvo**, Gothenburg, Sweden

[**] Term: **14 Years**

[21] Appl. No.: **889,111**

[22] Filed: **May 27, 1992**

[52] U.S. Cl. **D12/162**

[58] Field of Search **D12/162; 280/505, 501, 280/500, 511; 293/116, 117**

[56] **References Cited**

U.S. PATENT DOCUMENTS

D. 234,949 4/1975 Rendessy D12/162

OTHER PUBLICATIONS

Atwood Co. Brochure, rec'd Jan. 1, 1959, p. 3, the Atwood frame hitches.

Primary Examiner—Wallace R. Burke

Assistant Examiner—Melody Brown

Attorney, Agent, or Firm—Young & Thompson

[57] CLAIM

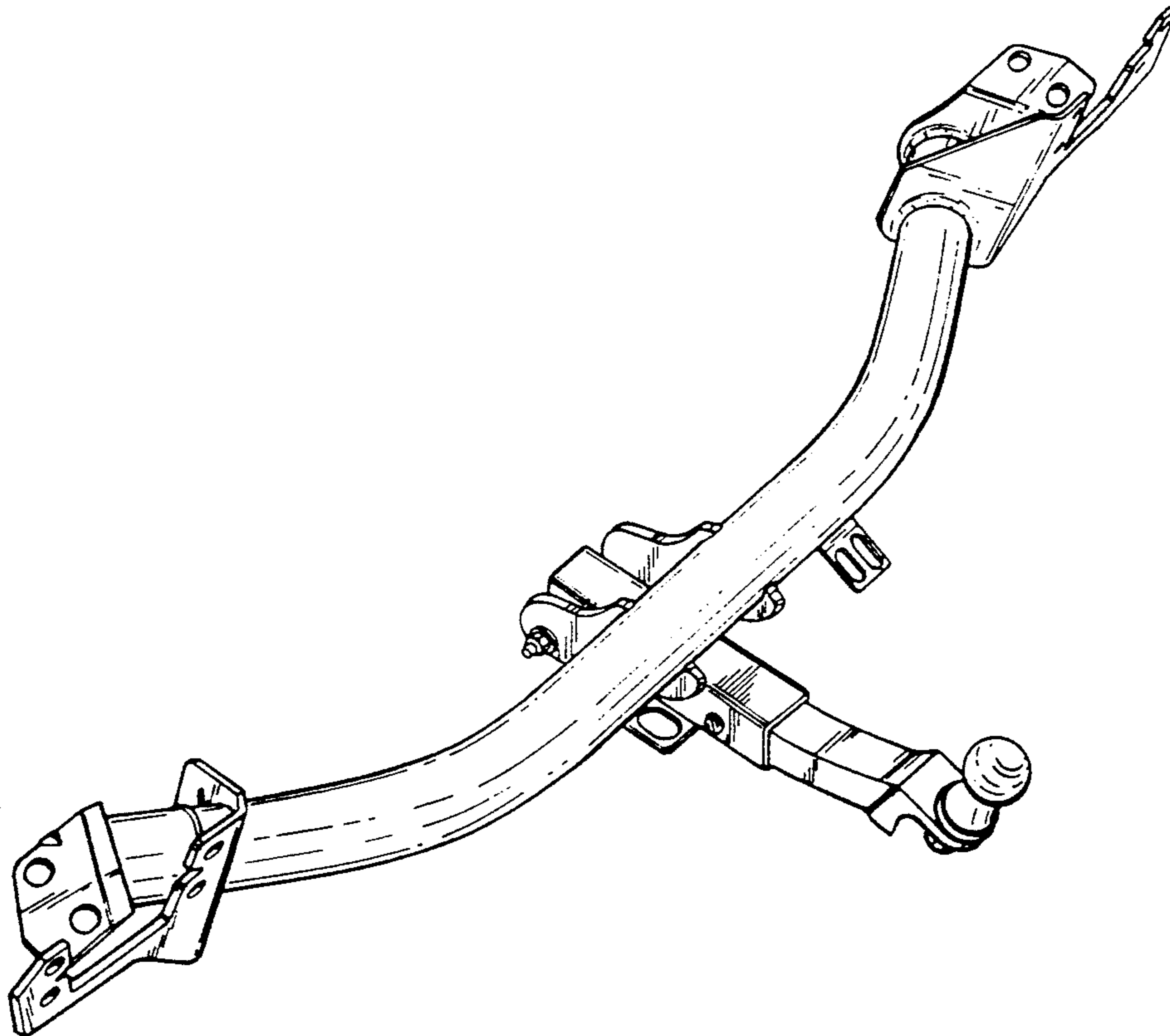
The ornamental design for a rear tow hook for an automobile, as shown.

DESCRIPTION

FIG. 1 is a top perspective view of a rear tow hook for an automobile showing my new design;

FIG. 2 is a bottom perspective view thereof; and,

FIG. 3 is a top plan view thereof.



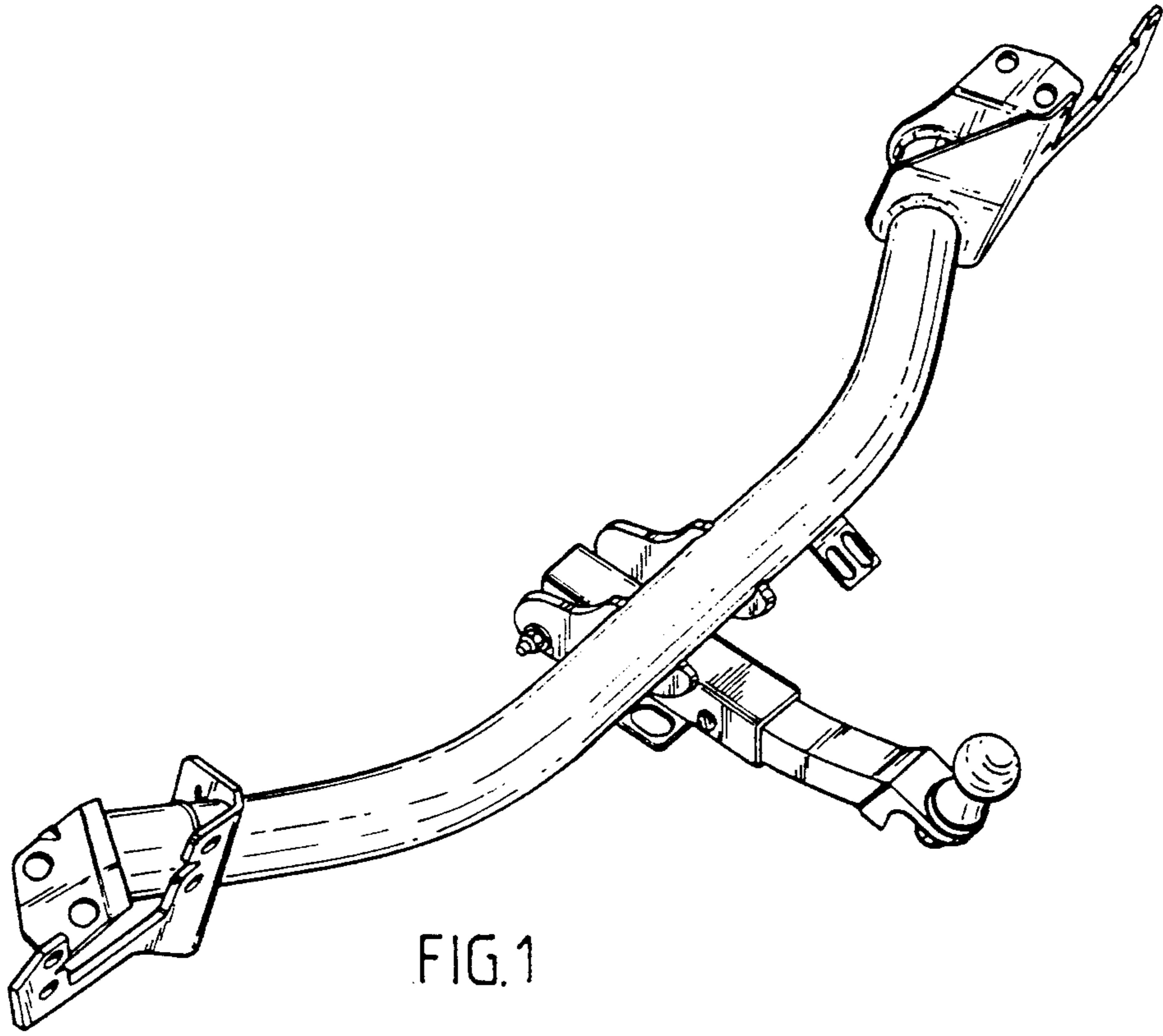


FIG. 1

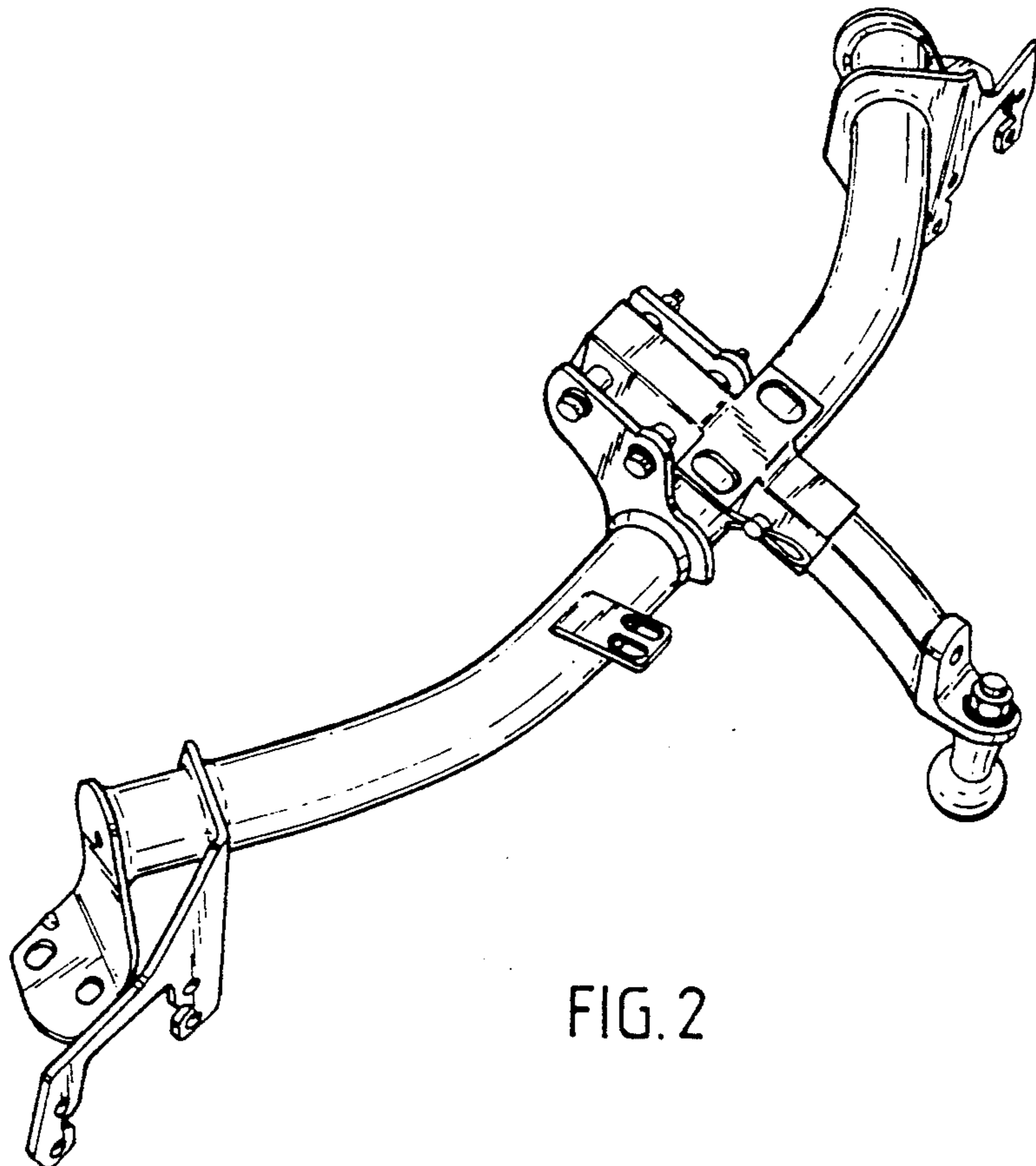


FIG. 2

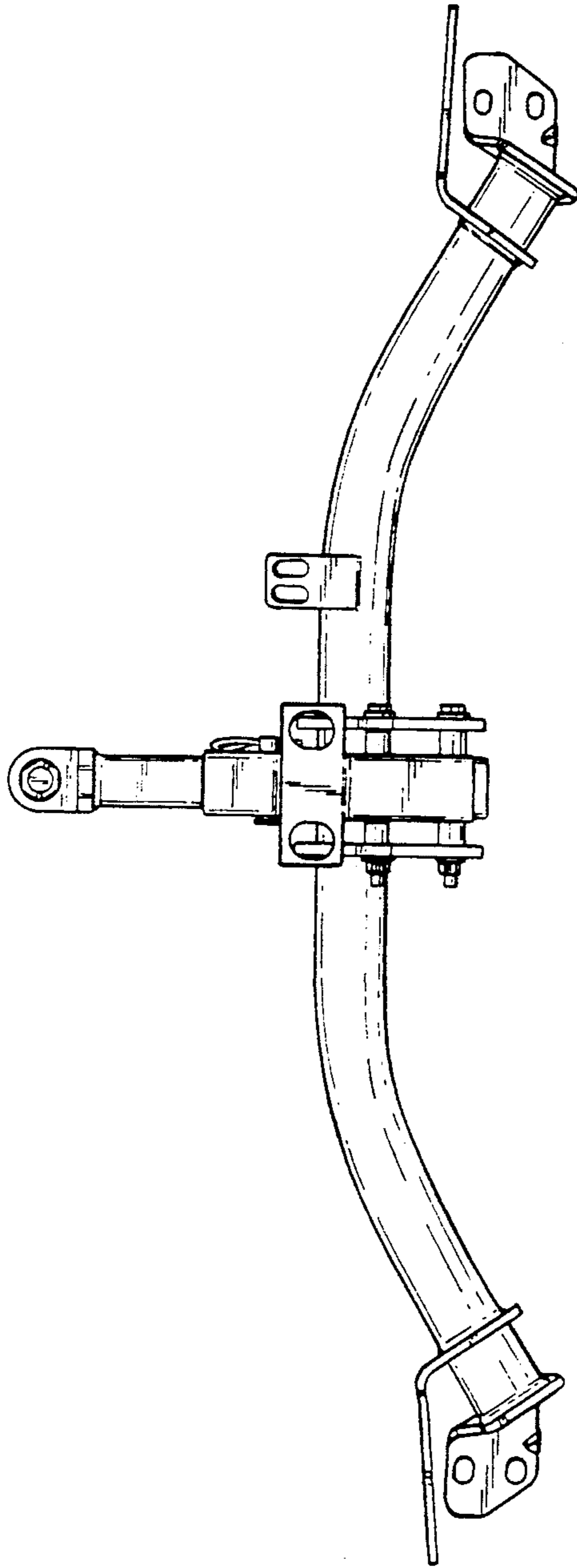


FIG. 3