



US00D341115S

# United States Patent [19]

Papania

[11] Patent Number: **Des. 341,115**

[45] Date of Patent: **\*\* Nov. 9, 1993**

[54] **HEATED WINDSHIELD WIPER**

[76] Inventor: **Anthony S. Papania**, 410 Pricketts Mill Rd., Tabernacle, N.J. 08088

[\*\*] Term: **14 Years**

[21] Appl. No.: **846,433**

[22] Filed: **Mar. 6, 1992**

[52] U.S. Cl. .... **D12/155**

[58] Field of Search ..... **D12/155; 15/250.05, 15/250.06, 250.07, 250.35, 250.36, 250.42**

[56] **References Cited**

**U.S. PATENT DOCUMENTS**

2,923,022	2/1960	Theckston .....	15/250.07
3,447,186	6/1969	Senkewich .....	15/250.07
3,461,477	8/1969	Ikner .....	15/250.06

4,152,808	5/1979	Andregg .....	15/250.07
4,497,083	2/1985	Nielsen, Jr. et al. ....	15/250.06

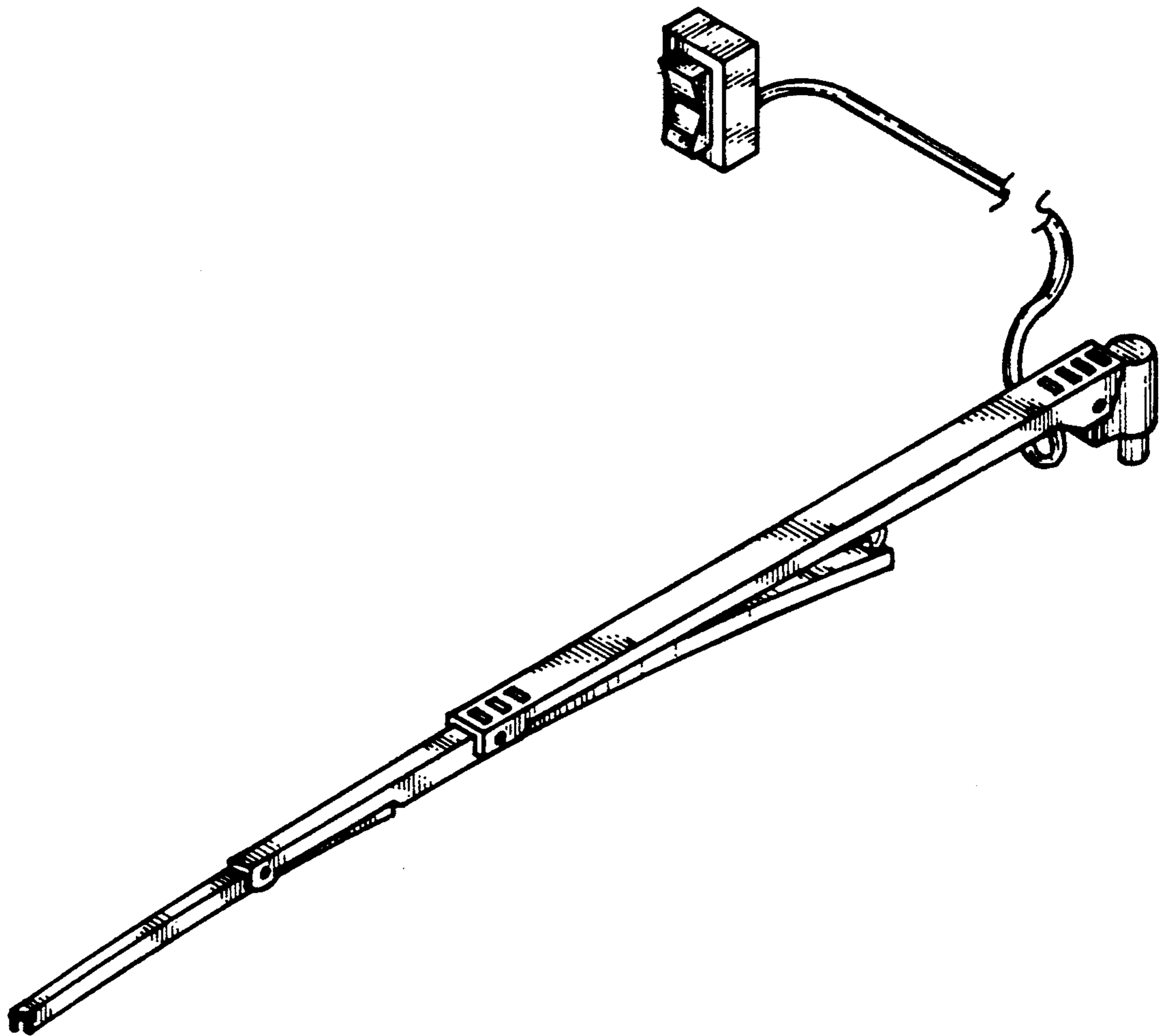
*Primary Examiner*—James M. Gandy  
*Attorney, Agent, or Firm*—Terry M. Gernstein

[57] **CLAIM**

The ornamental design for a heated windshield wiper, as shown and described.

**DESCRIPTION**

FIG. 1 is a perspective view of the heated windshield wiper embodying the design of the present invention; FIG. 2 is a front elevational view thereof; FIG. 3 is a rear elevational view thereof; FIG. 4 is a side elevational view thereof; FIG. 5 is an opposite side elevational view thereof; FIG. 6 is a top plan view thereof; and, FIG. 7 is a bottom view thereof.



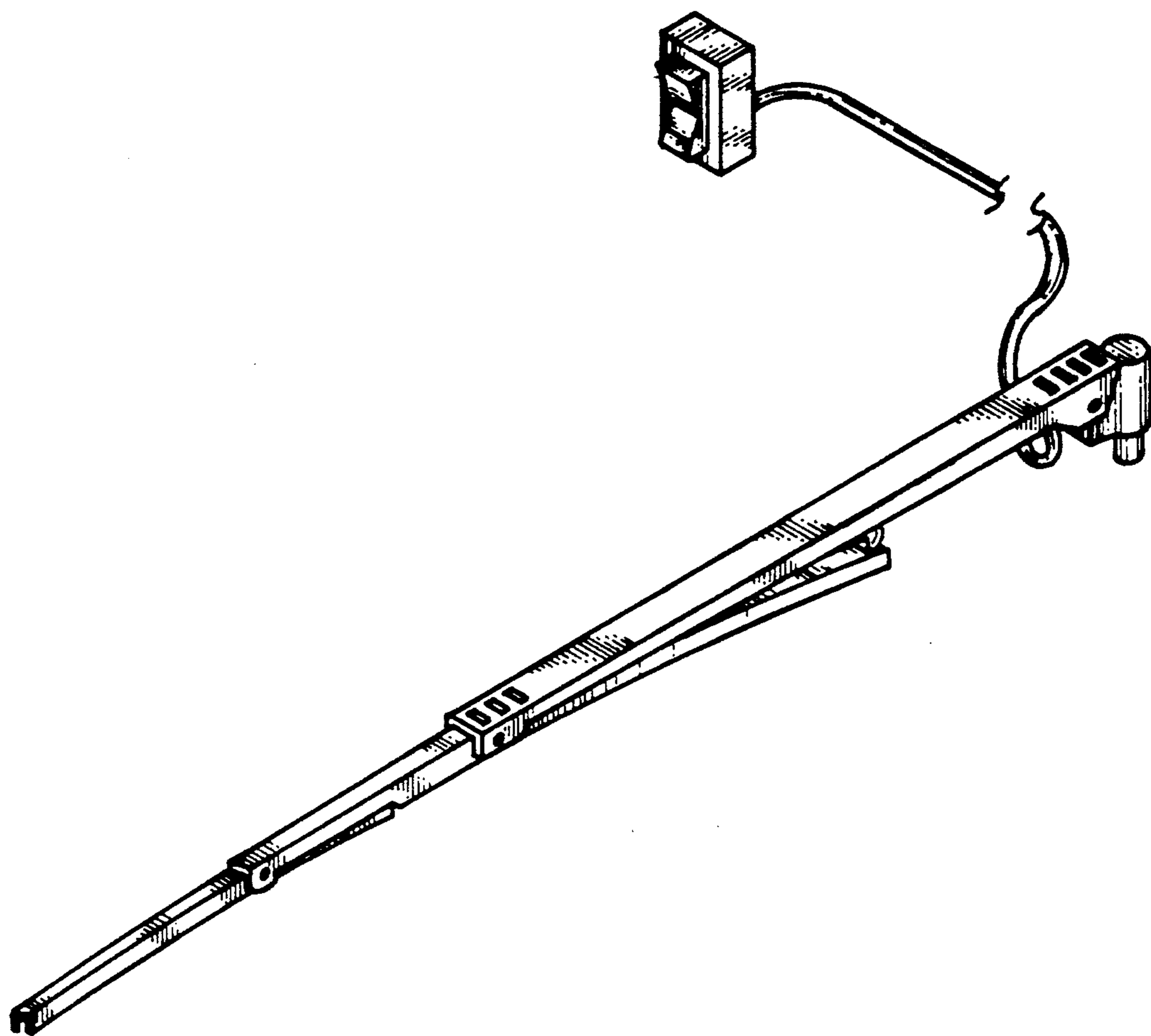


FIG. 1

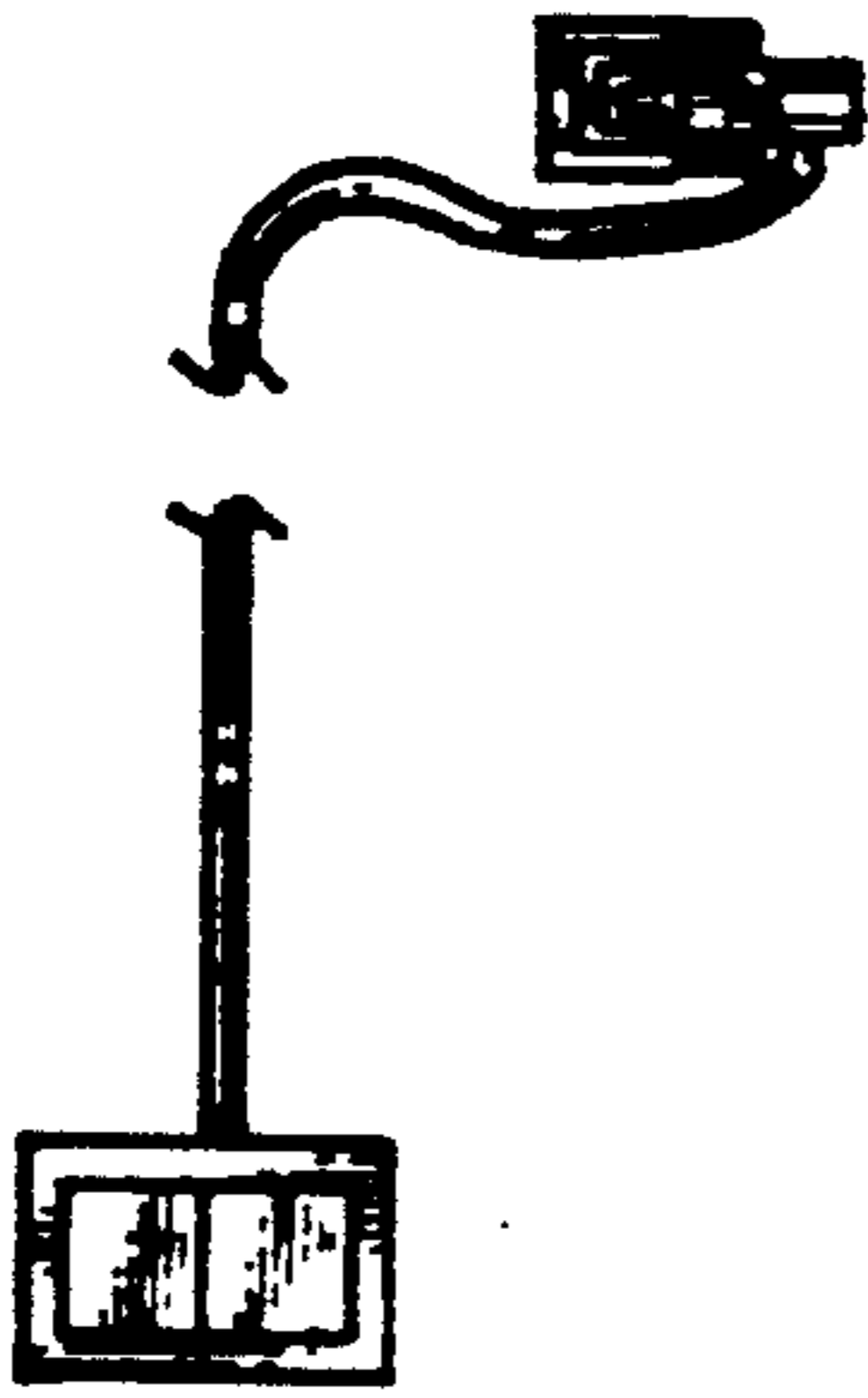


FIG. 2

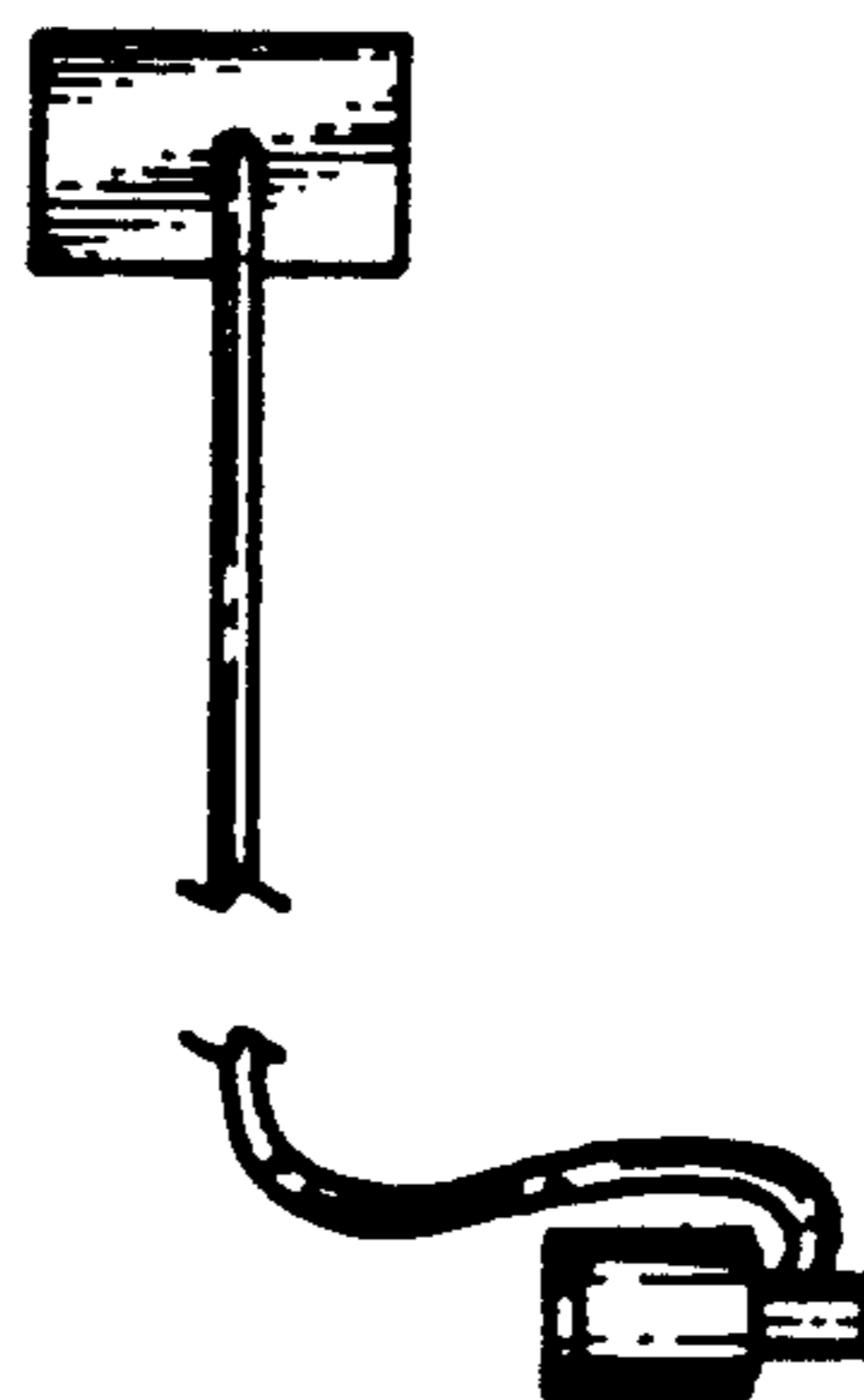


FIG. 3

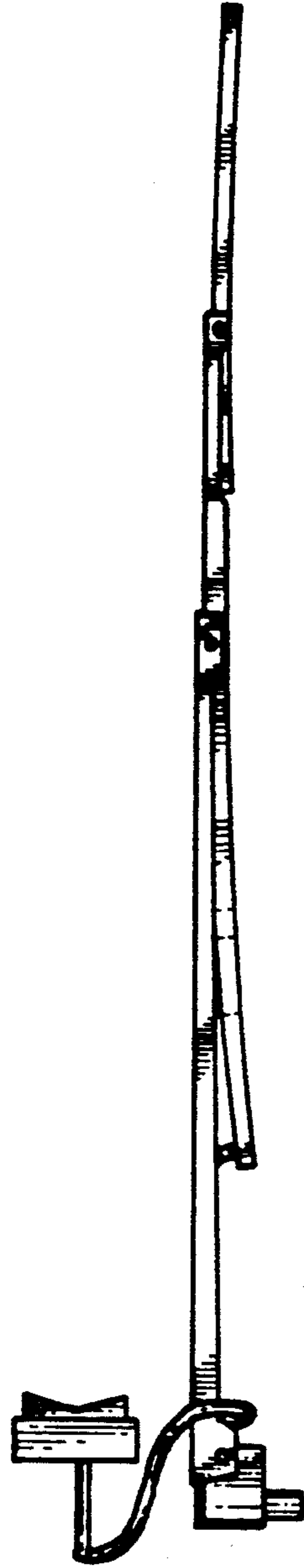


FIG. 4

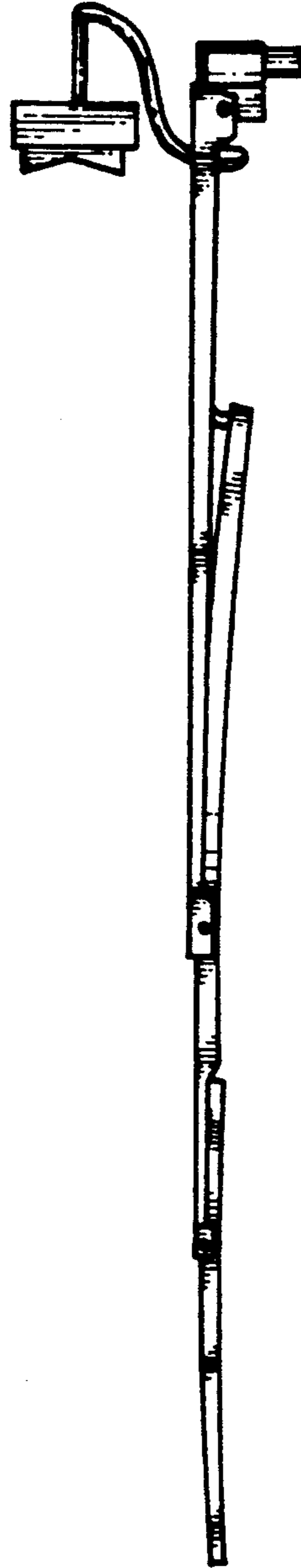


FIG. 5

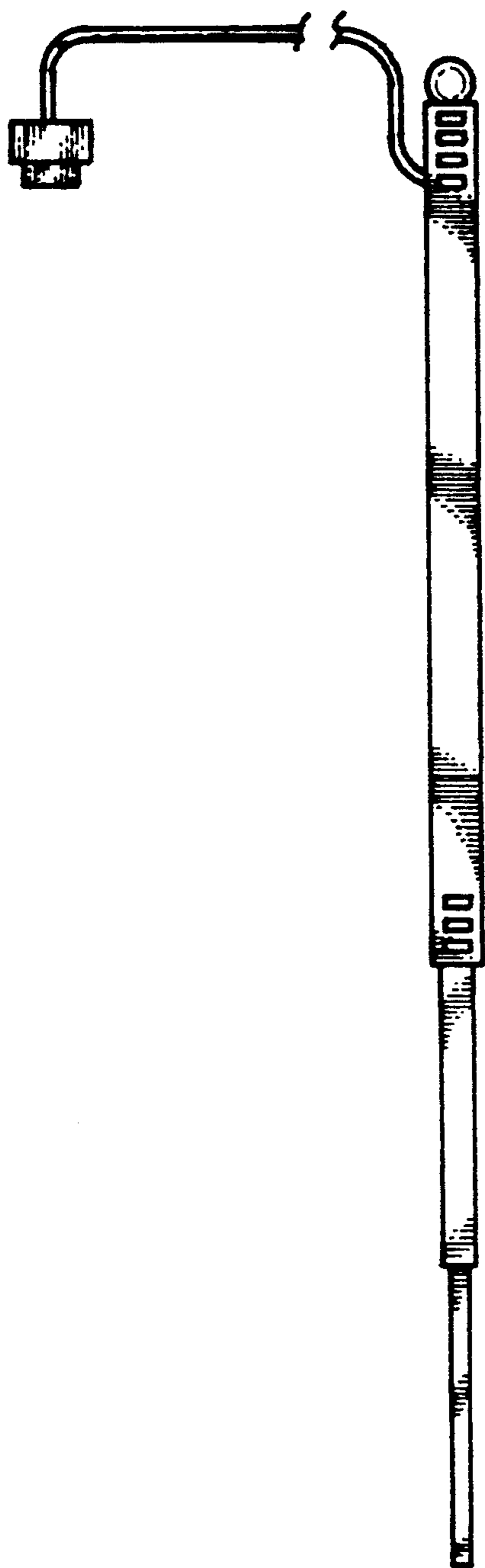


FIG. 6

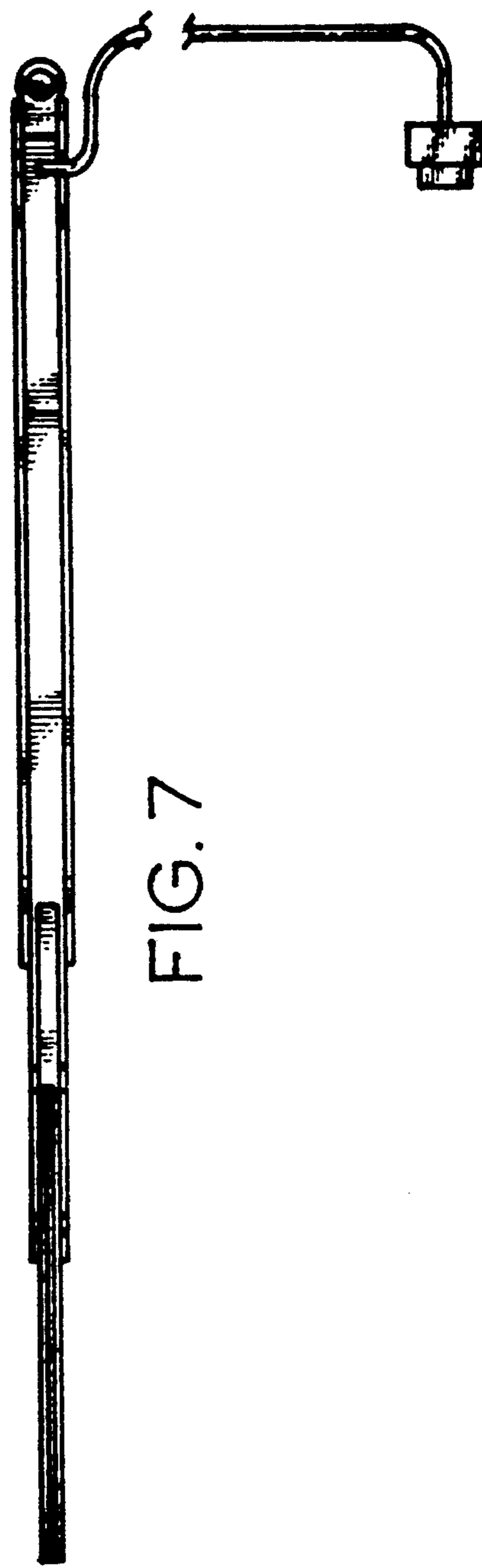


FIG. 7