



US00D341098S

United States Patent [19]

[11] Patent Number: **Des. 341,098**

Yodock

[45] Date of Patent: **** Nov. 9, 1993**

[54] **HIGHWAY BARRIER**

[75] Inventor: **Leo J. Yodock**, Bloomsburg, Pa.

[73] Assignee: **Rose Enterprises Inc.**, Bloomsburg, Pa.

[**] Term: **14 Years**

[21] Appl. No.: **600,218**

[22] Filed: **Oct. 18, 1990**

[52] U.S. Cl. **D10/109; D25/44**

[58] Field of Search **D25/112, 39, 44; 256/13.1, 24; 404/6; D10/113, 109, 110; 116/63 C, 63 T, 63 P**

[56] **References Cited**

U.S. PATENT DOCUMENTS

D. 193,597	9/1962	Van De Velde et al.	D10/109
D. 235,989	7/1975	Richardson	D25/44
3,732,653	5/1973	Pickett	256/19
3,917,232	11/1975	Lindner	D10/109
4,594,021	6/1986	Schäfer et al.	404/6
4,685,656	8/1987	Lee et al.	256/24
5,011,325	4/1991	Antonioli	256/13.1
5,022,781	6/1991	Smith	256/13.1

FOREIGN PATENT DOCUMENTS

58607 2/1990 Japan 256/13.1

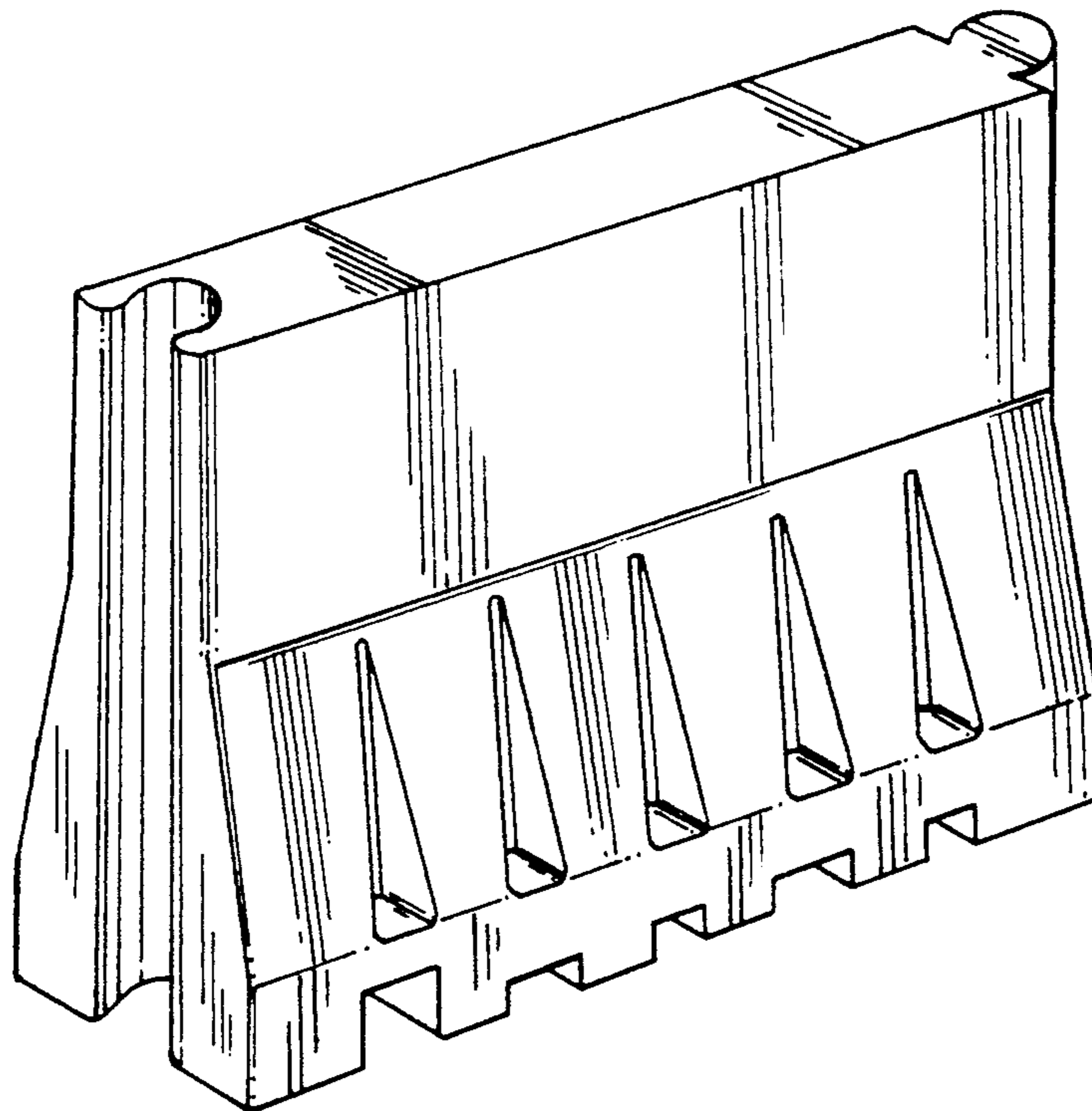
Primary Examiner—A. Hugo Word
Assistant Examiner—Doris Clark
Attorney, Agent, or Firm—Lerner, David, Littenberg, Krumholz & Mentlik

[57] **CLAIM**

The ornamental design for a highway barrier, as shown and described.

DESCRIPTION

FIG. 1 is a perspective view of a highway barrier showing my new design;
FIG. 2 is a left side, elevational view of the highway barrier shown in FIG. 1;
FIG. 3 is a right side, elevational view of the highway barrier shown in FIG. 1;
FIG. 4 is a front, elevational view of the highway barrier shown in FIG. 1;
FIG. 5 is a top, plan view of the highway barrier shown in FIG. 1; and,
FIG. 6 is a bottom, plan view of the highway barrier shown in FIG. 1.



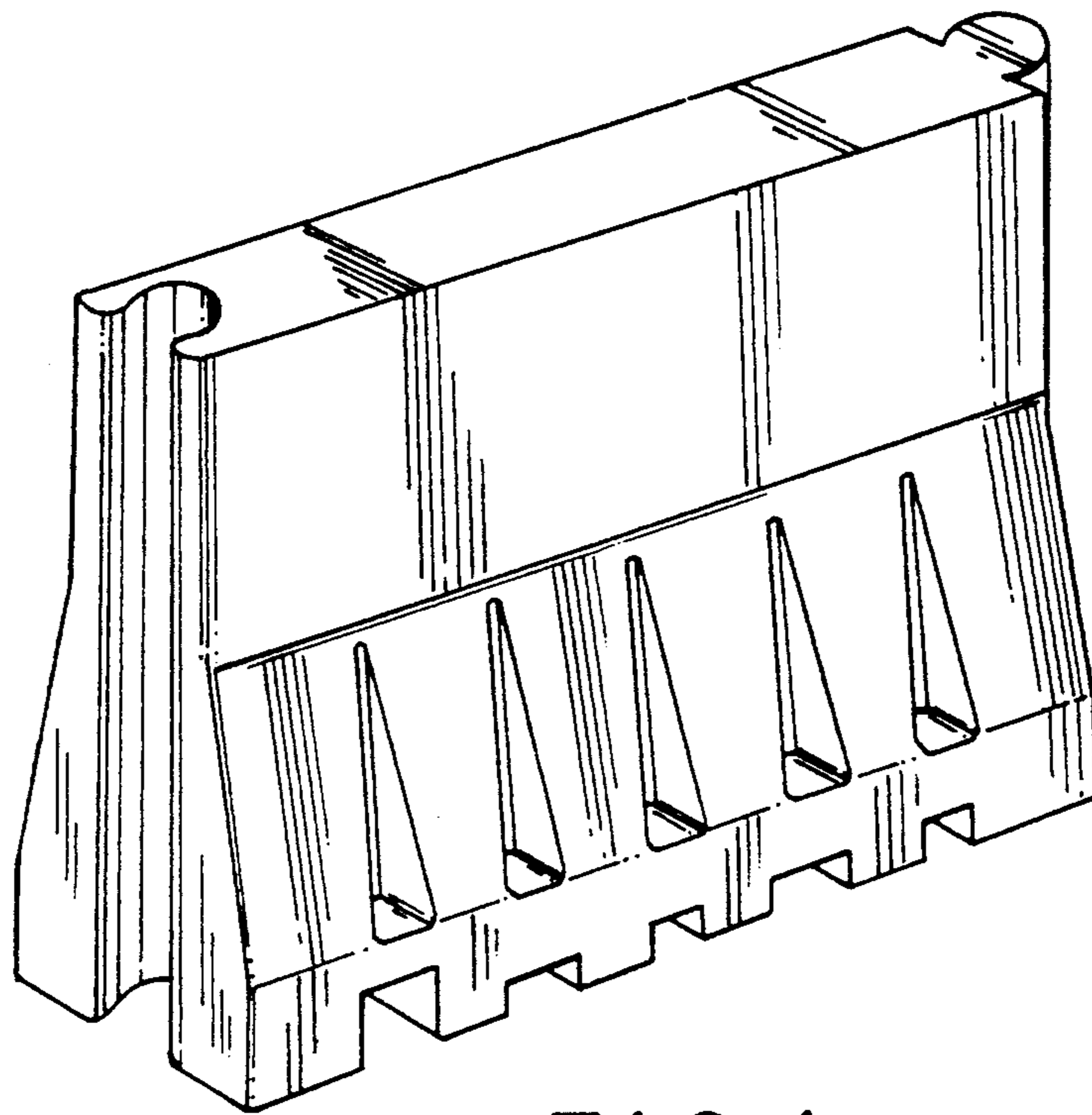


FIG. 1

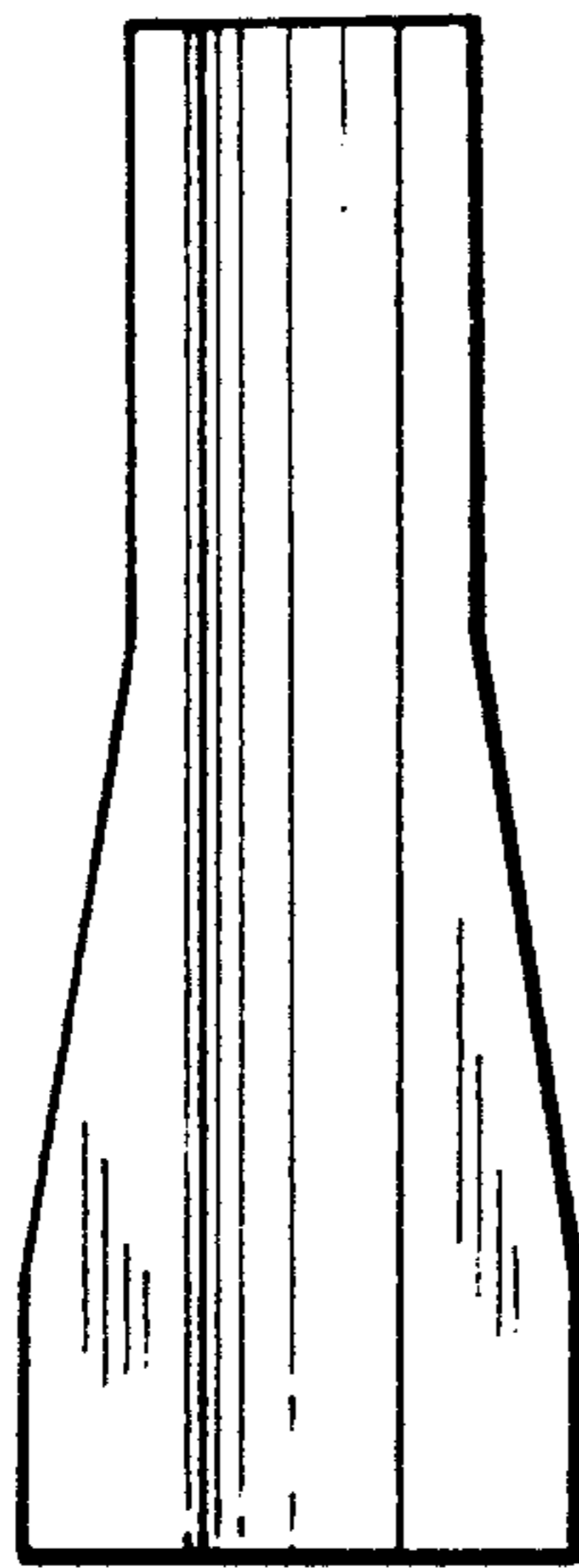


FIG. 2

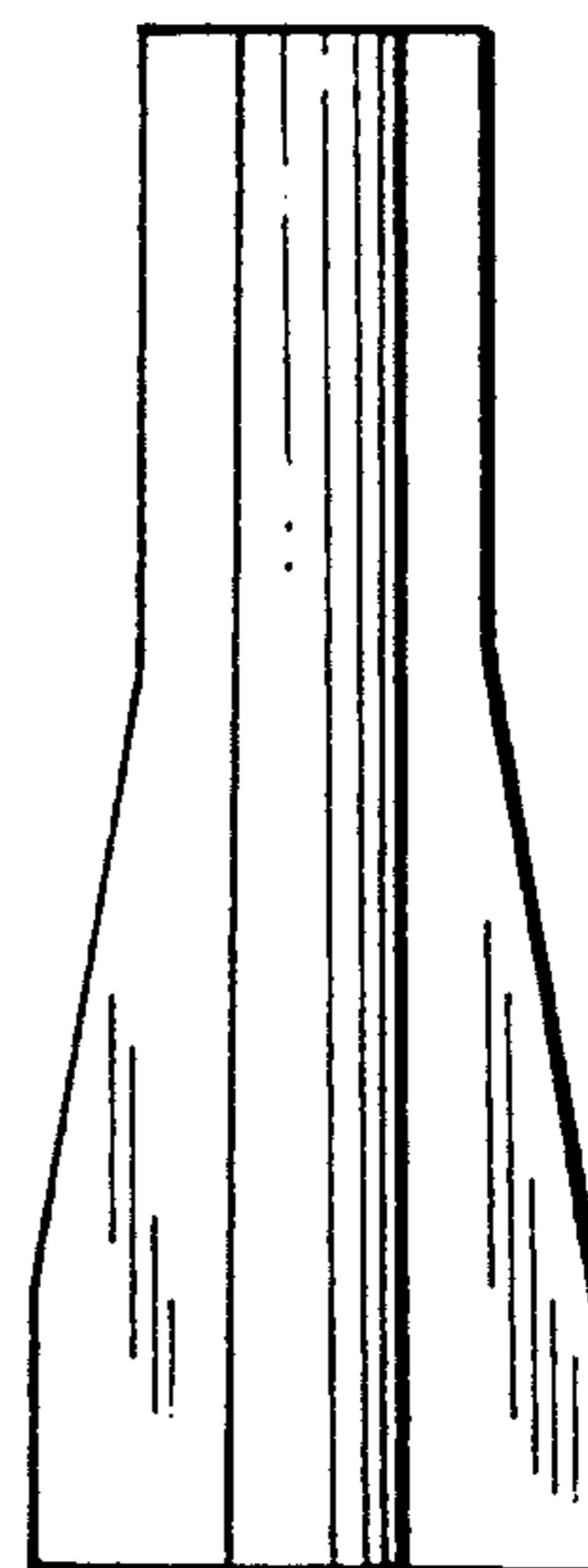


FIG. 3

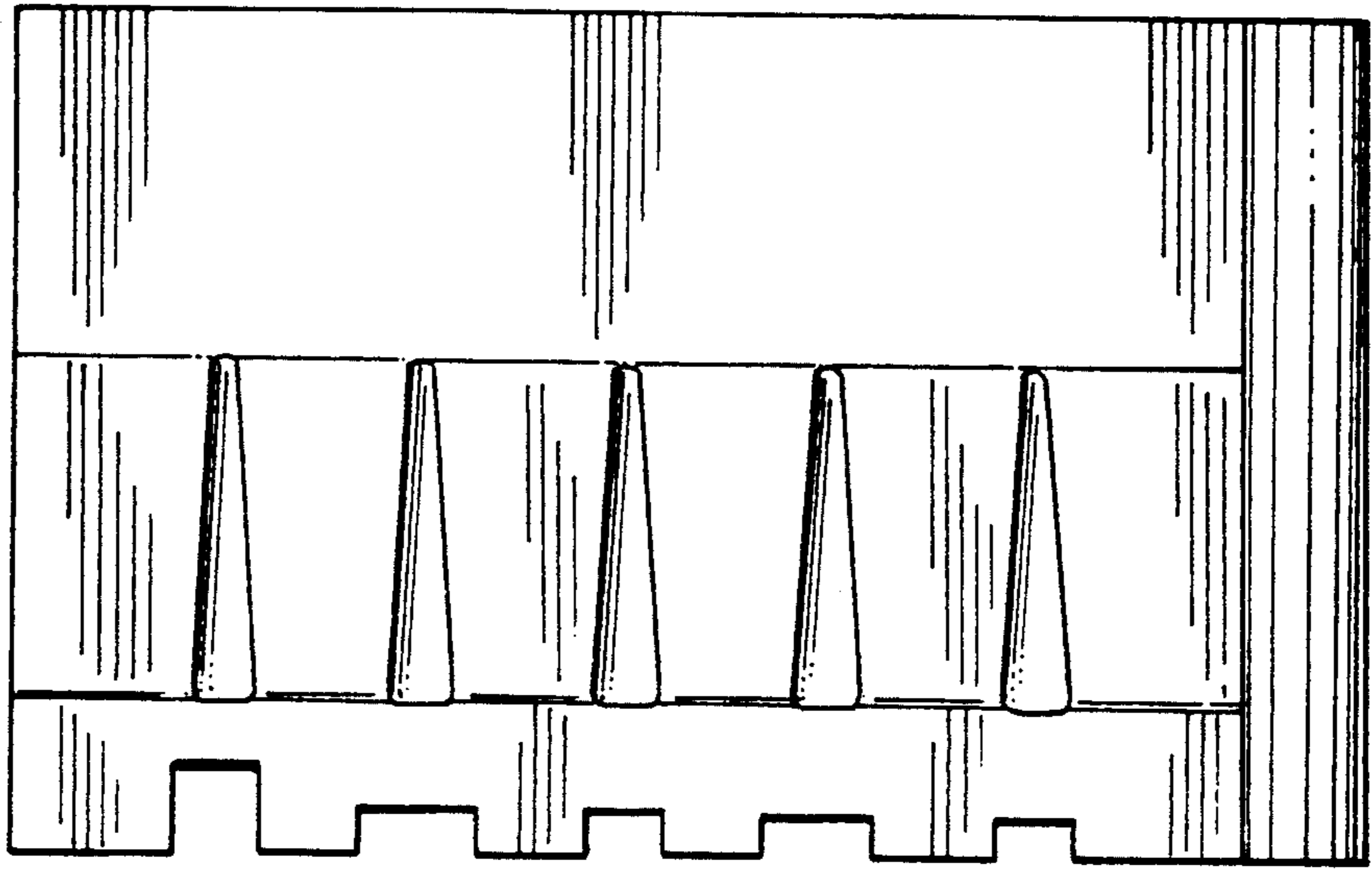


FIG. 4

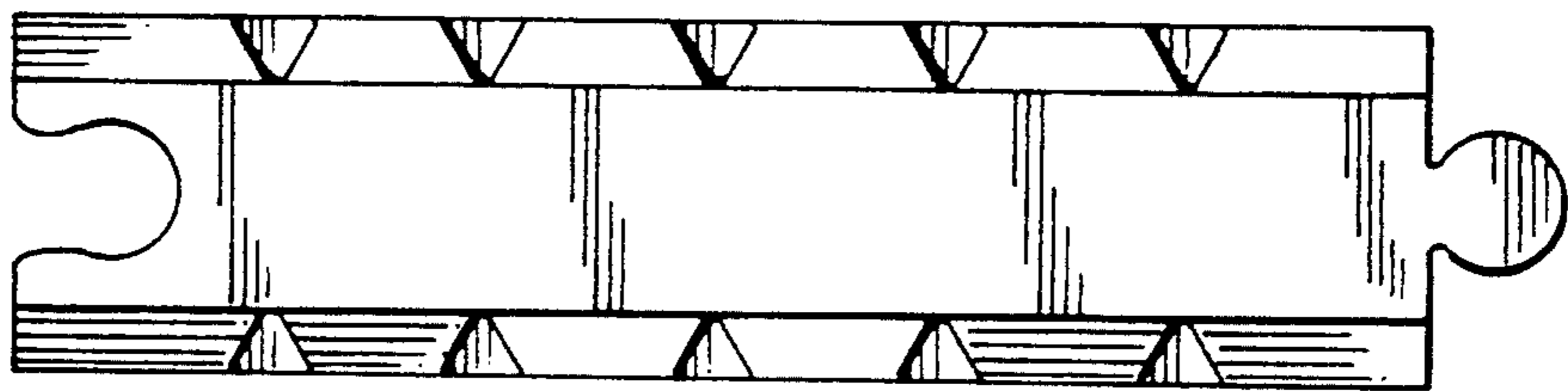


FIG. 5

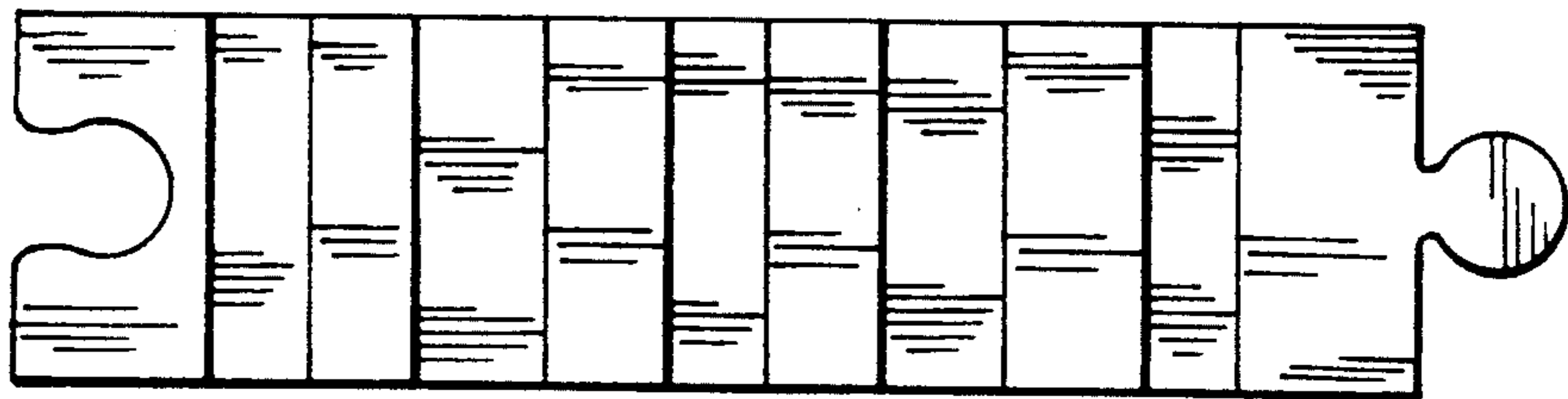


FIG. 6