



US00D341085S

United States Patent [19]

[11] Patent Number: **Des. 341,085**

Charbonneau et al.

[45] Date of Patent: **** Nov. 9, 1993**

- [54] TOP PORTION OF A BOTTLE
- [75] Inventors: **Guy L. Charbonneau, Lambert; Alan Bowler, Mississauga, both of Canada**
- [73] Assignee: **159747 Canada, Inc., Quebec, Canada**
- [**] Term: **14 Years**
- [21] Appl. No.: **629,345**
- [22] Filed: **Dec. 10, 1990**
- [52] U.S. Cl. **D9/524; D9/434**
- [58] Field of Search **D9/524, 523, 347, 341, D9/434, 527; 215/1 R, 1 C, 6, 31; 222/478, 479, 481; 210/264; D7/306, 310, 313**

- 4,259,184 3/1981 D'Arnal .
- 4,419,235 12/1983 Sway .
- 4,555,336 11/1985 Nugent et al. .
- 4,605,499 8/1986 Wise .
- 4,658,975 4/1987 Cone .
- 4,695,379 9/1987 Nohren, Jr. et al. .
- 4,714,550 12/1987 Malson et al. .
- 4,762,613 8/1988 Snowball .
- 4,764,274 8/1988 Miller .
- 4,805,808 2/1989 Larson .
- 4,856,664 8/1989 Gillispie et al. .
- 4,860,927 8/1989 Grinde .
- 4,880,140 11/1989 Solomon et al. .
- 4,969,571 11/1990 Bartz .
- 4,969,996 11/1990 Hankammer .

[56] **References Cited**
U.S. PATENT DOCUMENTS

- D. 86,749 4/1932 Sciuto D9/347
- D. 303,496 9/1989 Larson .
- D. 303,497 9/1989 Larson .
- D. 307,389 4/1990 Larson .
- D. 308,794 6/1990 Larson .
- D. 309,231 7/1990 Larson .
- 672,692 4/1901 Bailey .
- 690,457 1/1902 Parker .
- 707,873 8/1902 Spencer .
- 738,032 9/1903 Harrison .
- 1,019,171 3/1912 Melville-Hamilton .
- 1,157,776 10/1915 Hagg .
- 1,331,409 2/1920 Barnett .
- 2,372,340 3/1945 Senyal .
- 2,389,185 11/1945 Dick .
- 2,456,524 12/1948 Meincke, Jr. .
- 2,761,833 9/1956 Ward .
- 2,781,312 2/1957 Klumb et al. .
- 2,869,724 1/1959 McDevitt .
- 3,156,383 11/1964 Melli .
- 3,335,917 8/1967 Knight .
- 3,392,837 7/1968 Sanzenbacher .
- 3,422,993 1/1969 Boehm et al. .
- 3,840,153 10/1974 Devlin .
- 3,951,798 4/1976 Haldopoulos .
- 3,977,560 8/1976 Stumpf et al. .
- 4,024,991 5/1977 Tyson et al. .
- 4,044,923 8/1977 Gardner .
- 4,181,243 1/1980 Frahm .

FOREIGN PATENT DOCUMENTS

- 1465560 1/1967 France .
- 1565679 5/1969 France .

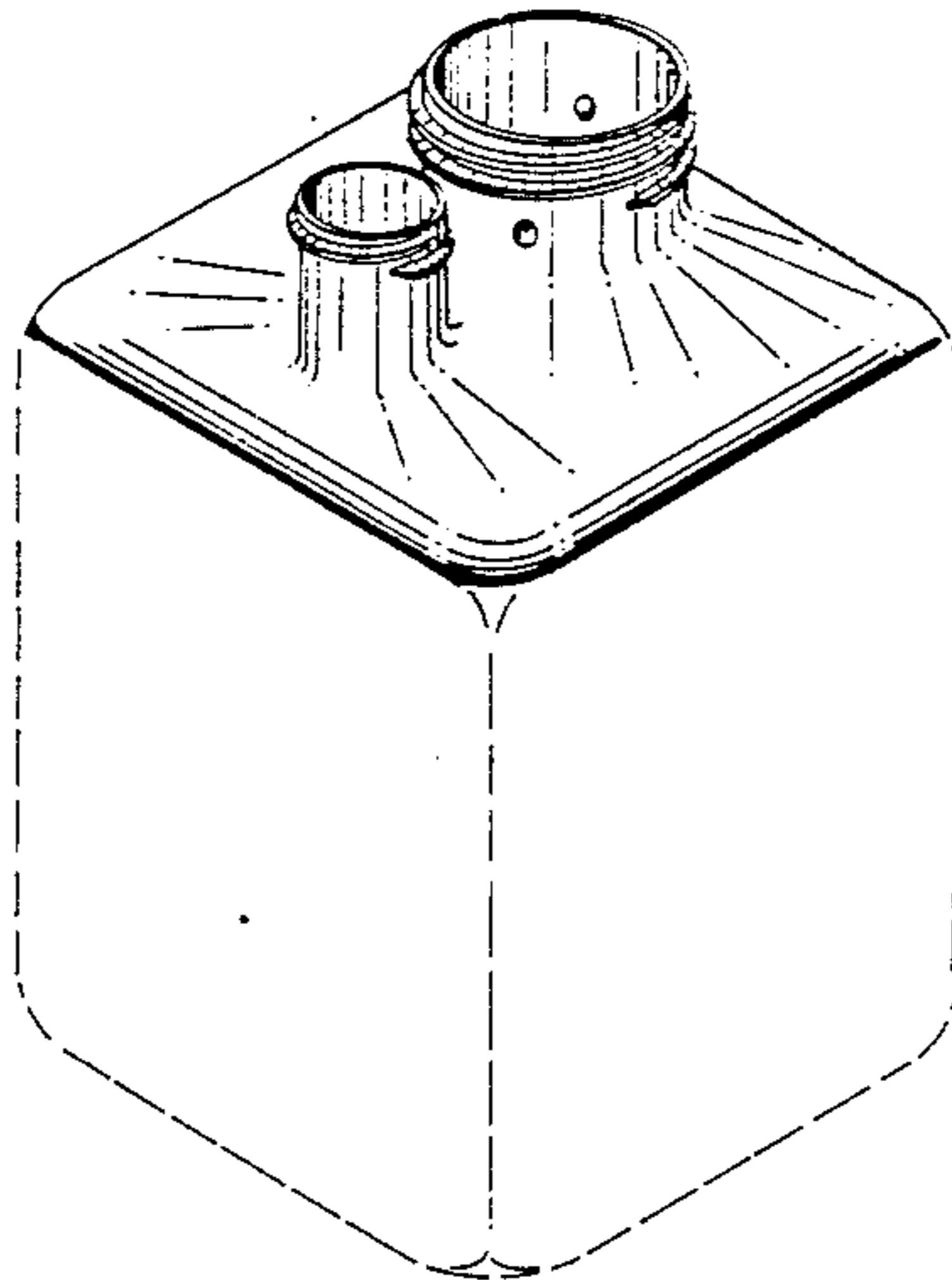
Primary Examiner—Bernard Ansher
Assistant Examiner—Lucy Lieberman
Attorney, Agent, or Firm—Burd, Bartz & Gutenkauf

[57] **CLAIM**

The ornamental design for a top portion of a bottle, as shown and described.

DESCRIPTION

FIG. 1 is a perspective view of a top portion of a bottle showing our new design;
 FIG. 2 is a front elevational view thereof;
 FIG. 3 is a rear elevational view thereof;
 FIG. 4 is a side elevational view thereof, the opposite side being a mirror image thereof;
 FIG. 5 is a top view thereof;
 FIG. 6 is a perspective view of a modified form of the top portion of a bottom;
 FIG. 7 is a front elevational view of FIG. 6;
 FIG. 8 is a rear elevational view of FIG. 6;
 FIG. 9 is a side elevational view of FIG. 6, the opposite side being a mirror image thereof; and,
 FIG. 10 is a top view of FIG. 6.
 The broken lines showing the body portion of a bottle are for illustrative purposes only and do not form part of the claimed design.



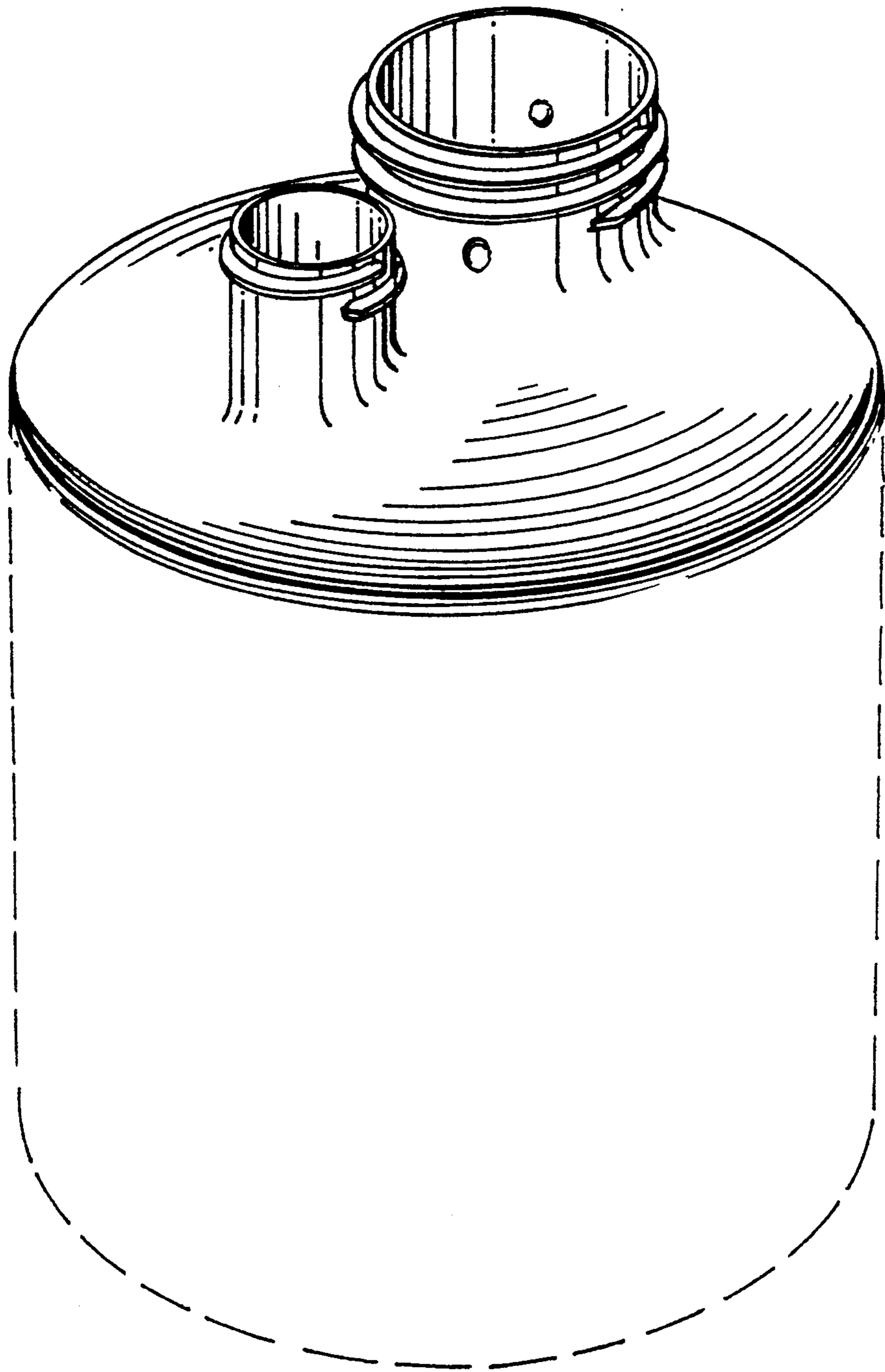


Fig. 1

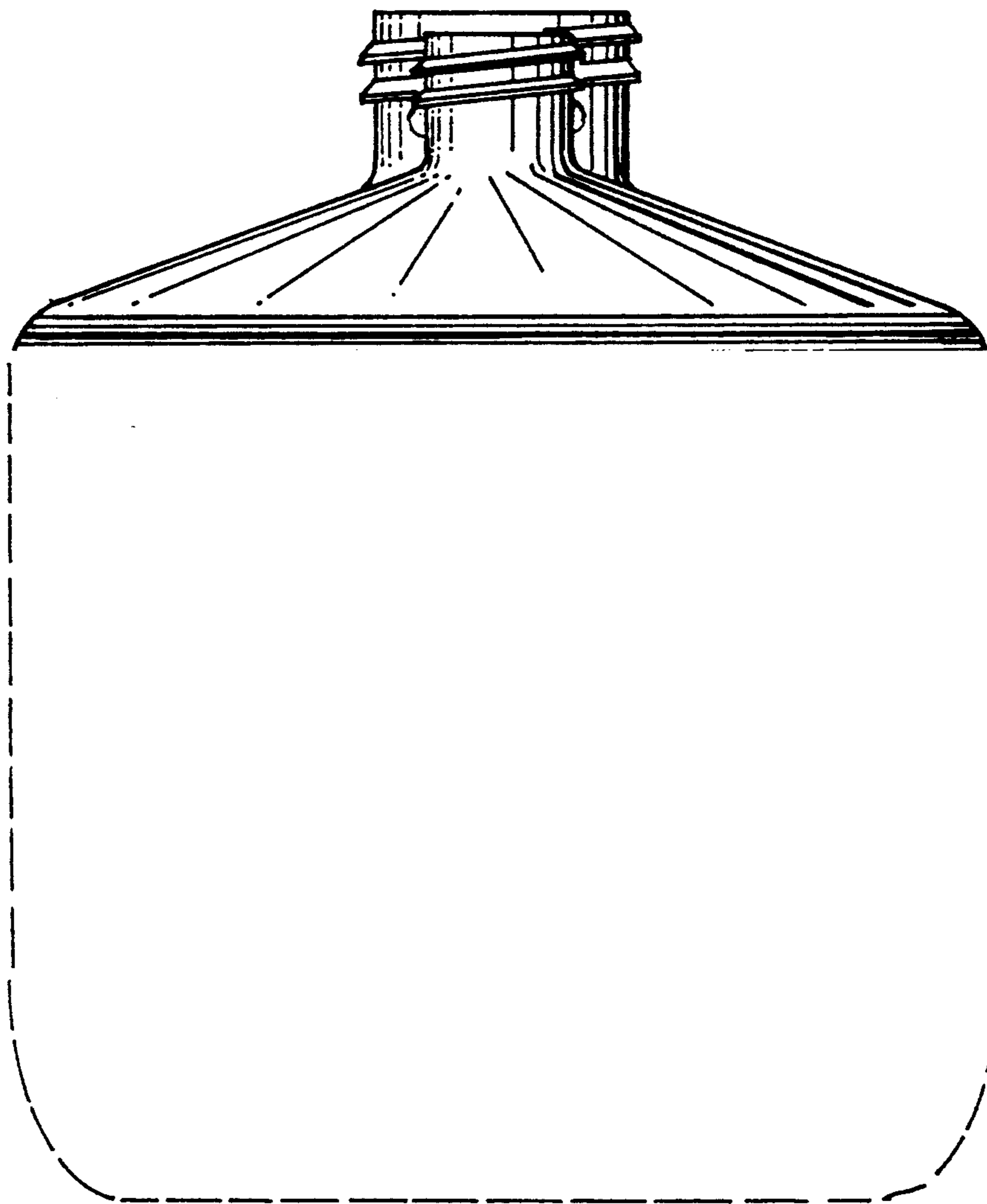


Fig. 2

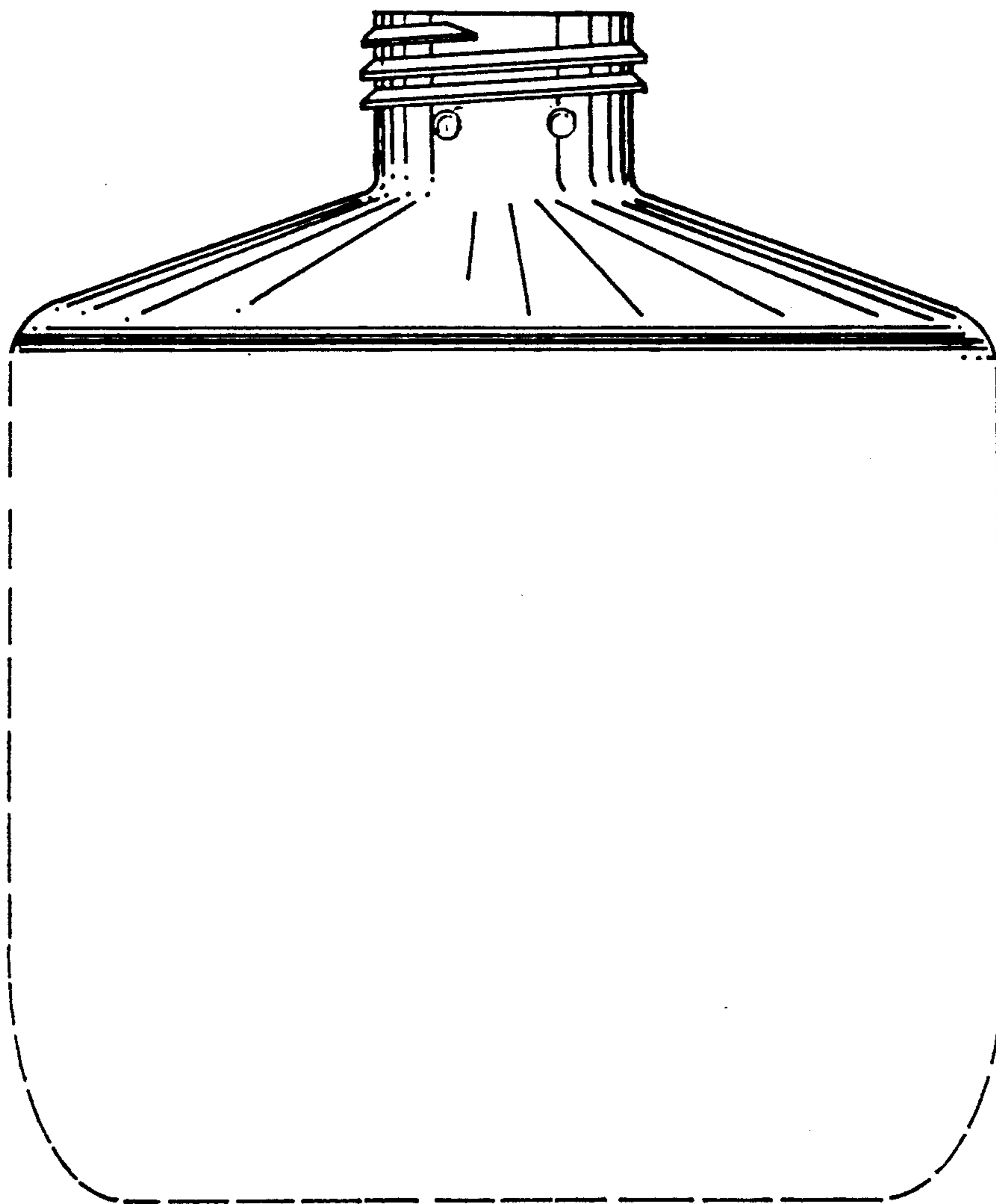


Fig. 3

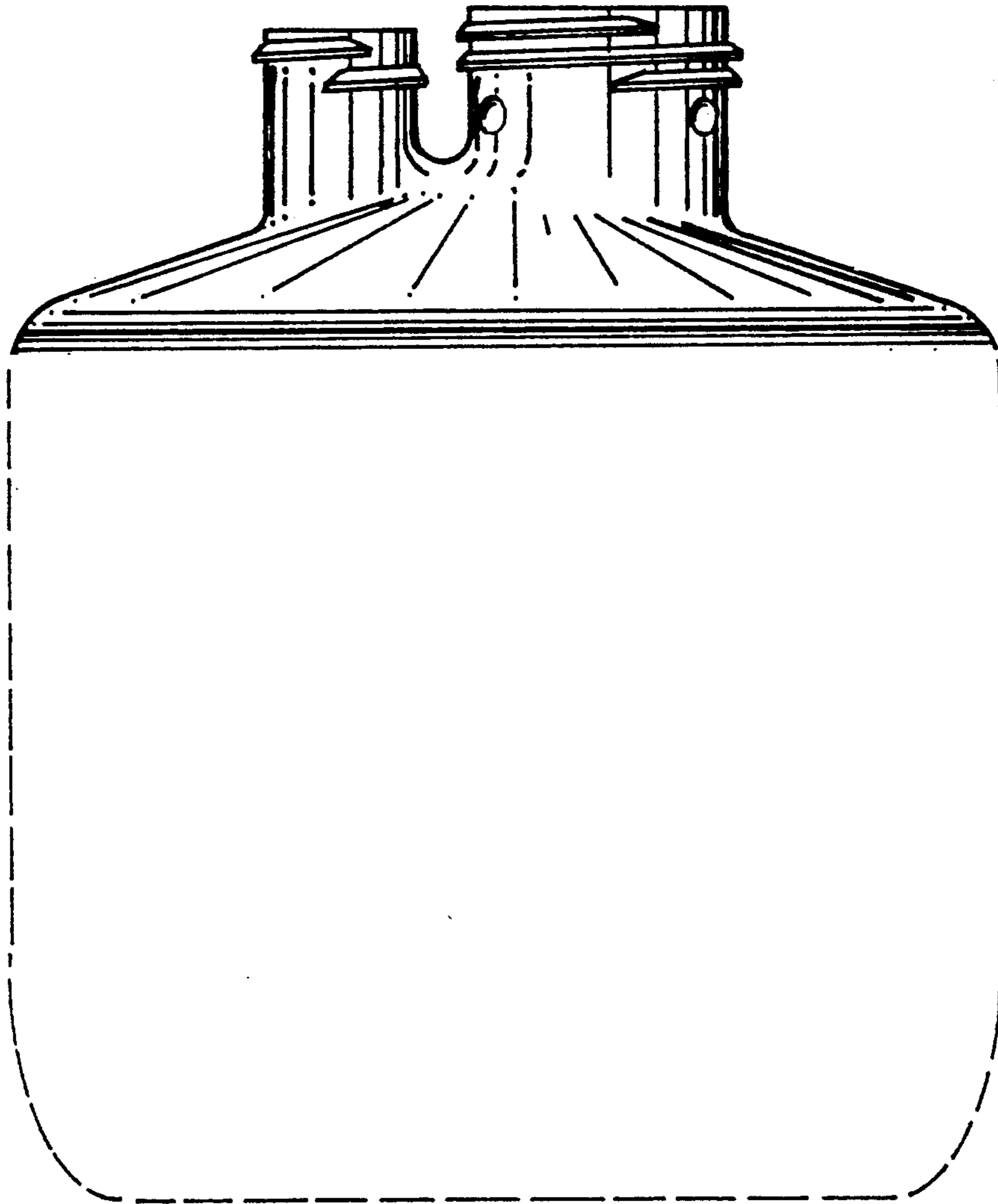


Fig. 4

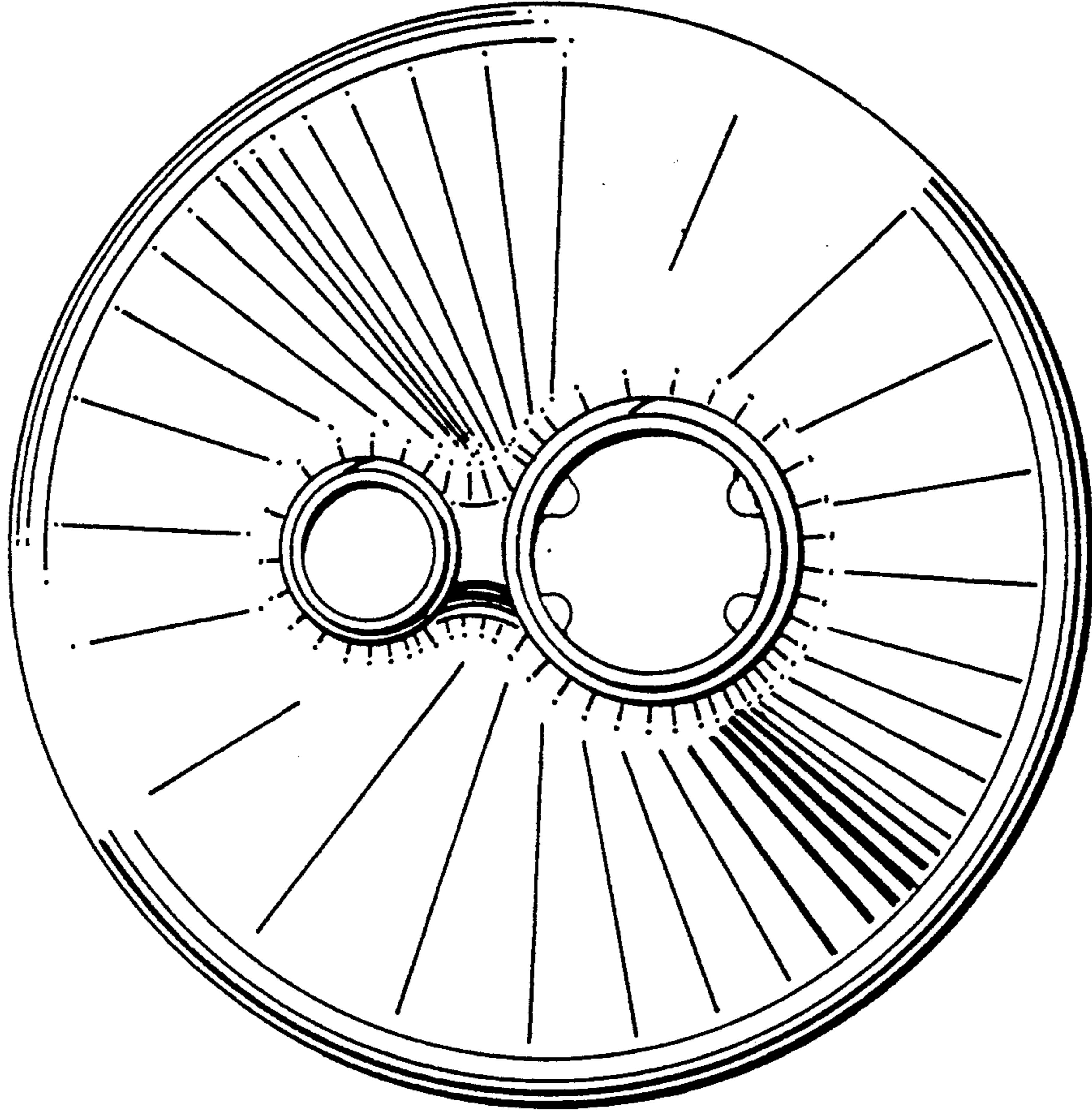


Fig. 5

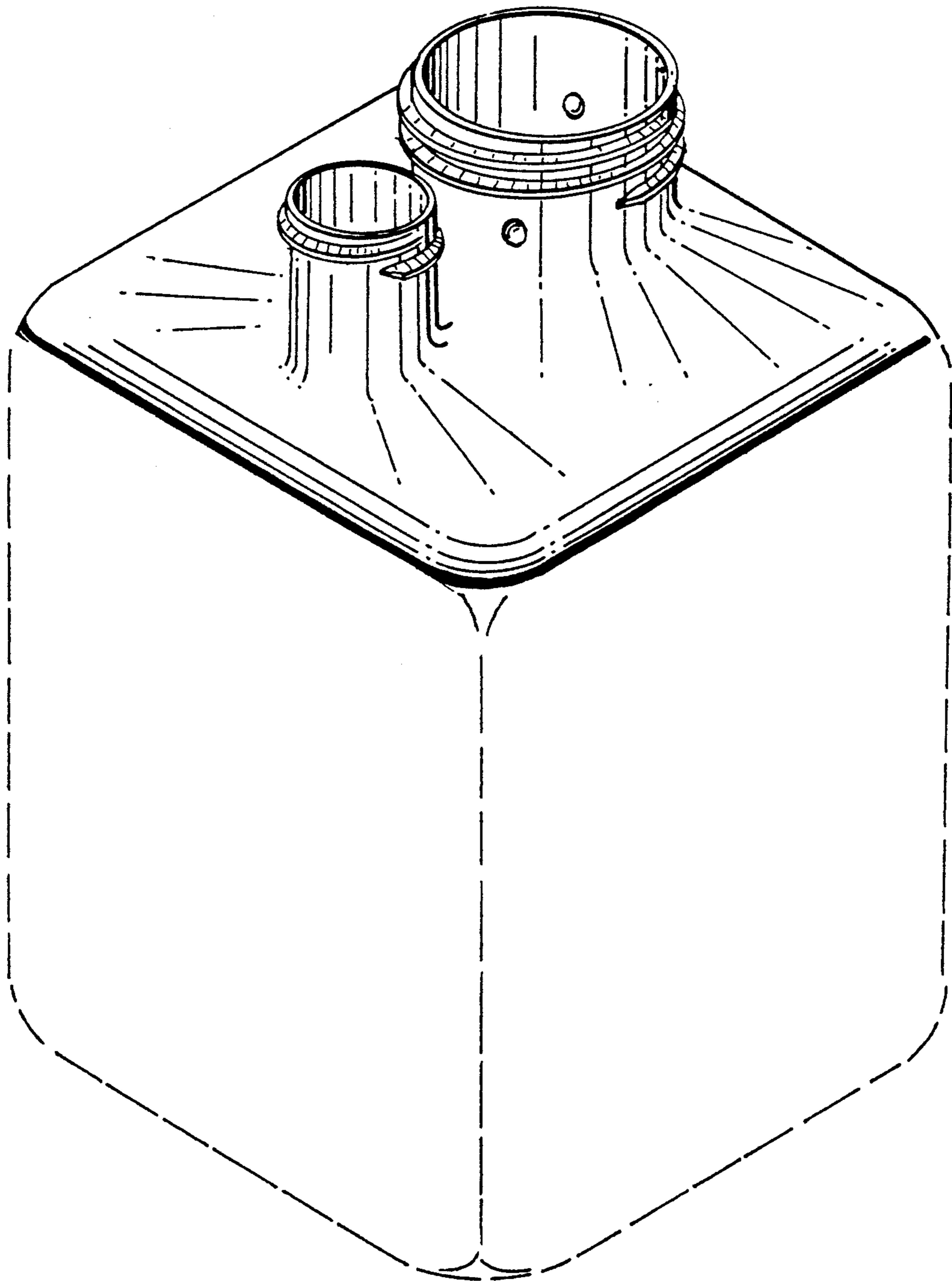


Fig. 6

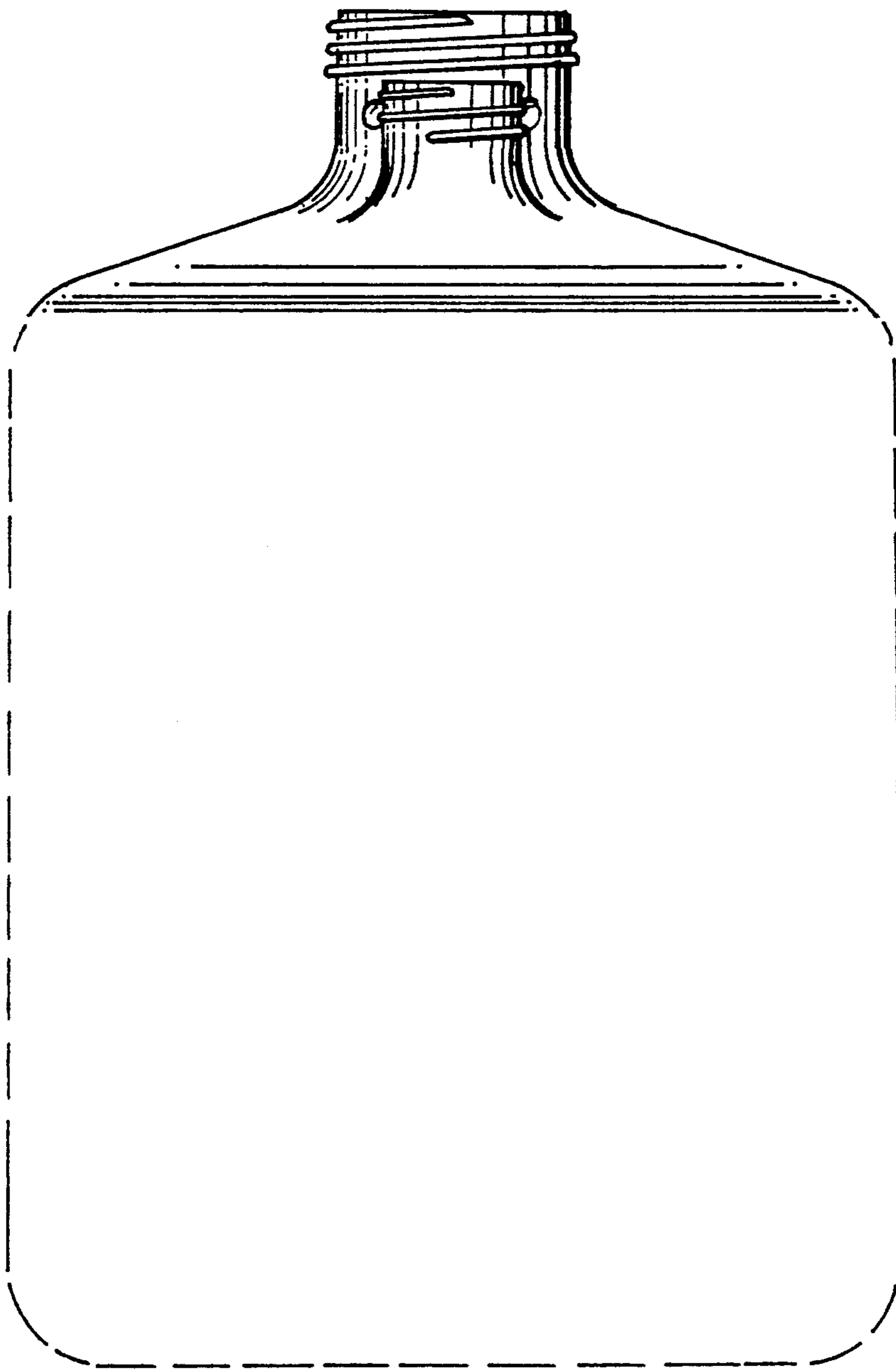


Fig. 7

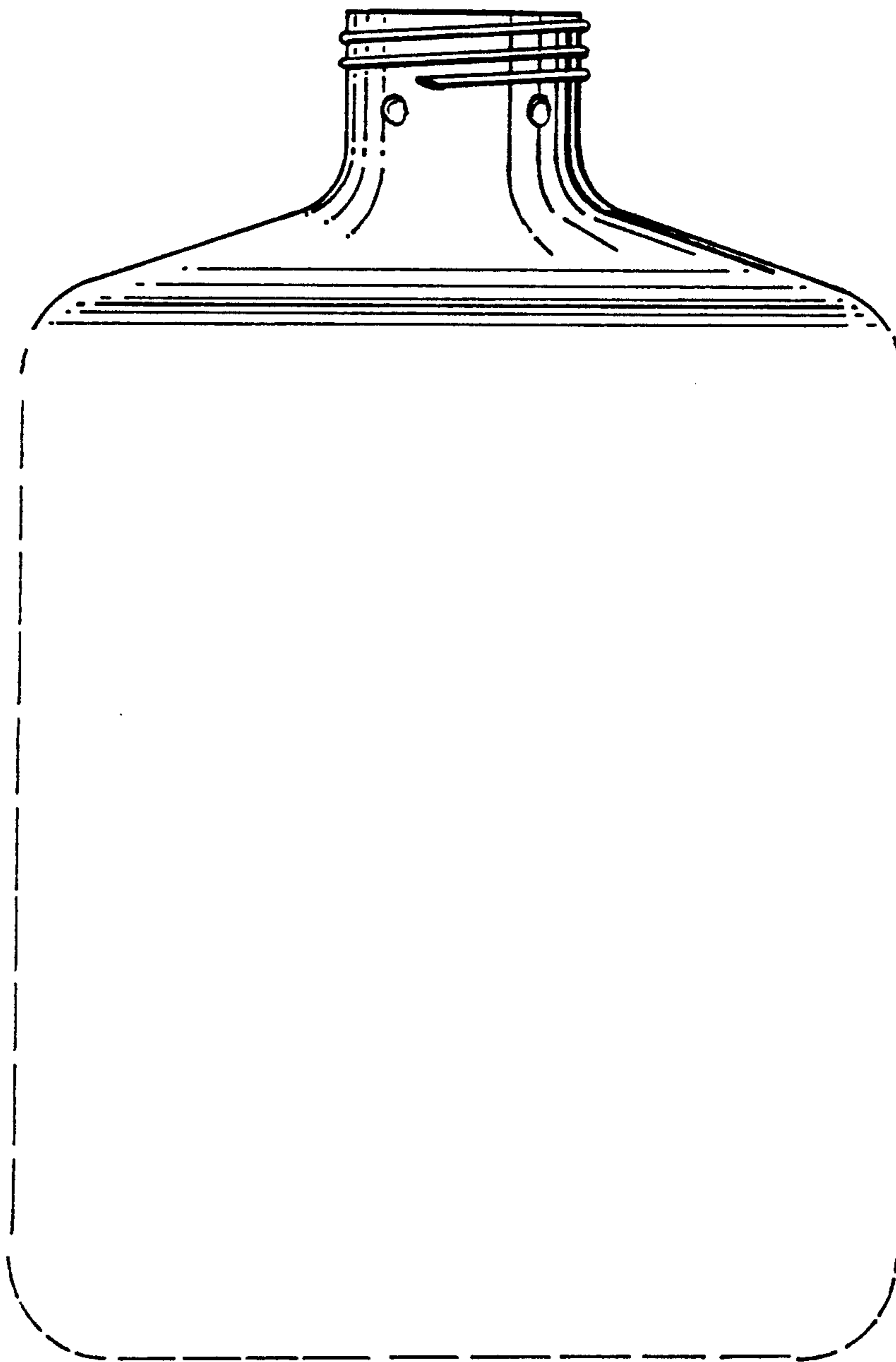


Fig. 8

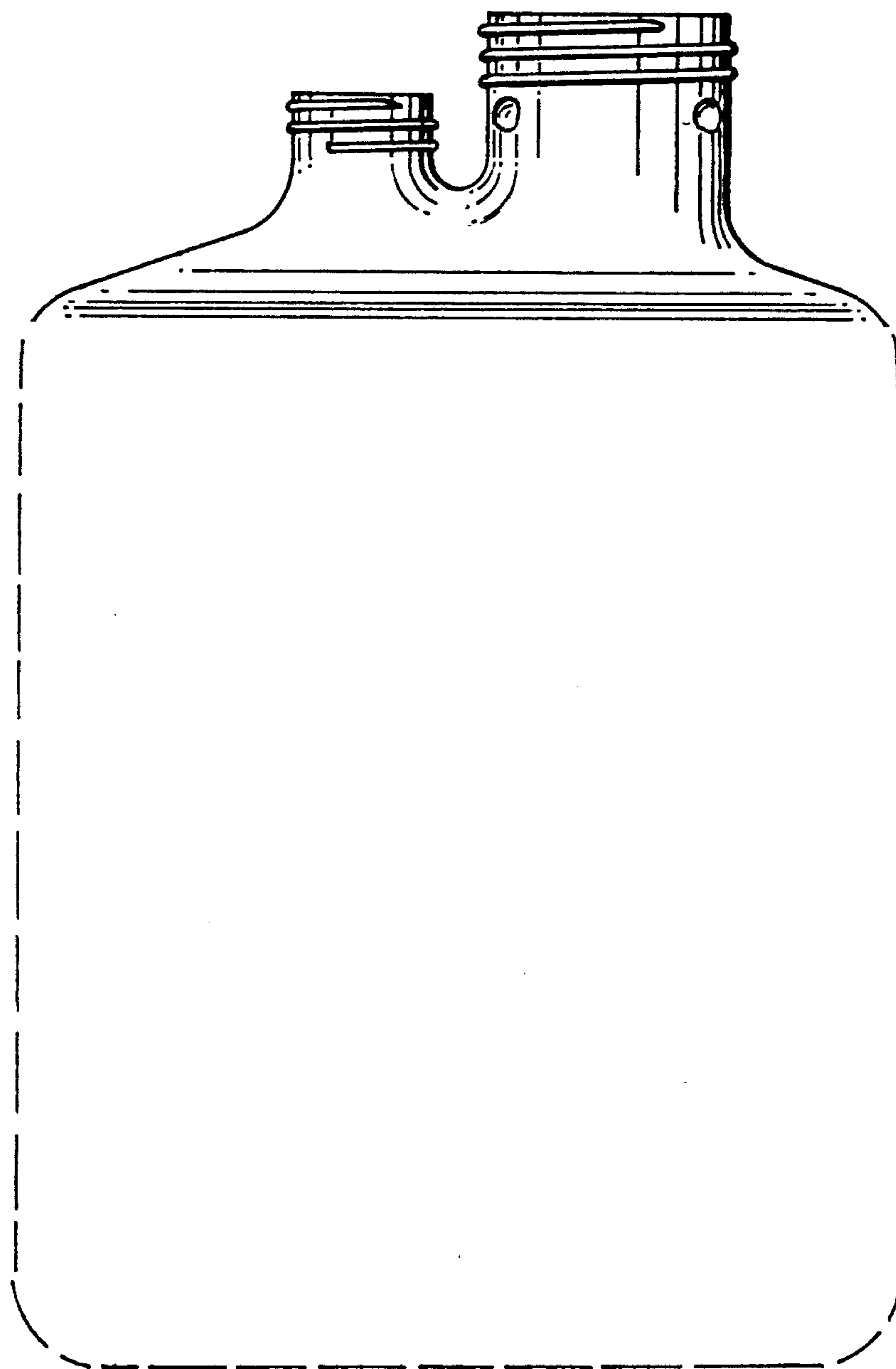


Fig. 9

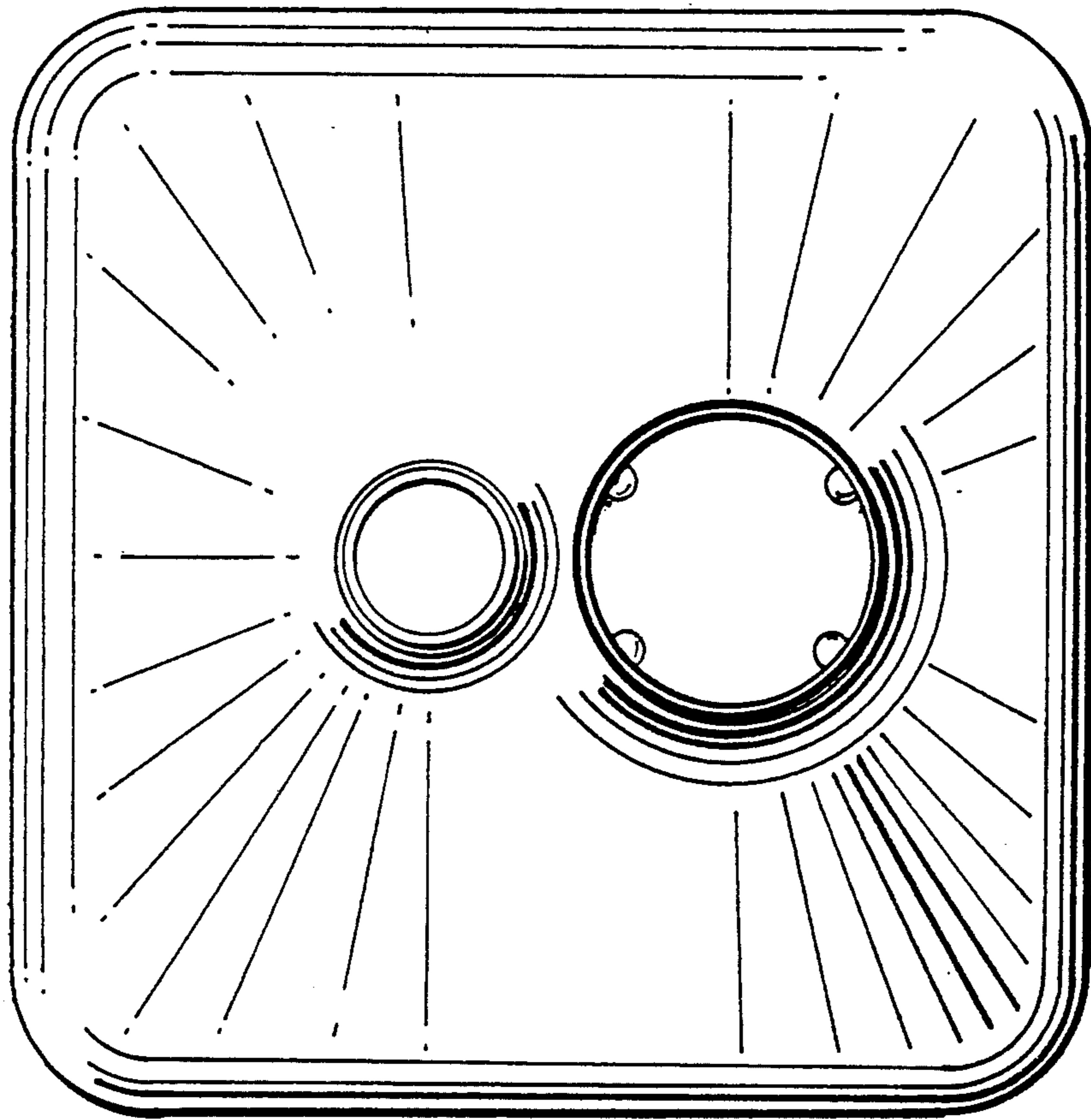


Fig. 10