



US00D341078S

# United States Patent [19]

[11] Patent Number: **Des. 341,078**

Saavedra

[45] Date of Patent: **\*\* Nov. 9, 1993**

[54] **CLIP FOR ROOF EAVES**

[76] Inventor: **Edward M. Saavedra**, 1654 Shadow Wood Rd., Reno, Nev. 89523

[\*\*] Term: **14 Years**

[21] Appl. No.: **491,619**

[22] Filed: **Mar. 12, 1990**

[52] U.S. Cl. .... **D8/395**

[58] Field of Search ..... **D8/382, 394, 395, 499; 24/336, 556, 563; 52/489, 582; 248/74.4, 316.7**

[56] **References Cited**

**U.S. PATENT DOCUMENTS**

D. 298,738	11/1988	Rumpel	.....	D8/395
D. 306,136	2/1990	Lund	.....	D8/395
D. 307,108	4/1990	Morita	.....	D8/395
4,017,943	4/1977	Moore	.....	24/336
4,067,536	1/1978	McBeth	.....	248/316.7
4,625,483	12/1986	Zacky et al.	.....	52/582
4,858,408	8/1989	Dunn	.....	52/489
4,858,409	8/1989	Handley et al.	.....	52/489
4,911,387	3/1990	Daiglo et al.	.....	248/74.4

**FOREIGN PATENT DOCUMENTS**

0807722	1/1959	United Kingdom	.....	24/563
---------	--------	----------------	-------	--------

*Primary Examiner*—Bernard Ansher

*Assistant Examiner*—Sandra Morris  
*Attorney, Agent, or Firm*—Herbert C. Schulze

[57] **CLAIM**

The ornamental design for a clip for roof eaves, as shown and described.

**DESCRIPTION**

FIG. 1 is a perspective view of a clip for roof eaves, showing my new design, the roof shown in broken lines platform;

FIG. 2 is a right side elevation thereof;

FIG. 3 is a front elevation thereof;

FIG. 4 is a rear elevation thereof;

FIG. 5 is a top plan thereof;

FIG. 6 is a left side elevation thereof;

FIG. 7 is a bottom plan thereof;

FIG. 8 is a perspective view of the second embodiment of the design shown in FIG. 1;

FIG. 9 is a left side elevational view of FIG. 8, the right side being a mirror image;

FIG. 10 is a rear elevational view of FIG. 8;

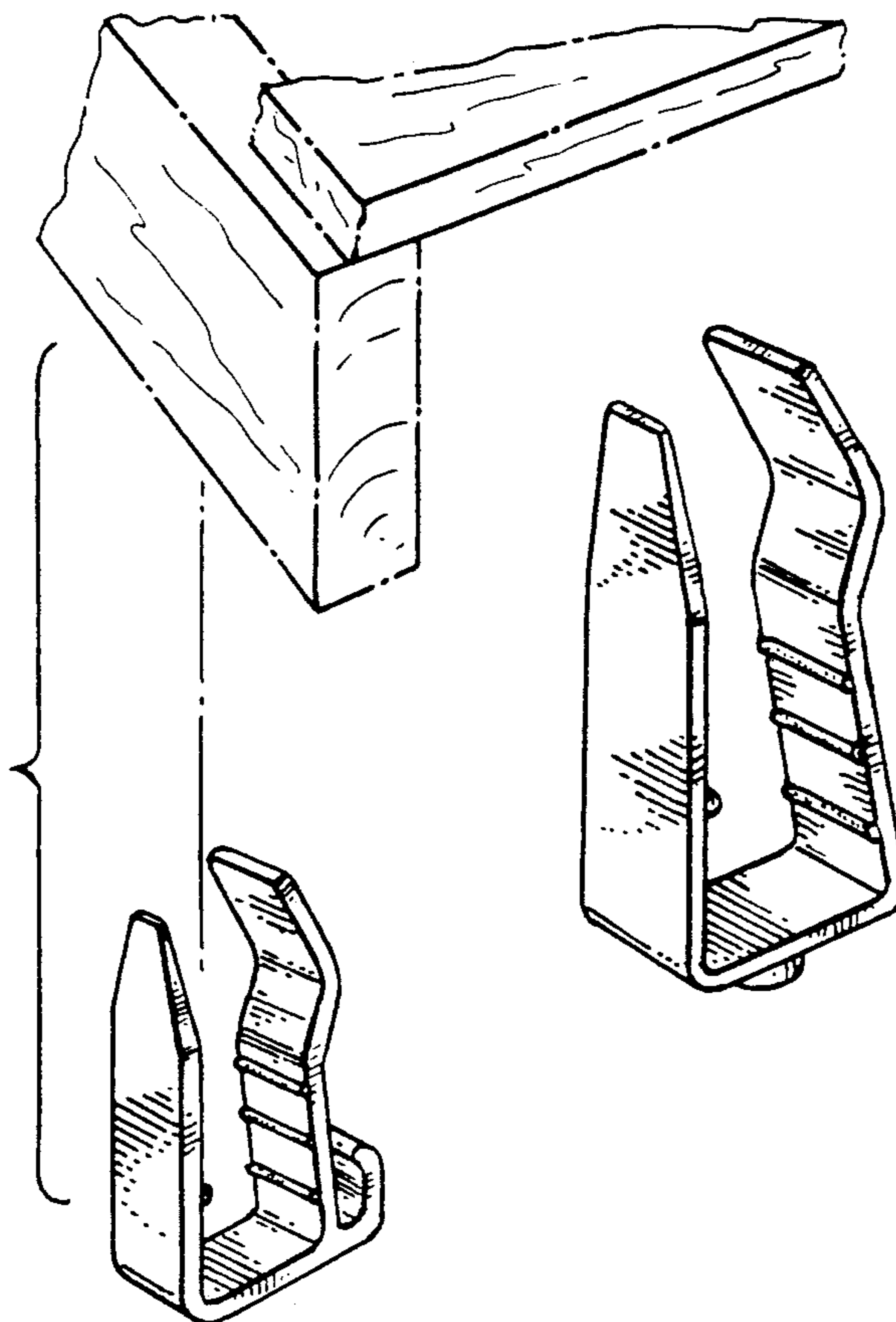
FIG. 11 is a bottom plan view of FIG. 8;

FIG. 12 is a perspective of a third embodiment of the design shown in FIG. 1;

FIG. 13 is a left side elevational view of FIG. 12, the right side being a mirror image;

FIG. 14 is a rear elevational view of FIG. 12; and,

FIG. 15 is a bottom plan view of FIG. 12.



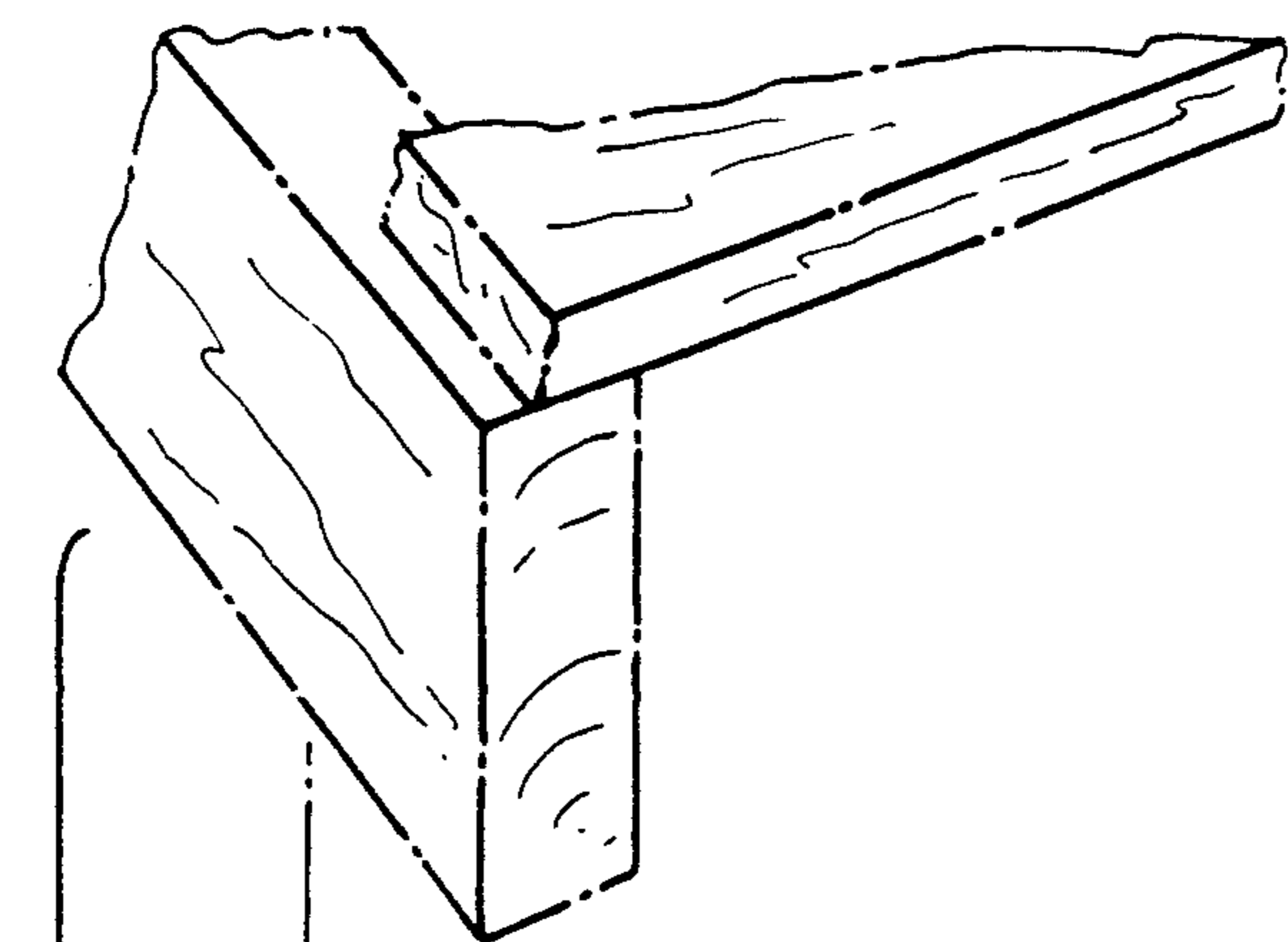


FIG. 1.

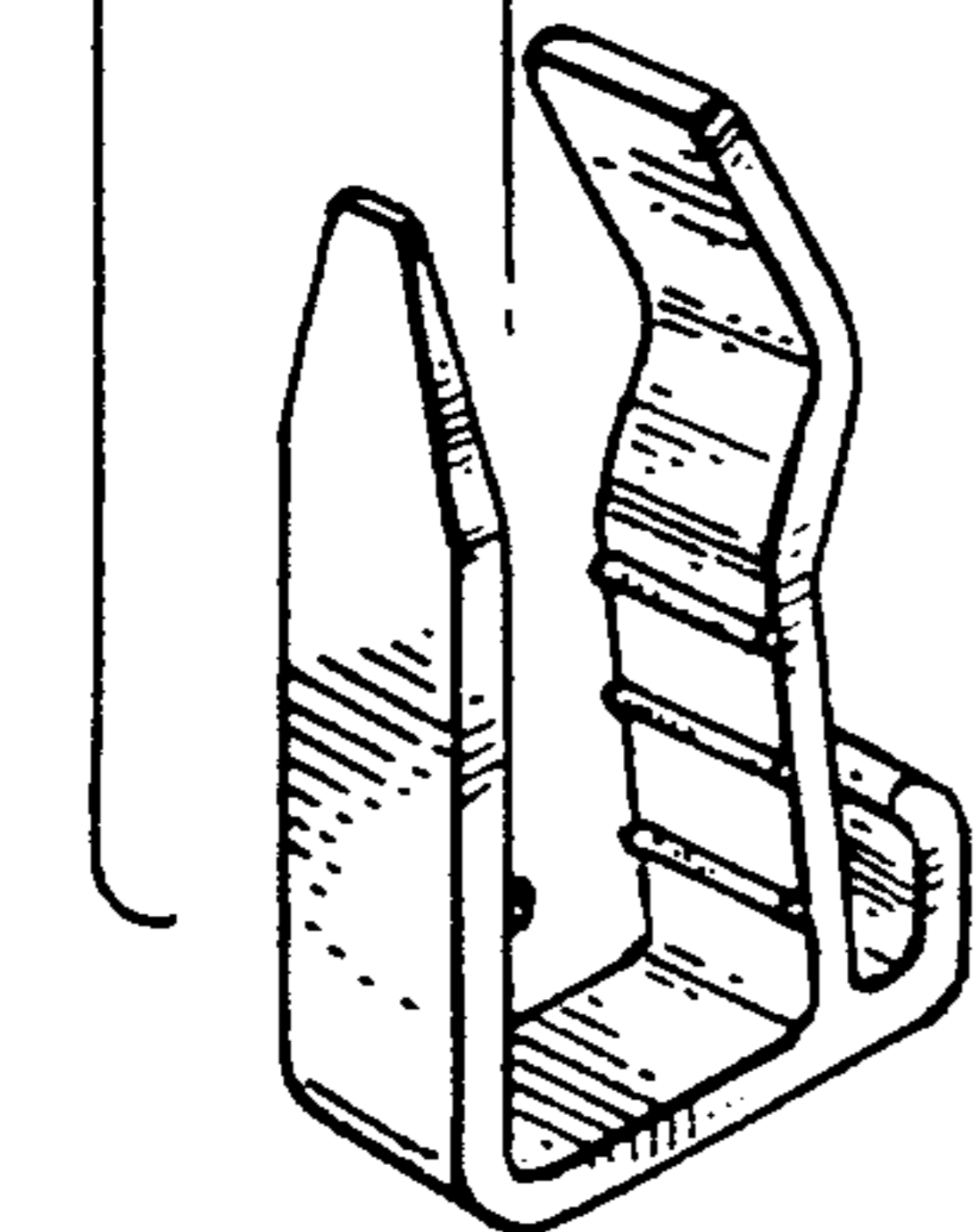


FIG. 5.



FIG. 3.

FIG. 2.

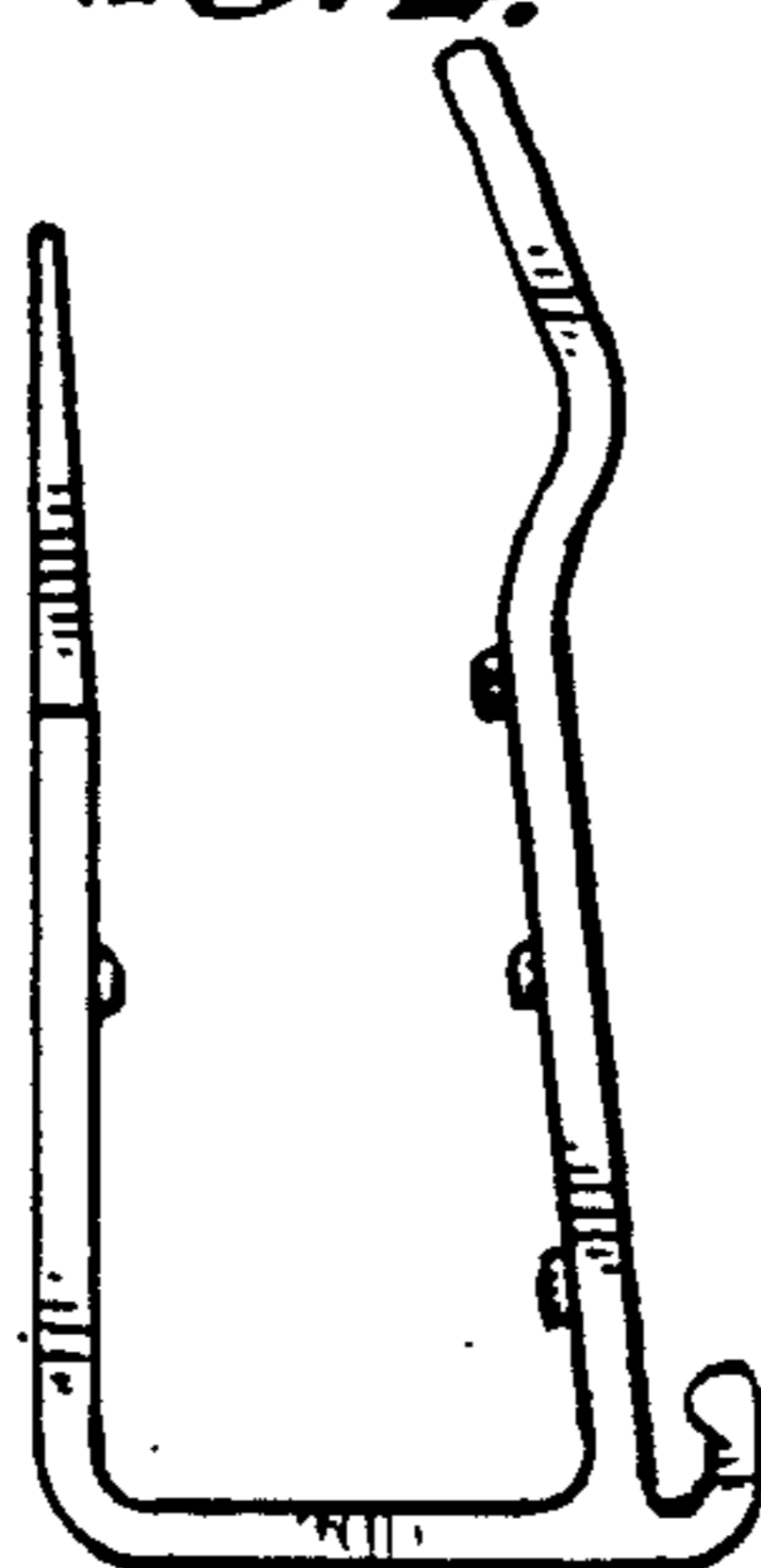


FIG. 4.

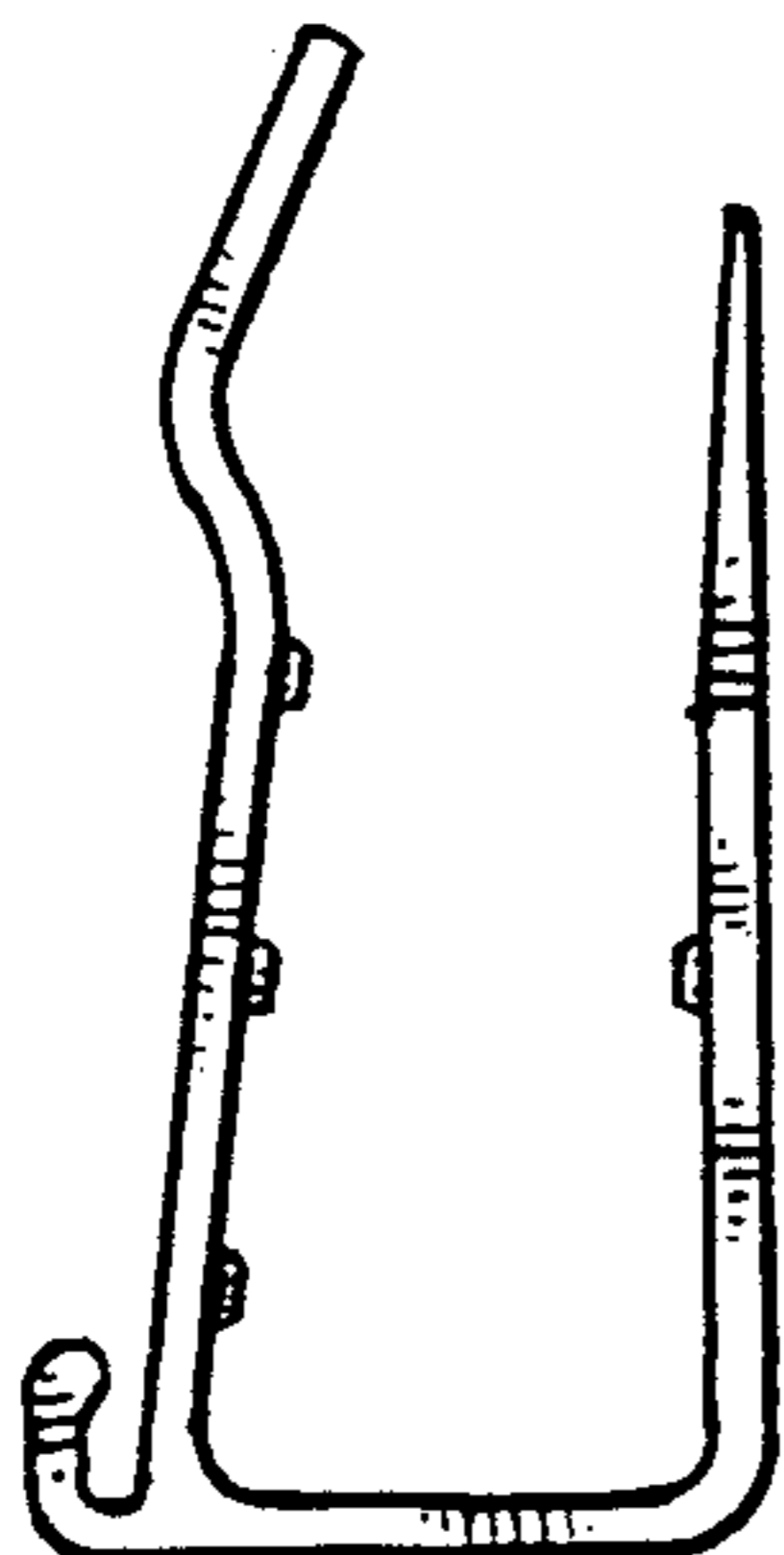


FIG. 6.

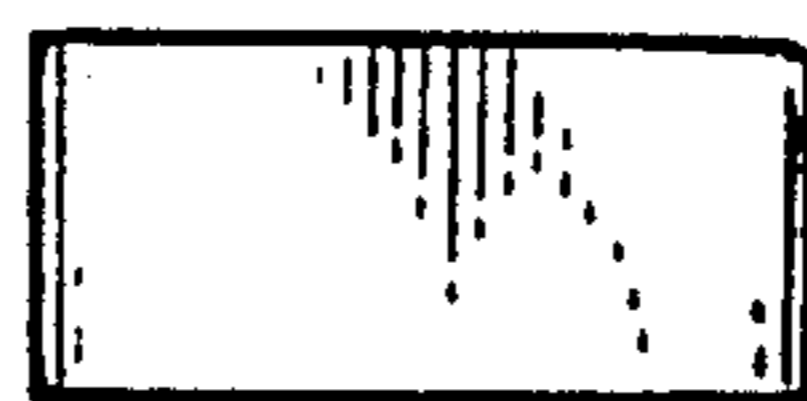
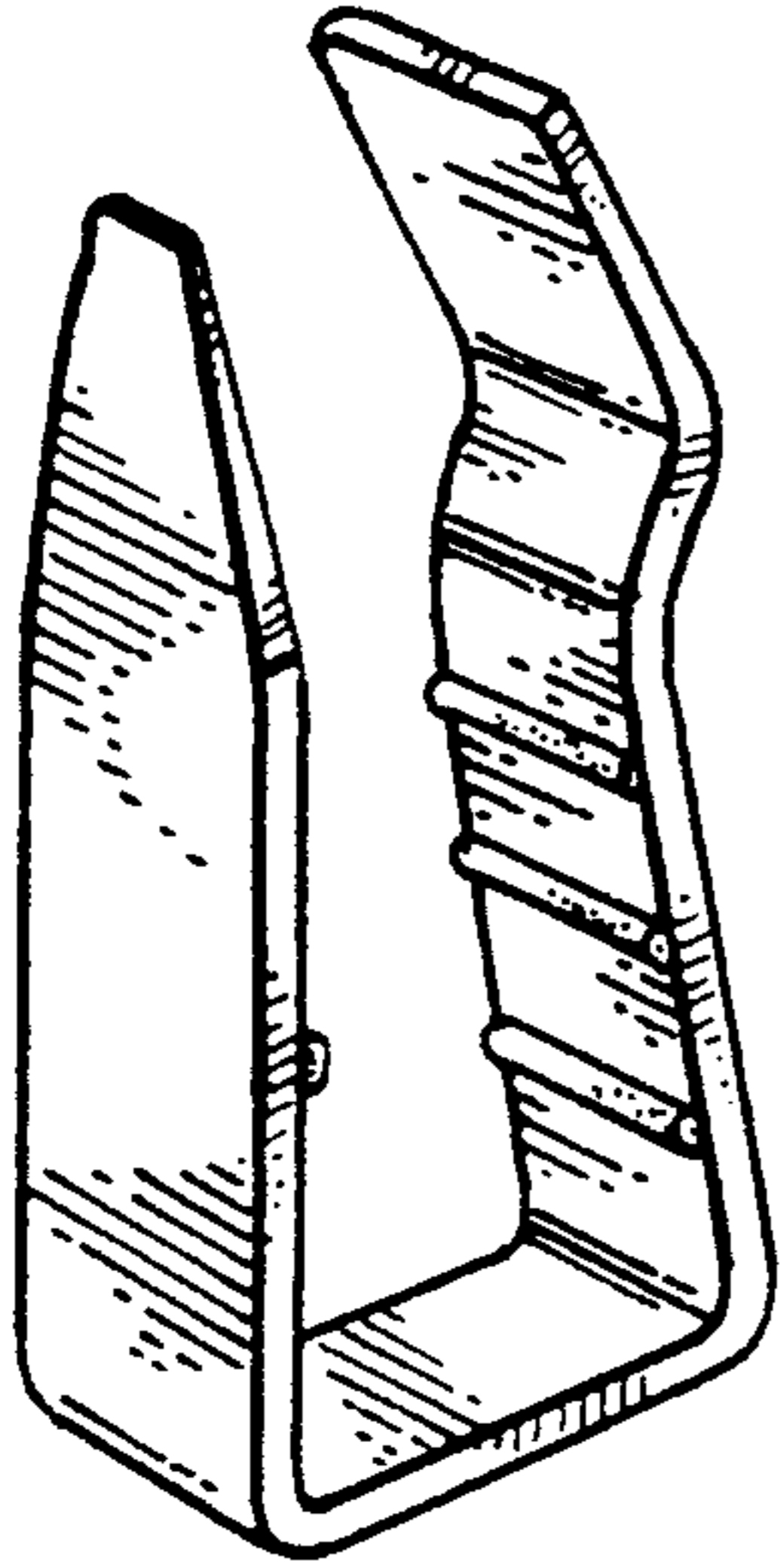


FIG. 7.

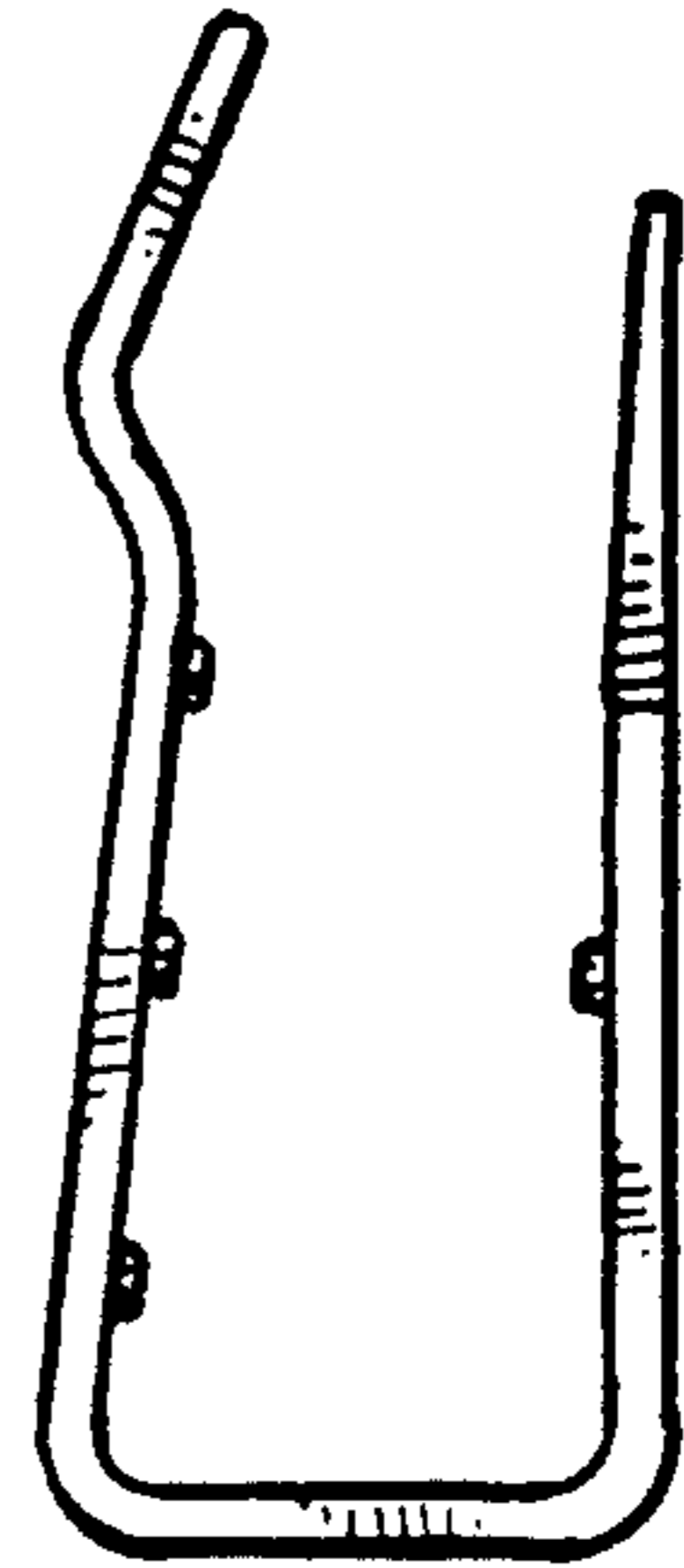
*FIG. 8.*



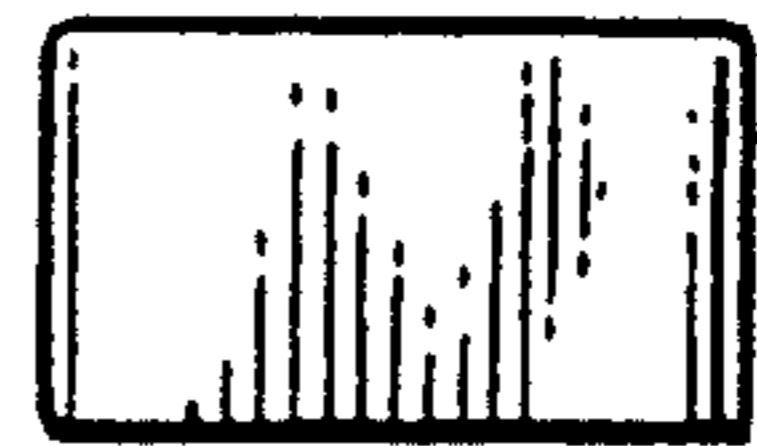
*FIG. 10.*



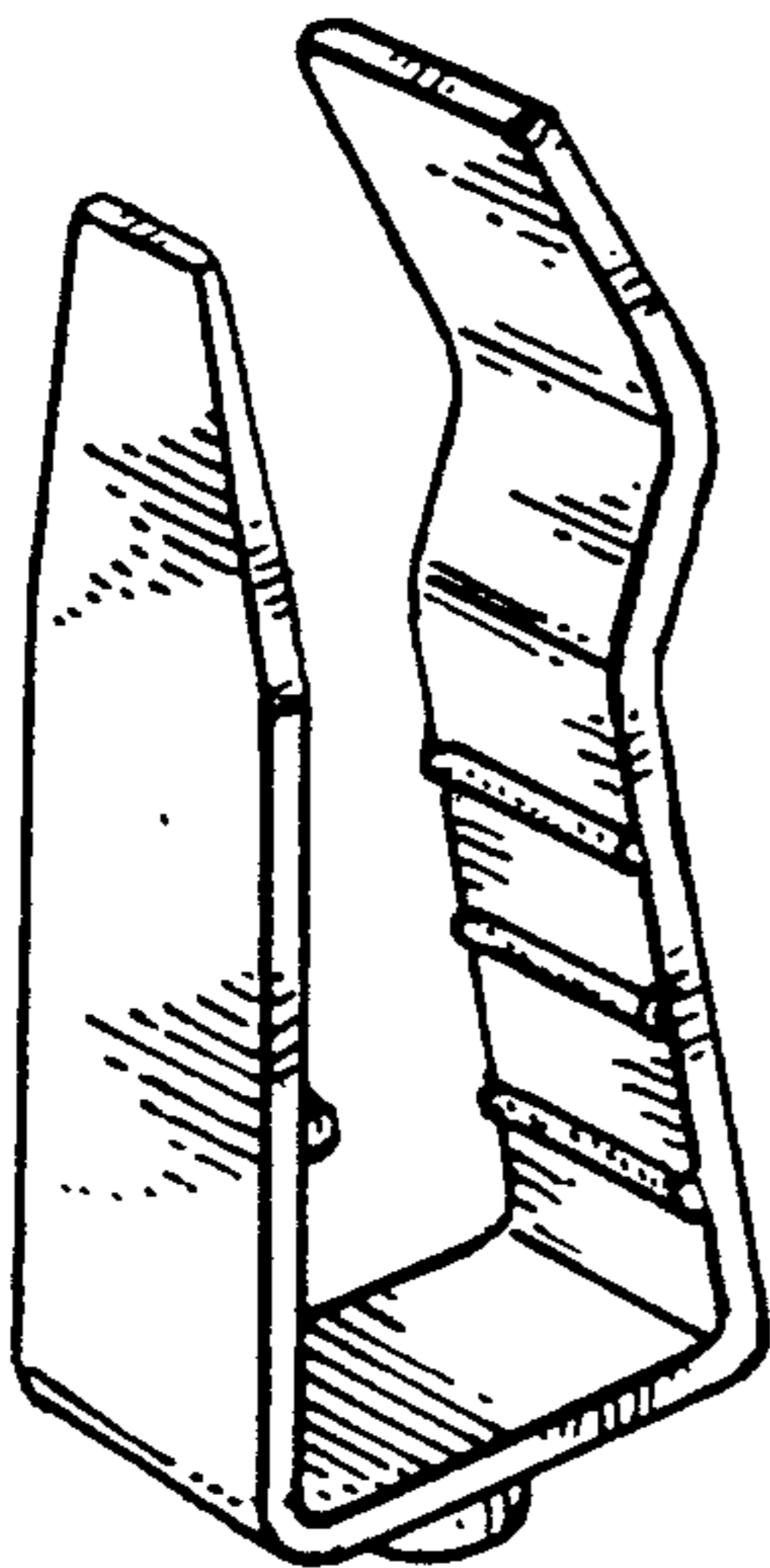
*FIG. 9.*



*FIG. 11.*



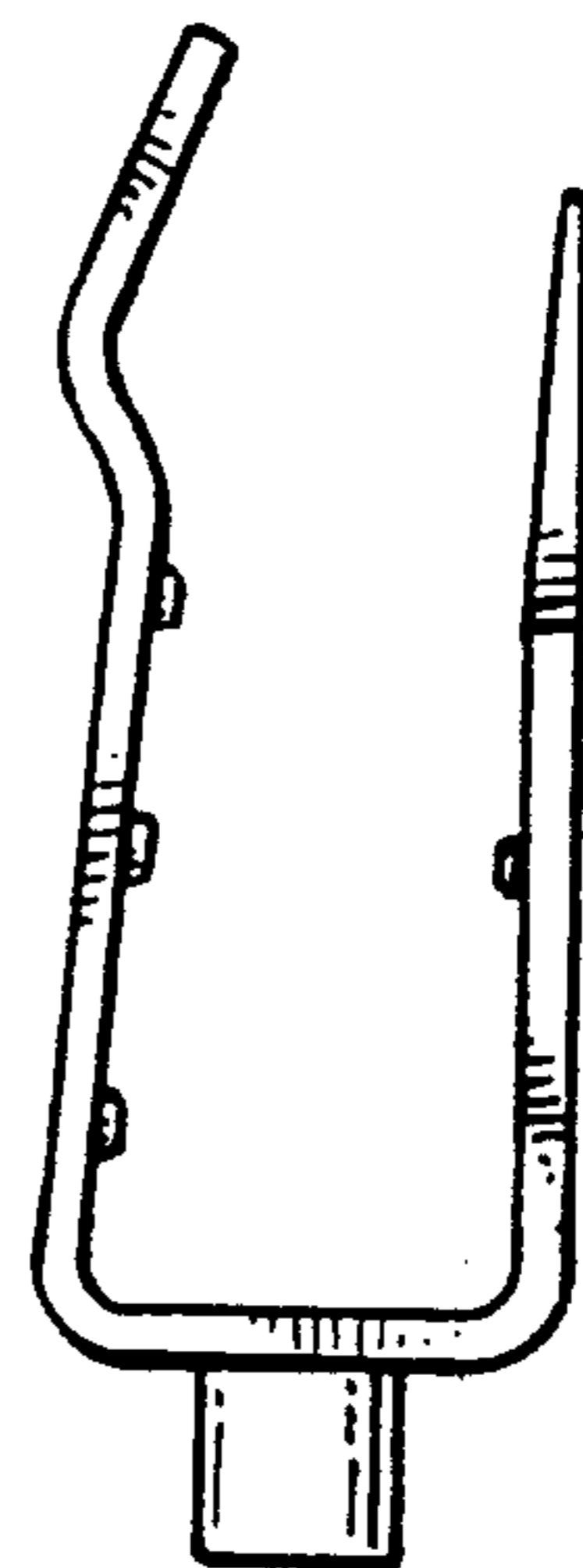
*FIG. 12.*



*FIG. 14.*



*FIG. 13.*



*FIG. 15.*

