



US00D341077S

# United States Patent [19]

[11] Patent Number: **Des. 341,077**

Chan

[45] Date of Patent: **\*\* Nov. 9, 1993**

[54] **BRACKET FOR SUPPORTING OFFICE DESK TRAYS**

4,401,222 8/1983 Kilikowski ..... 211/103 X  
5,048,698 9/1991 Konrad ..... 211/45

[75] Inventor: **Eric P. Chan, New York, N.Y.**

*Primary Examiner*—Wallace R. Burke  
*Assistant Examiner*—H. Baynham  
*Attorney, Agent, or Firm*—Cohn, Powell & Hind

[73] Assignee: **American Trading and Production Corporation, Baltimore, Md.**

[\*\*] Term: **14 Years**

[57] **CLAIM**

[21] Appl. No.: **814,918**

The ornamental design for a bracket for supporting office desk trays, as shown and described.

[22] Filed: **Dec. 26, 1991**

**DESCRIPTION**

[52] U.S. Cl. .... **D8/381; D8/380**

FIG. 1 is an upper, front perspective view of a bracket for supporting office desk trays showing my new design;

[58] Field of Search ..... **D8/381, 380; 211/45, 211/103, 94**

FIG. 2 is a lower, rear perspective view thereof;

FIG. 3 is a top plan view thereof;

FIG. 4 is a left side elevational view thereof;

FIG. 5 is a right side elevational view thereof;

FIG. 6 is a front elevational view thereof;

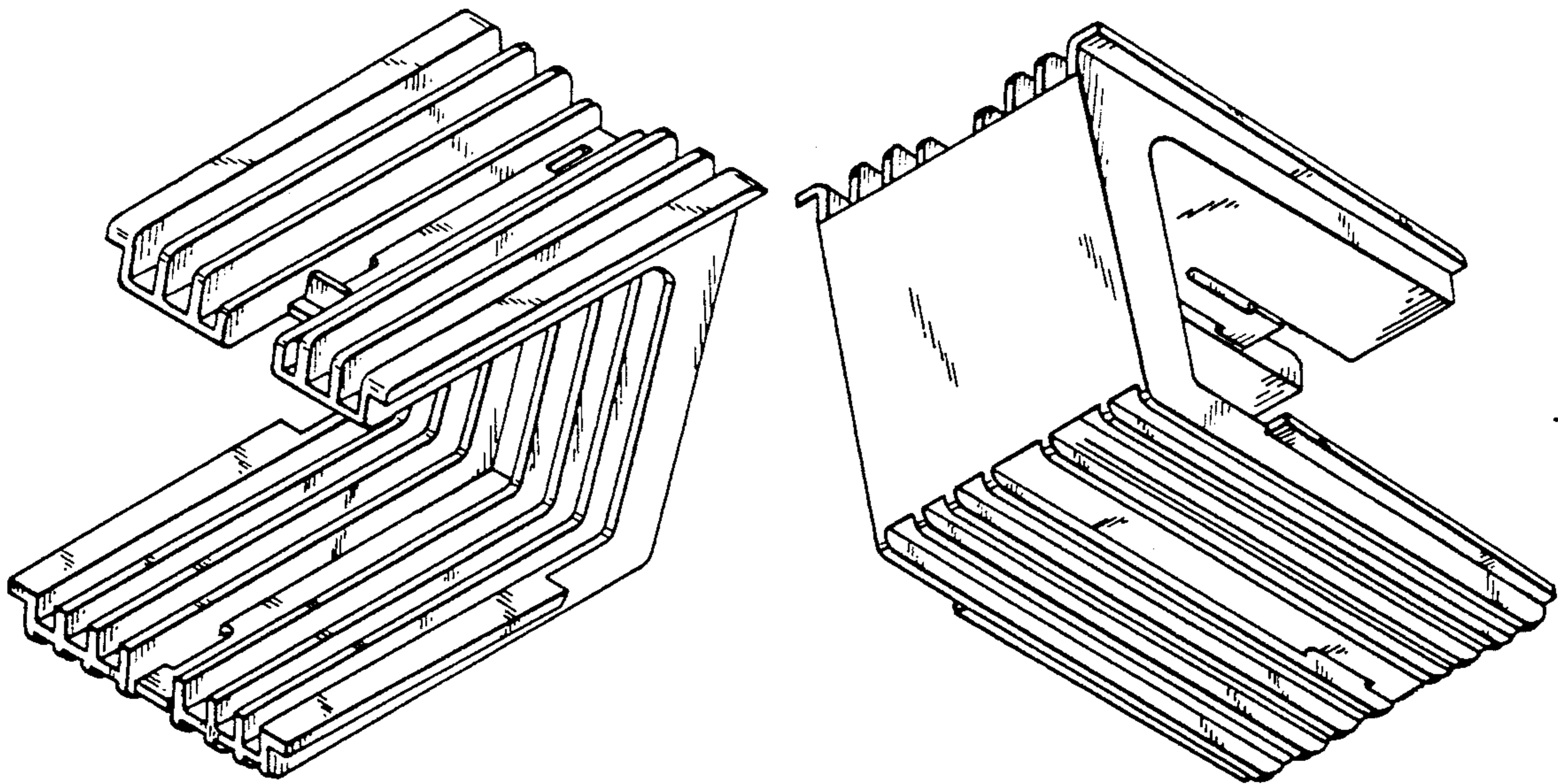
FIG. 7 is a rear elevational view thereof; and,

FIG. 8 is a bottom plan view thereof.

[56] **References Cited**

**U.S. PATENT DOCUMENTS**

- D. 292,264 10/1987 Staufenberg et al. .... D8/380
- D. 298,604 11/1988 Newton ..... D8/380
- 4,349,113 9/1982 Schreiner ..... 211/103



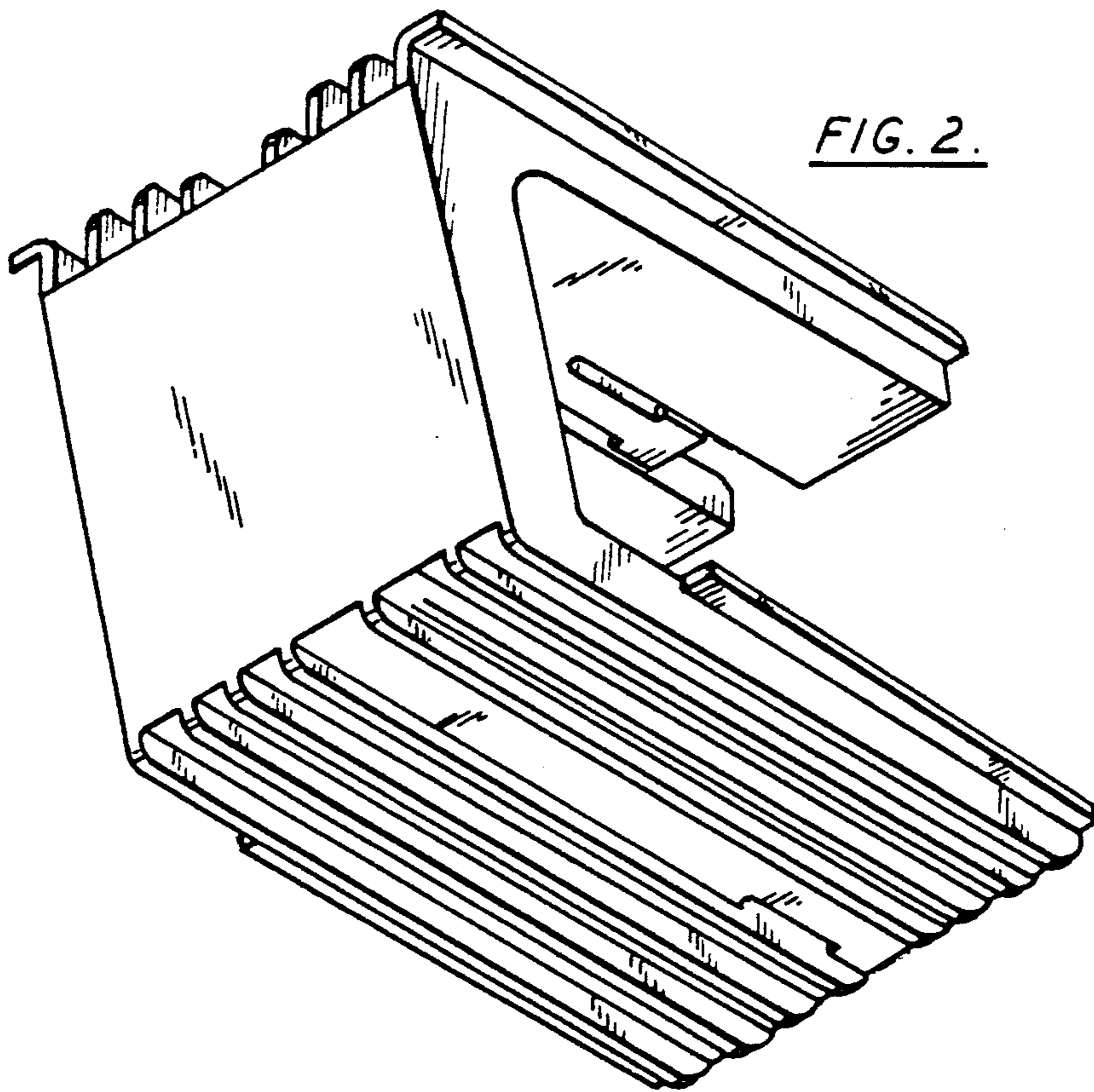
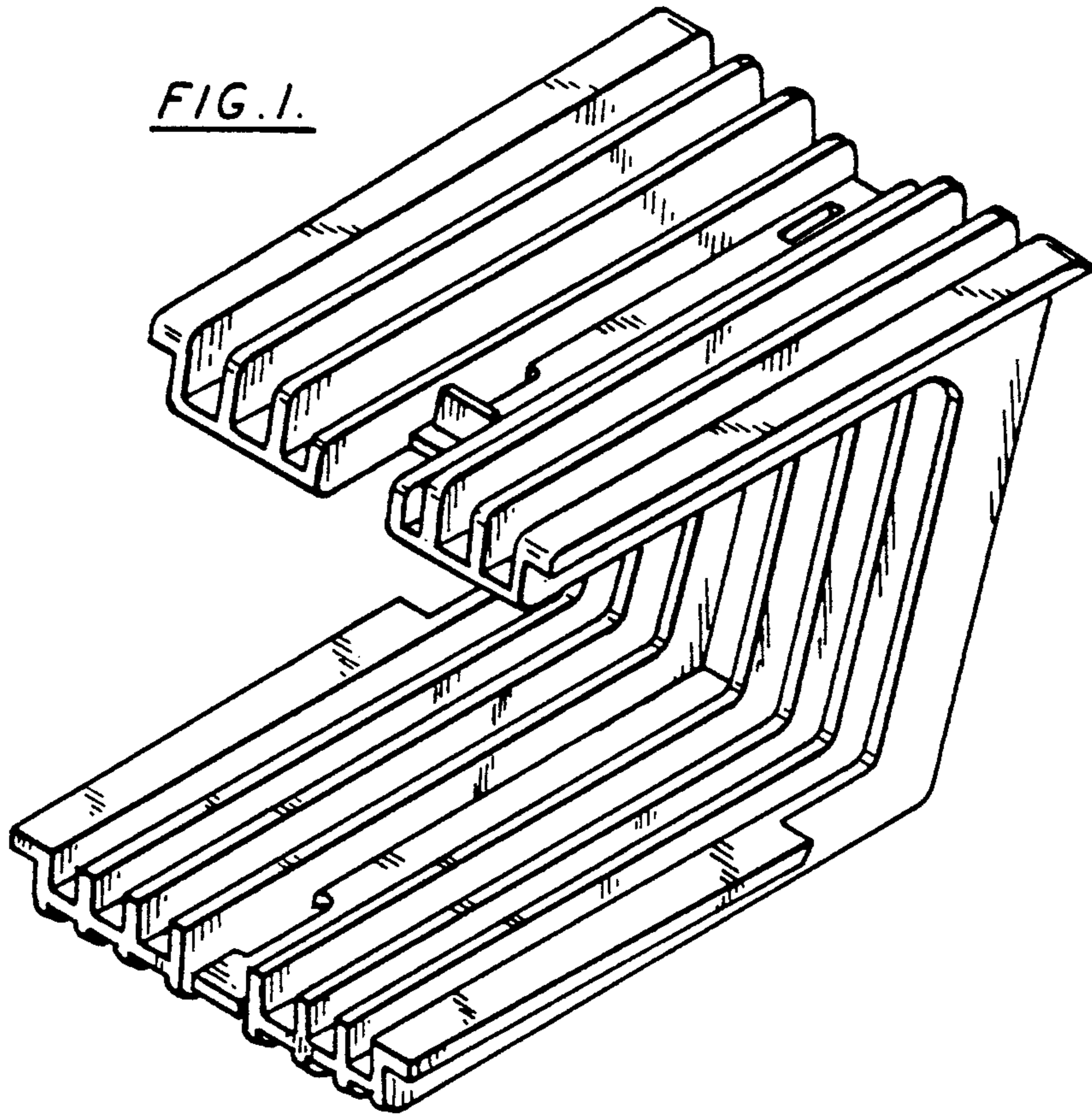


FIG. 3.

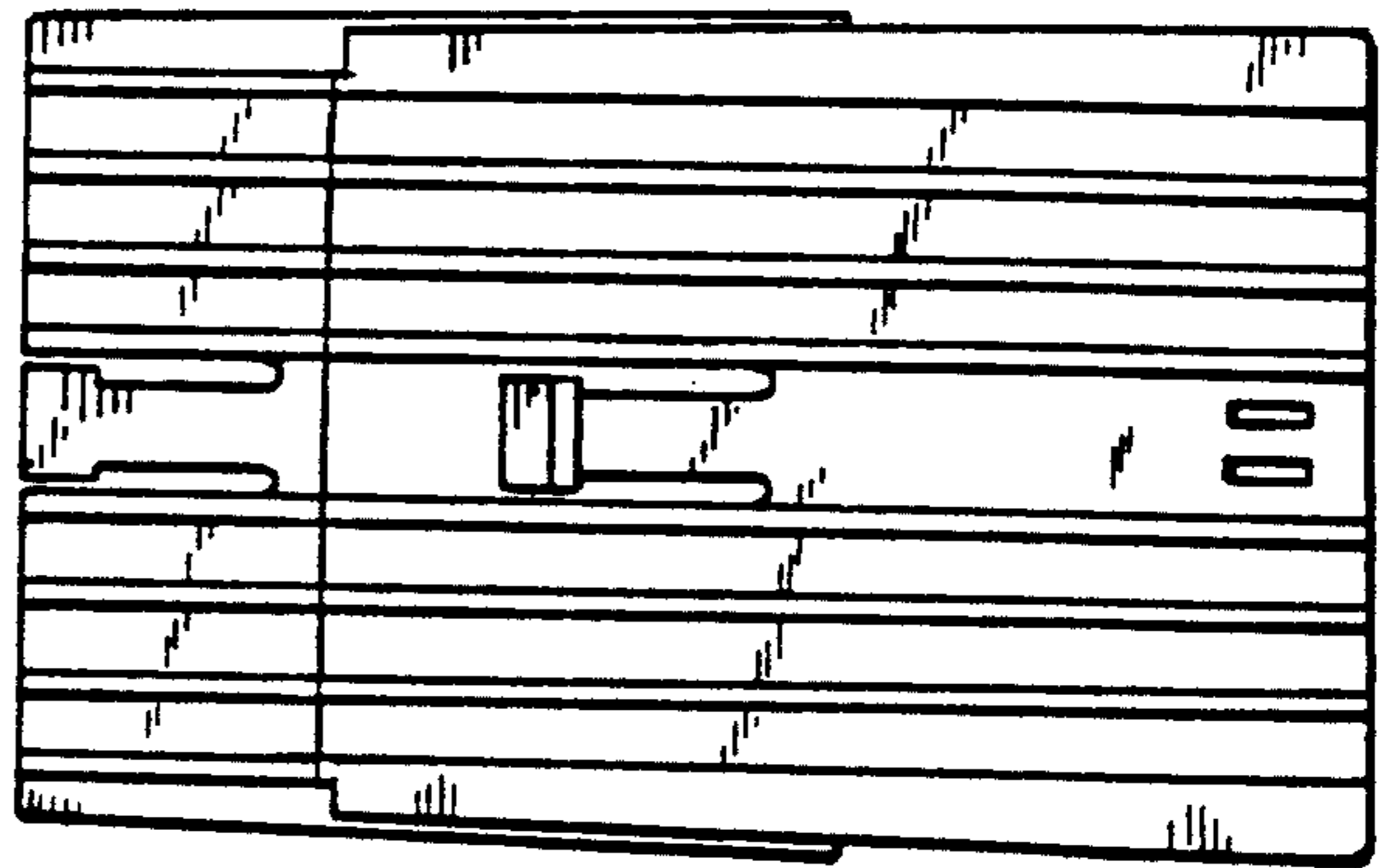


FIG. 4.

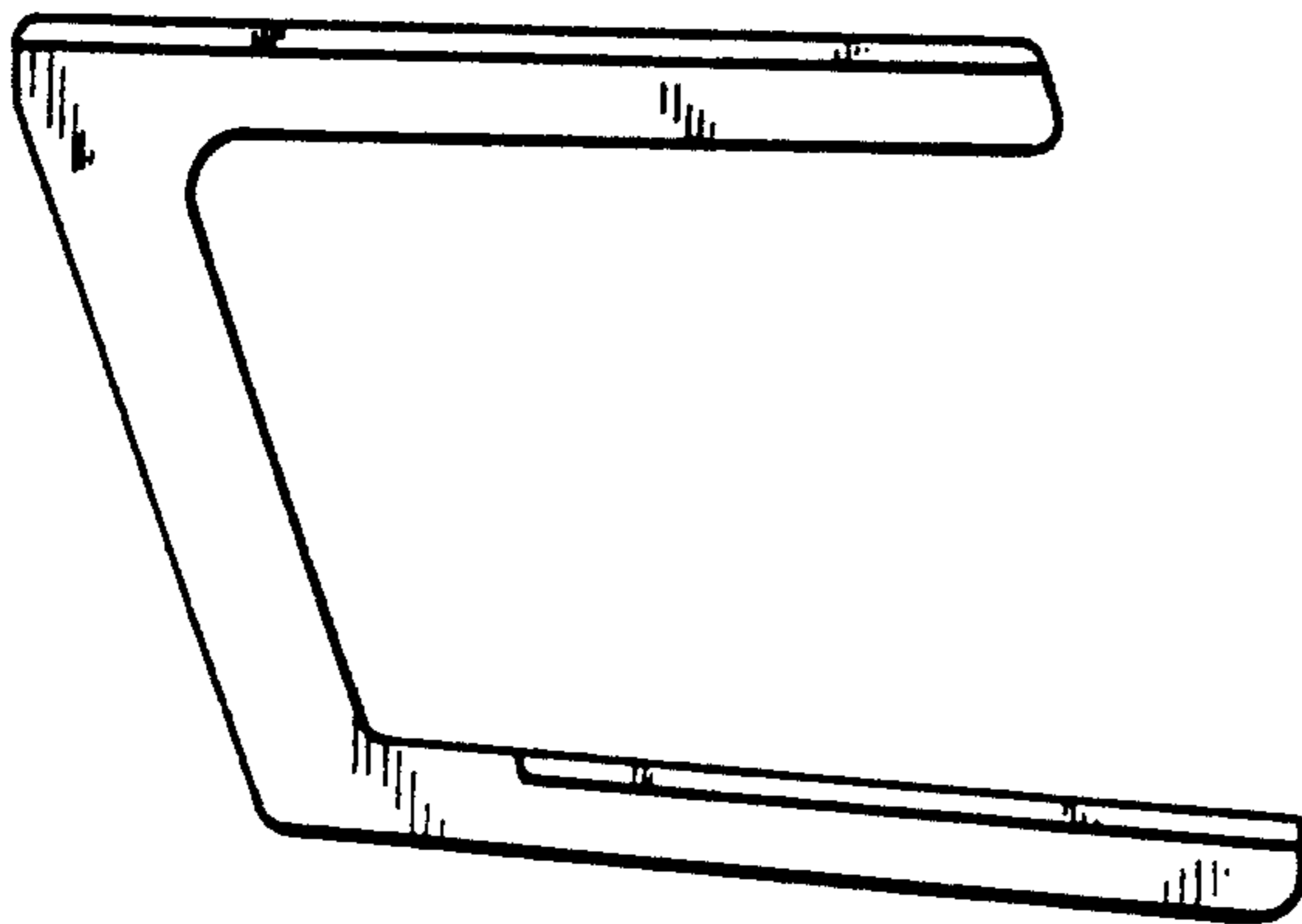


FIG. 5.

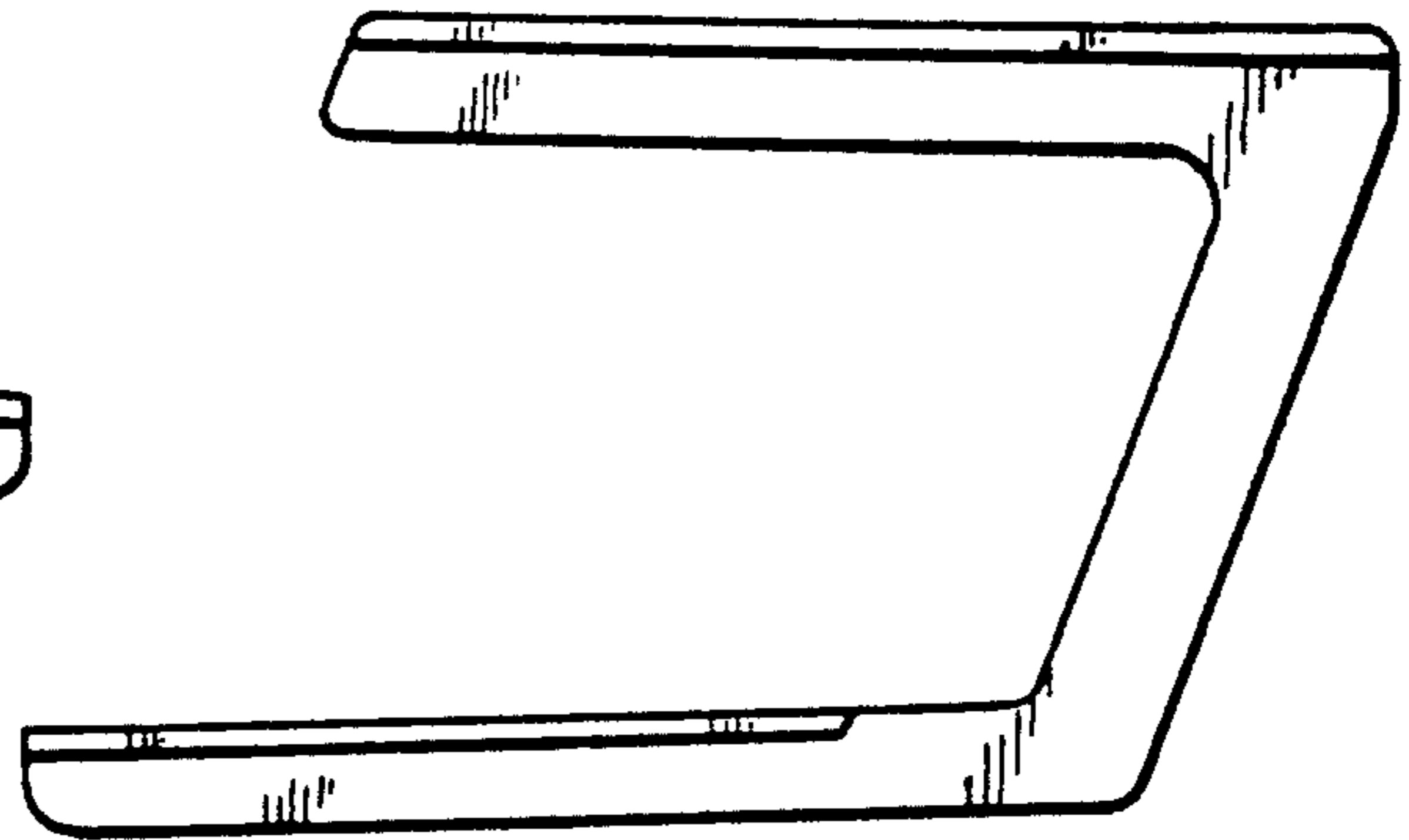


FIG. 6.

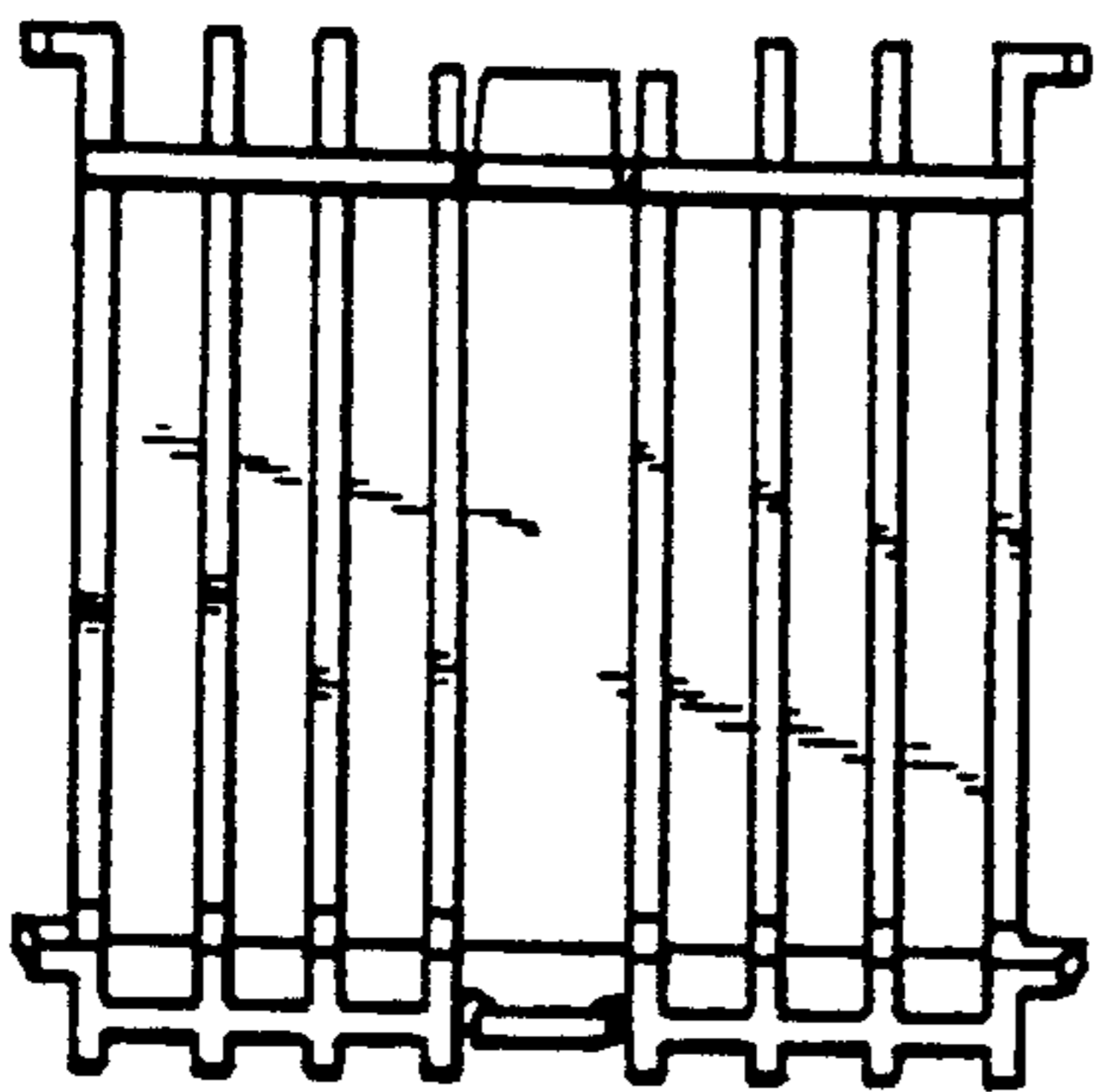


FIG. 7.

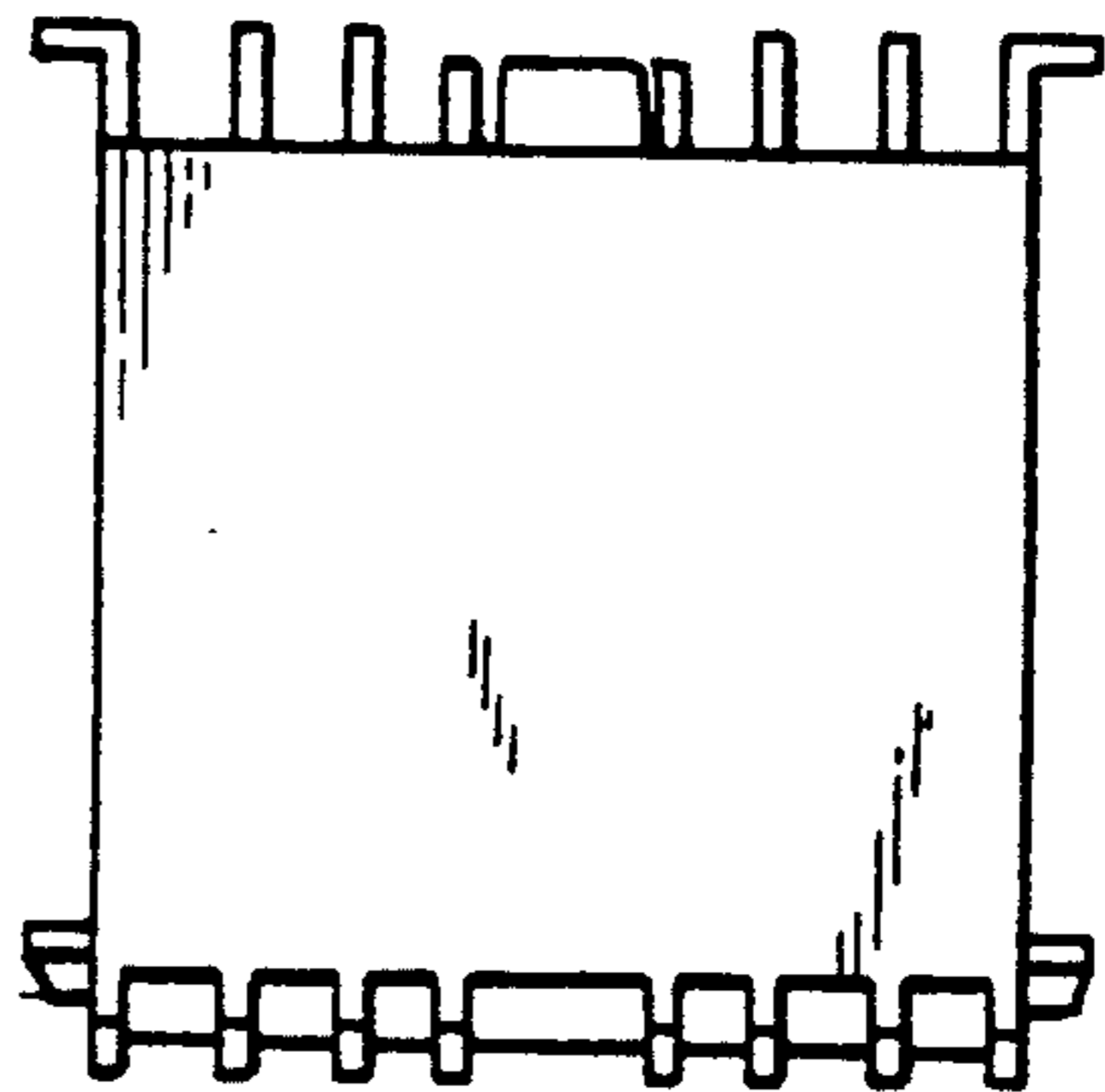


FIG. 8.

