



US00D341076S

United States Patent [19]

Kolton

[11] Patent Number: **Des. 341,076**

[45] Date of Patent: **** Nov. 9, 1993**

[54] TELEPHONE CORD STORAGE ELEMENT

[76] Inventor: **Robert Kolton**, C45 Valley Rd.,
Indian Creek, Ill. 60061

[**] Term: **14 Years**

[21] Appl. No.: **778,698**

[22] Filed: **Oct. 18, 1991**

[52] U.S. Cl. **D8/358**

[58] Field of Search **D8/358-359;**
379/441; 242/100.1, 106, 118.61, 96; 191/12.2
R

4,946,010 8/1990 DiBono 191/12.2 R
5,117,456 5/1992 Aurness et al. 191/12.2 X

FOREIGN PATENT DOCUMENTS

725645 5/1932 France .
59956 2/1941 Sweden .

OTHER PUBLICATIONS

Modern Plastics, Feb. 1950, p. 79, child reel located in center of page.

Hide-a-Cord brochure, Feb. 15, 1991, cord reel located at bottom of page.

Primary Examiner—Wallace R. Burke

Assistant Examiner—H. Baynham

Attorney, Agent, or Firm—Terry M. Gernstein

[56]

References Cited

U.S. PATENT DOCUMENTS

D. 260,073	8/1981	Wells	D8/358
D. 308,090	5/1990	Yeh	D22/140 X
D. 325,332	4/1992	Oberhelman et al.	D8/358 X
896,173	8/1908	Thompson	379/441
1,222,376	4/1917	Ferguson	379/441
2,449,464	9/1948	Eypper	242/100.1
2,572,478	10/1951	Hawkins	379/441
2,952,420	9/1960	Von Hoorn	242/100.1
4,350,850	9/1982	Kovacik et al.	191/12.2 R
4,384,688	5/1983	Smith	191/12.2 X
4,713,497	12/1987	Smith	191/12.2 R
4,726,536	2/1988	Lerner et al.	242/100.1
4,756,486	7/1988	Campbell	242/96 X
4,757,955	7/1988	Simmons	191/12.2 R X
4,787,168	11/1988	Benit et al.	242/106 X
4,940,859	7/1990	Peterson	191/12.2 X

[57]

CLAIM

The ornamental design for a telephone cord storage element, as shown and described.

DESCRIPTION

FIG. 1 is a perspective view of the telephone cord storage element embodying the design of the present invention;

FIG. 2 is a front elevational view thereof;

FIG. 3 is a rear elevational view thereof;

FIG. 4 is a side elevational view thereof;

FIG. 5 is an opposite side elevational view thereof;

FIG. 6 is a top plan view thereof; and,

FIG. 7 is a bottom view thereof.

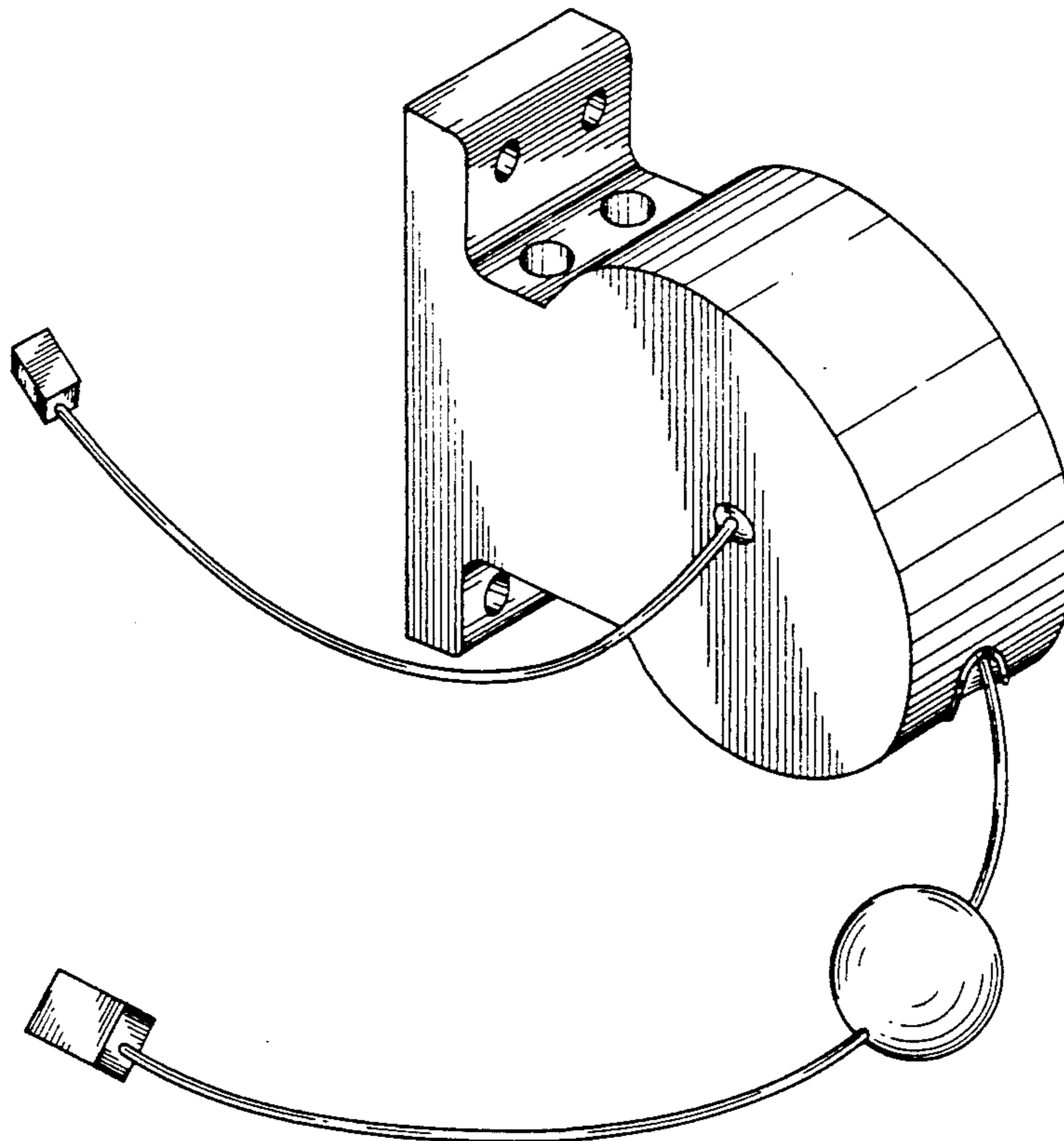
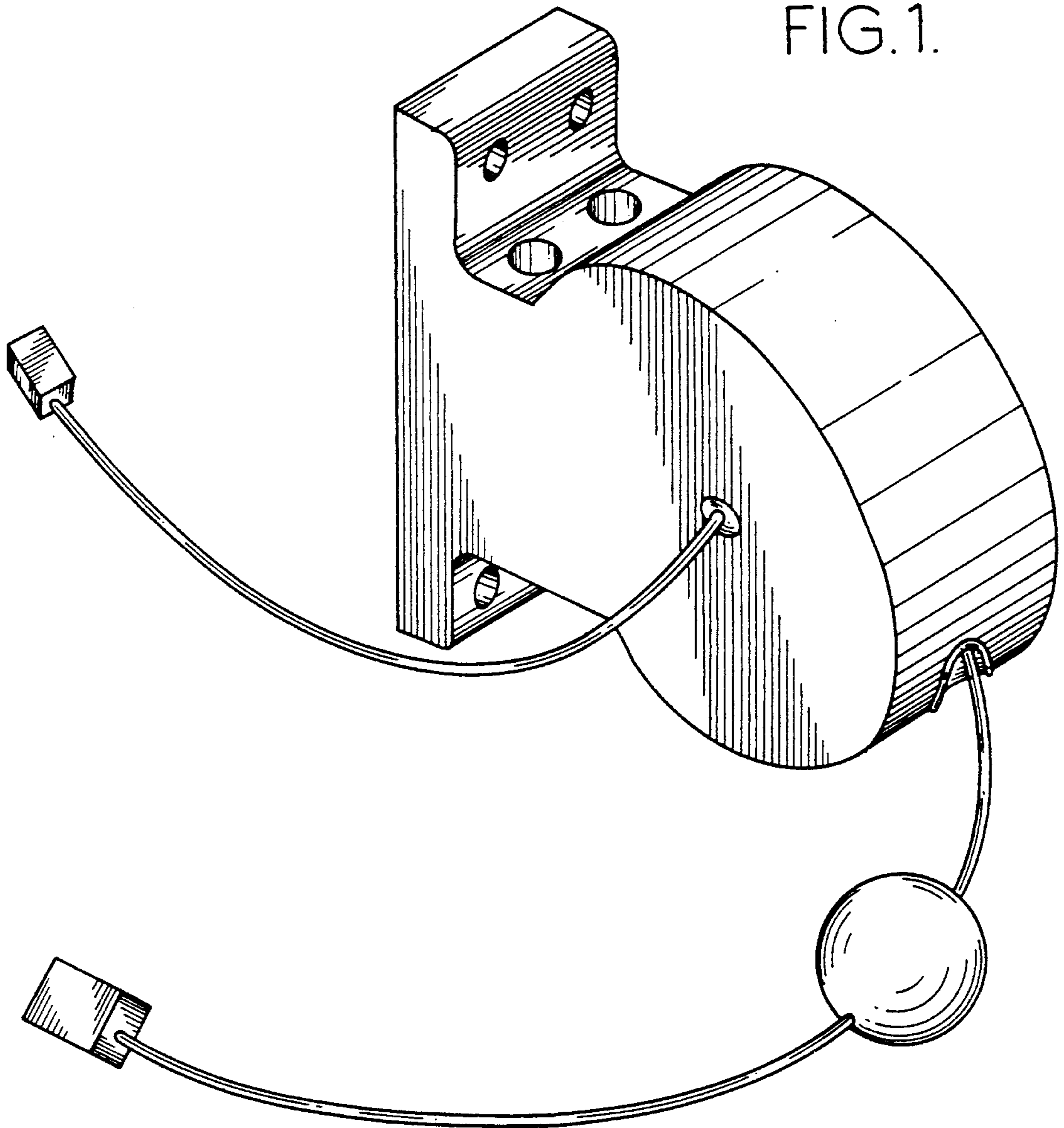
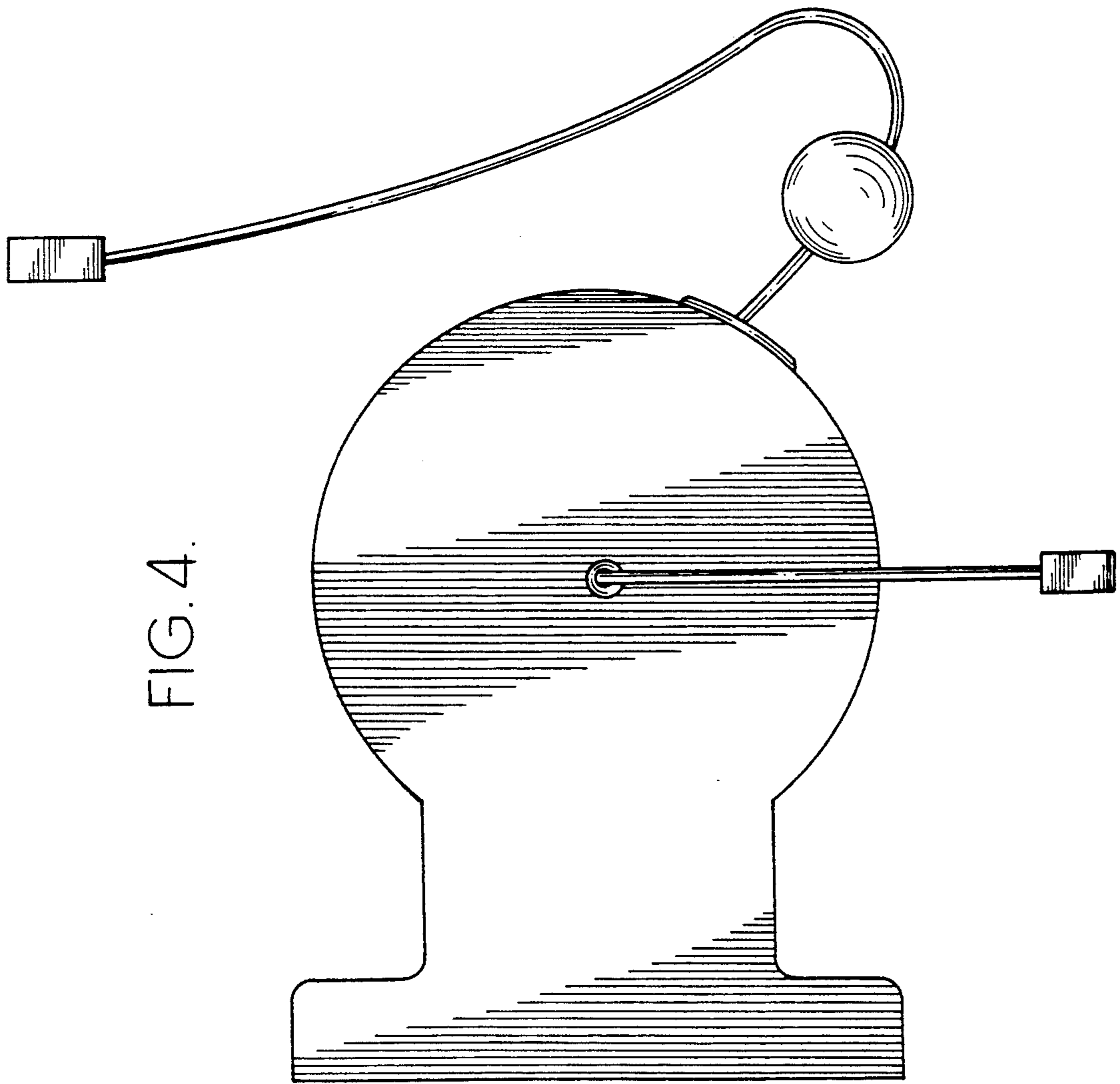
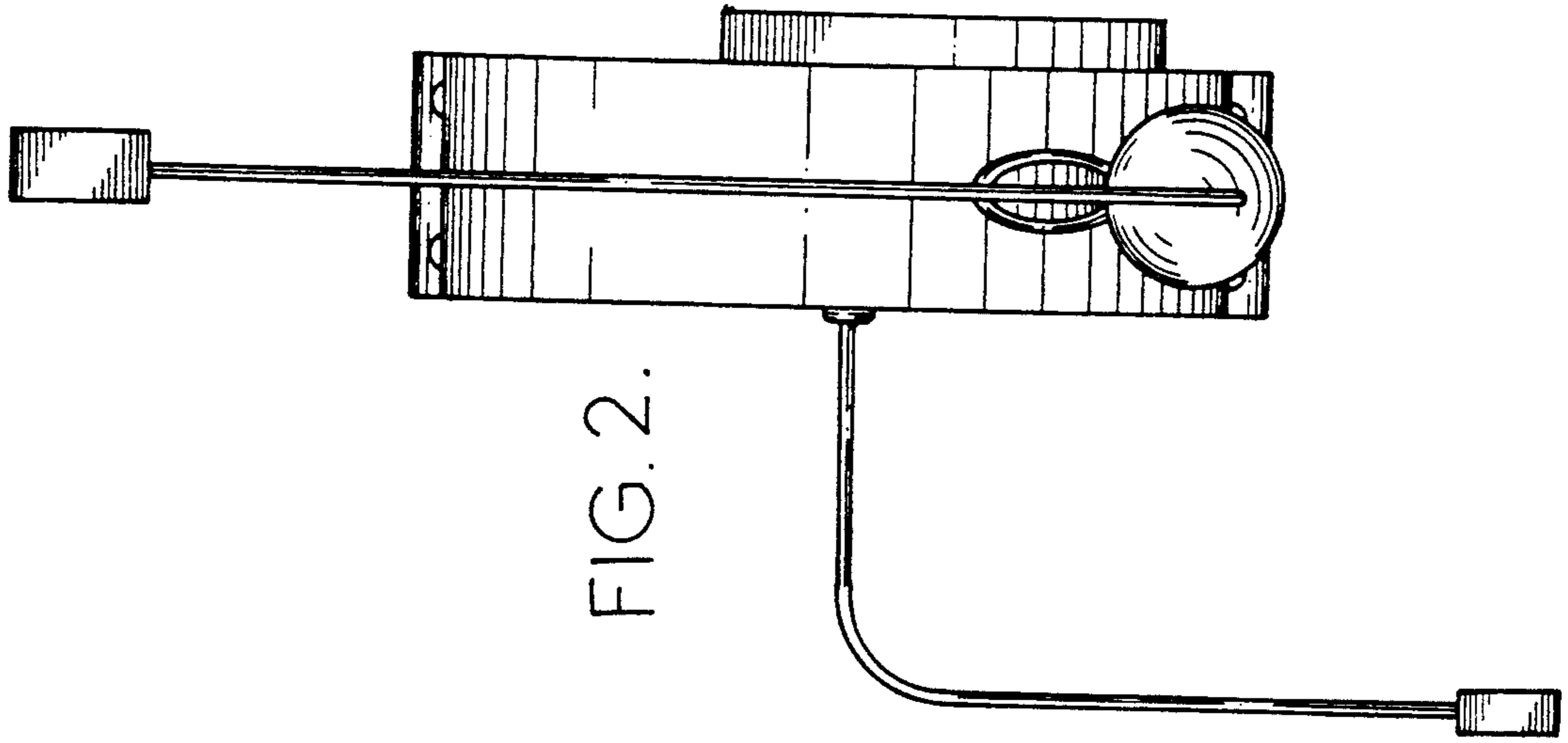


FIG. 1.





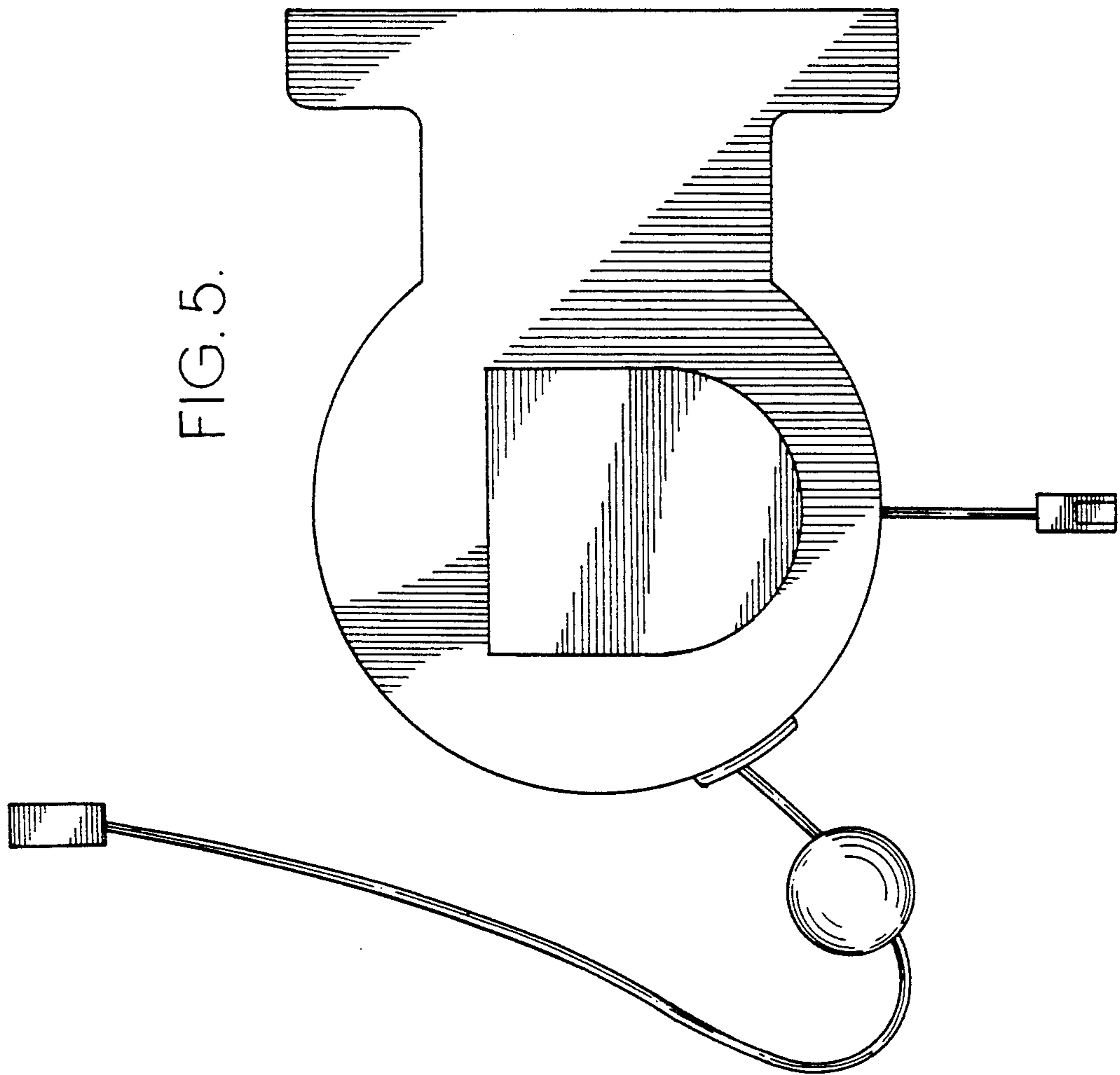
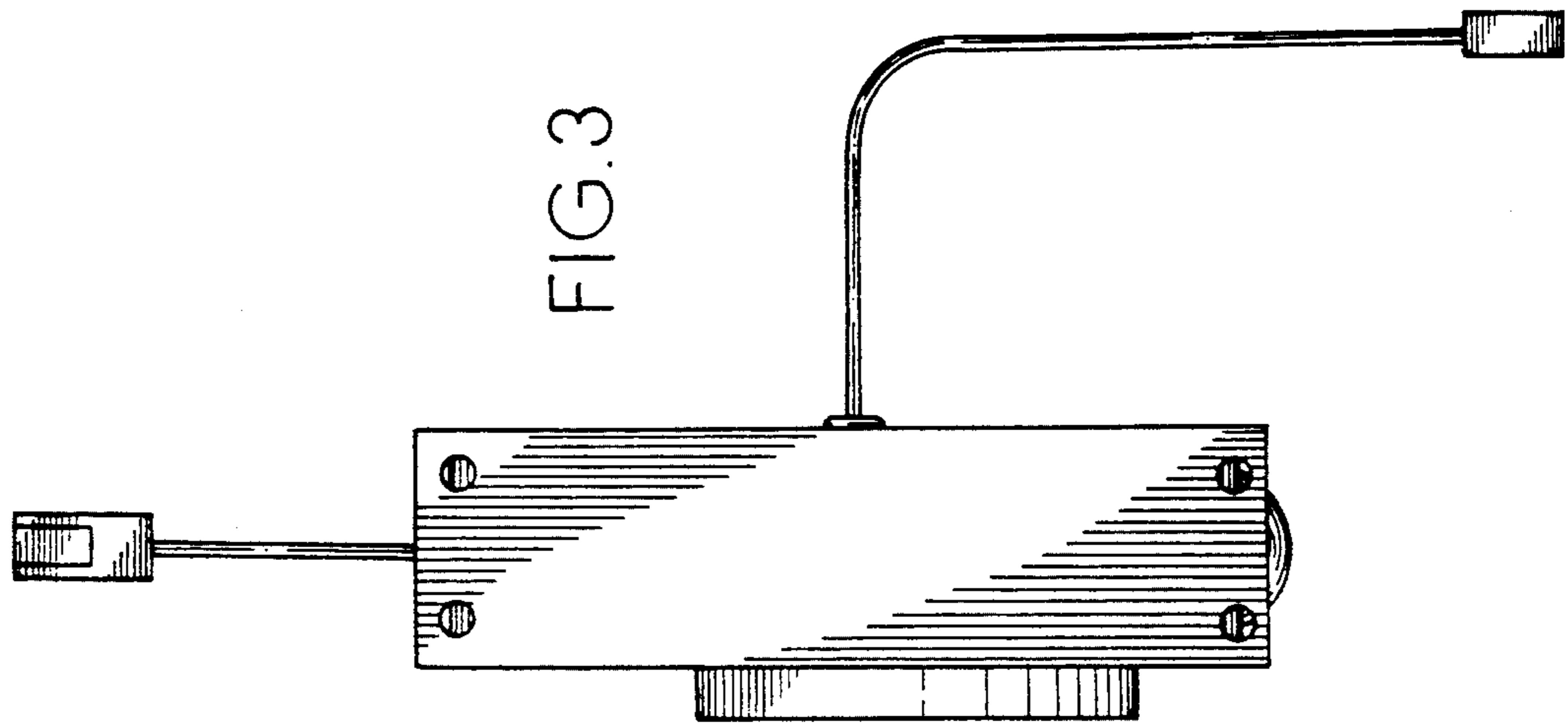


FIG. 7.

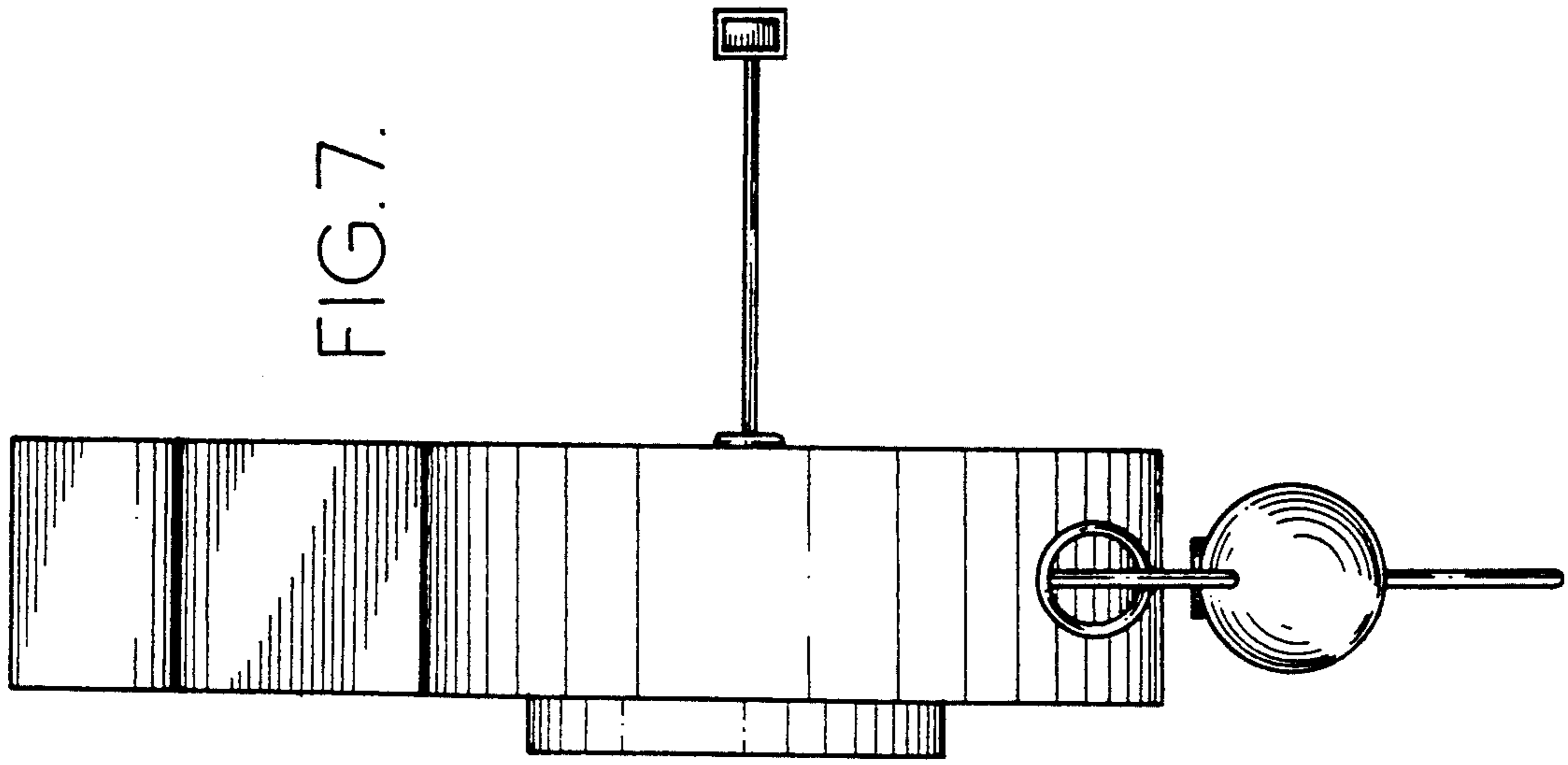


FIG. 6.

