



US00D341075S

# United States Patent [19] Quinkert

[11] Patent Number: **Des. 341,075**

[45] Date of Patent: **\*\* Nov. 9, 1993**

[54] **CONNECTOR BRACKET**

5,005,848 4/1991 Cornell ..... 403/295 X

[75] Inventor: **Ronald M. Quinkert, Livonia, Mich.**

*Primary Examiner*—Wallace R. Burke

[73] Assignee: **Electro-Wire Products, Inc., Dearborn, Mich.**

*Assistant Examiner*—H. Baynham

*Attorney, Agent, or Firm*—Kraus & Young

[\*\*] Term: **14 Years**

[57] **CLAIM**

[21] Appl. No.: **753,670**

The ornamental design for the connector bracket, as shown and described.

[22] Filed: **Sep. 3, 1991**

[52] U.S. Cl. .... **D8/354**

[58] Field of Search ..... **D8/354, 382, 349; 248/220.2; 403/205, 295, 192**

### DESCRIPTION

[56] **References Cited**

#### U.S. PATENT DOCUMENTS

D. 112,555	12/1938	Lowen	.....	D8/371
D. 142,539	10/1945	White	.....	D8/366
D. 142,540	10/1945	White	.....	D8/380 X
1,848,085	3/1932	Eisenschmidt	.....	D8/380 X
4,305,677	12/1981	Kowalski	.....	403/295
4,355,725	10/1982	Humphrey	.....	403/205 X
4,421,434	12/1983	Magner	.....	403/205 X

FIG. 1 is a perspective view of the connector bracket of the present invention;

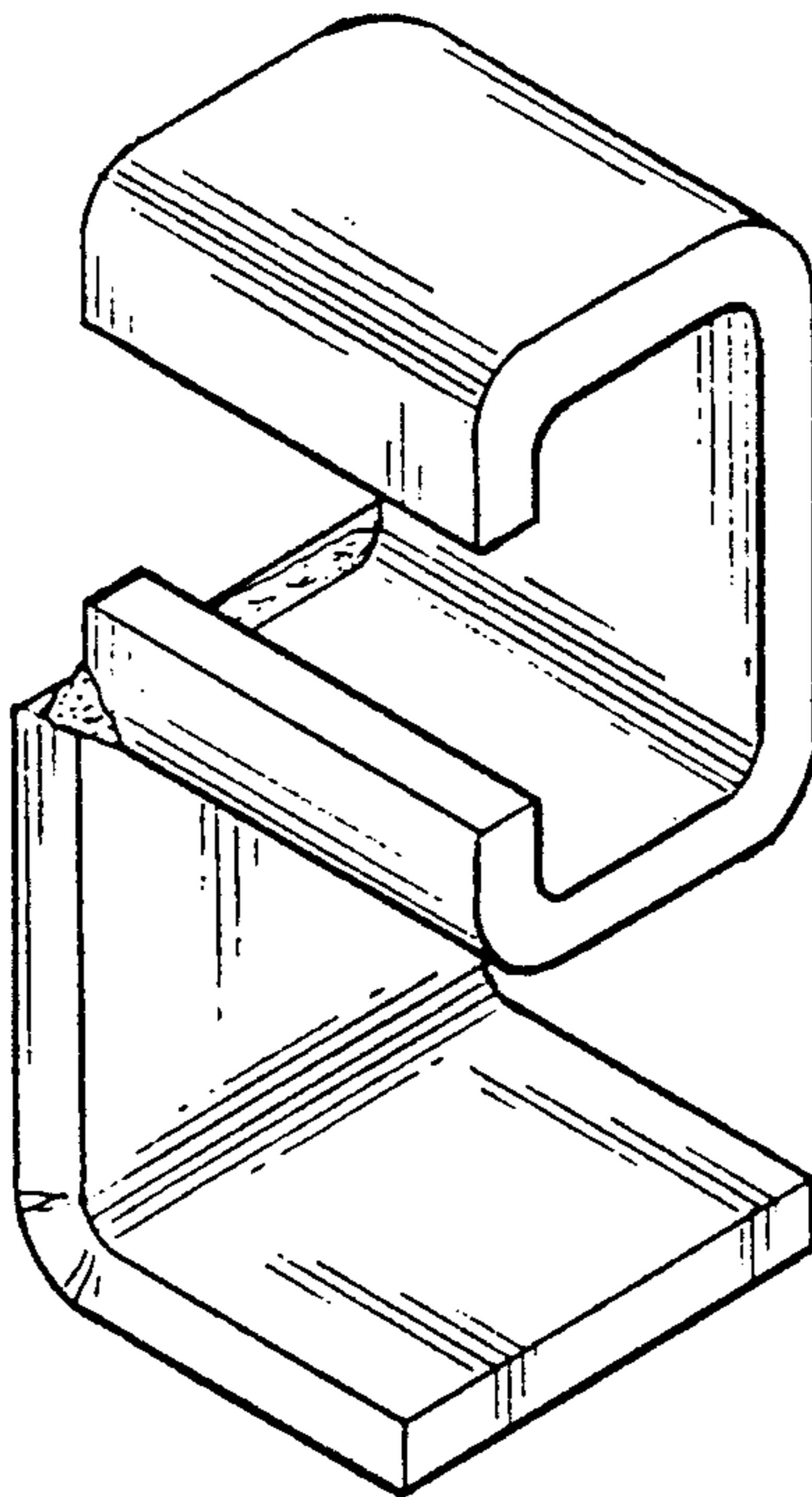
FIG. 2 is a right side elevational view of the connector bracket;

FIG. 3 is a rear elevational view of the connector bracket;

FIG. 4 is a left side elevational view of the connector bracket;

FIG. 5 is a front elevational view of the connector bracket;

FIG. 6 is a top plan view of the connector bracket; and, FIG. 7 is a bottom plan view of the connector bracket.



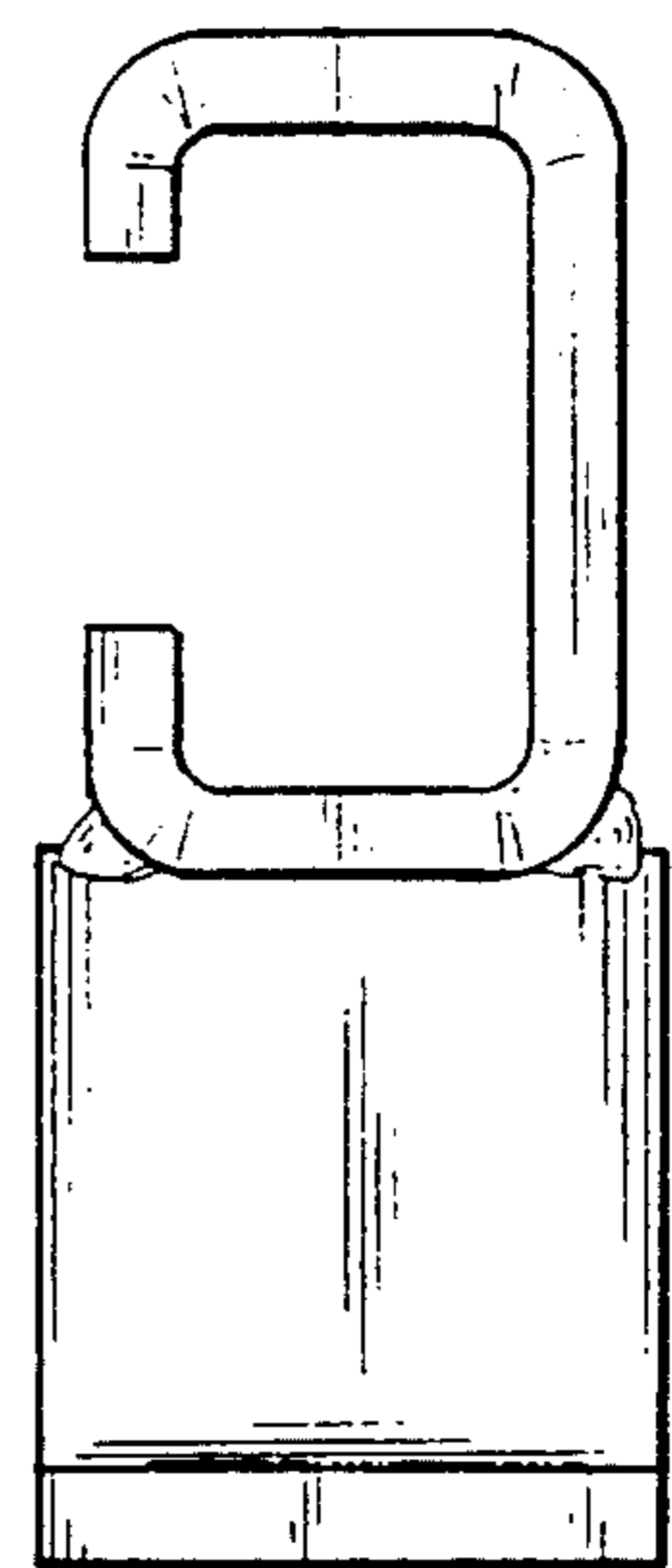
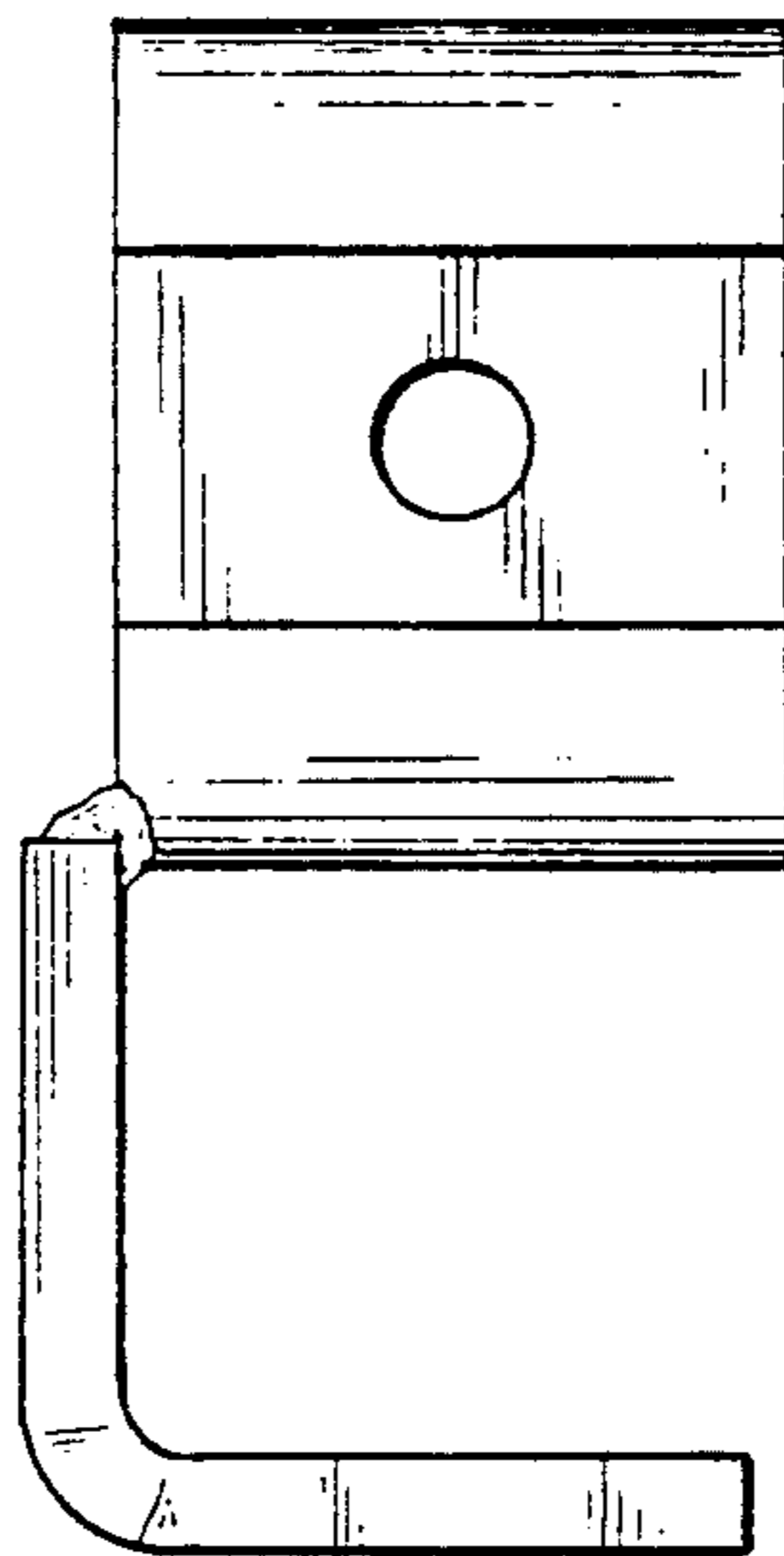
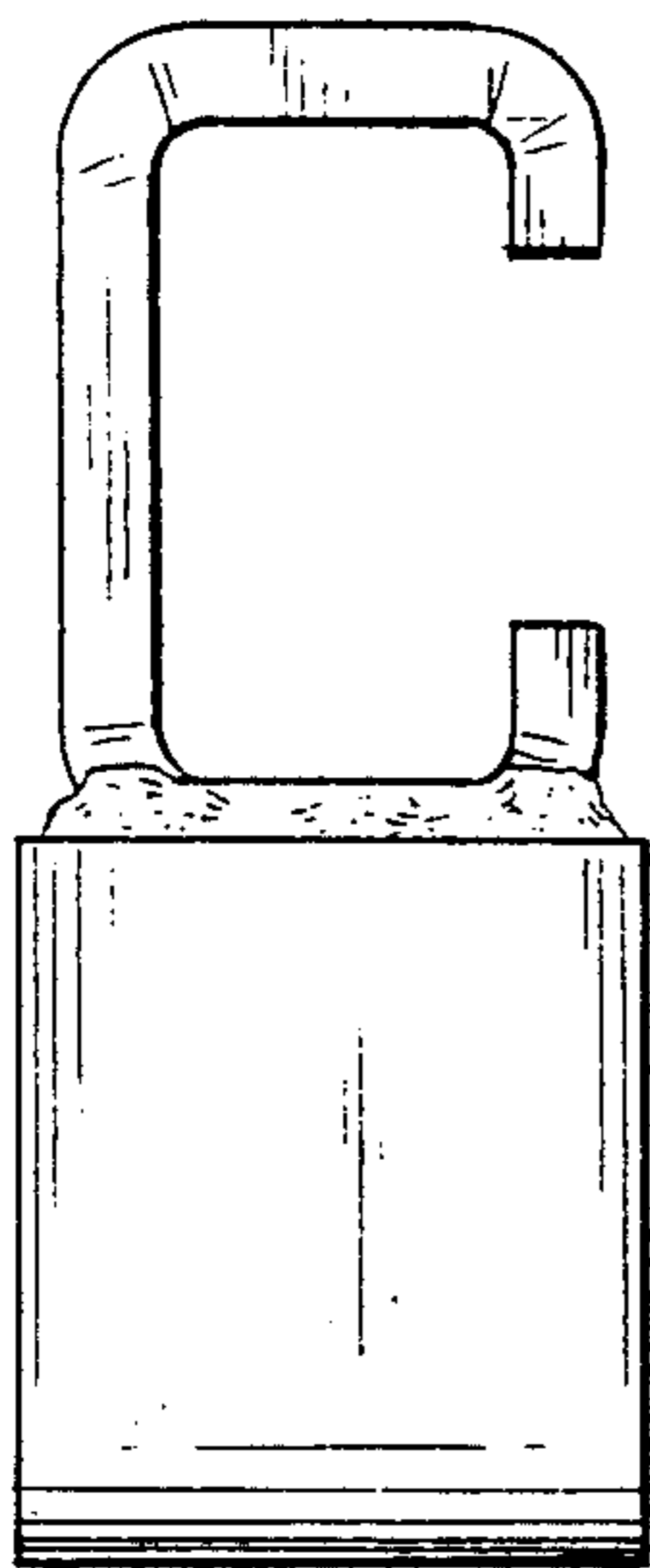
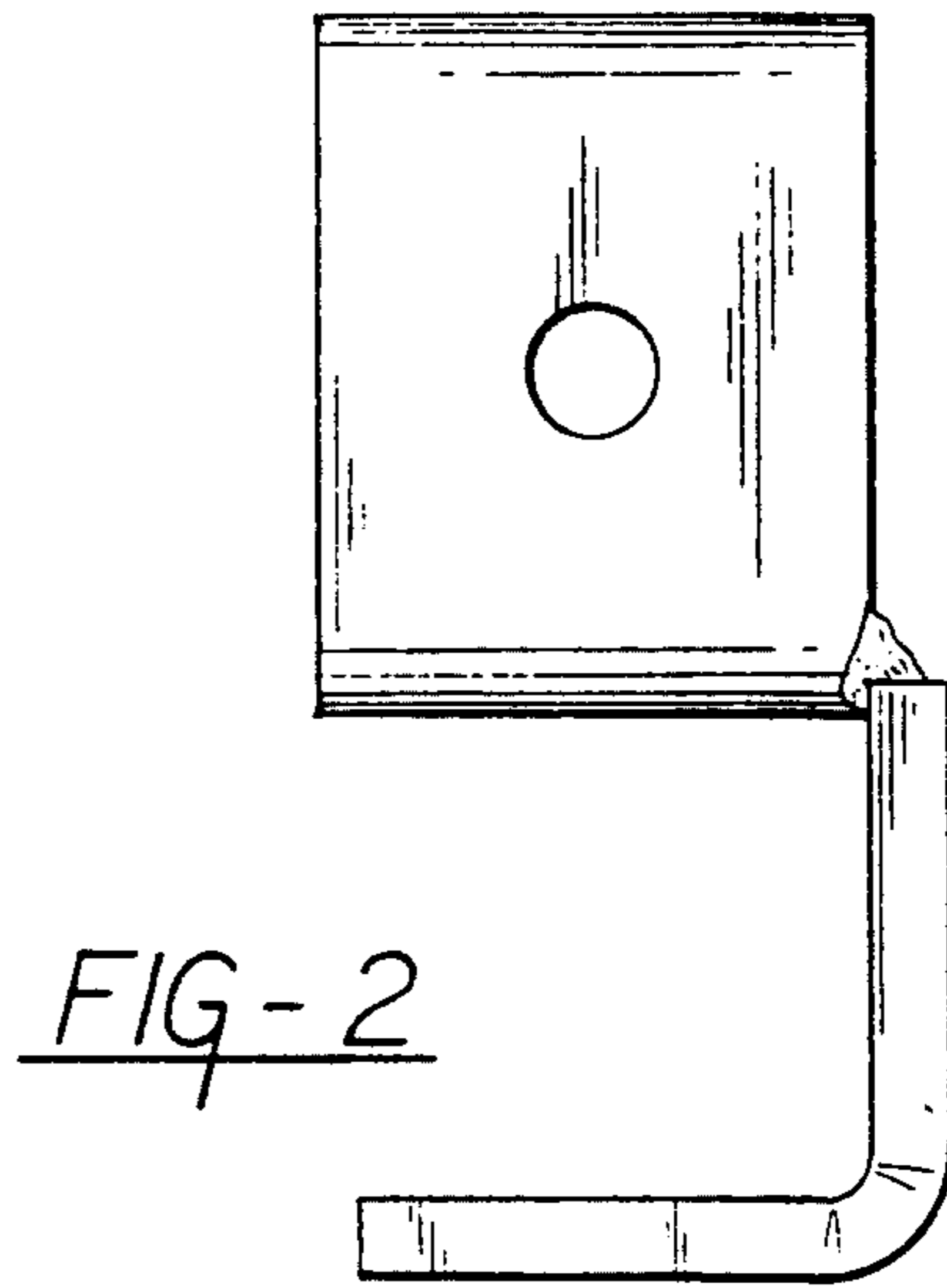
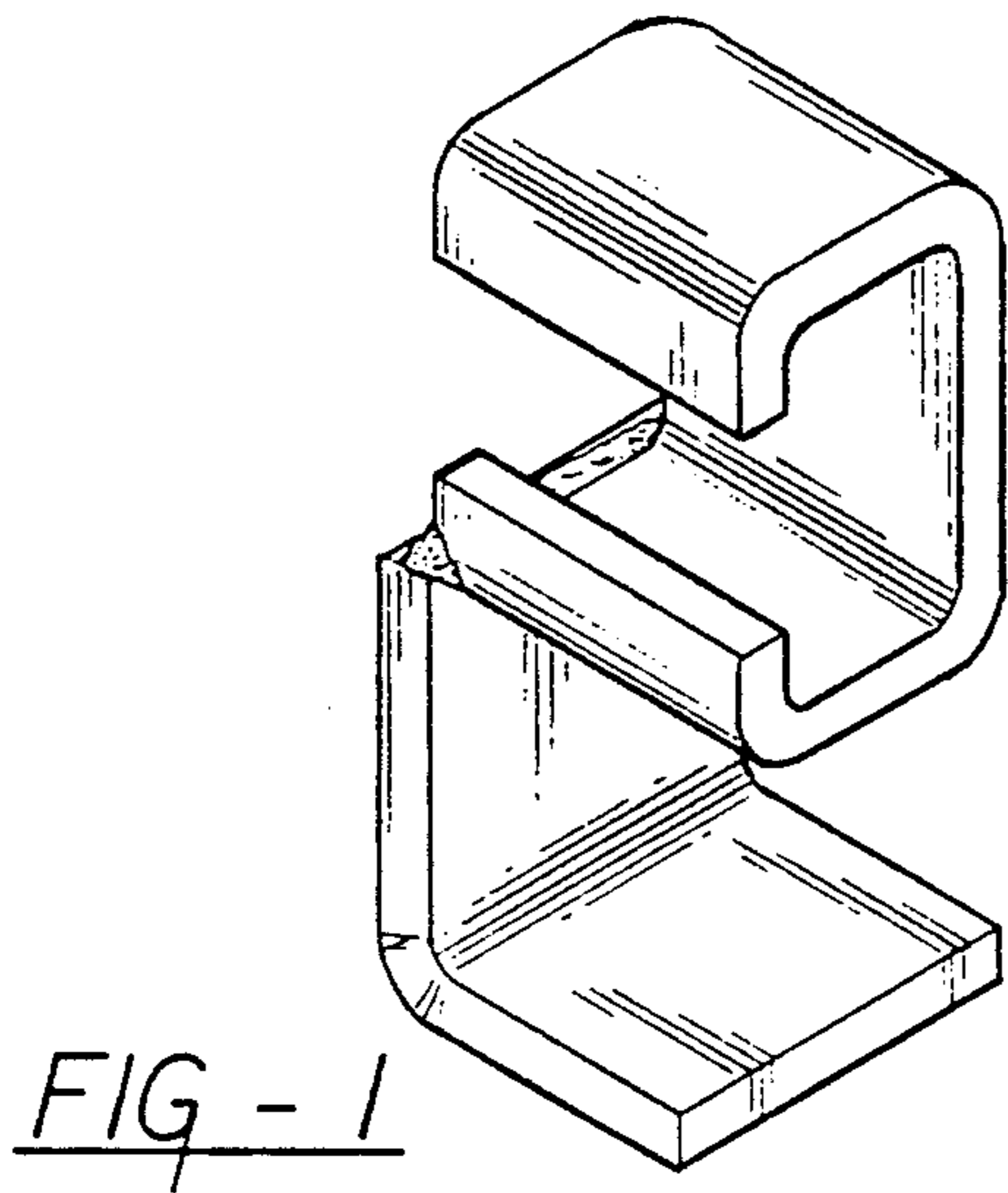


FIG - 3

FIG - 4

FIG - 5

FIG - 6

FIG - 7

