



US00D341074S

# United States Patent [19]

[11] Patent Number: **Des. 341,074**

Wagner

[45] Date of Patent: **\*\* Nov. 9, 1993**

[54] **PICTURE FRAME BRACKET**

[76] Inventor: **Donald T. Wagner**, P.O. Box 1545,  
210 Main St., Greenwood, Miss.  
38930

[\*\*] Term: **14 Years**

[21] Appl. No.: **744,004**

[22] Filed: **Aug. 12, 1991**

[52] U.S. Cl. .... **D8/349**

[58] Field of Search ..... **D8/349, 354, 373, 371,**  
**D8/367; 248/223.4, 224.3, 496-497, 475;**  
**D6/300**

[56] **References Cited**

**U.S. PATENT DOCUMENTS**

D. 231,901	6/1974	Bentley	.....	D8/367 X
D. 251,286	3/1979	Cook	.....	D8/371
D. 257,219	10/1980	Cook	.....	D8/371 X
D. 284,349	6/1986	Wallace	.....	D8/373
D. 299,003	12/1988	Fadeley, Jr.	.....	D8/367
3,367,617	2/1968	Ellis	.....	248/497

*Primary Examiner*—Wallace R. Burke

*Assistant Examiner*—H. Baynham

*Attorney, Agent, or Firm*—Walker, McKenzie & Walker

[57] **CLAIM**

The ornamental design for a picture frame bracket, as shown and described.

**DESCRIPTION**

FIG. 1 is a front elevational view of a picture frame bracket, showing my new design;  
 FIG. 2 is a right side elevational view thereof;  
 FIG. 3 is a rear elevational view thereof;  
 FIG. 4 is a left side elevational view thereof;  
 FIG. 5 is a bottom plan view thereof, the top plan view being a mirror image thereof; and,  
 FIG. 6 is a sectional view as taken on line 6—6 of FIG. 1 to more clearly show my new design.  
 FIG. 7 is a perspective view thereof, taken from the front.  
 FIG. 8 is a perspective view thereof, taken from the rear.

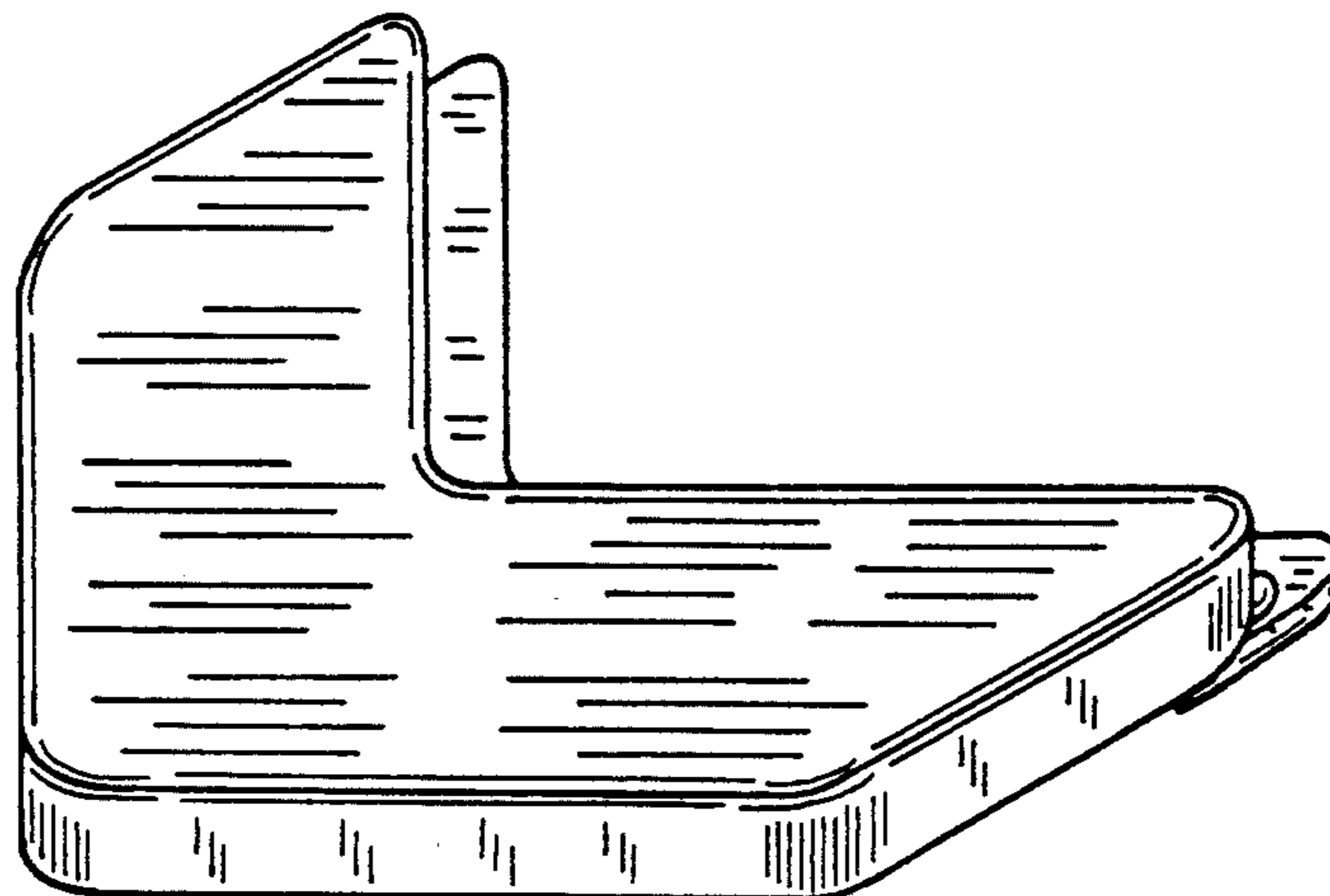
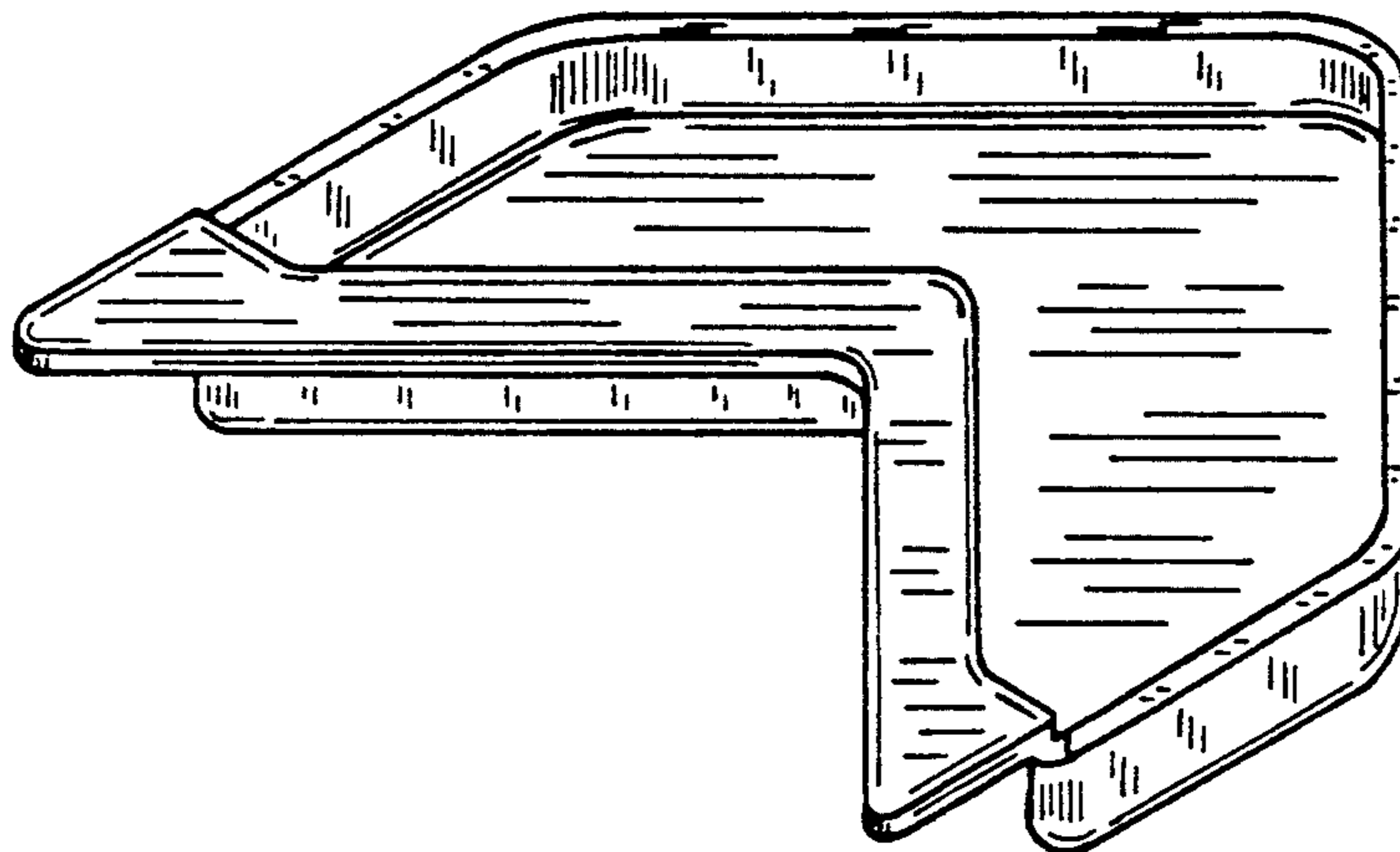


FIG. 1

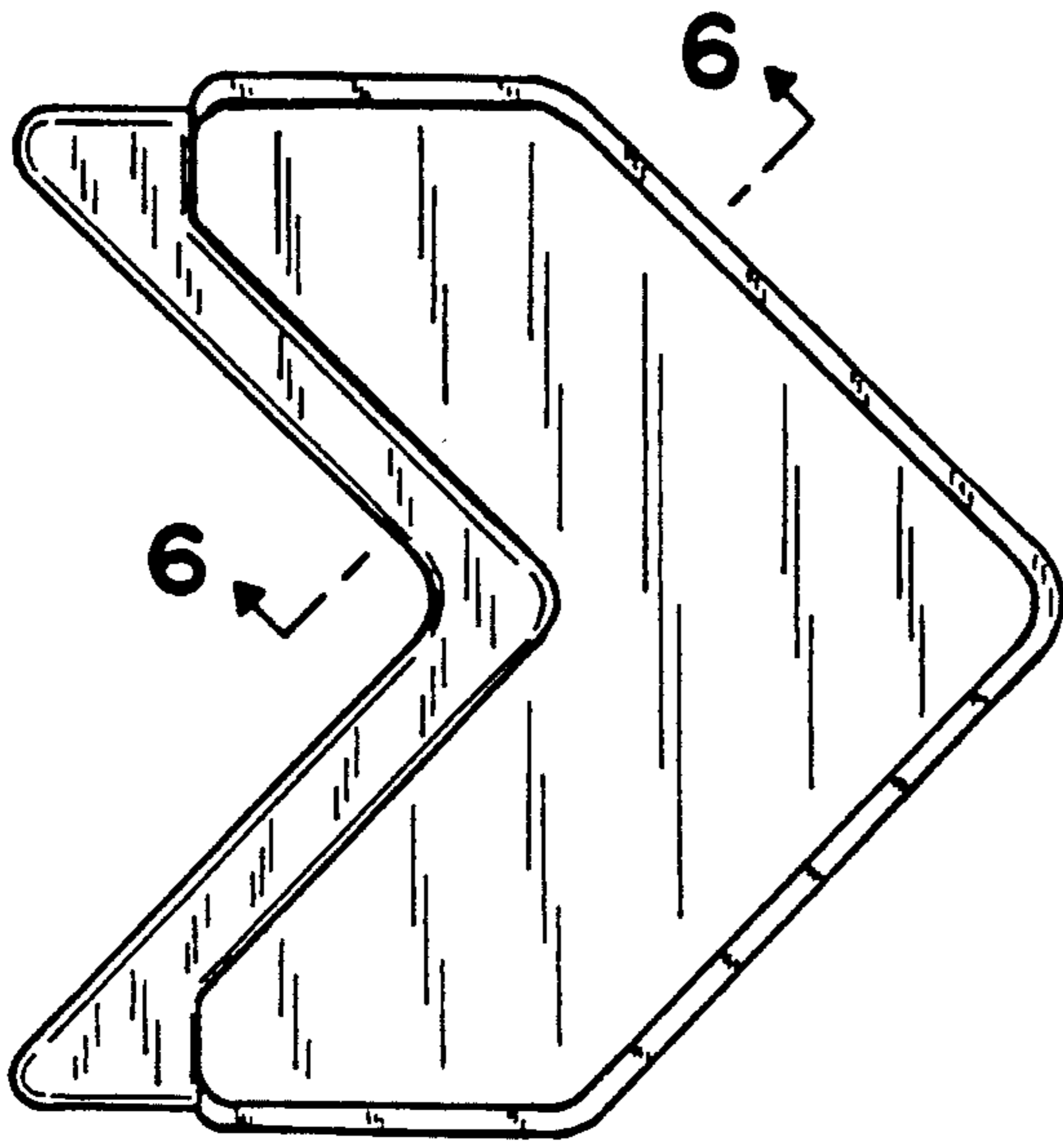


FIG. 2



FIG. 3

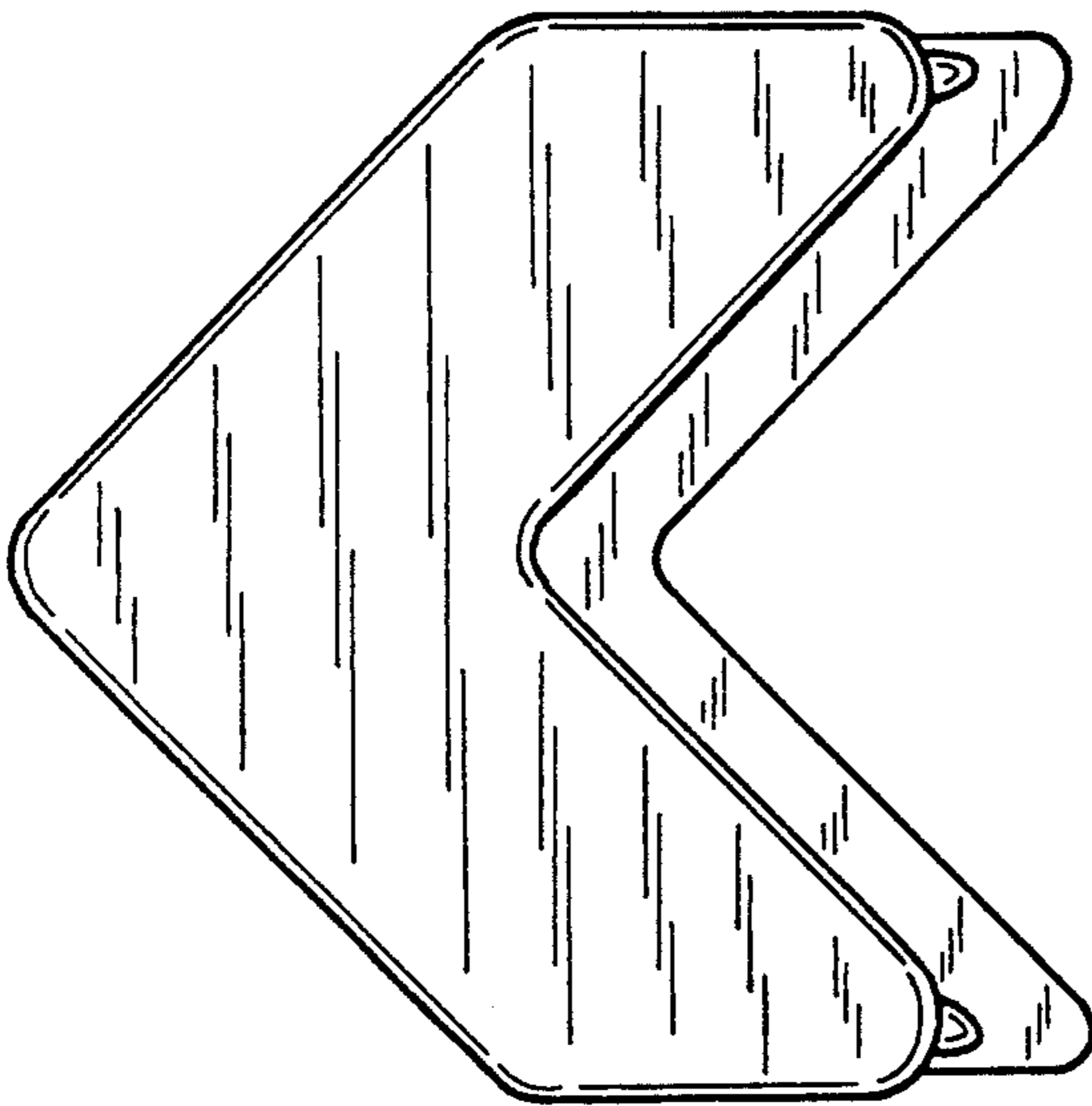


FIG. 4



FIG. 5



FIG. 6



FIG. 7

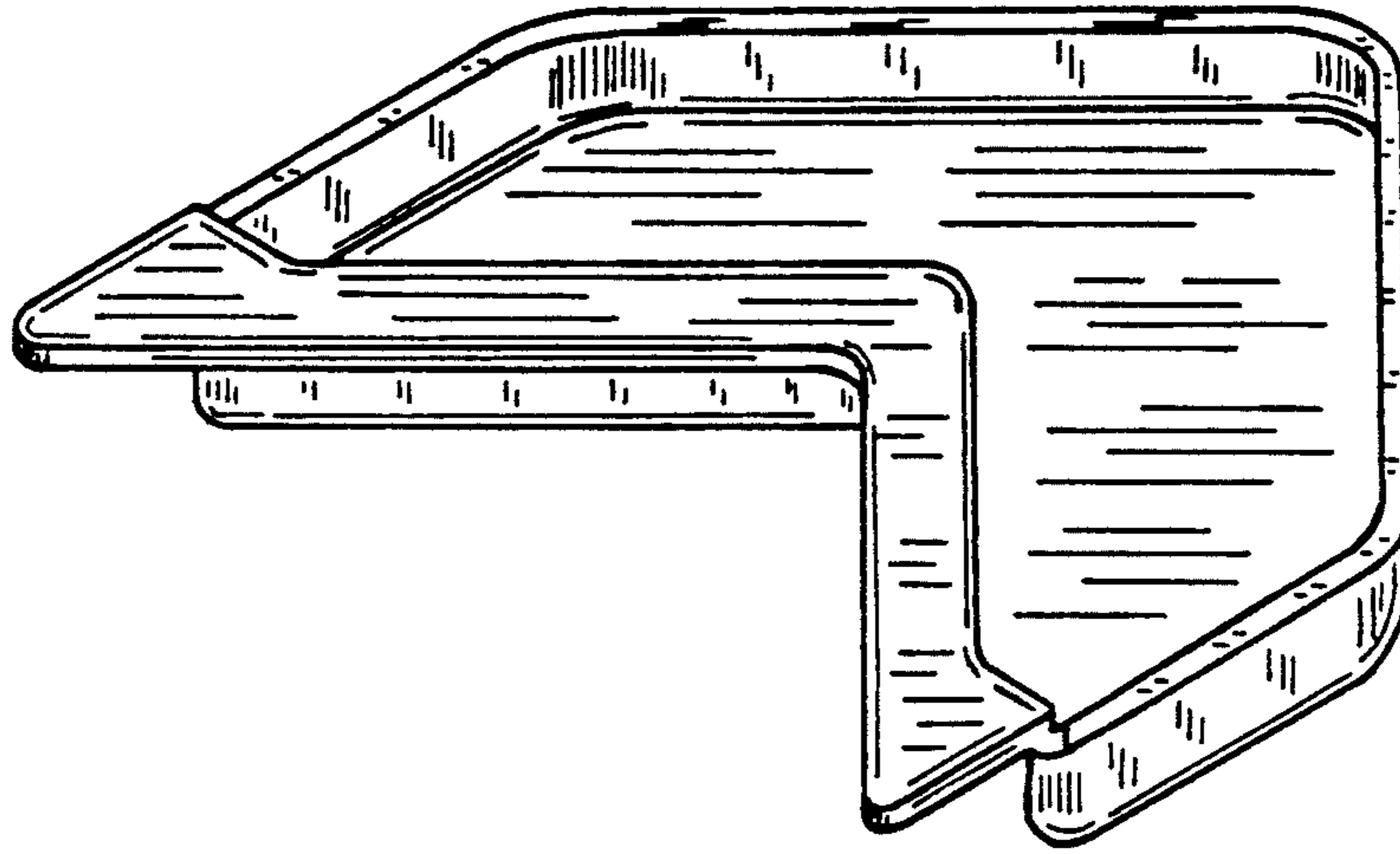


FIG. 8

