



US00D341073S

United States Patent [19]

[11] Patent Number: **Des. 341,073**

Omori

[45] Date of Patent: **** Nov. 9, 1993**

[54] **COMBINATION KEY AND LOCK FOR NUTS OR BOLTS**

*Attorney, Agent, or Firm—*Armstrong, Westerman, Hattori, McLeland & Naughton

[75] Inventor: **Shigeru Omori, Osaka, Japan**

[57] **CLAIM**

[73] Assignee: **Kyo-Ei Industrial Corporation, Osaka, Japan**

The ornamental design for a combination key and lock for nuts or bolts, as shown and described.

[**] Term: **14 Years**

DESCRIPTION

[21] Appl. No.: **765,066**

FIG. 1 is a front elevational view of a combination key and lock for nuts or bolts showing my new design;

[22] Filed: **Sep. 24, 1991**

FIG. 2 is a rear elevational view thereof;

[30] Foreign Application Priority Data

Sep. 26, 1990 [JP] Japan 2-32520

FIG. 3 is a left side elevational view thereof, with the key shown rotated ninety degrees, and the right side being a mirror image of that shown;

[52] U.S. Cl. **D8/346; D8/347**

FIG. 4 is a top plan view thereof, with the key shown rotated ninety degrees and the bottom being identical in appearance;

[58] Field of Search **D8/330-331, D8/343, 346-347, 382, 394; 411/371-374, 910; 70/14, 57-58, 158, 174, 336, 344, 408**

FIG. 5 is a front elevational view of the lock portion thereof, with the key omitted for clarity of illustration; FIG. 6 is a right side elevational view of the key portion thereof, with the lock omitted for clarity of illustration, and the left side being a mirror image of that shown;

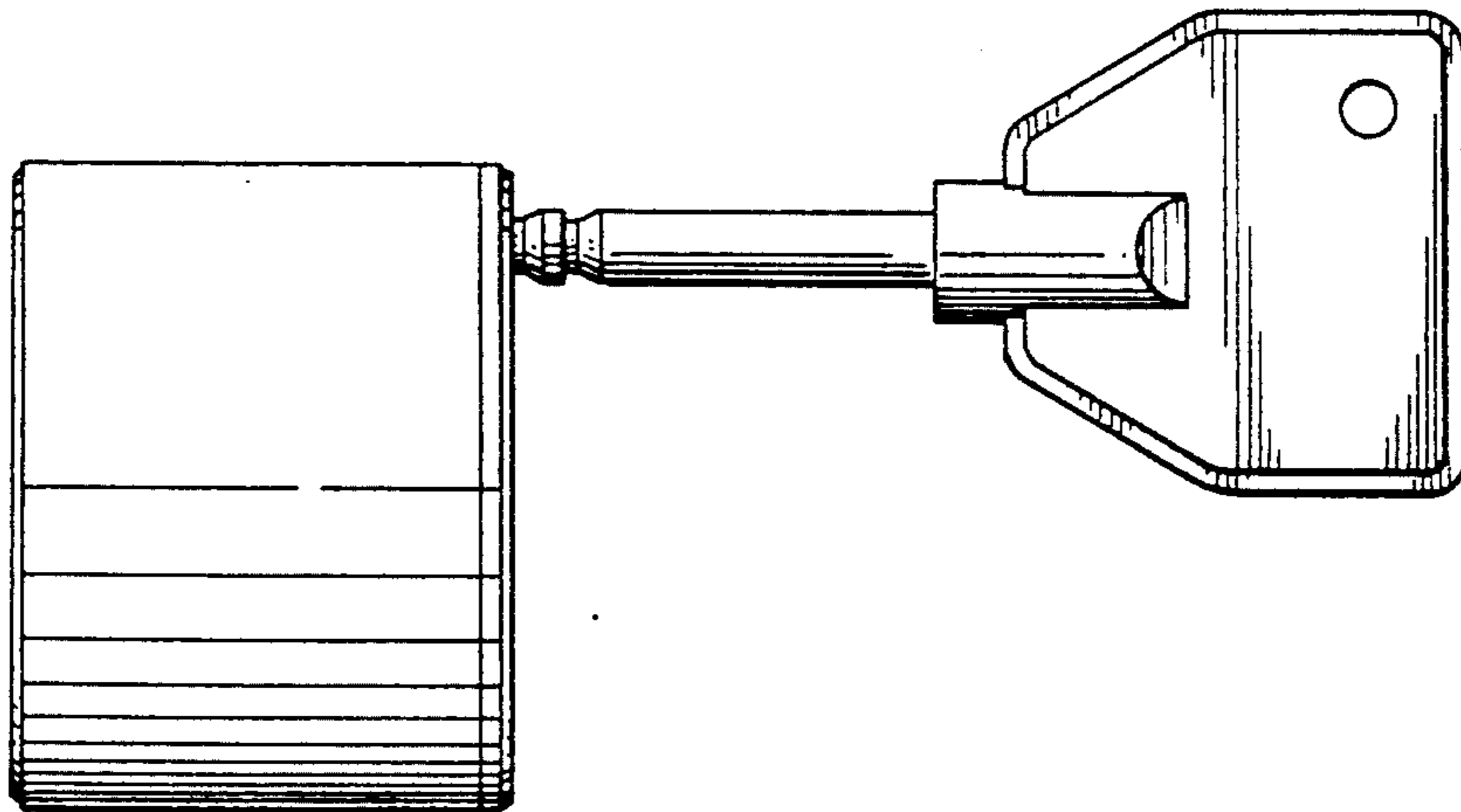
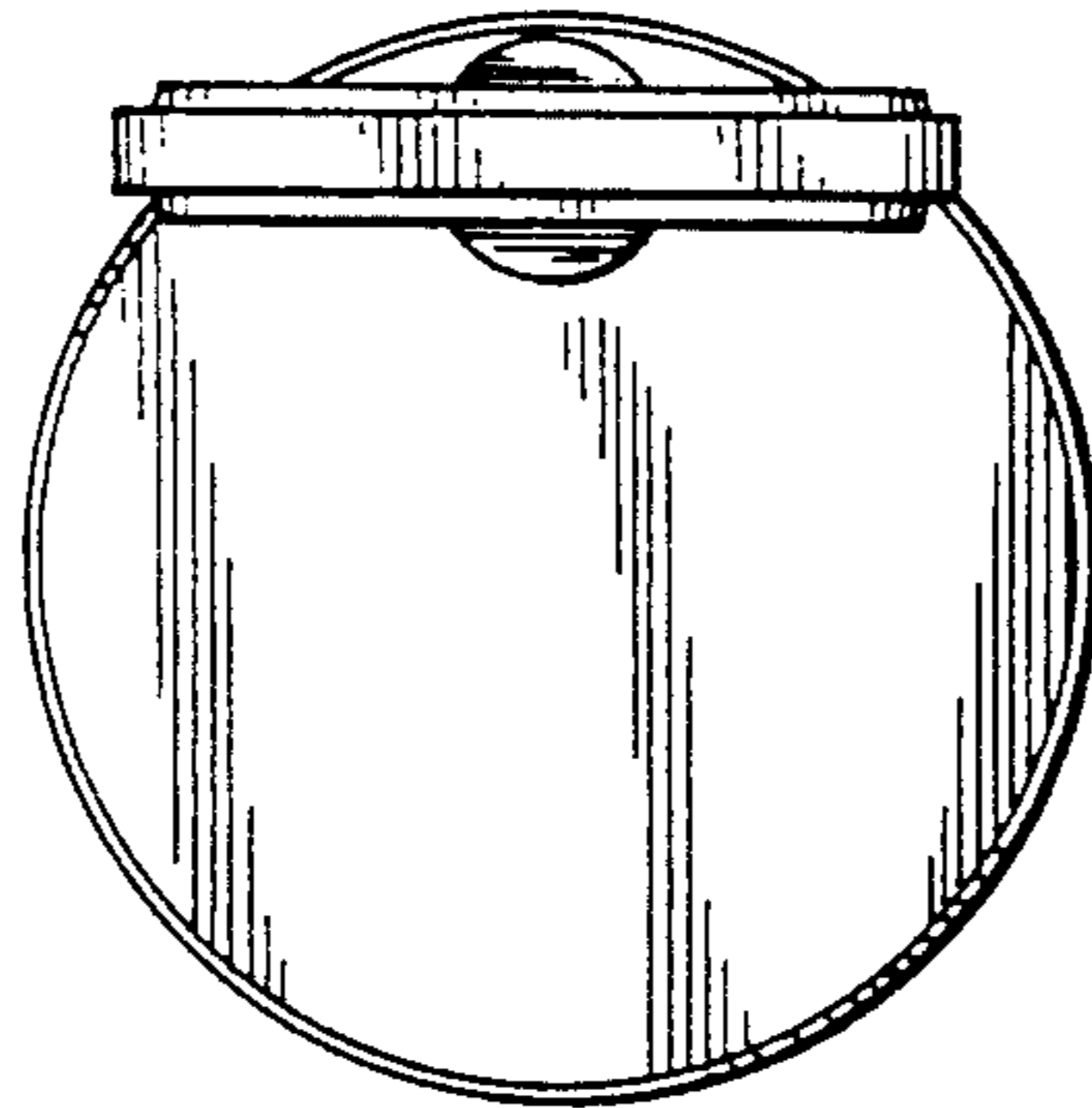
[56] References Cited

U.S. PATENT DOCUMENTS

3,279,838 10/1966 Hamilton 411/910 X
4,574,602 3/1986 Furuse 411/910 X

FIG. 7 is a vertical cross-sectional view of the lock portion thereof, taken along line 7-7 of FIG. 5; and, FIG. 8 is an enlarged fragmentary horizontal cross-sectional view of the key portion thereof, taken along line 8-8 of FIG. 6.

*Primary Examiner—*Brian N. Vinson



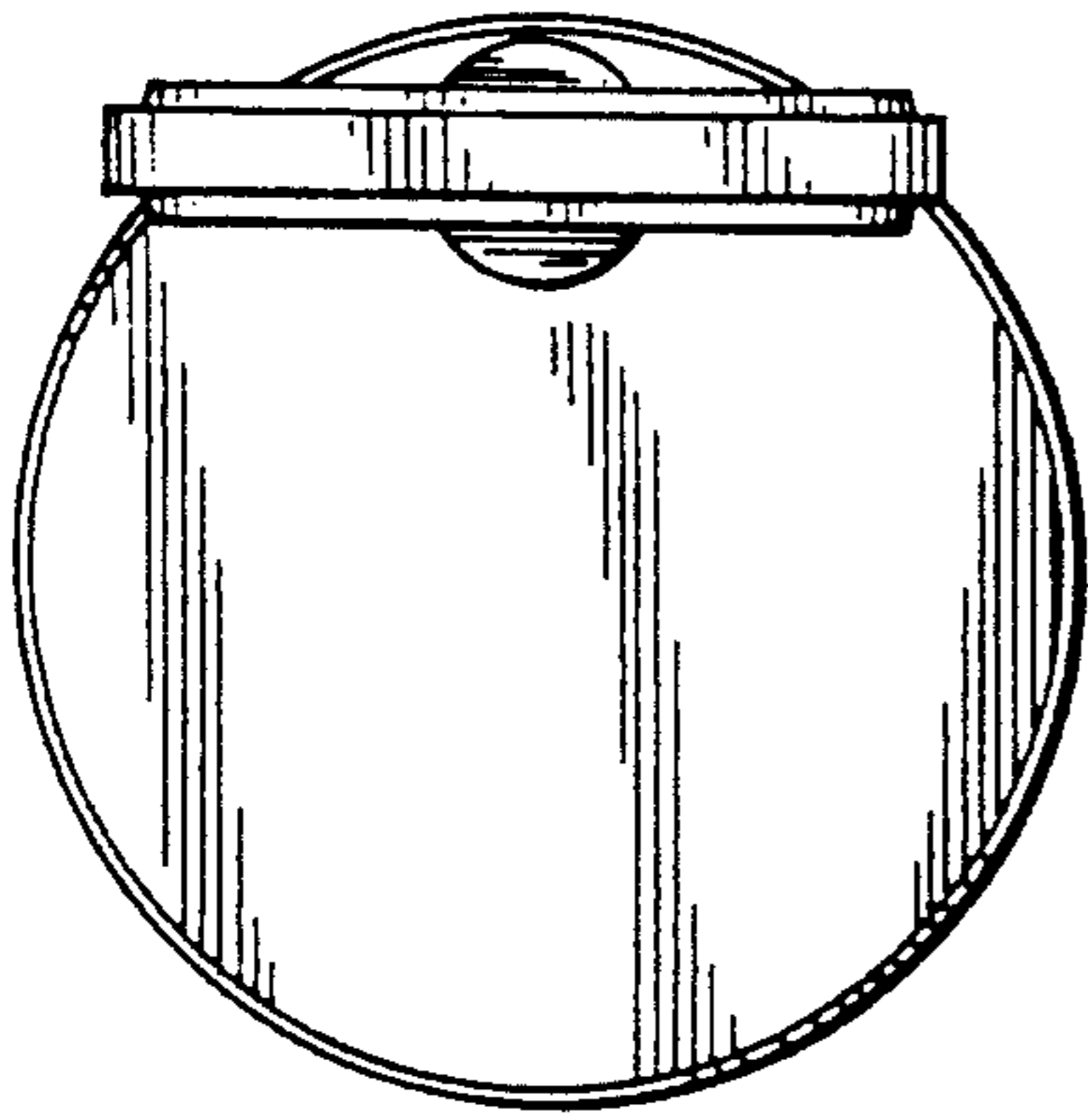


Fig. 1

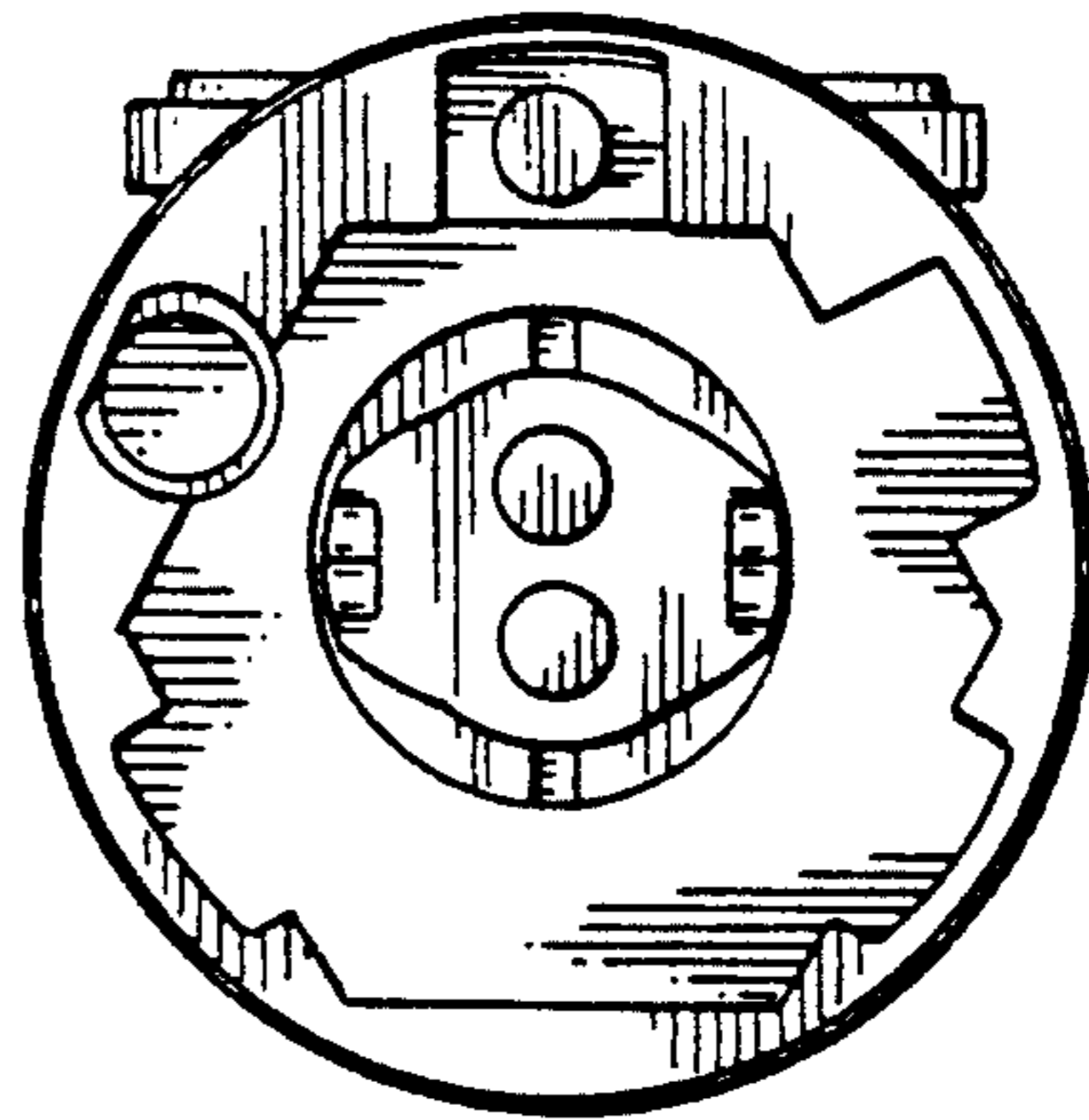


Fig. 2

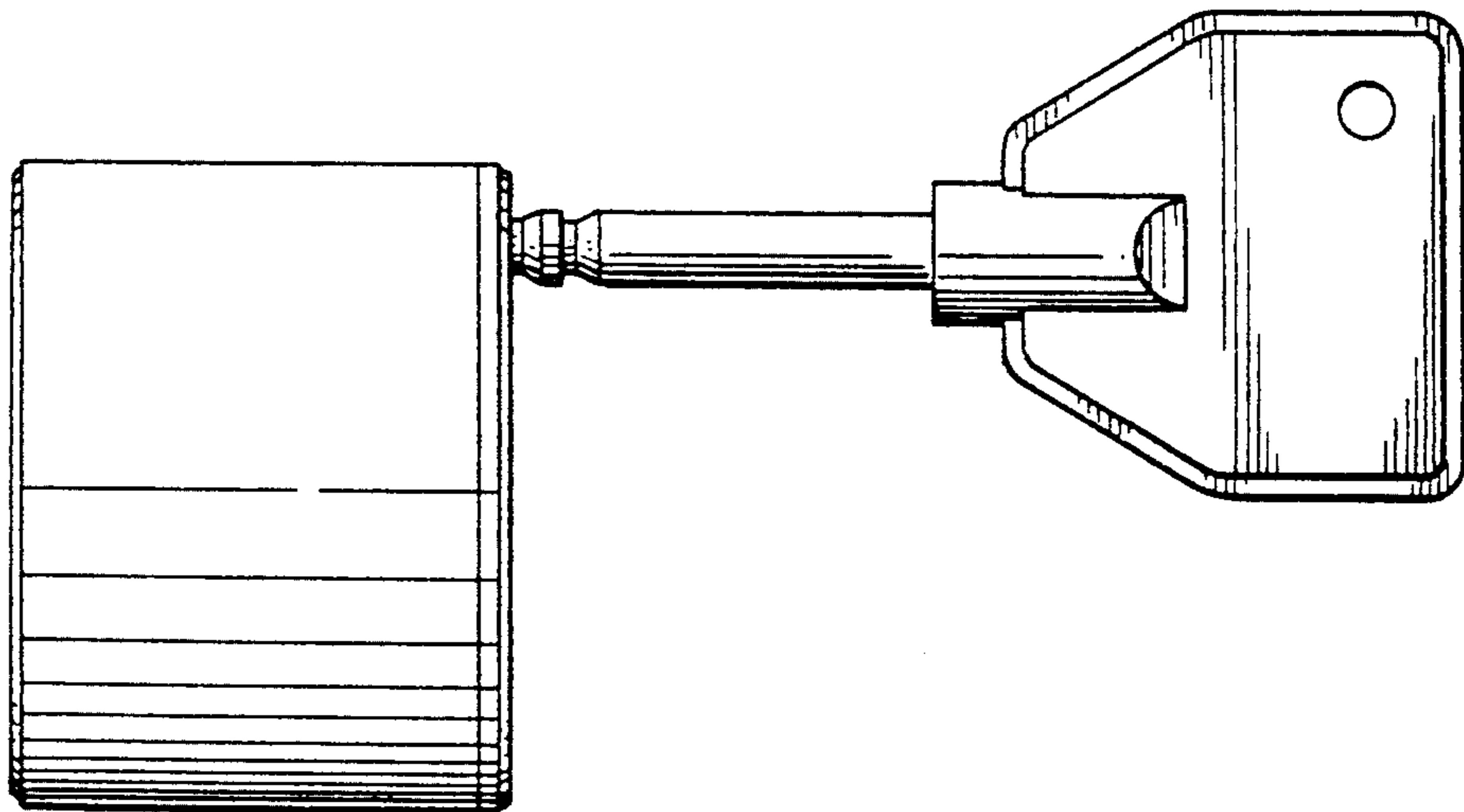


Fig. 3

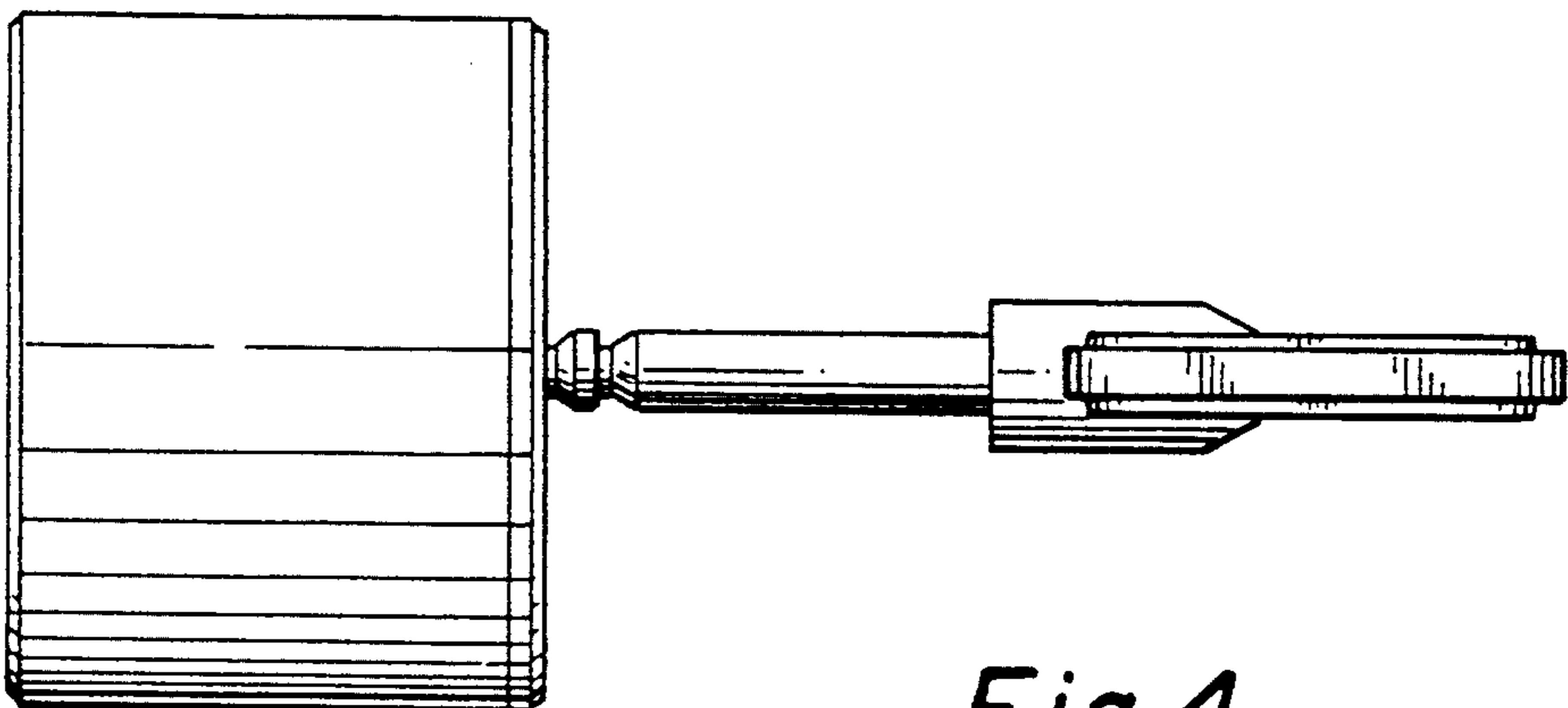


Fig. 4

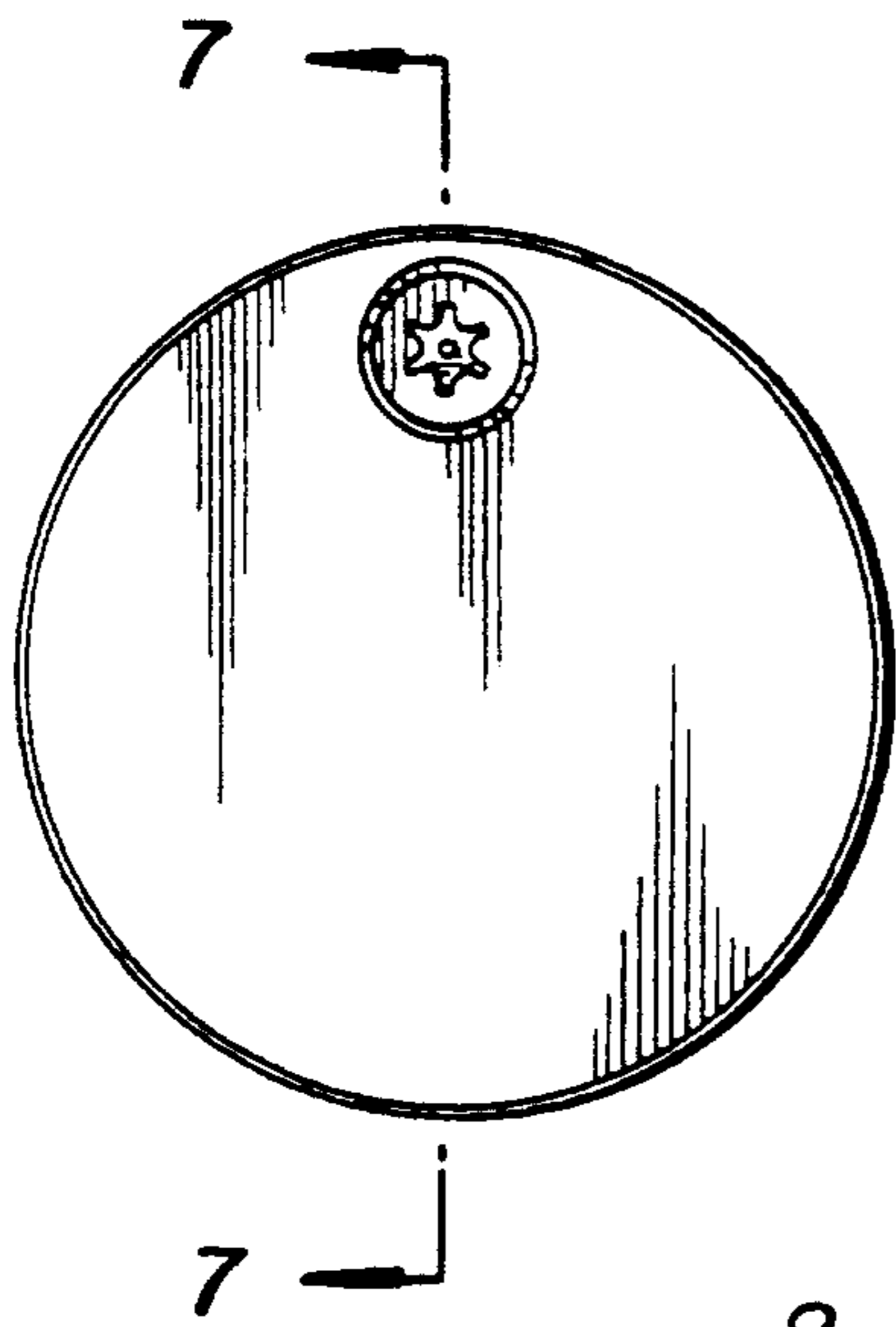


Fig. 5

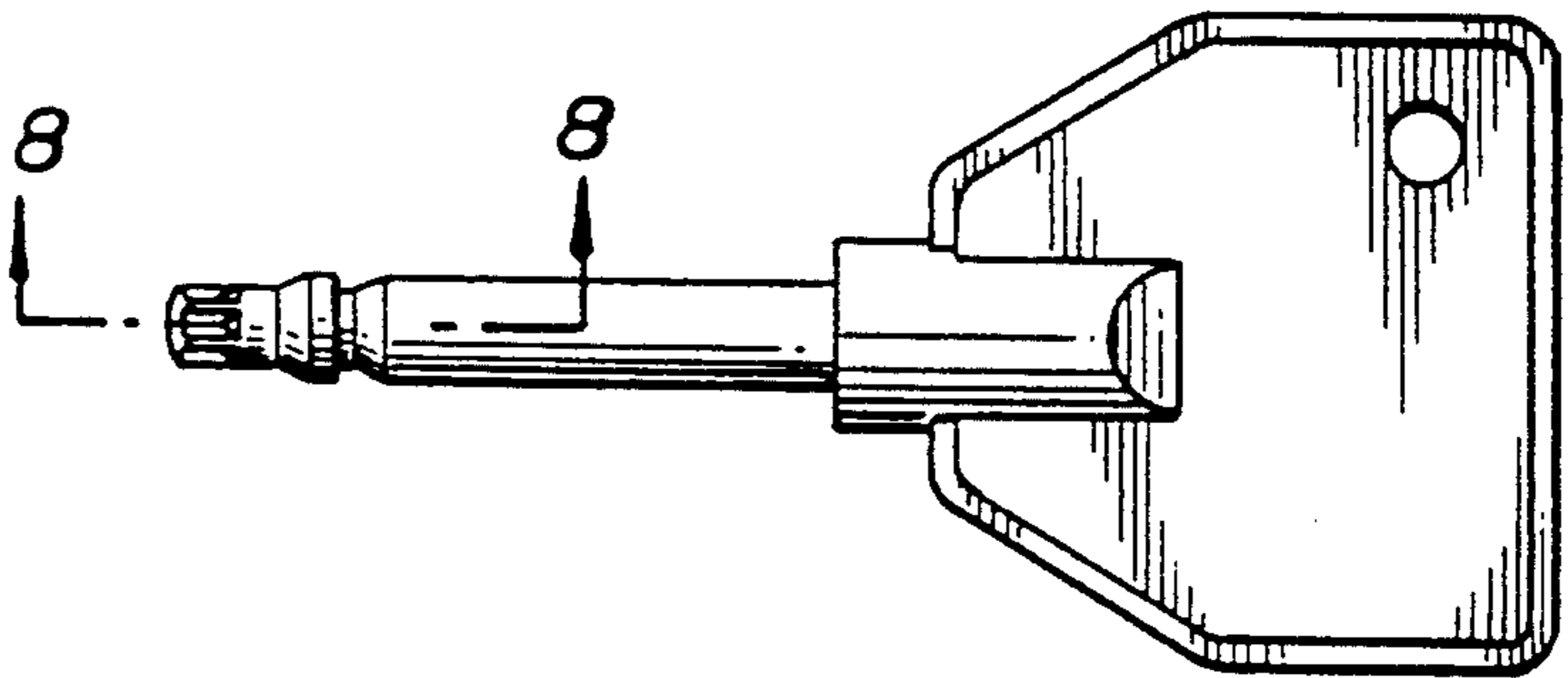


Fig. 6

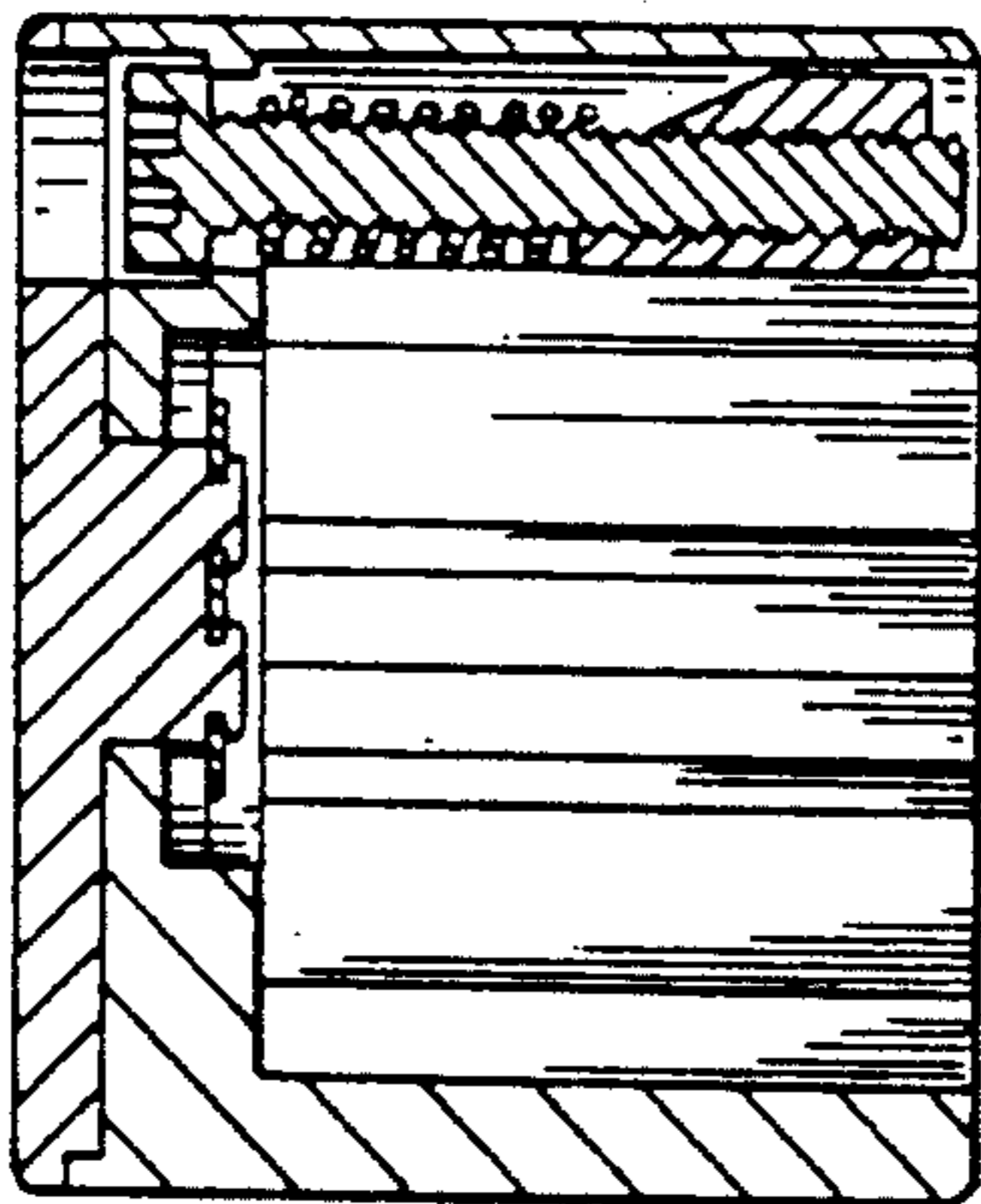


Fig. 7

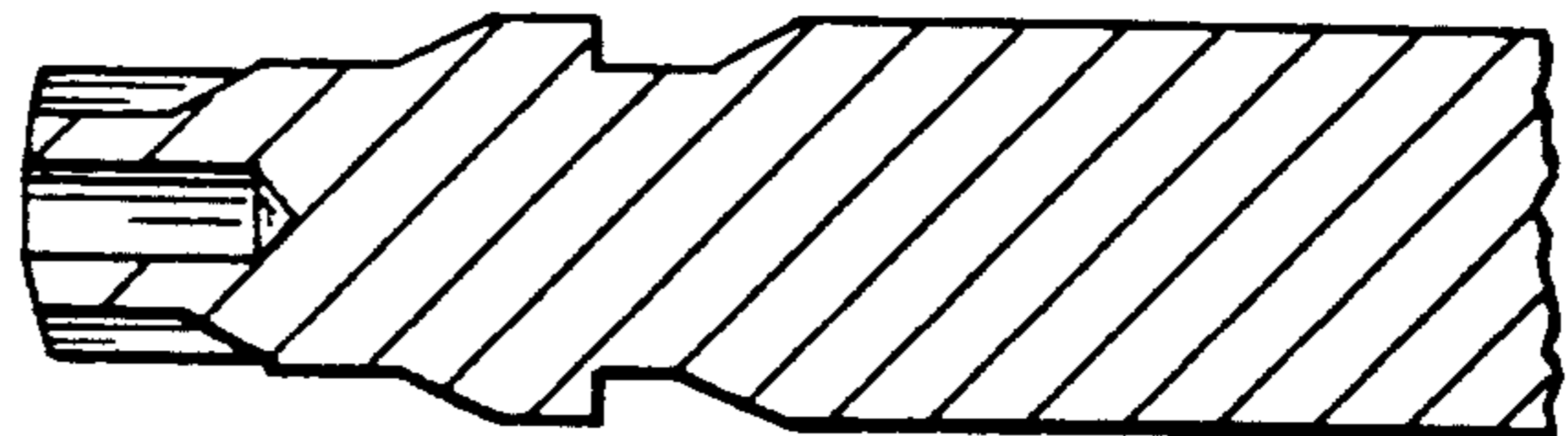


Fig. 8