



US00D341072S

United States Patent [19]

[11] Patent Number: **Des. 341,072**

Bryant

[45] Date of Patent: **** Nov. 9, 1993**

[54] **PISTOL LOCK**

[76] Inventor: **Motty B. Bryant**, 22830 County RD
62N, Robertsdale, Ala. 36567

[**] Term: **14 Years**

[21] Appl. No.: **732,697**

[22] Filed: **Jul. 19, 1991**

[52] U.S. Cl. **D8/336; D22/108**

[58] Field of Search **D22/108; D8/349, 336;**
42/62, 66, 67, 70.01, 70.04, 70.05, 70.06, 70.08,
70.07, 70.11

4,999,940 3/1991 Madden 42/70.11
 5,001,854 3/1991 Derman 42/70.11
 5,010,675 4/1991 Selleck 42/70.11
 5,048,212 9/1991 Mossberg 42/70.11

Primary Examiner—A. Hugo Word
Assistant Examiner—Doris V. Coles
Attorney, Agent, or Firm—Terry M. Gernstein

[57] CLAIM

The ornamental design for a pistol lock, as shown and described.

DESCRIPTION

FIG. 1 is a perspective view of a pistol lock in the open position, showing my new design;
 FIG. 2 is a front elevational view in the closed position;
 FIG. 3 is a rear elevational view thereof;
 FIG. 4 is a side elevational view thereof;
 FIG. 5 is a side elevational view thereof;
 FIG. 6 is a top plan view thereof; and,
 FIG. 7 is a bottom view thereof.

[56] **References Cited**
U.S. PATENT DOCUMENTS

955,237 4/1910 Westcott 42/70.07 X
 1,686,482 10/1928 Windle 42/70.07
 2,664,658 1/1954 Bjorklund 42/70.07 X
 3,031,787 5/1962 Womble, Jr. 42/70.01
 3,368,297 2/1968 Lentz 42/70.07
 4,569,144 2/1986 Thurber 42/70.11

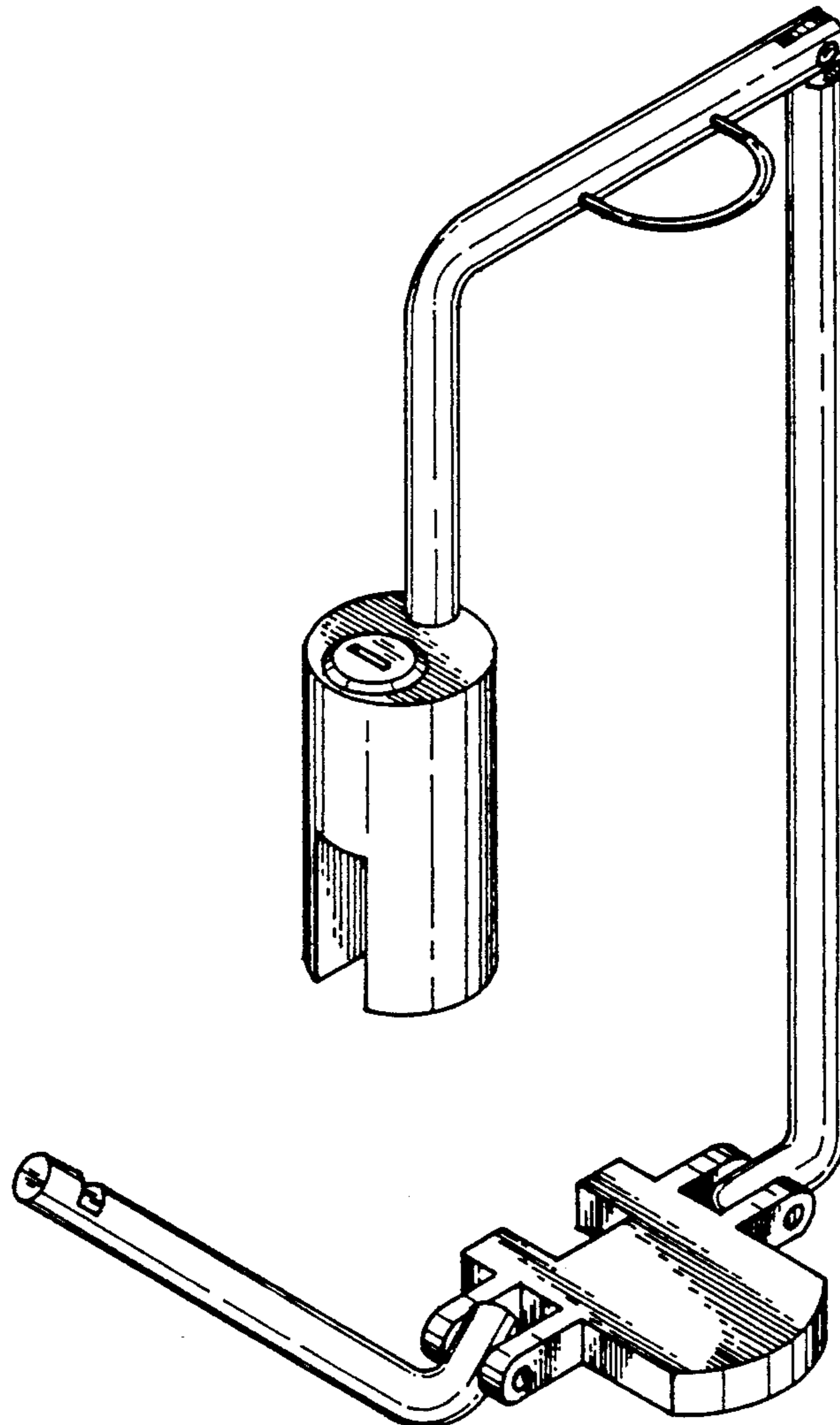
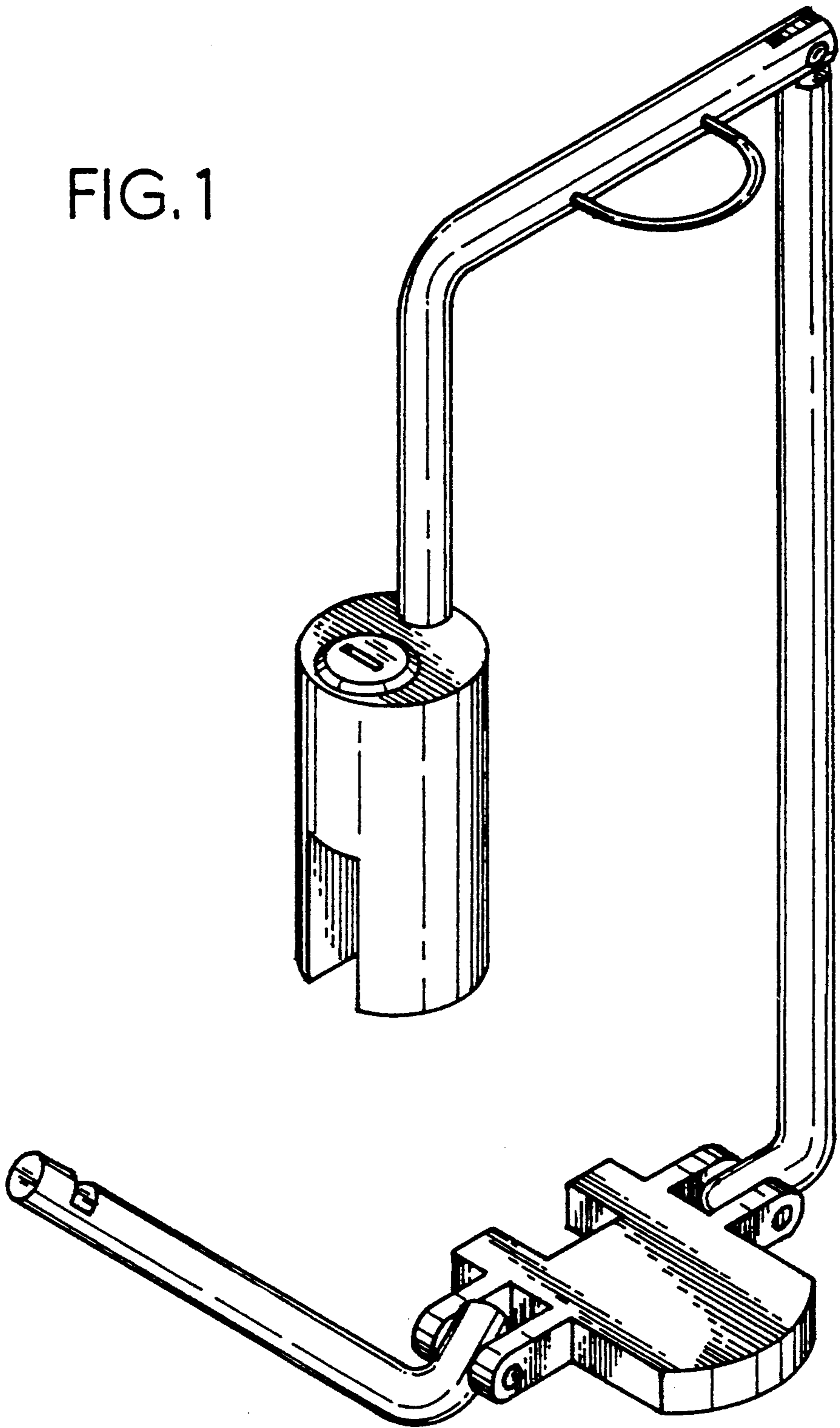


FIG. 1



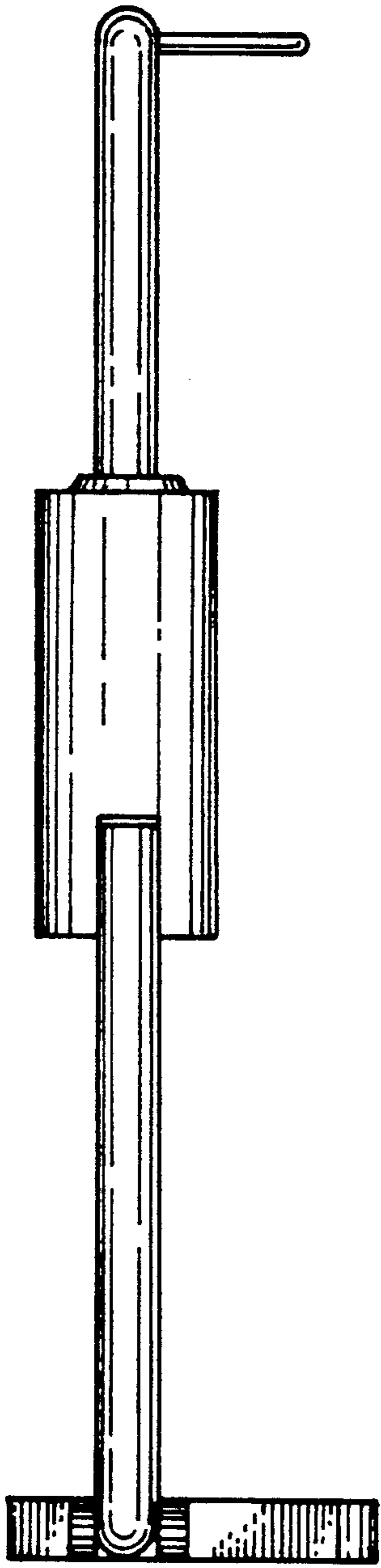


FIG. 2

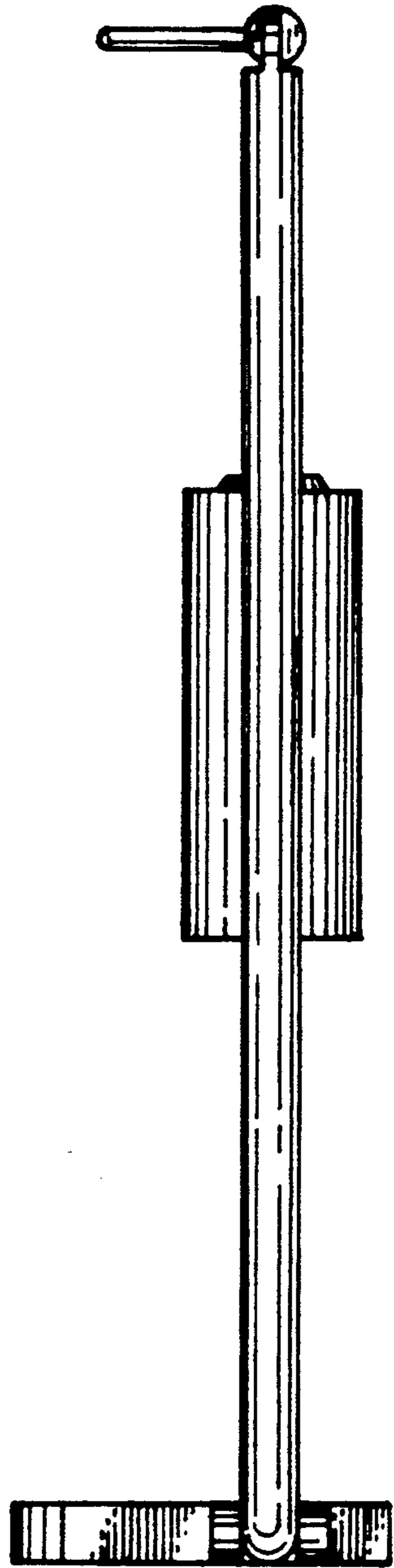


FIG. 3

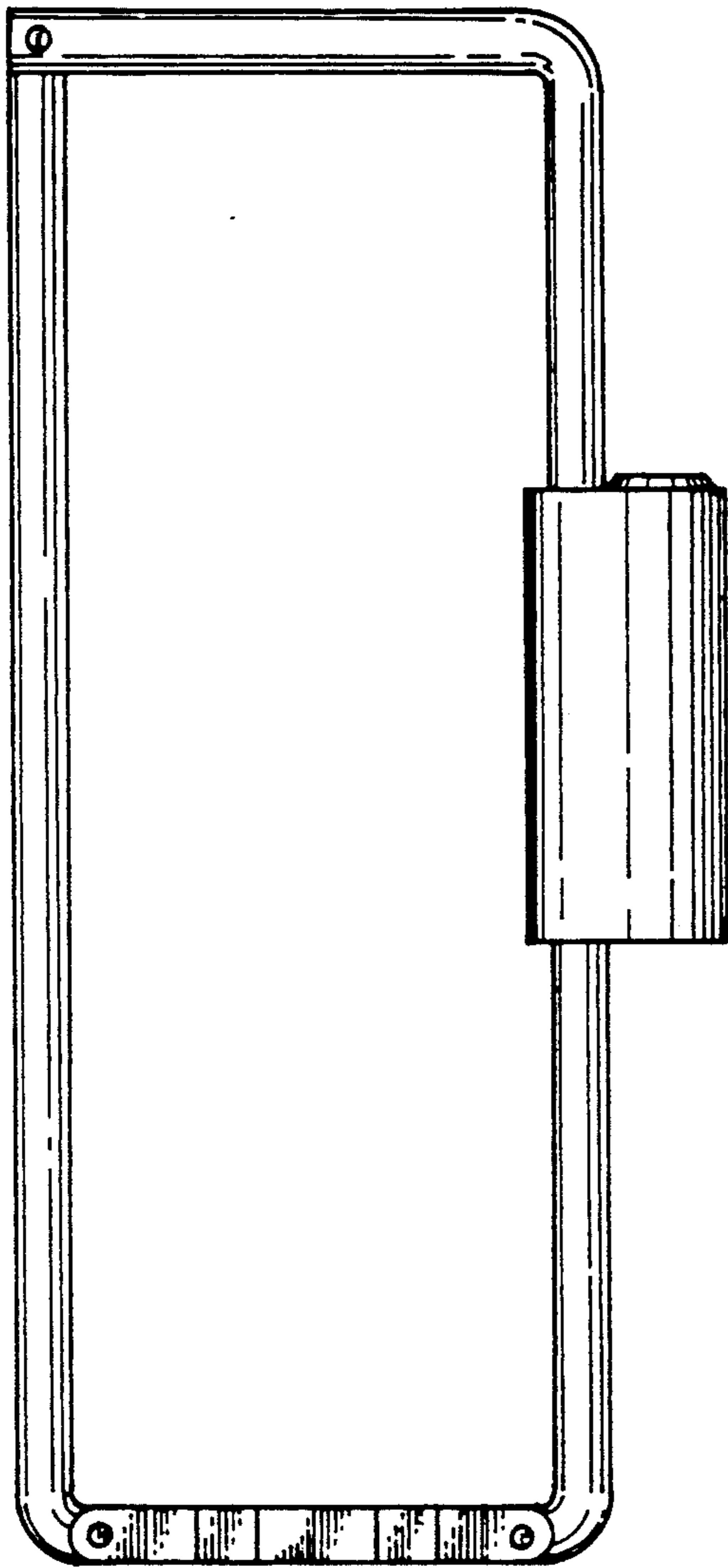


FIG. 4

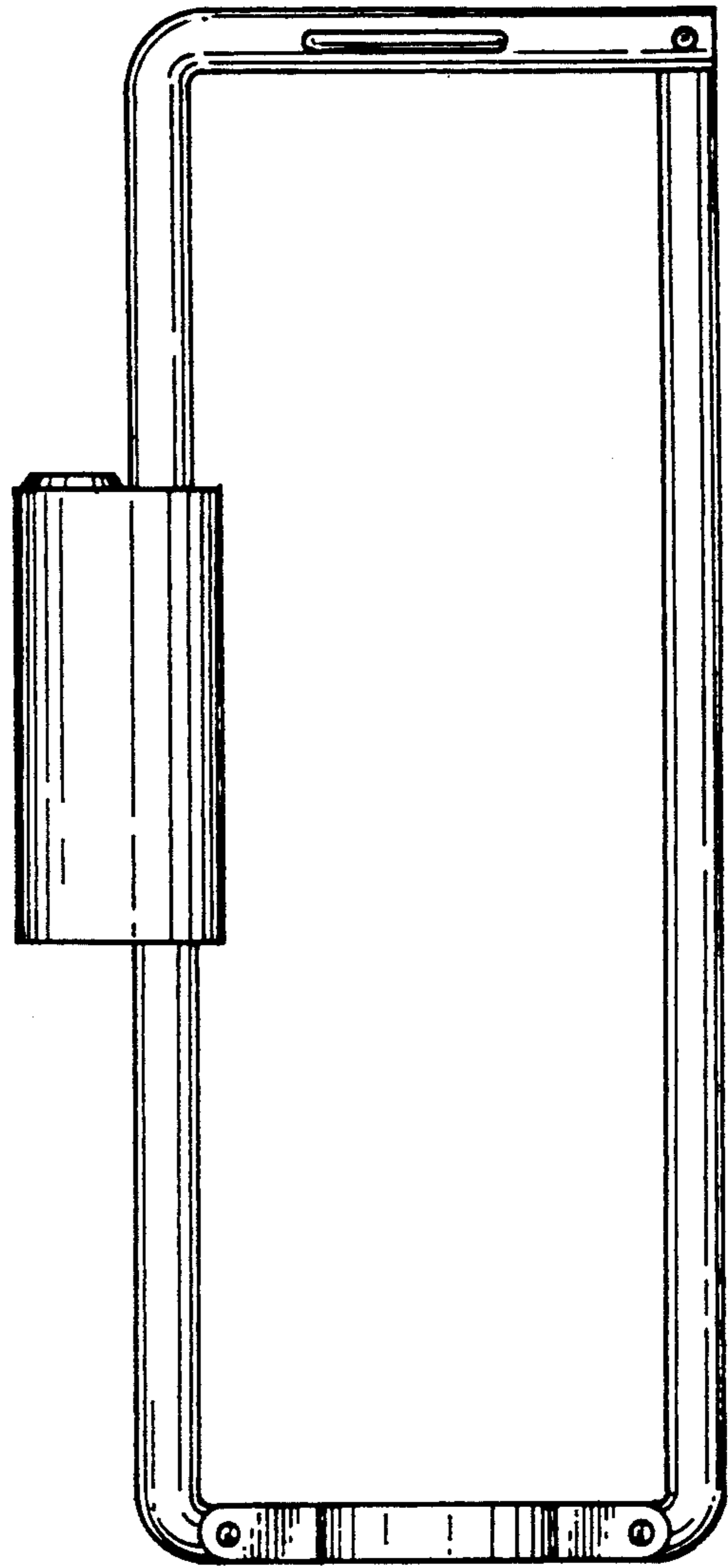


FIG. 5

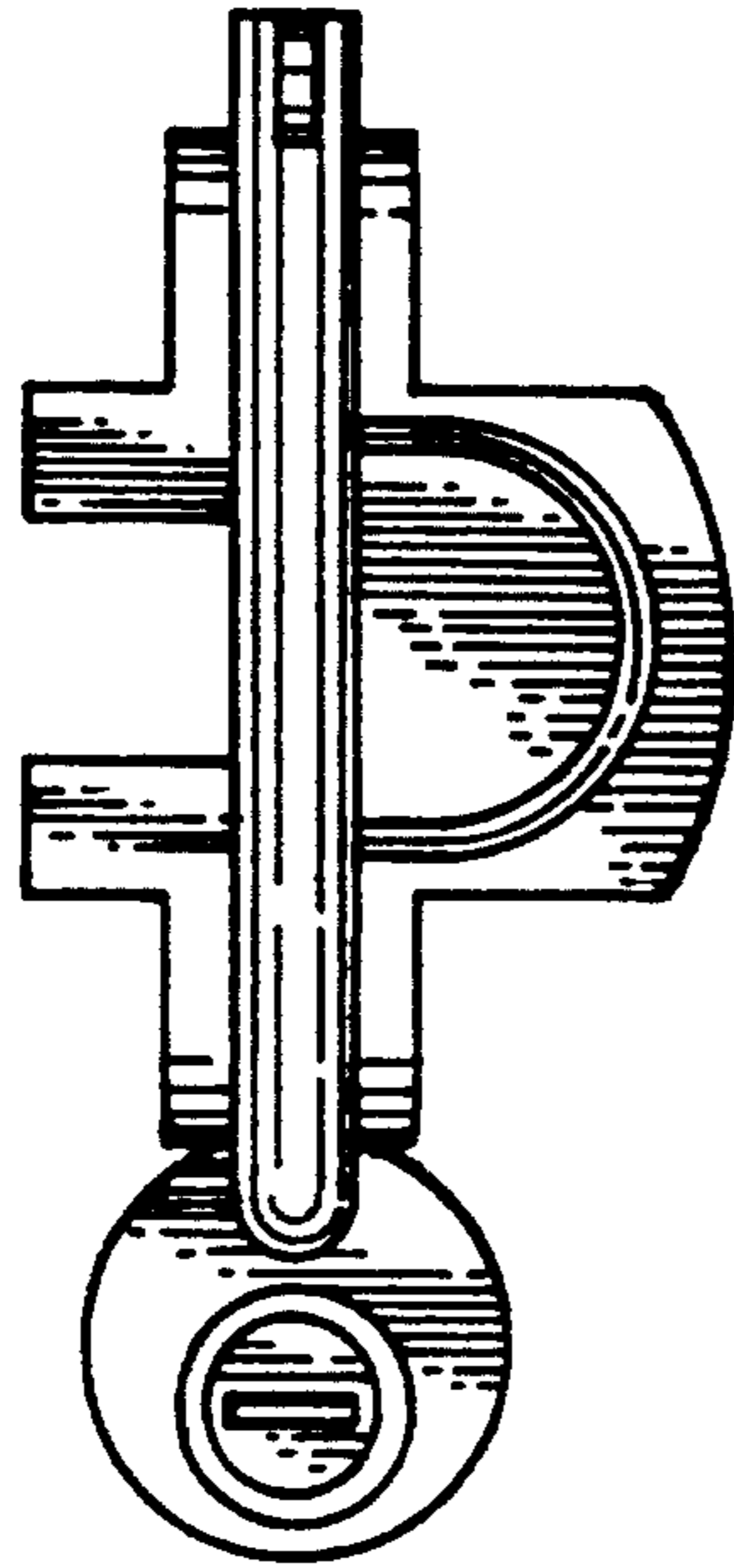


FIG. 6

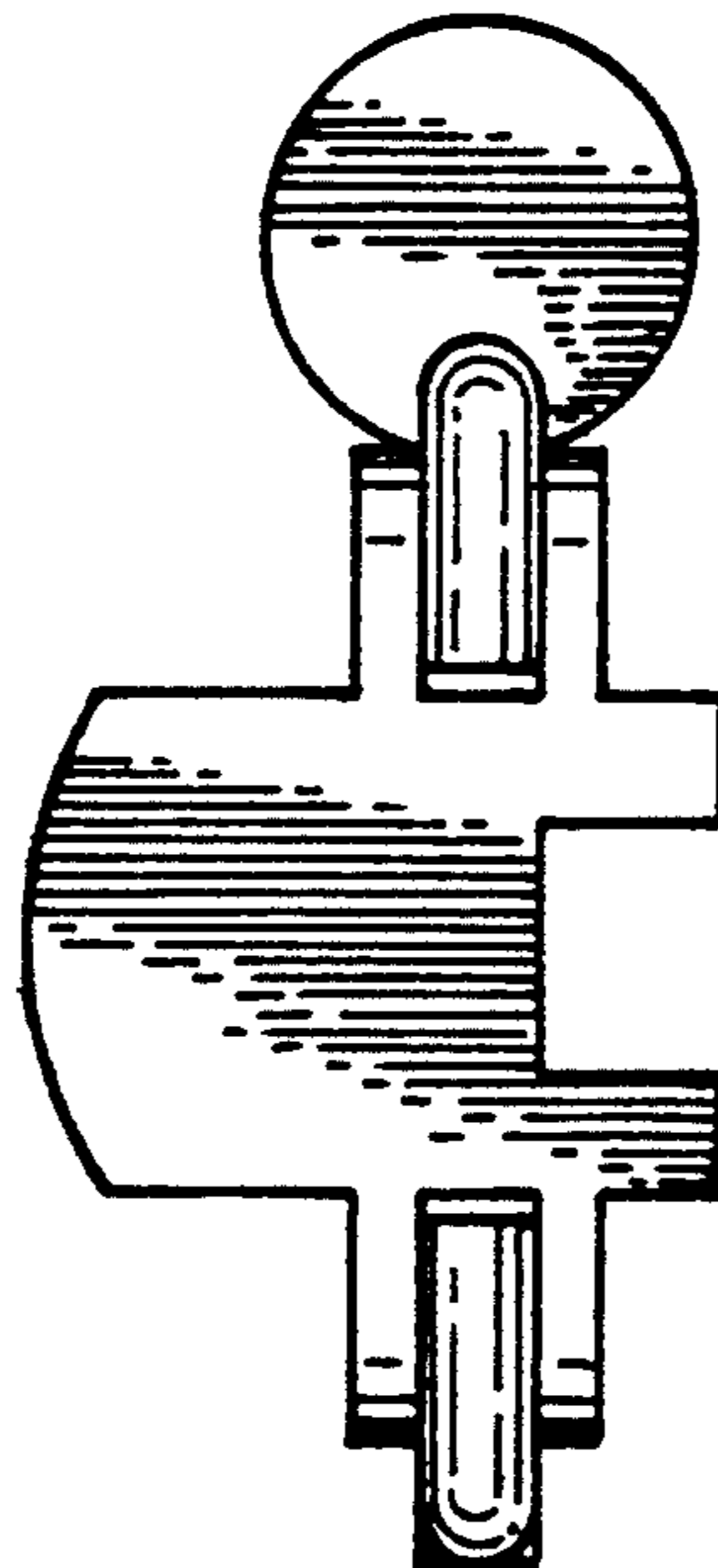


FIG. 7