



US00D341068S

# United States Patent [19]

[11] Patent Number: **Des. 341,068**

Lallier

[45] Date of Patent: **\*\* Nov. 9, 1993**

[54] **ROUTER DEVICE**

4,779,327 10/1988 Vander Maas ..... 408/20  
5,025,548 5/1991 Justesen ..... 408/20

[76] Inventor: **Guy Lallier**, 3837 Coco Plum Cir.,  
Karanda Village 3, Pompano Beach,  
Fla. 33063

*Primary Examiner*—Alan P. Douglas  
*Assistant Examiner*—Jeffry H. Musgrove  
*Attorney, Agent, or Firm*—Fishman, Dionne & Cantor

[\*\*] Term: **14 Years**

[57] **CLAIM**

[21] Appl. No.: **469**

The ornamental design for a router device, as shown and described.

[22] Filed: **Oct. 15, 1992**

**Related U.S. Application Data**

[63] Continuation-in-part of Ser. No. 784,315, Oct. 28, 1991.  
[52] U.S. Cl. .... **D8/70**  
[58] Field of Search ..... D8/61, 70; 30/500;  
81/57.11; 408/20, 21, 22, 26, 35; 29/560

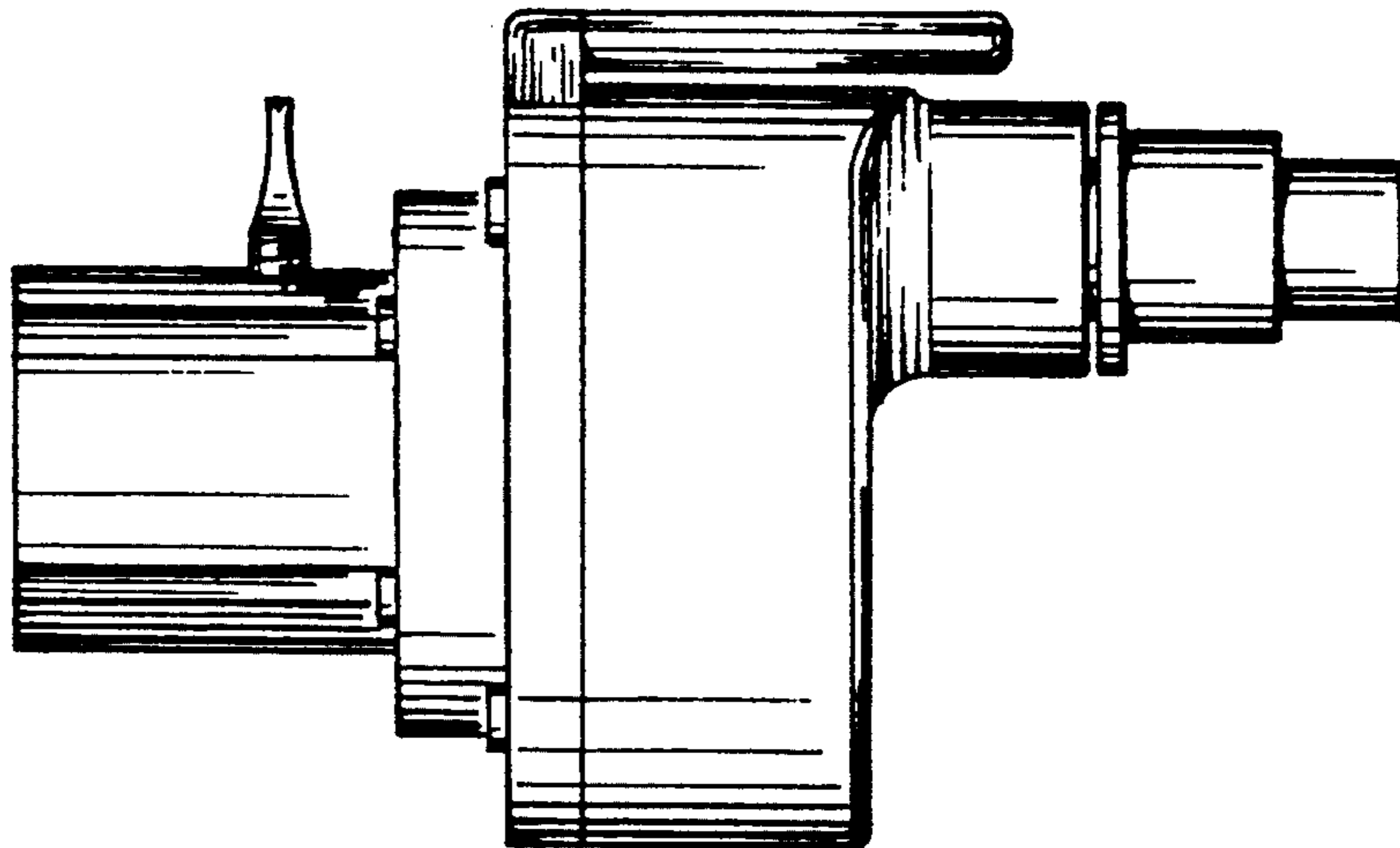
**DESCRIPTION**

FIG. 1 is a left side elevational view of a router device in accordance with the present invention;  
FIG. 2 is a top view of the router device in FIG. 1;  
FIG. 3 is a bottom view of the router device in FIG. 1;  
FIG. 4 is a right side elevational view of the router device in FIG. 1;  
FIG. 5 is a rear end view of the router device in FIG. 1; and,  
FIG. 6 is a front end view of the router device in FIG. 1.

[56] **References Cited**

**U.S. PATENT DOCUMENTS**

3,800,838 4/1974 Morse ..... 408/20  
3,806,272 4/1974 Muller ..... 408/20



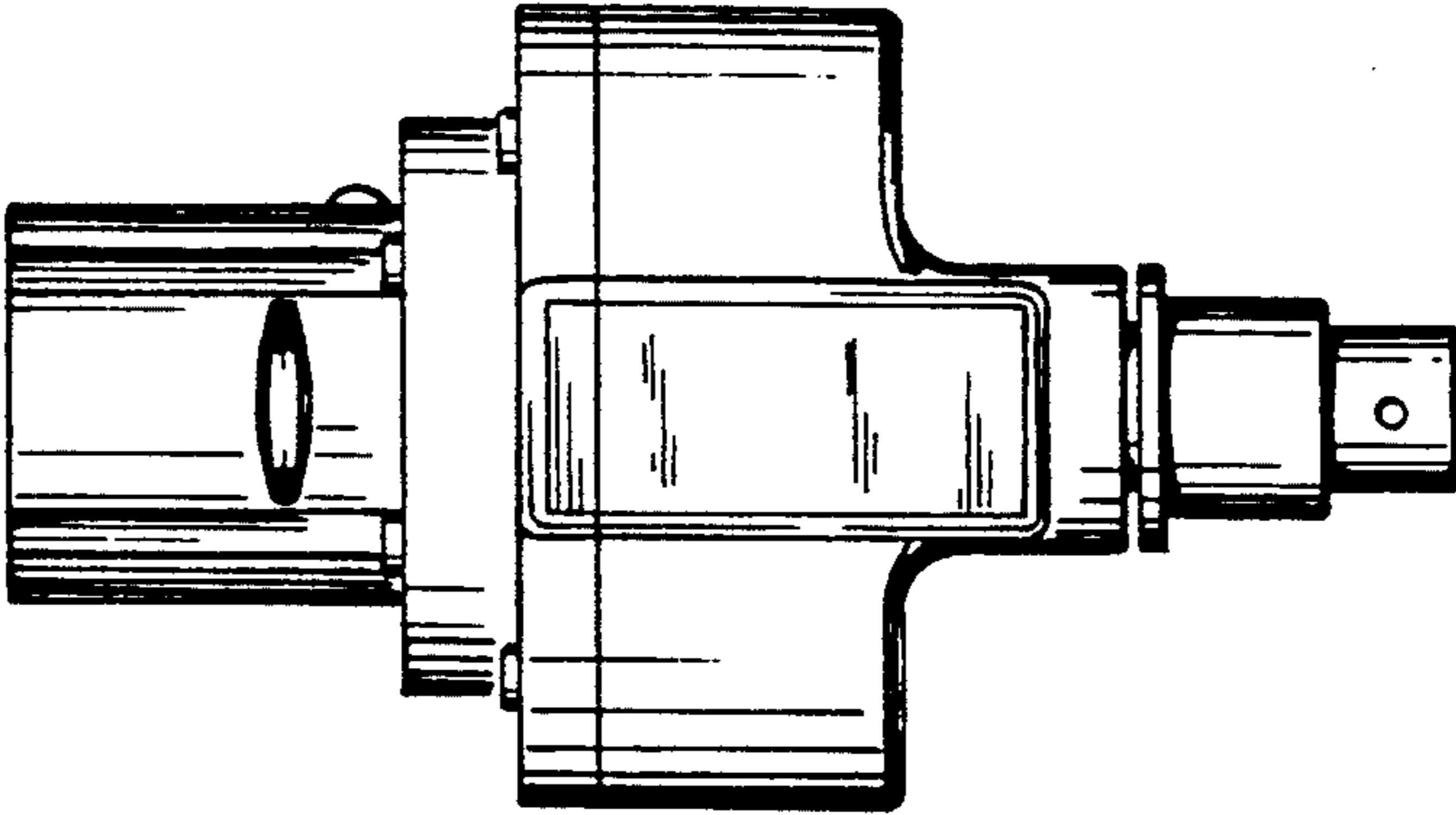


FIG. 2

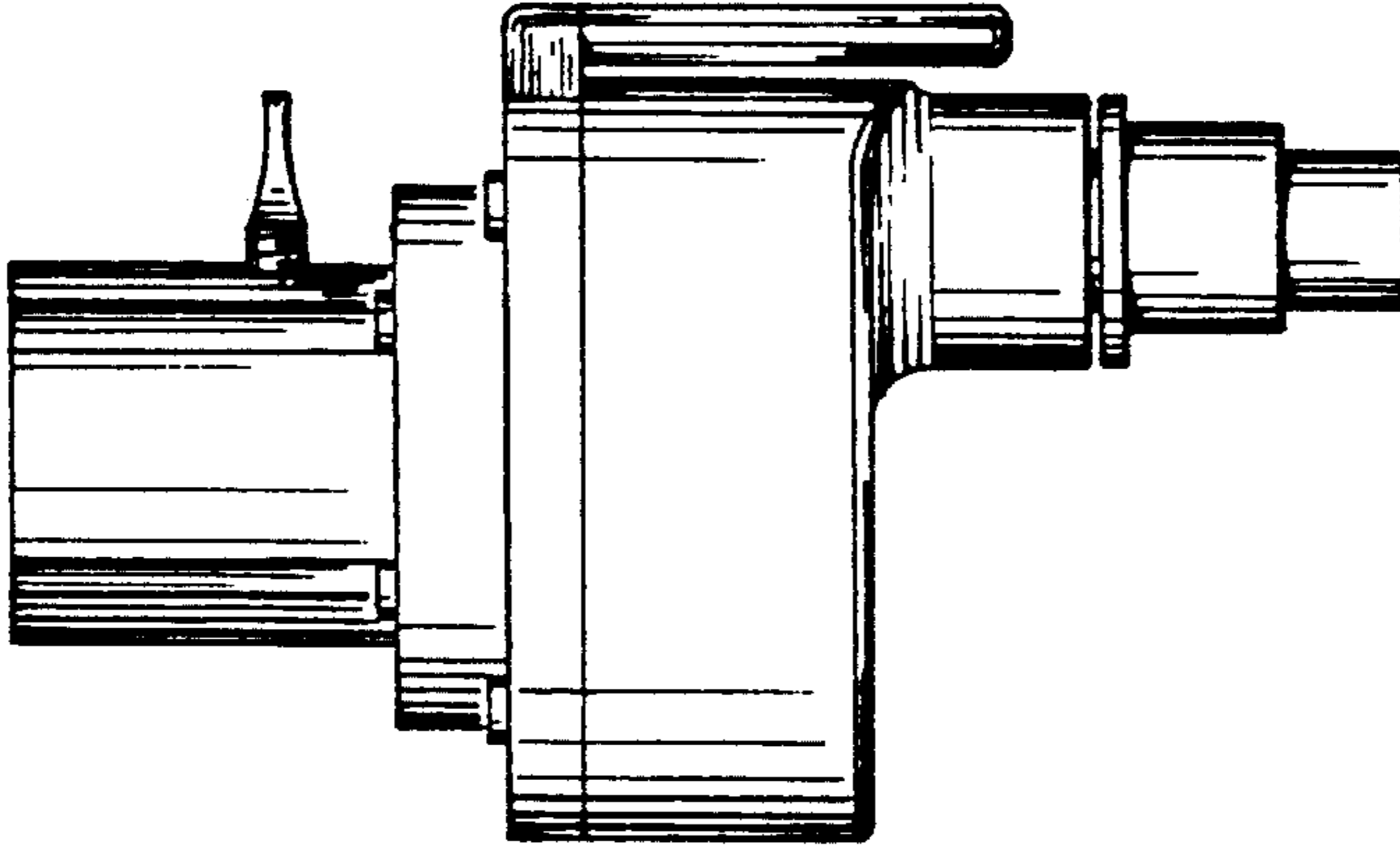


FIG. 1

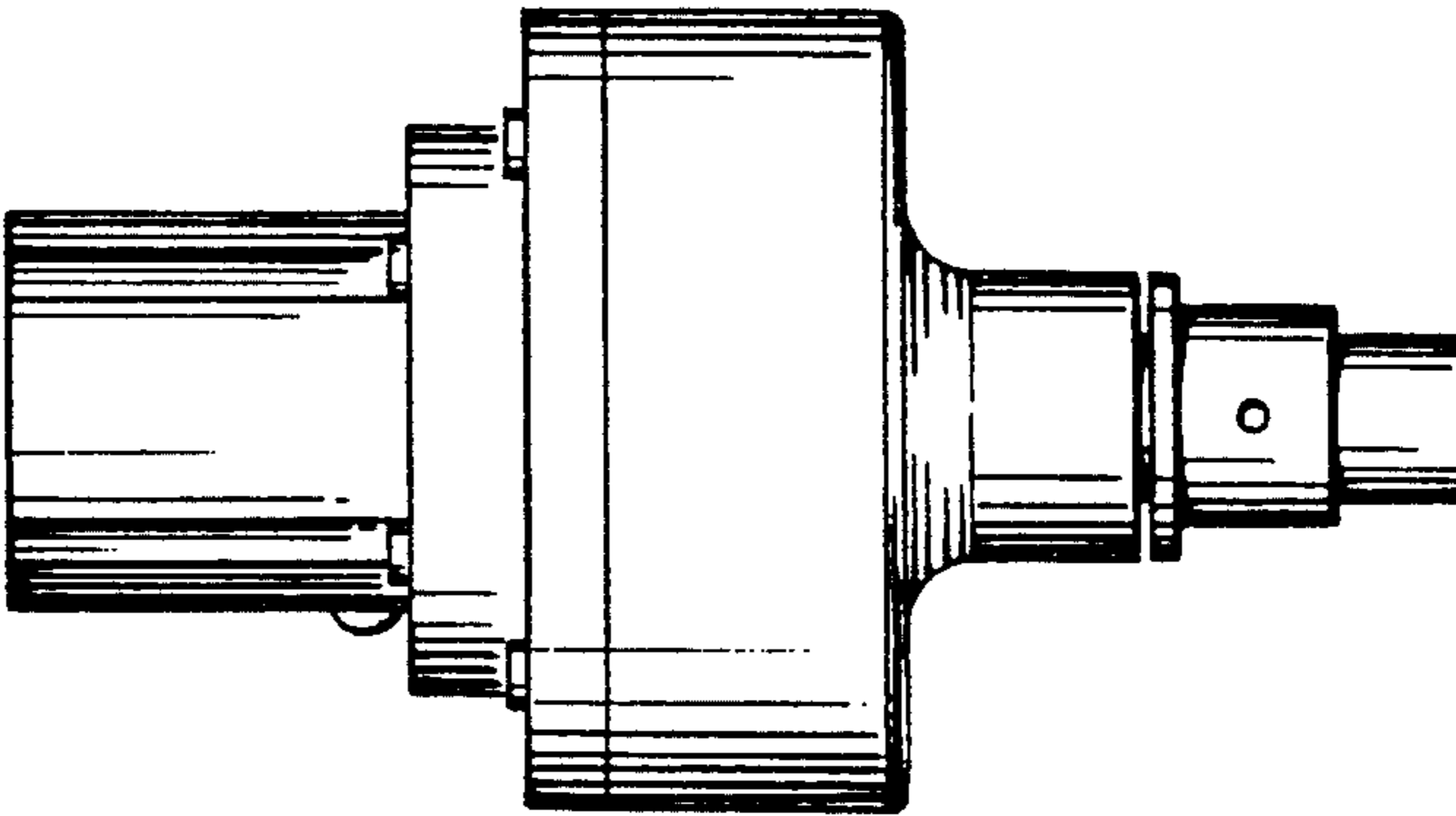


FIG. 3

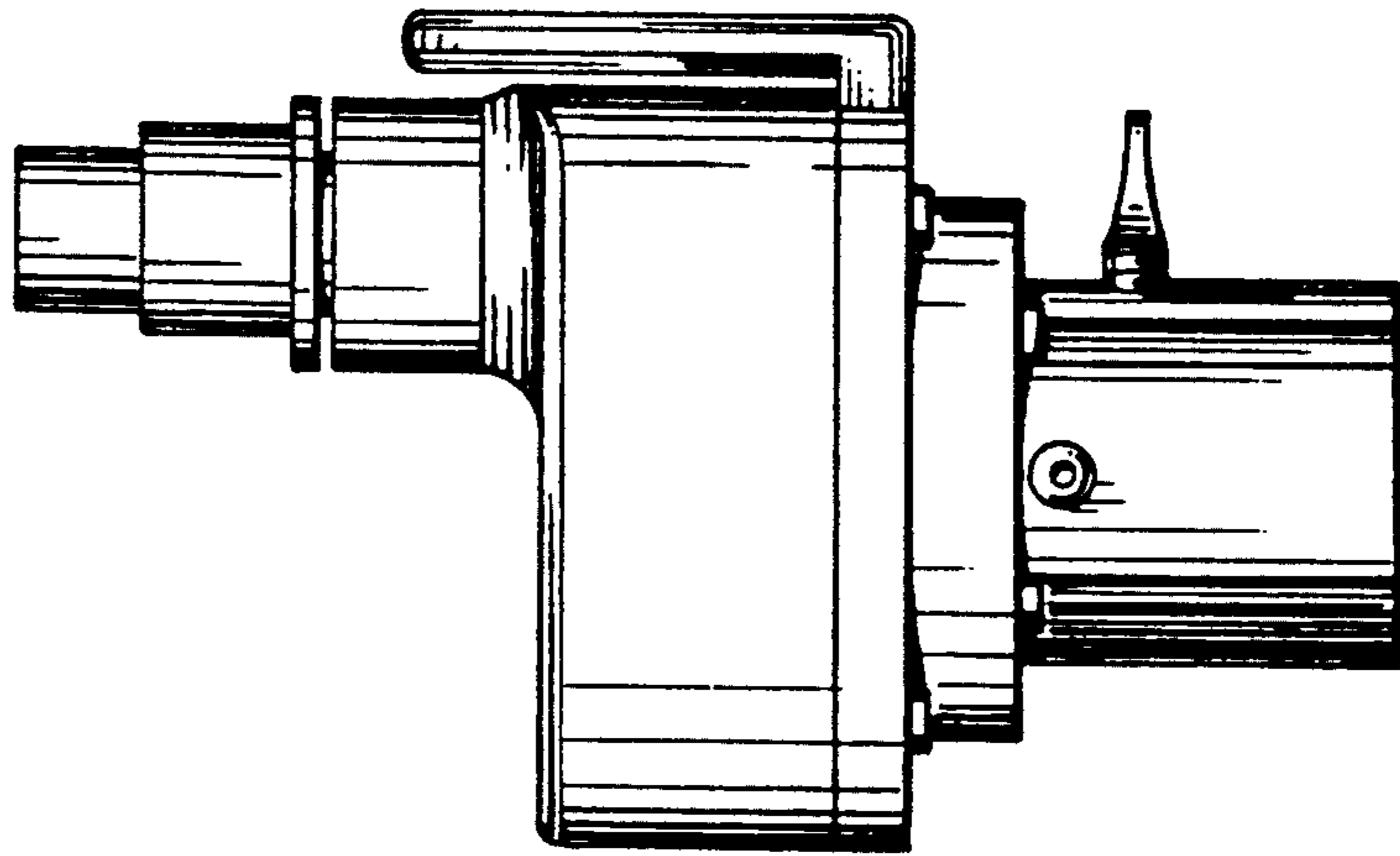


FIG. 4

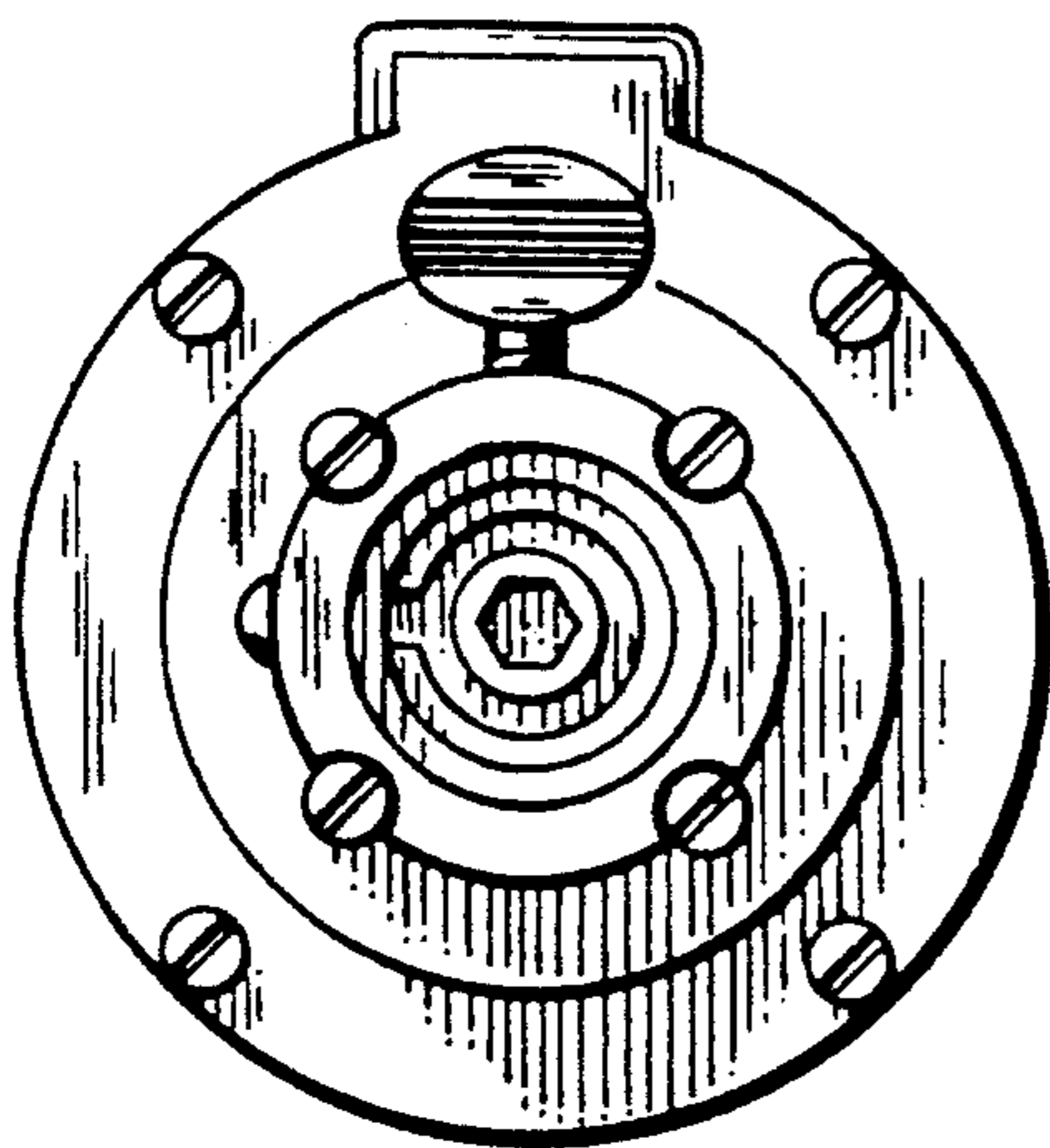


FIG. 5

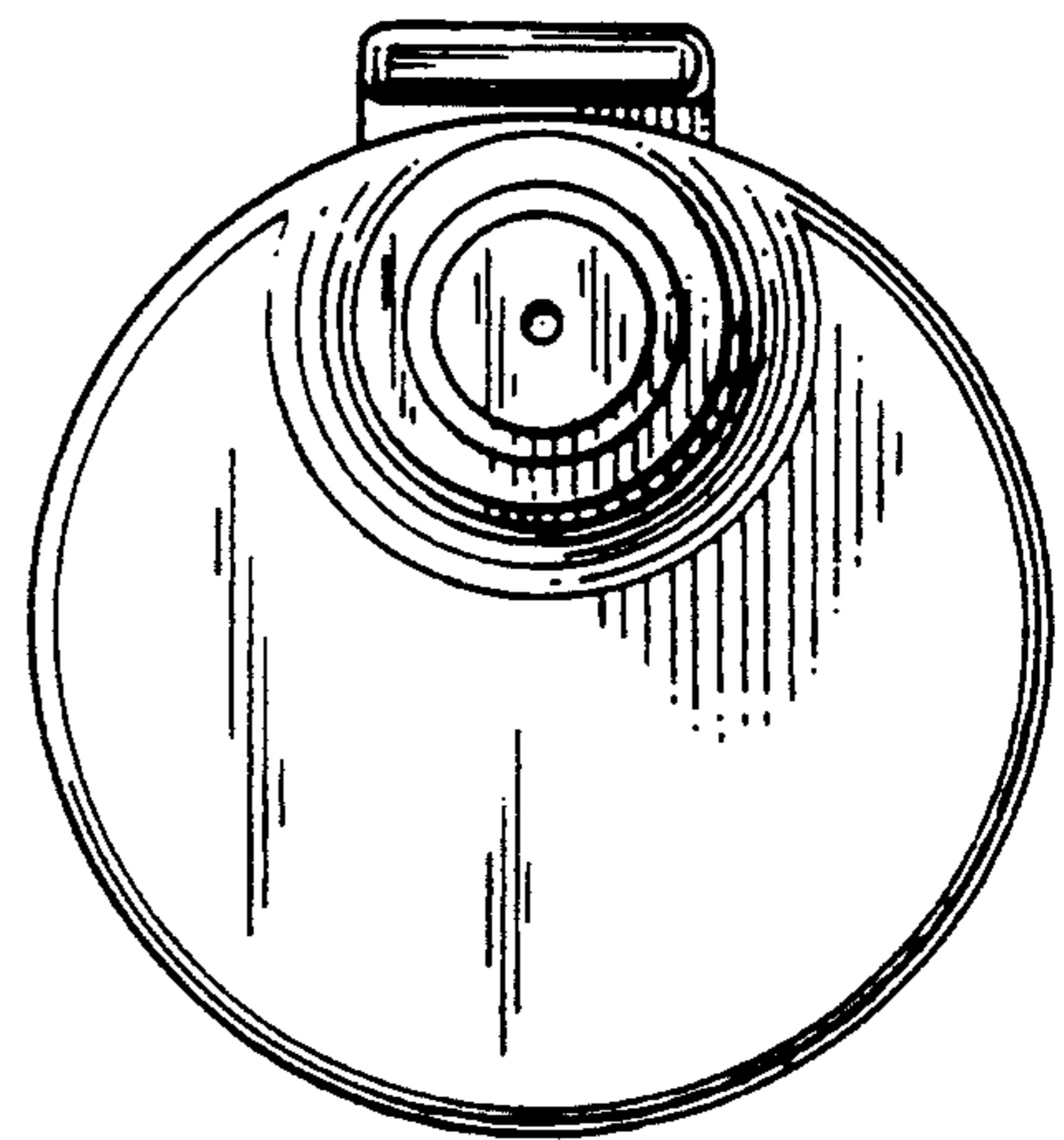


FIG. 6