



US00D341067S

United States Patent [19]

[11] Patent Number: **Des. 341,067**

Clark et al.

[45] Date of Patent: **** Nov. 9, 1993**

[54] **DEVICE FOR PICKING UP PINE CONES**

4,827,956	5/1989	Toot	294/19.1
4,949,961	8/1990	Milano	294/19.1 X
4,993,766	2/1991	Sutherland	294/19.1

[76] Inventors: **Joyce Clark; William Clark**, both of P.O. Box 2204, Thomasville, Ga. 31799

FOREIGN PATENT DOCUMENTS

[**] Term: **14 Years**

816883	10/1951	Fed. Rep. of Germany	294/22
2183432	6/1987	United Kingdom	294/50.9

[21] Appl. No.: **778,622**

Primary Examiner—Wallace R. Burke
Assistant Examiner—H. Baynham
Attorney, Agent, or Firm—Terry M. Gernstein

[22] Filed: **Oct. 18, 1991**

[52] U.S. Cl. **D8/4**

[58] Field of Search D8/4; 294/50.9, 19.1, 294/22; 119/154; D12/179

[57] CLAIM

The ornamental design for a device for picking up pine cones, as shown and described.

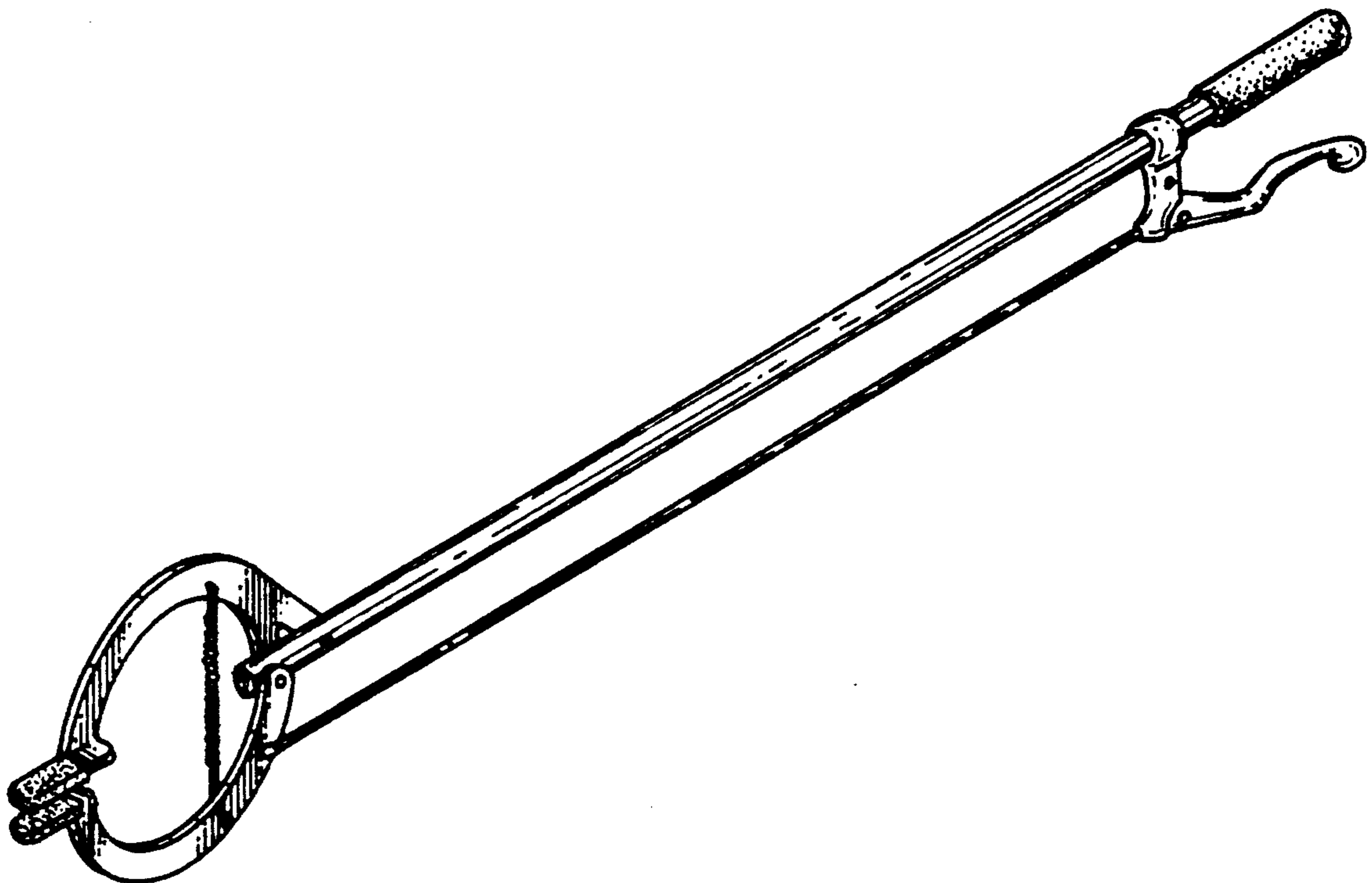
[56] References Cited

U.S. PATENT DOCUMENTS

D. 215,806	11/1969	Clark	D8/4
D. 298,309	11/1988	Cove	D12/179
D. 318,991	8/1991	Beavers	D8/4
D. 327,245	6/1992	Culley	D12/179
919,731	4/1909	May	294/22
2,660,467	11/1953	Lenth	294/50.9
2,869,914	1/1959	Yoakley, Jr.	294/22
3,918,757	11/1975	Huber	294/50.9
4,441,746	4/1984	Corboy, Jr.	294/19.1 X
4,758,035	7/1988	Shimasaki	294/19.1

DESCRIPTION

FIG. 1 is a perspective view of the device for picking up pine cones embodying the design of the present invention;
FIG. 2 is a front elevational view thereof;
FIG. 3 is a rear elevational view thereof;
FIG. 4 is a side elevational view thereof;
FIG. 5 is a opposite side elevational view thereof;
FIG. 6 is a top plan view thereof; and,
FIG. 7 is a bottom view thereof.



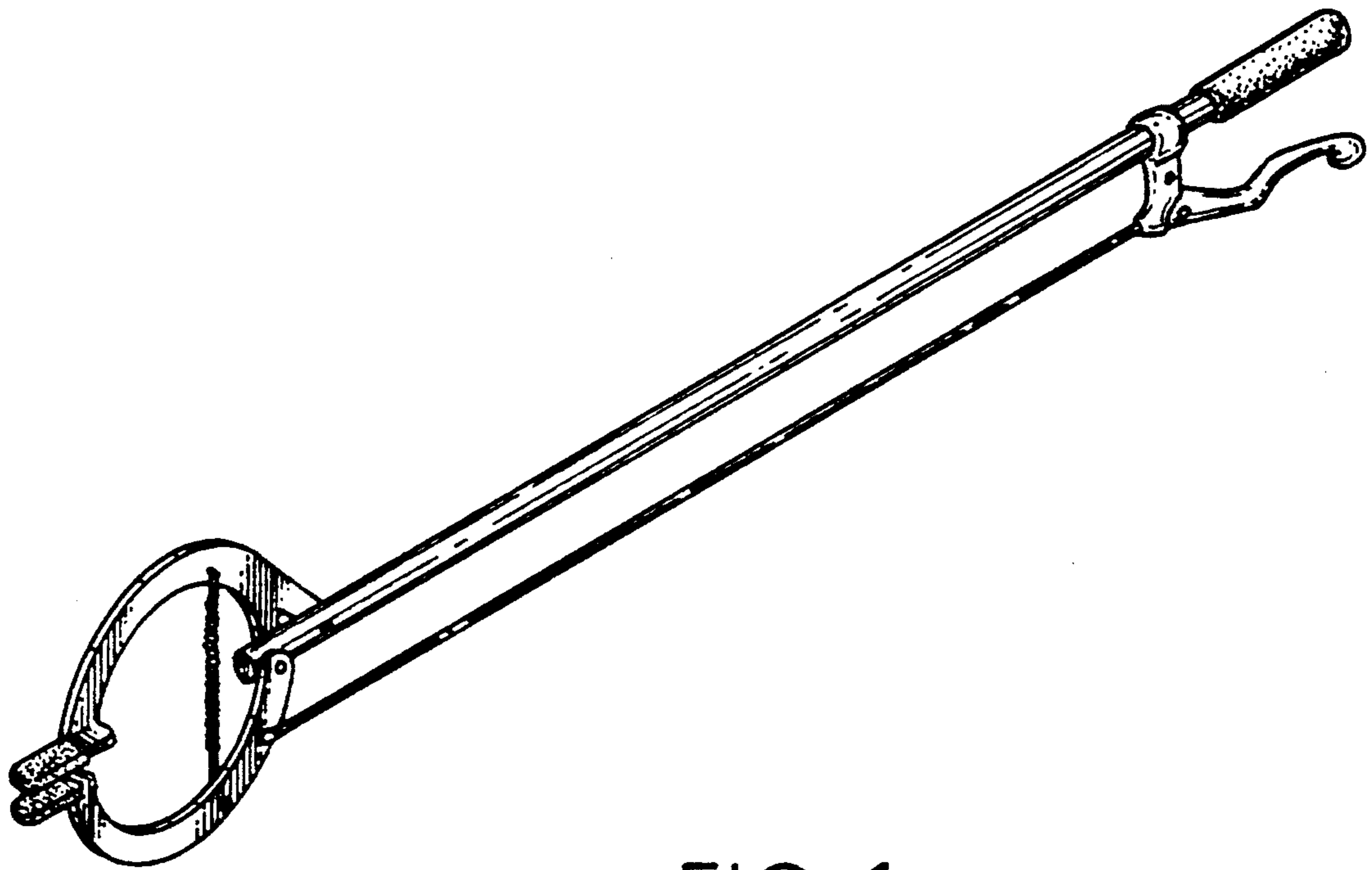


FIG. 1



FIG. 2



FIG. 3

FIG. 4

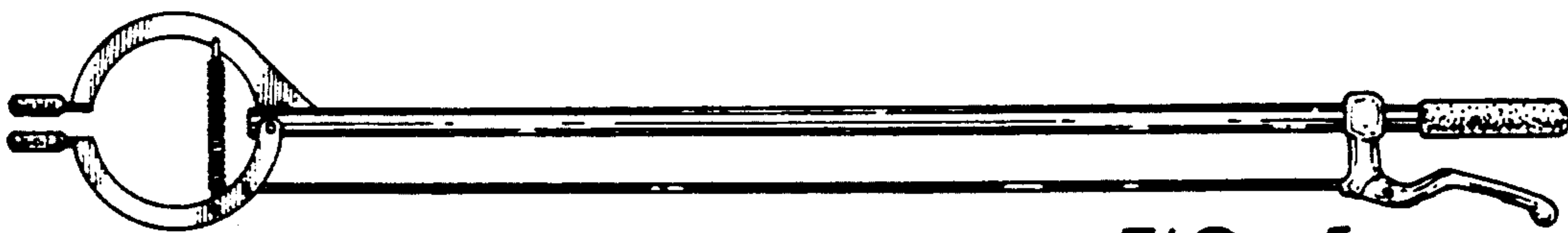
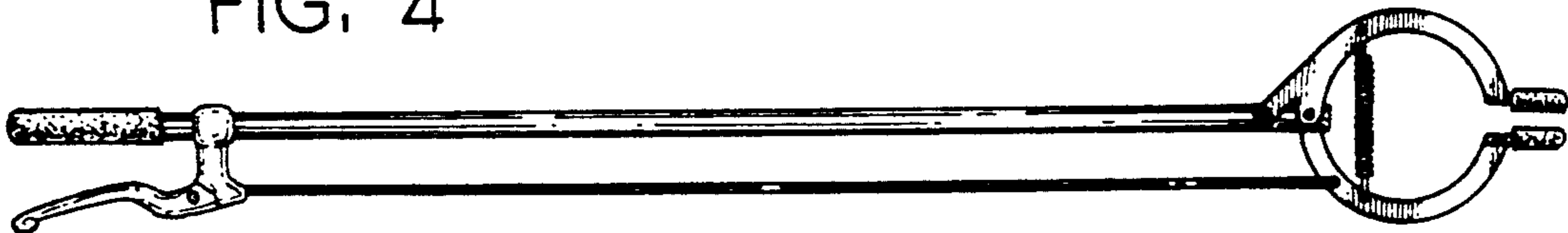


FIG. 5

FIG. 6



FIG. 7