



US00D341065S

United States Patent [19]

Martner

[11] Patent Number: Des. 341,065

[45] Date of Patent: ** Nov. 9, 1993

[54] LIFTING TOOL FOR A BARBEQUE GRILL

1,254,551 1/1918 Tucker D7/690 X

[76] Inventor: John D. Martner, 125 Somonauk Rd., Somonauk, Ill. 60552

Primary Examiner—Terry A. Pfeffer Wallace
Attorney, Agent, or Firm—Mathew R. P. Perrone, Jr.

[**] Term: 14 Years

[57] CLAIM

[21] Appl. No.: 836,443

The ornamental design for a lifting tool for a barbeque grill, as shown and described.

[22] Filed: Feb. 18, 1992

[52] U.S. Cl. D7/690

[58] Field of Search D7/688-690,
D7/669, 395; D8/40; 294/6, 12, 27.1, 28

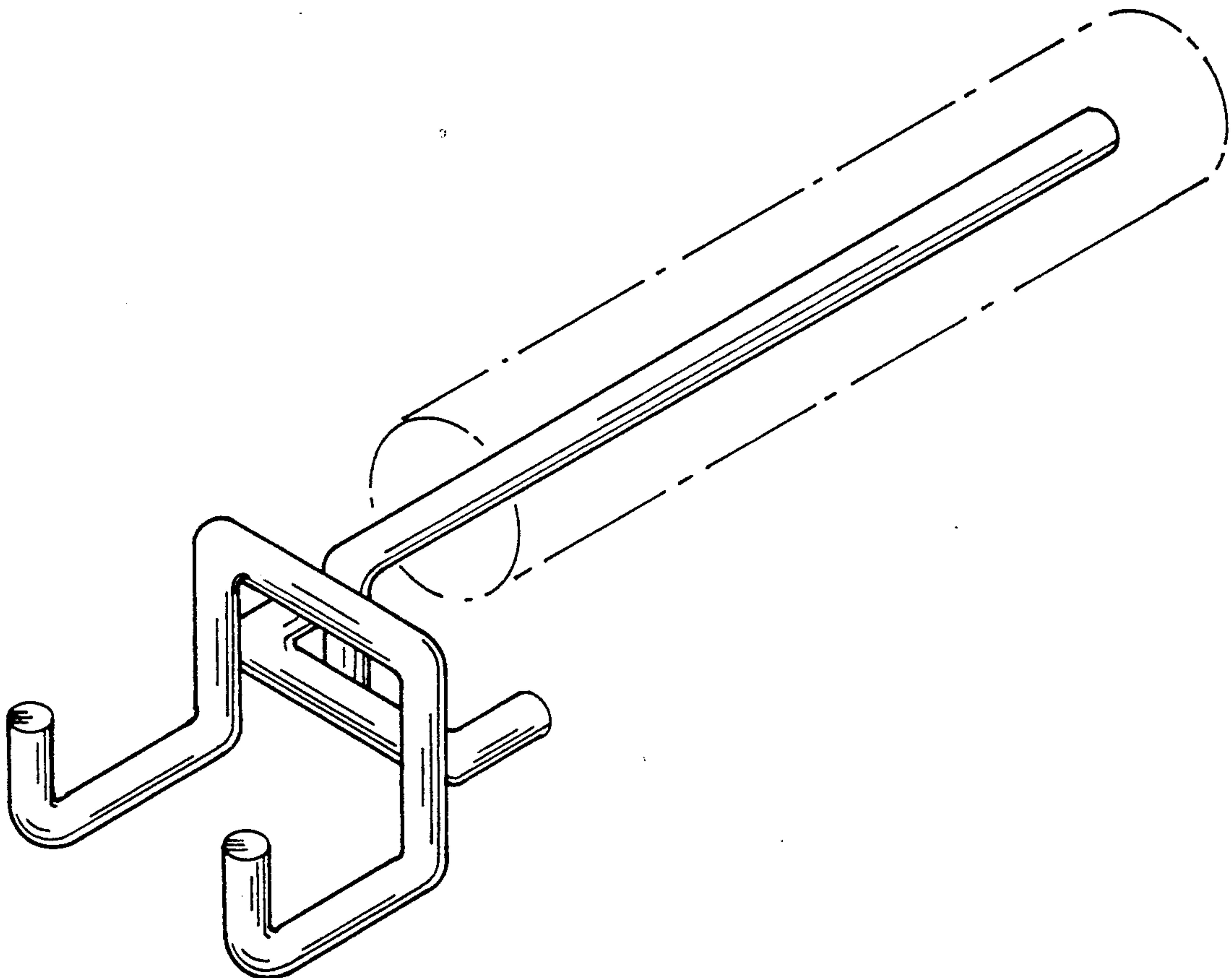
DESCRIPTION

[56] References Cited

U.S. PATENT DOCUMENTS

- D. 122,910 10/1940 Tichenor D7/690
- 680,263 8/1901 Maddux 294/27.1
- 1,083,808 1/1914 Dunson 294/27.1

FIG. 1 is a perspective view of the lifting tool for a barbeque grill showing my new design;
FIG. 2 is a top plan view thereof;
FIG. 3 is a side elevational view thereof;
FIG. 4 is a bottom plan view thereof; and,
FIG. 5 is a front elevational view thereof.
The handle is shown in broken lines for illustrative purposes only.



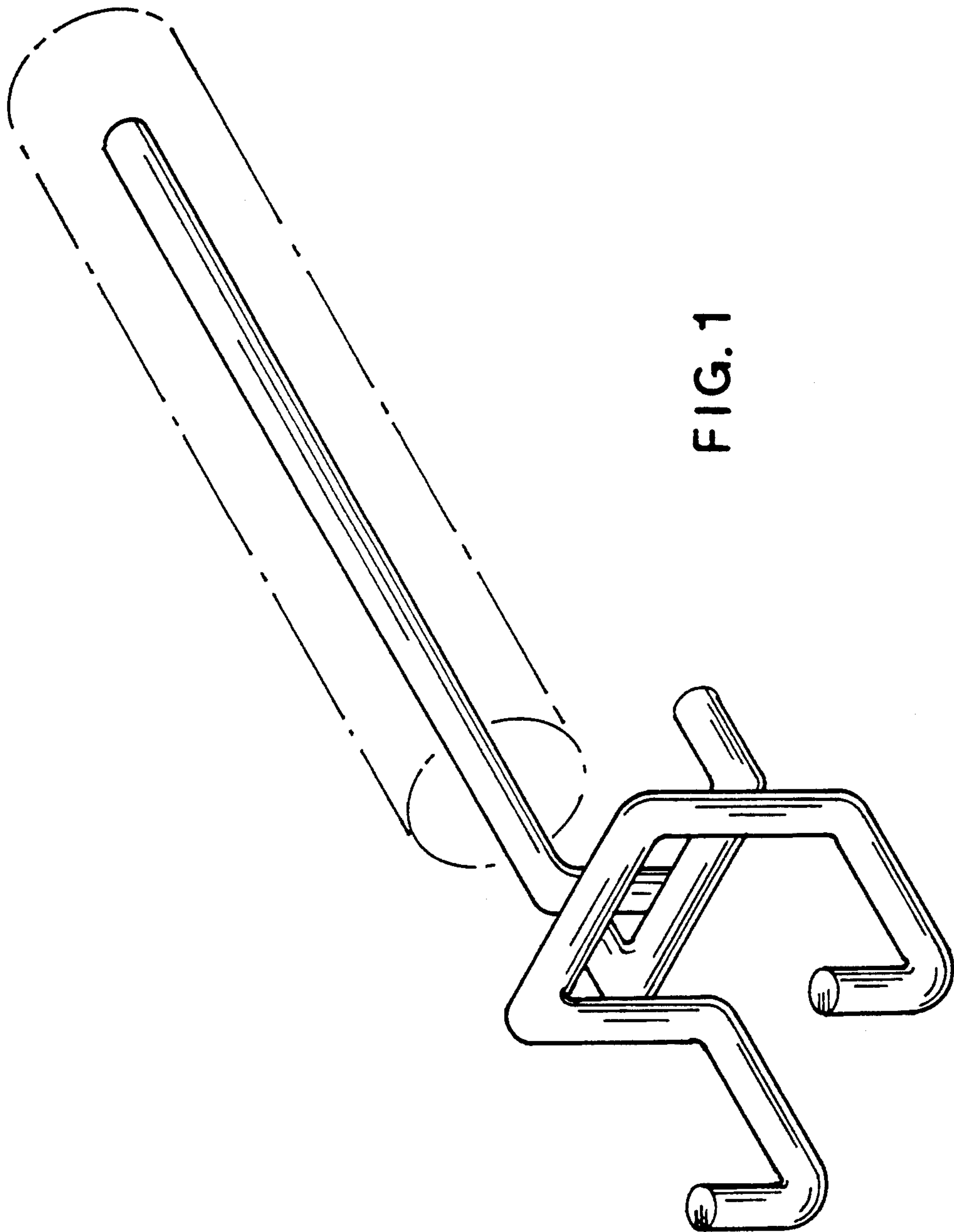


FIG. 1

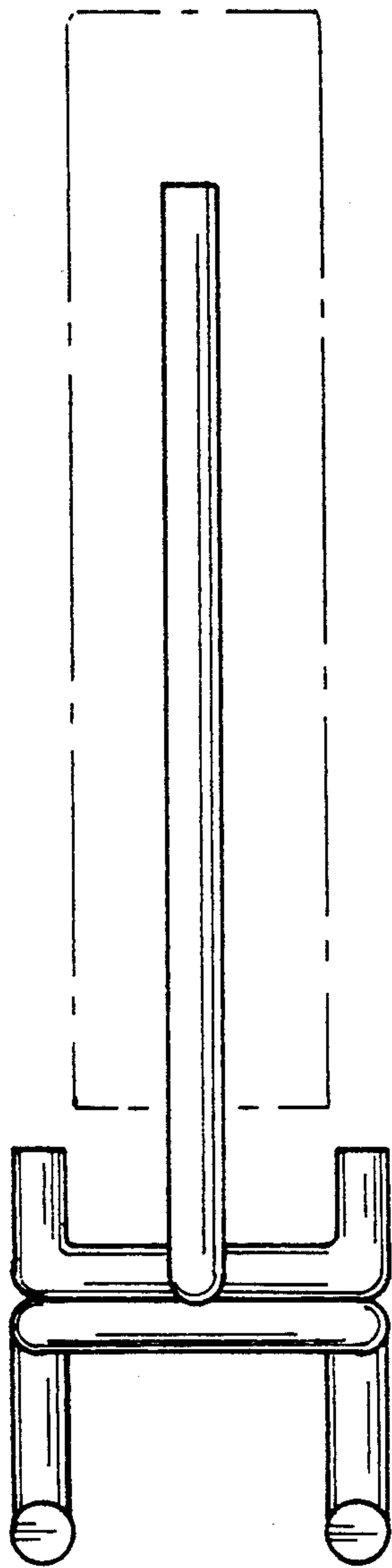


FIG. 2

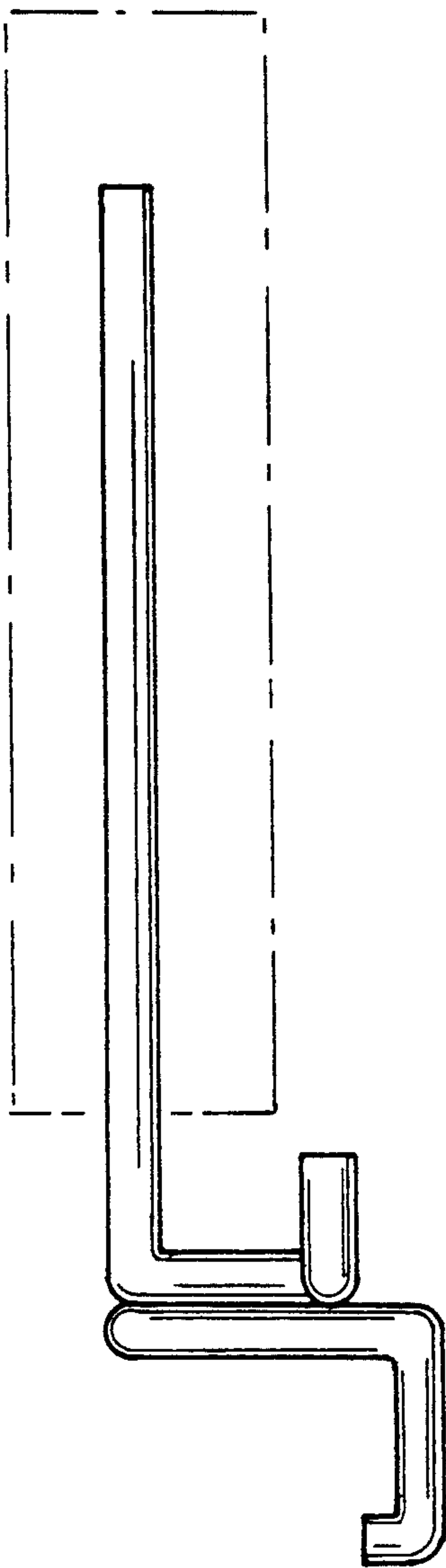


FIG. 3

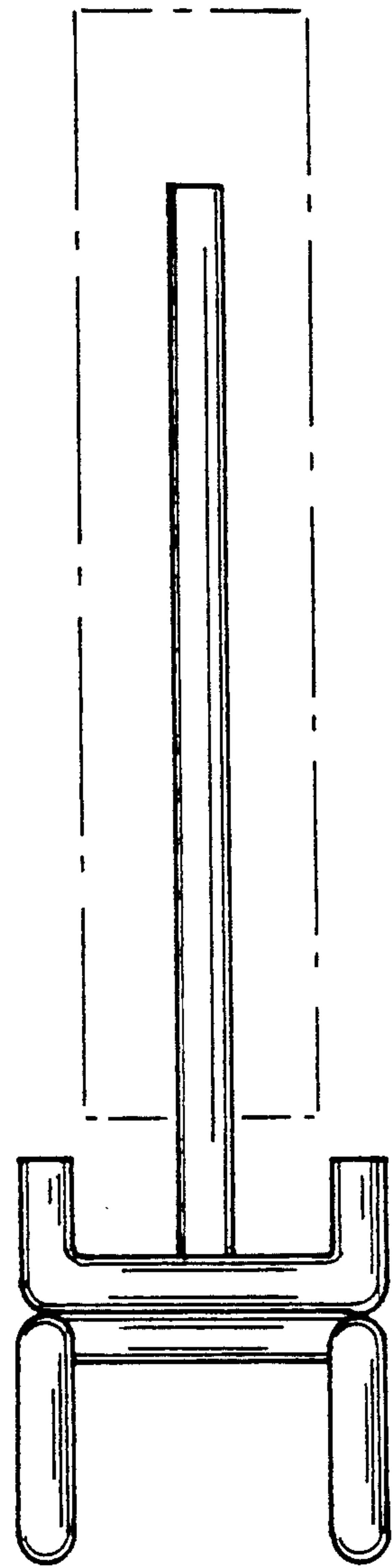


FIG. 4

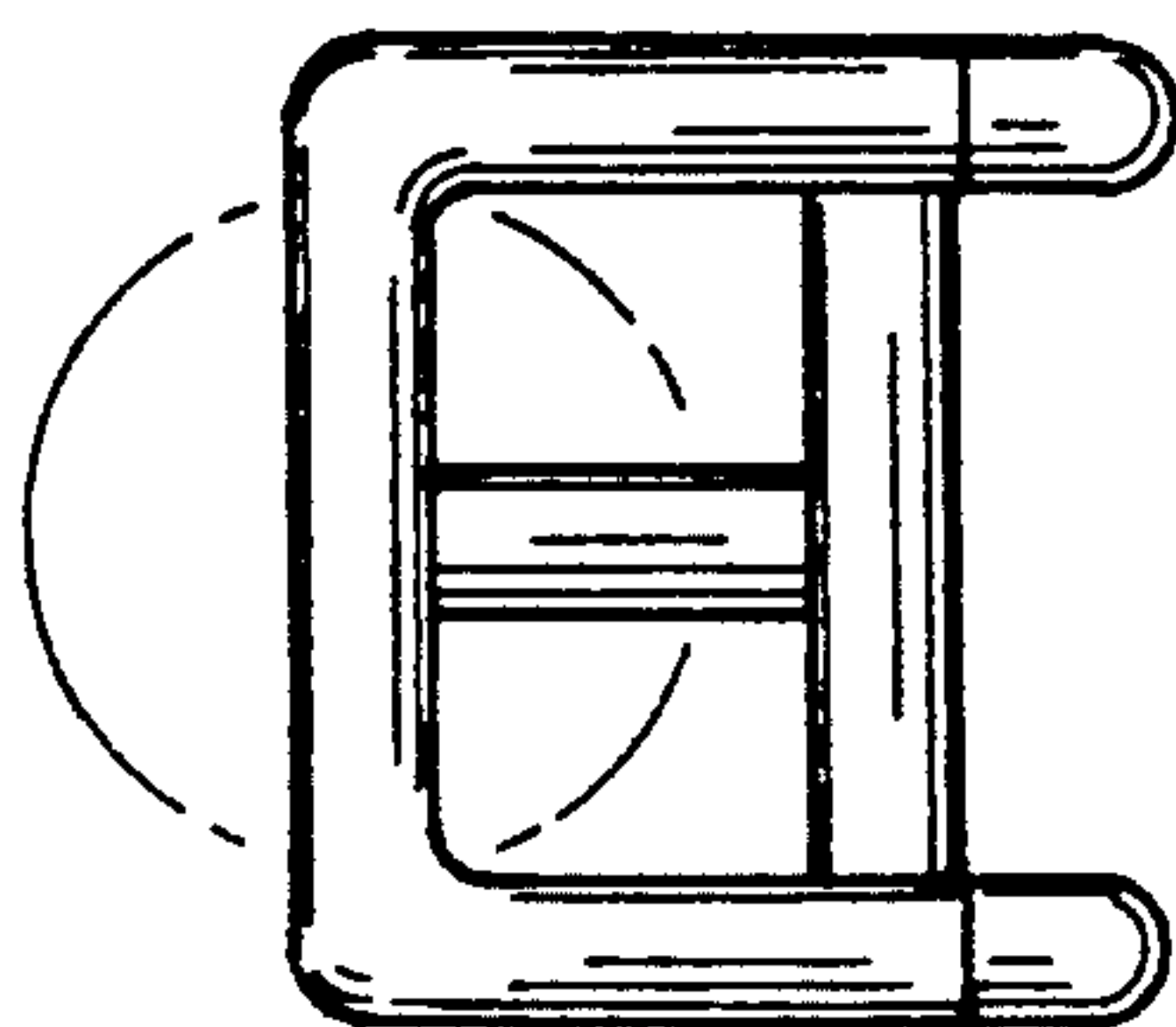


FIG. 5