



US00D341064S

United States Patent [19]

[11] Patent Number: **Des. 341,064**

Husted

[45] Date of Patent: **** Nov. 9, 1993**

[54] **SPICE GRINDER**

[56] **References Cited**

[75] Inventor: **Wayne D. Husted, San Francisco, Calif.**

U.S. PATENT DOCUMENTS

- D. 258,257 2/1981 Bounds D7/679
- D. 259,090 5/1981 Cowan D7/679 X
- D. 309,240 7/1990 Griffin D7/679

[73] Assignee: **Dudley Kebow, Inc., Ocean Side, Calif.**

Primary Examiner—Terry A. Pfeffer Wallace
Attorney, Agent, or Firm—Kinney & Lange

[**] Term: **14 Years**

[57] **CLAIM**

The ornamental design for a spice grinder, as shown and described.

[21] Appl. No.: **835,260**

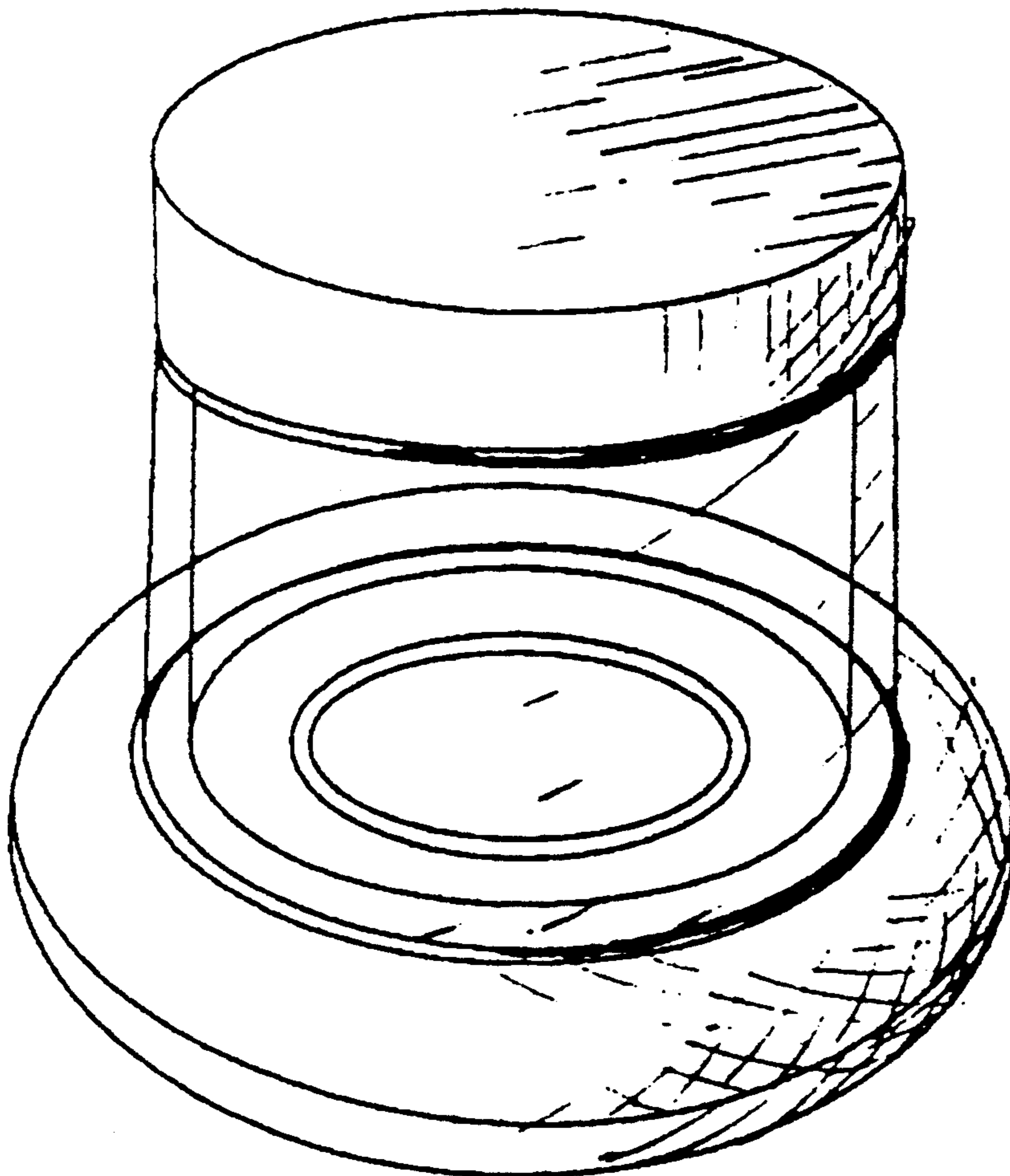
DESCRIPTION

[22] Filed: **Feb. 12, 1992**

[52] U.S. Cl. **D7/679**

[58] Field of Search **D7/372-373,**
D7/590-597, 679; 222/142.1-142.9; 241/168,
169.1

FIG. 1 is a bottom view of a spice grinder showing my new design;
FIG. 2 is a side elevational view thereof;
FIG. 3 is a top elevational view thereof; and,
FIG. 4 is a perspective view thereof.



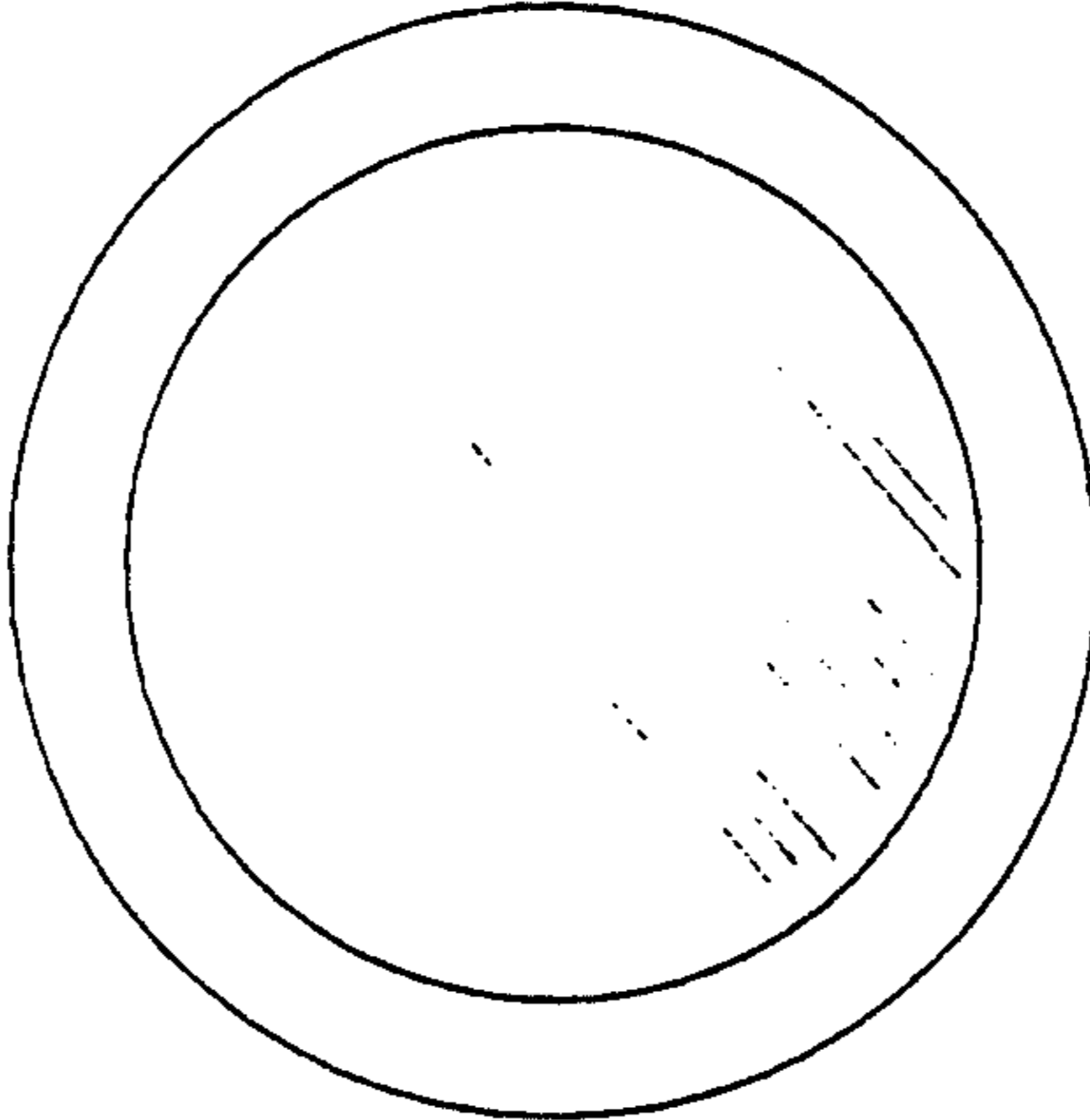


FIG 3

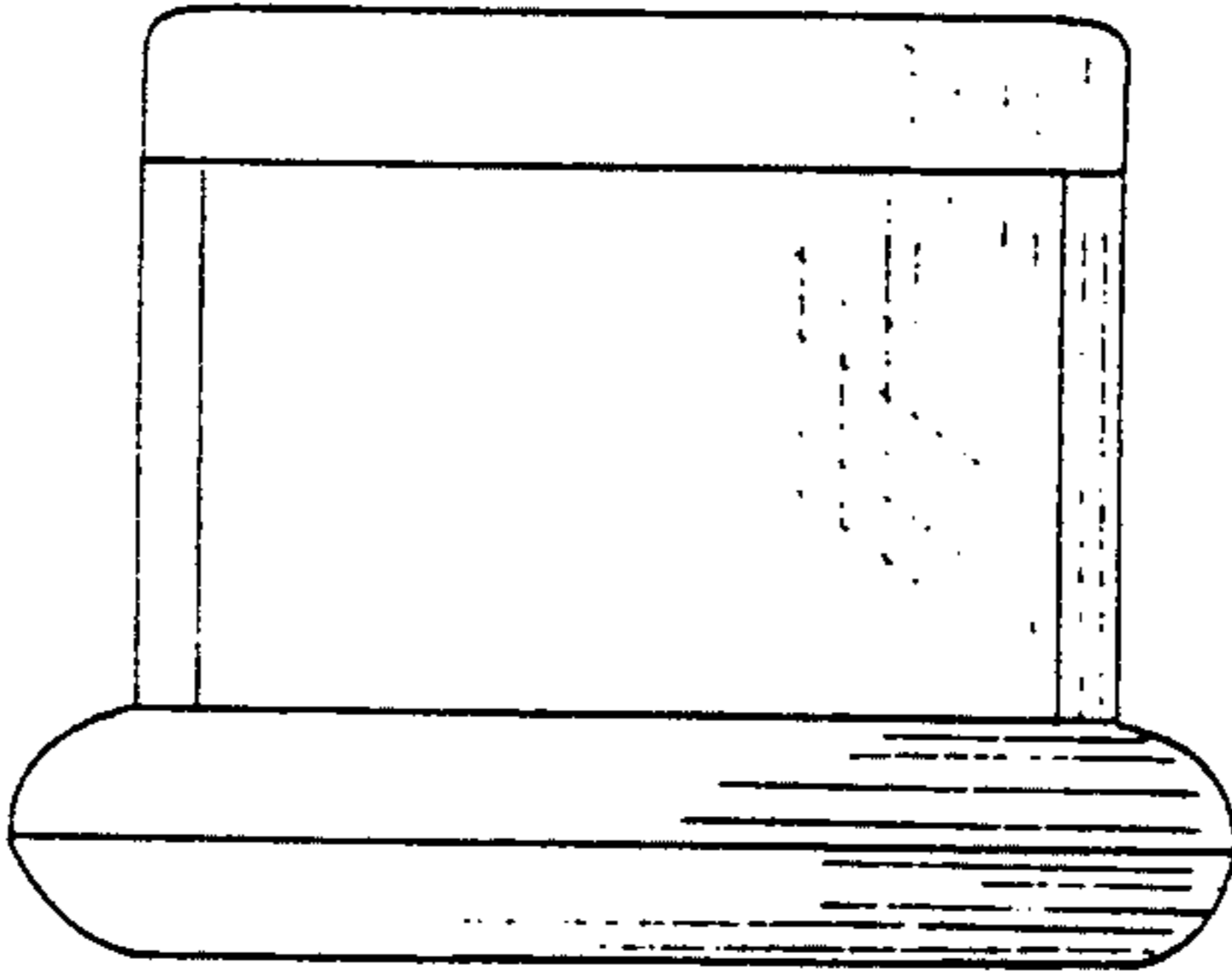


FIG 2

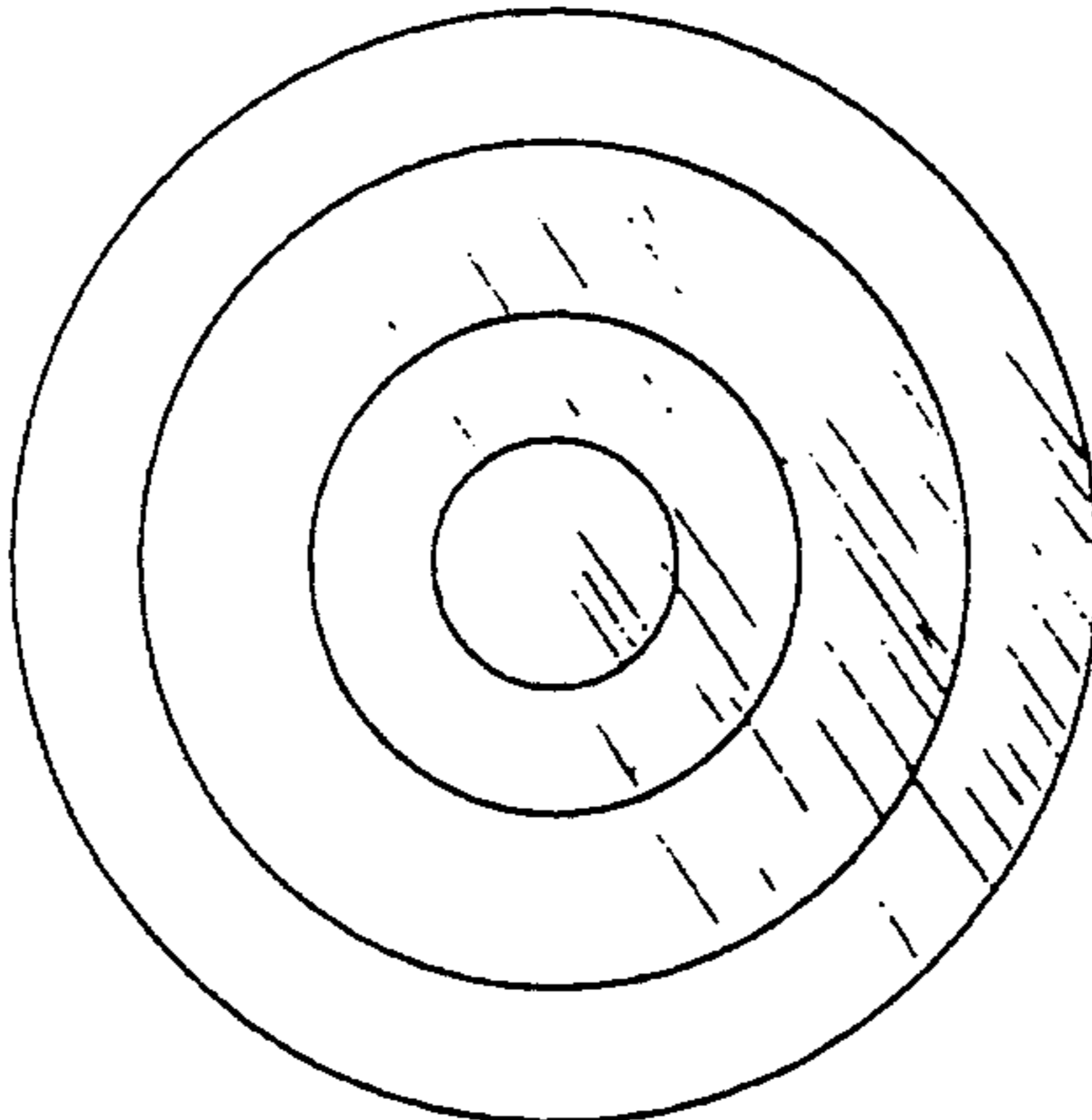


FIG 1

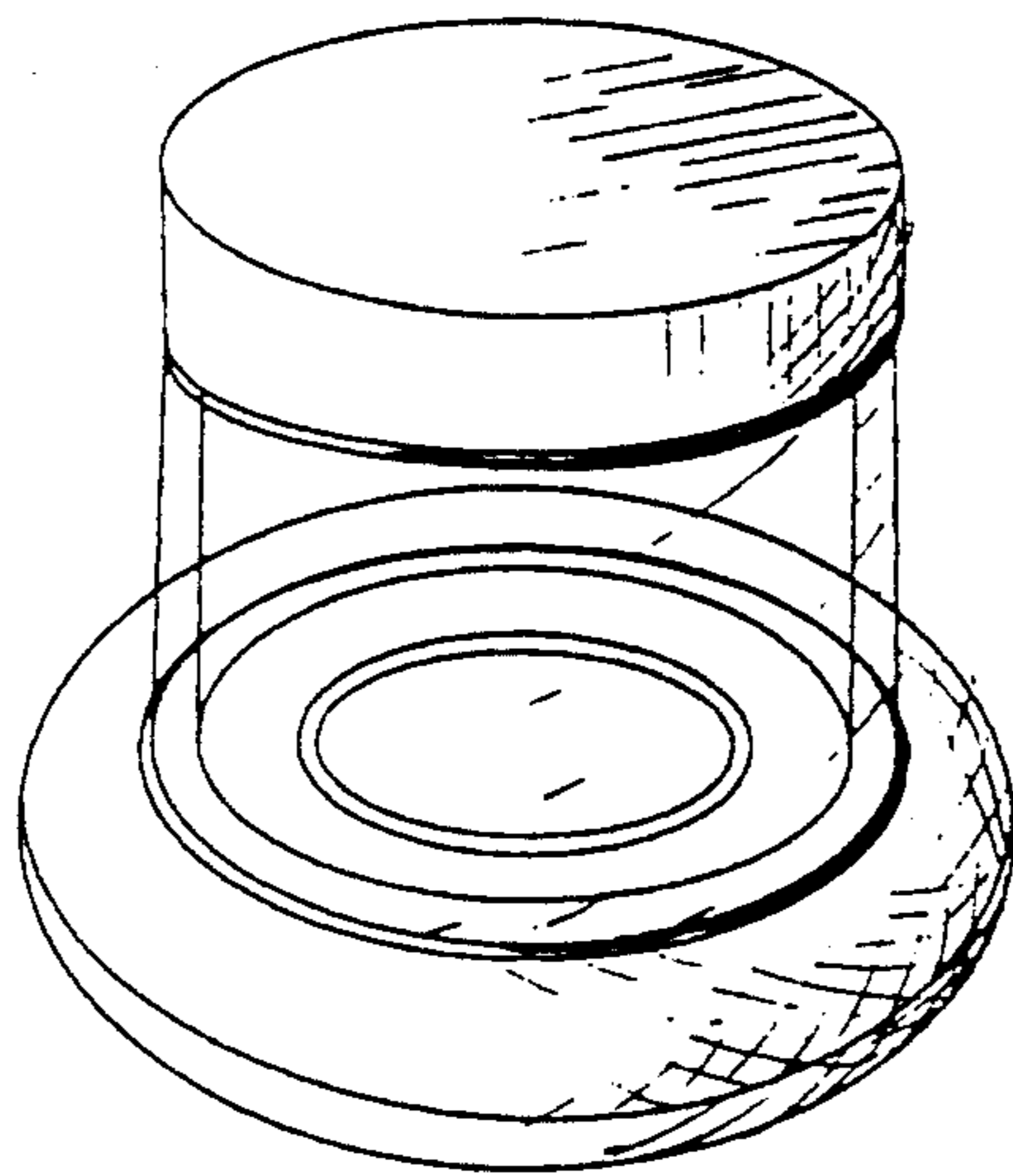


FIG 4