



US00D341063S

United States Patent [19] Husted

[11] Patent Number: **Des. 341,063**

[45] Date of Patent: **** Nov. 9, 1993**

[54] **SPICE GRINDER**

[75] Inventor: **Wayne D. Husted, San Francisco, Calif.**

[73] Assignee: **Dudley Kebow, Inc., Ocean Side, Calif.**

[**] Term: **14 Years**

[21] Appl. No.: **834,638**

[22] Filed: **Feb. 12, 1992**

[52] U.S. Cl. **D7/679**

[58] Field of Search **D7/372-373, D7/590-597, 679; 222/142.1-142.9; 241/168, 169.1**

[56] **References Cited**

U.S. PATENT DOCUMENTS

| | | | |
|------------|--------|---------------|----------|
| D. 258,257 | 2/1981 | Bounds | D7/679 |
| D. 259,090 | 5/1981 | Cowan | D7/679 X |
| D. 309,240 | 7/1990 | Griffin | D7/679 |

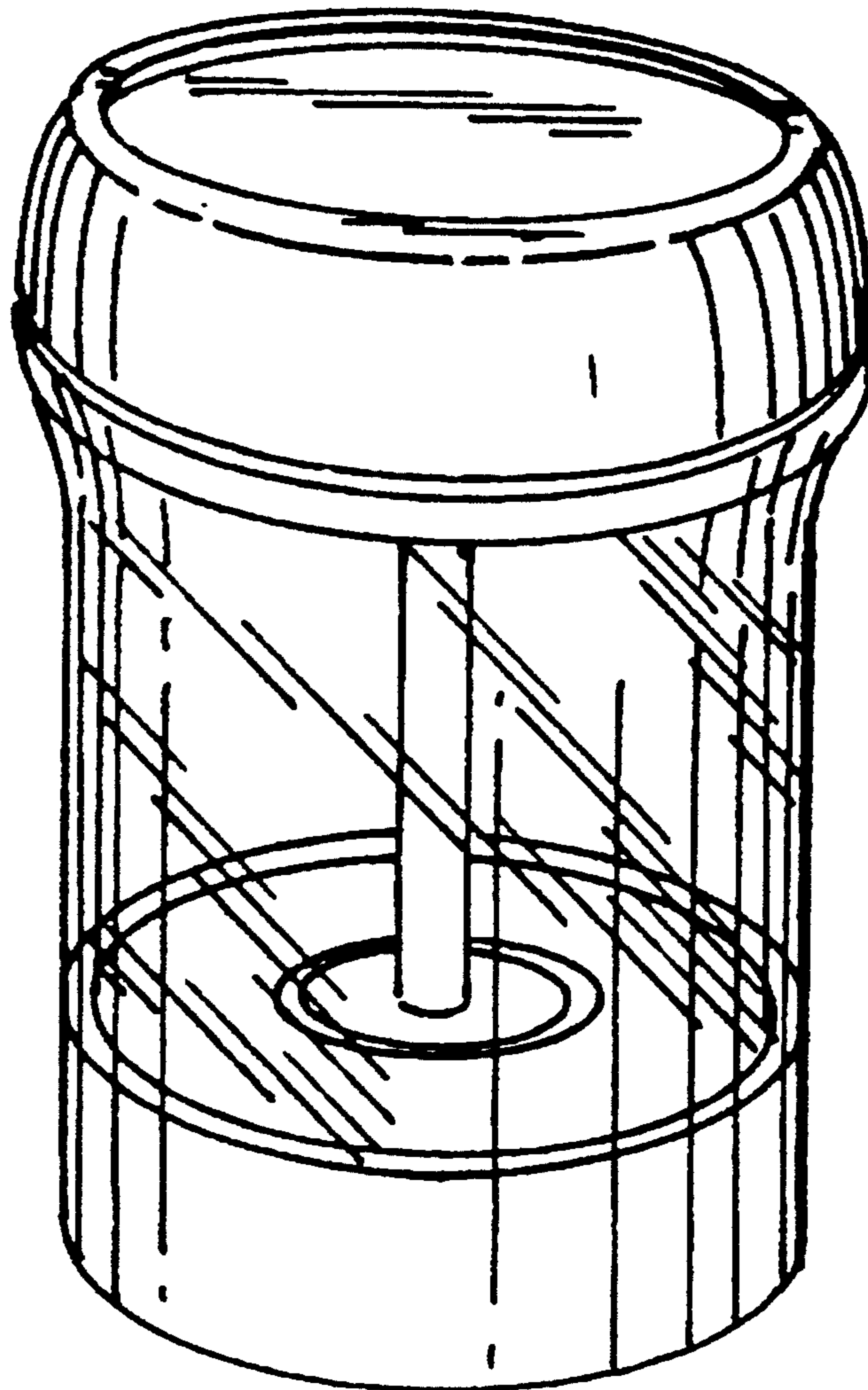
Primary Examiner—Terry A. Pfeffer Wallace
Attorney, Agent, or Firm—Kinney & Lange

[57] **CLAIM**

The ornamental design for a spice grinder, as shown and described.

DESCRIPTION

FIG. 1 is a bottom view of a spice grinder showing my new design;
FIG. 2 is a side elevational view thereof;
FIG. 3 is a top elevational view thereof; and,
FIG. 4 is a perspective view thereof.



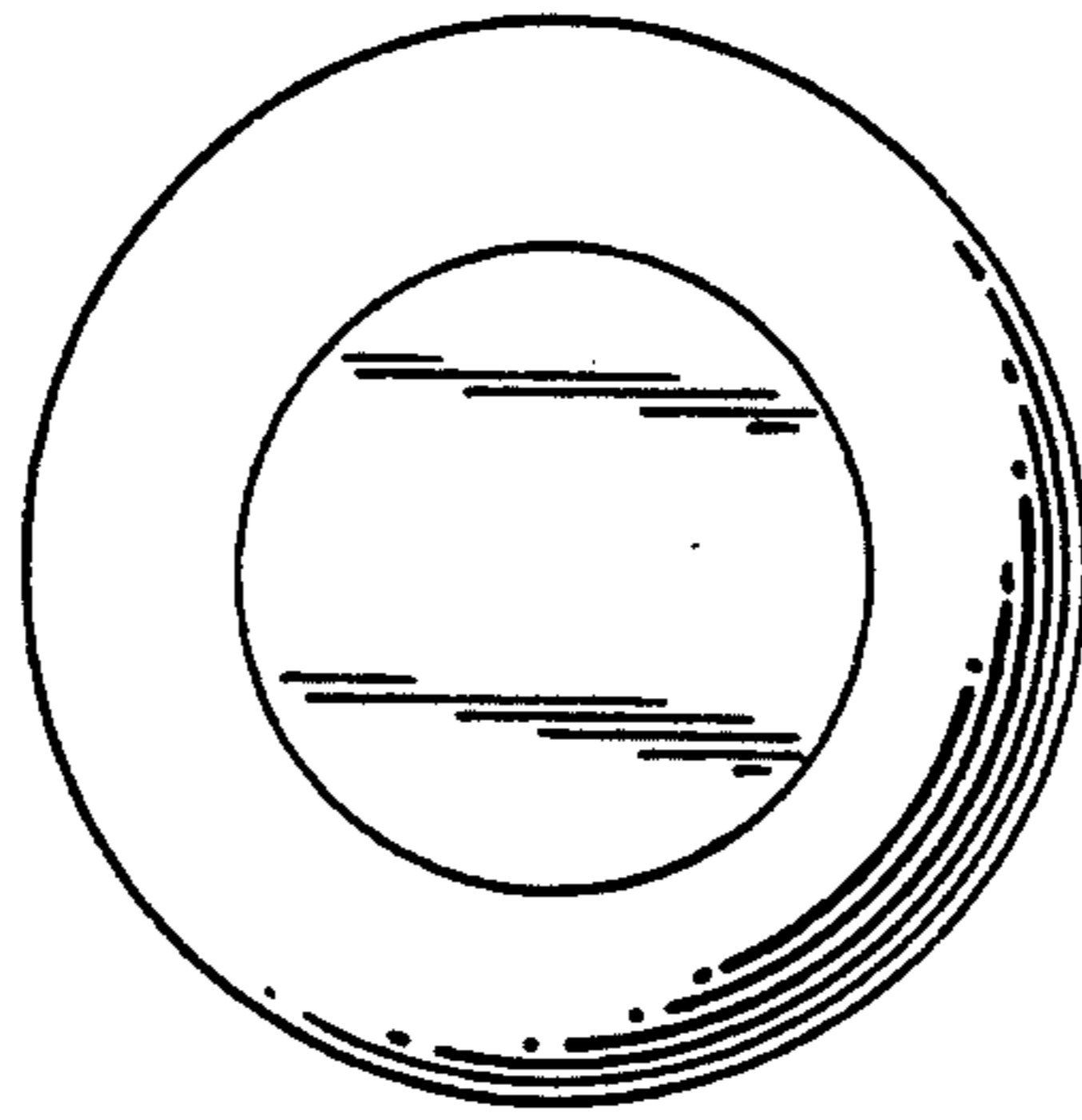


Fig. 3

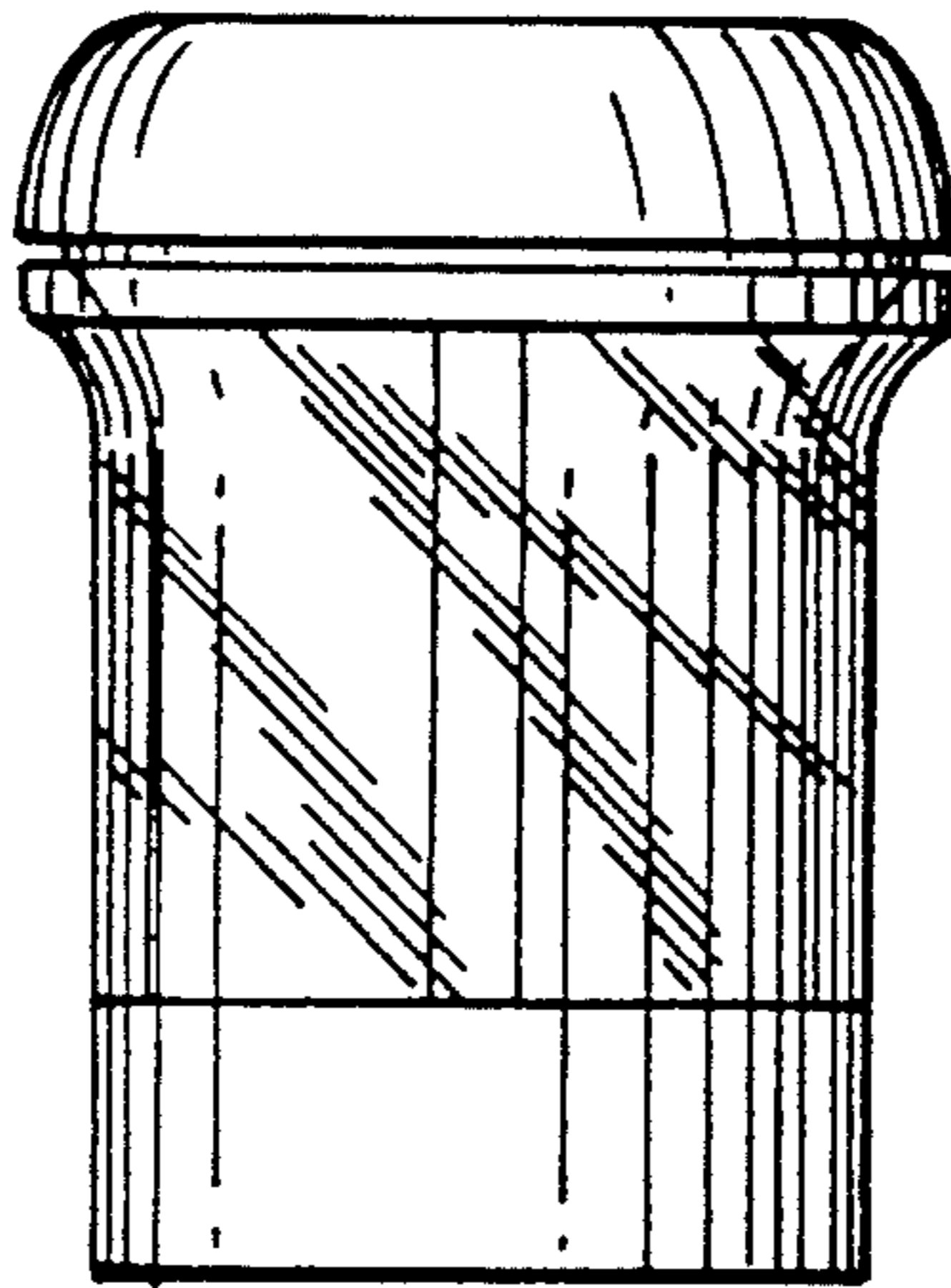


Fig. 2

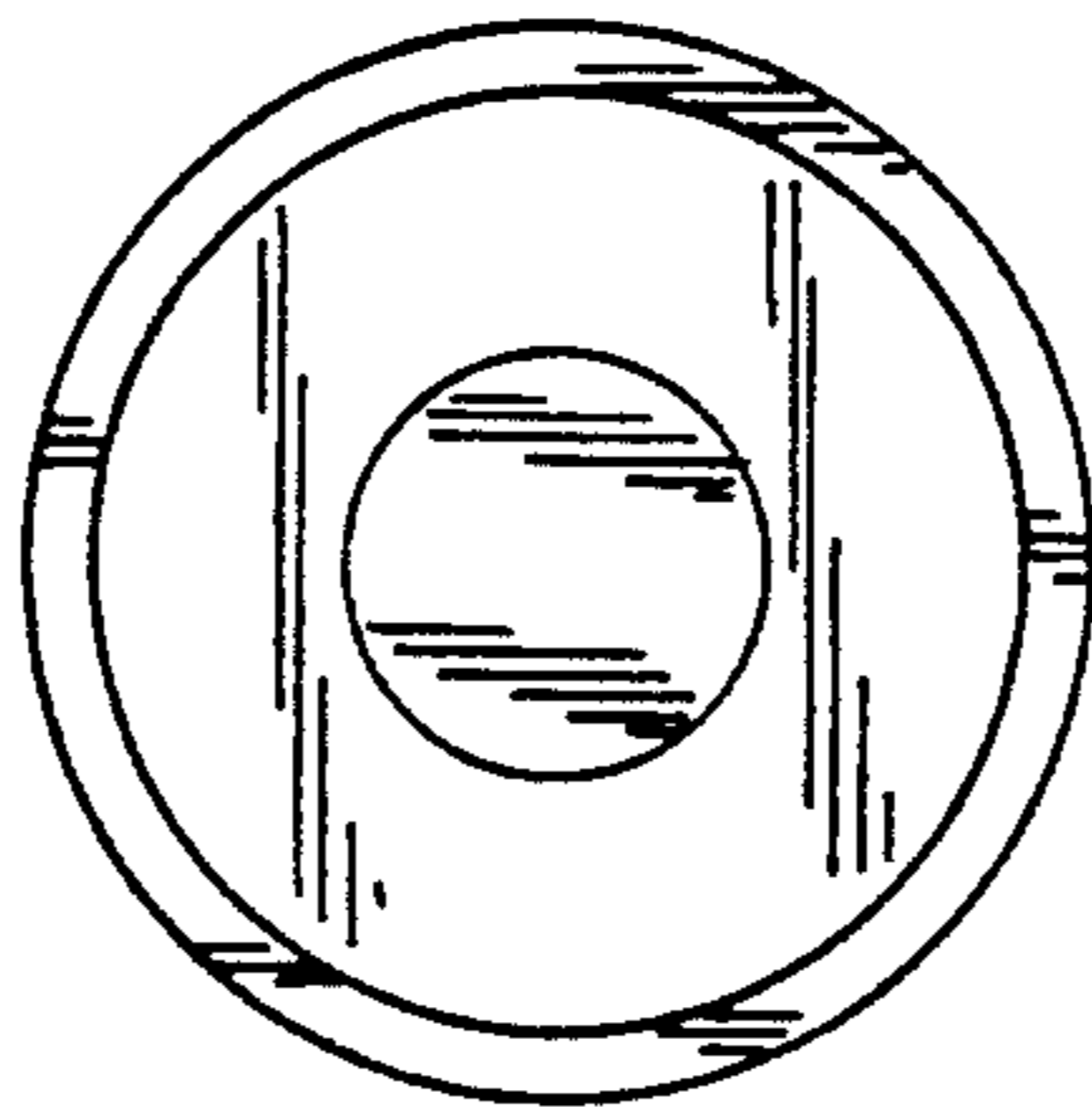


Fig. 1

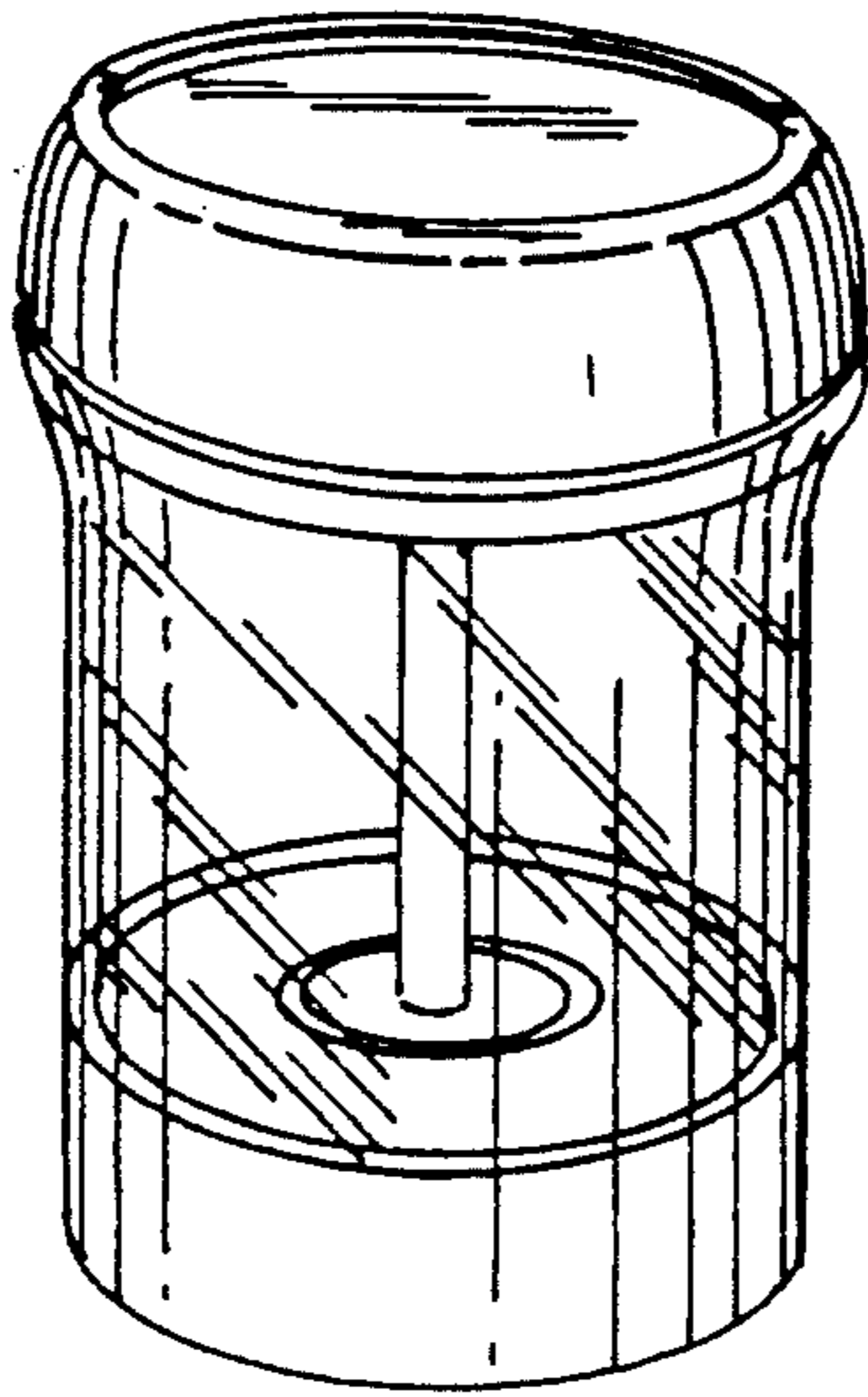


Fig. 4