



US00D341062S

# United States Patent [19]

[11] Patent Number: **Des. 341,062**

Husted et al.

[45] Date of Patent: **\*\* Nov. 9, 1993**

[54] SPICE GRINDER

[56] References Cited

[75] Inventors: **Wayne D. Husted, San Francisco;**  
**Marcus W. Kibbe, San Marcos, both**  
**of Calif.**

### U.S. PATENT DOCUMENTS

D. 258,257 2/1981 Bounds ..... D7/679  
D. 259,090 5/1981 Cowan ..... D7/679 X

[73] Assignee: **Dudley Kibow, Inc., Ocean Side,**  
**Calif.**

*Primary Examiner*—Terry A. Pfeffer Wallace  
*Attorney, Agent, or Firm*—Kinney & Lange

[\*\*] Term: **14 Years**

### [57] CLAIM

The ornamental design for a spice grinder, as shown and described.

[21] Appl. No.: **834,637**

### DESCRIPTION

[22] Filed: **Feb. 12, 1992**

FIG. 1 is a bottom view of a spice grinder showing our new design;

[52] U.S. Cl. .... **D7/679**

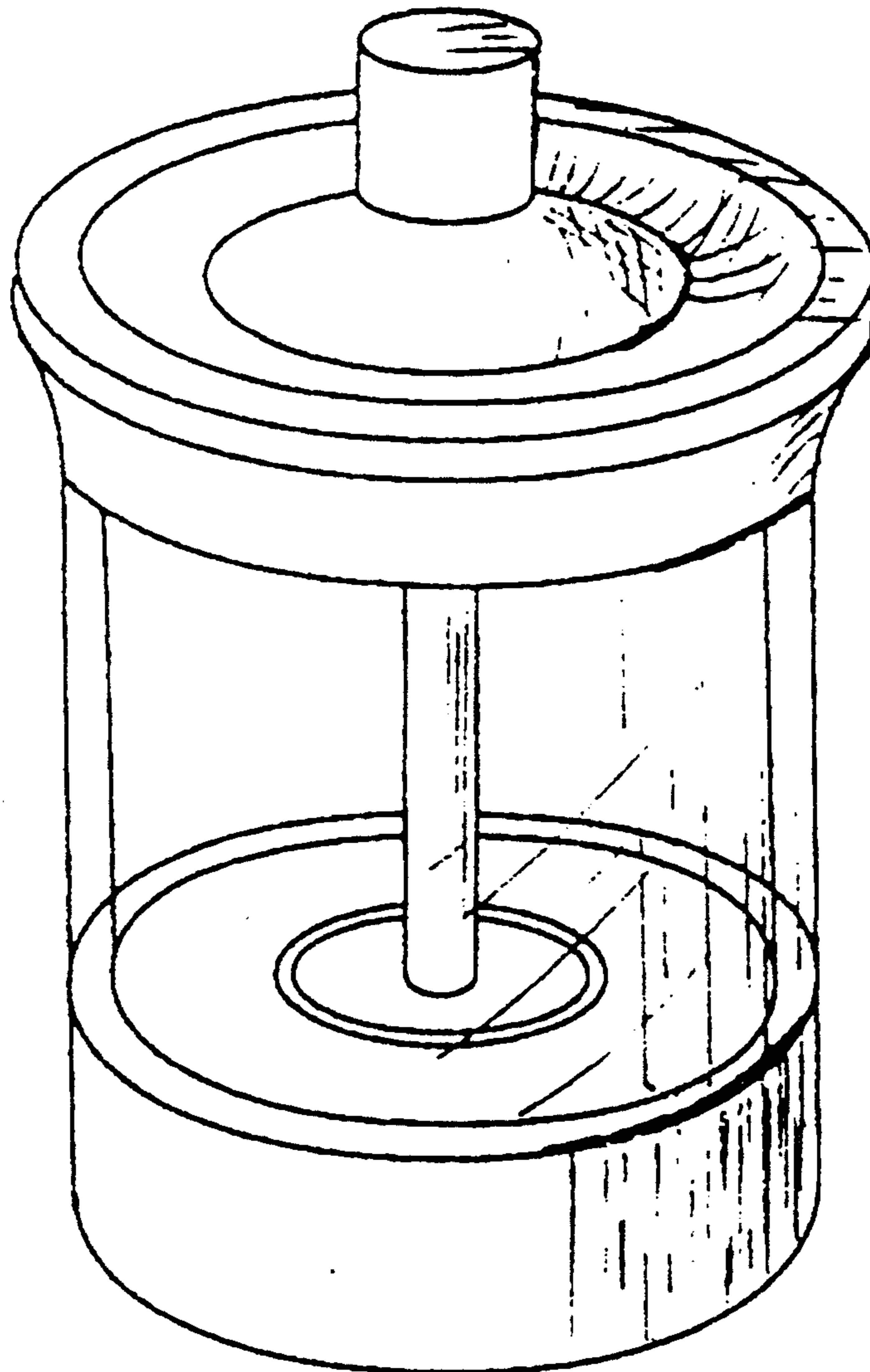
FIG. 2 is a side elevational view thereof;

[58] Field of Search ..... **D7/372-373,**

FIG. 3 is a top elevational view thereof; and,

**D7/590-597, 679; 222/142.1-142.9; 241/168,**  
**169.1**

FIG. 4 is a perspective view thereof.



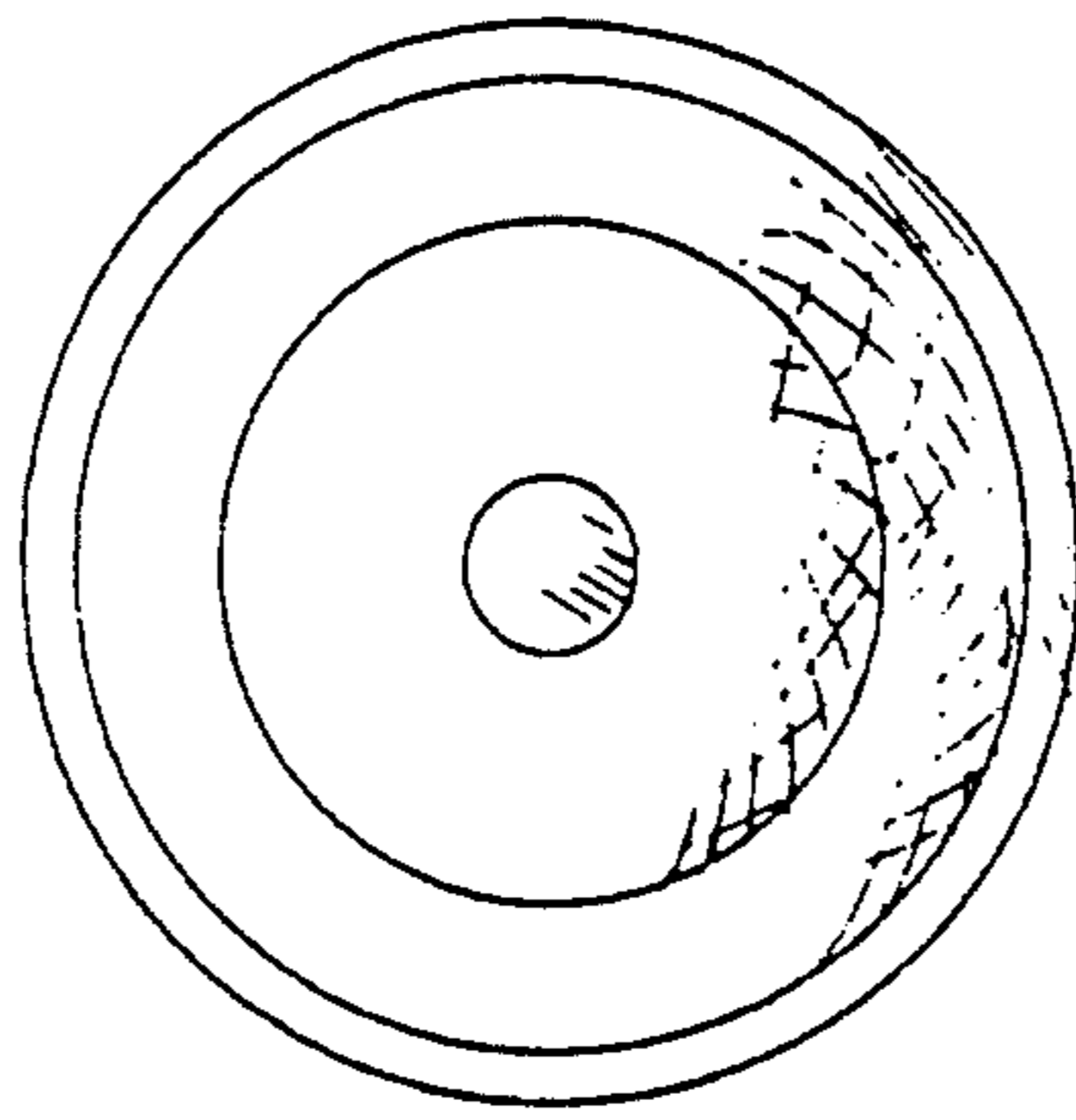


FIG 3

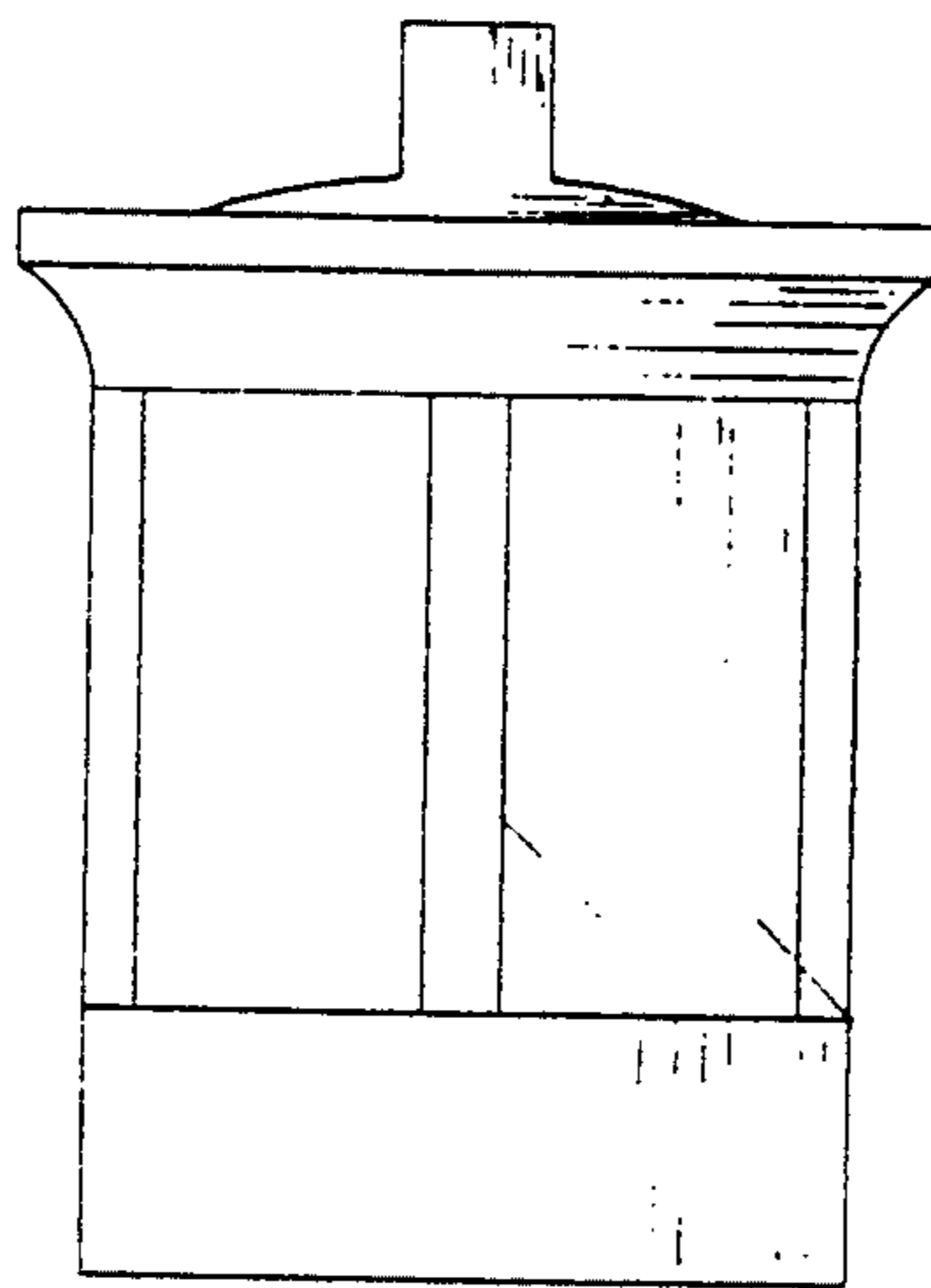


FIG 2

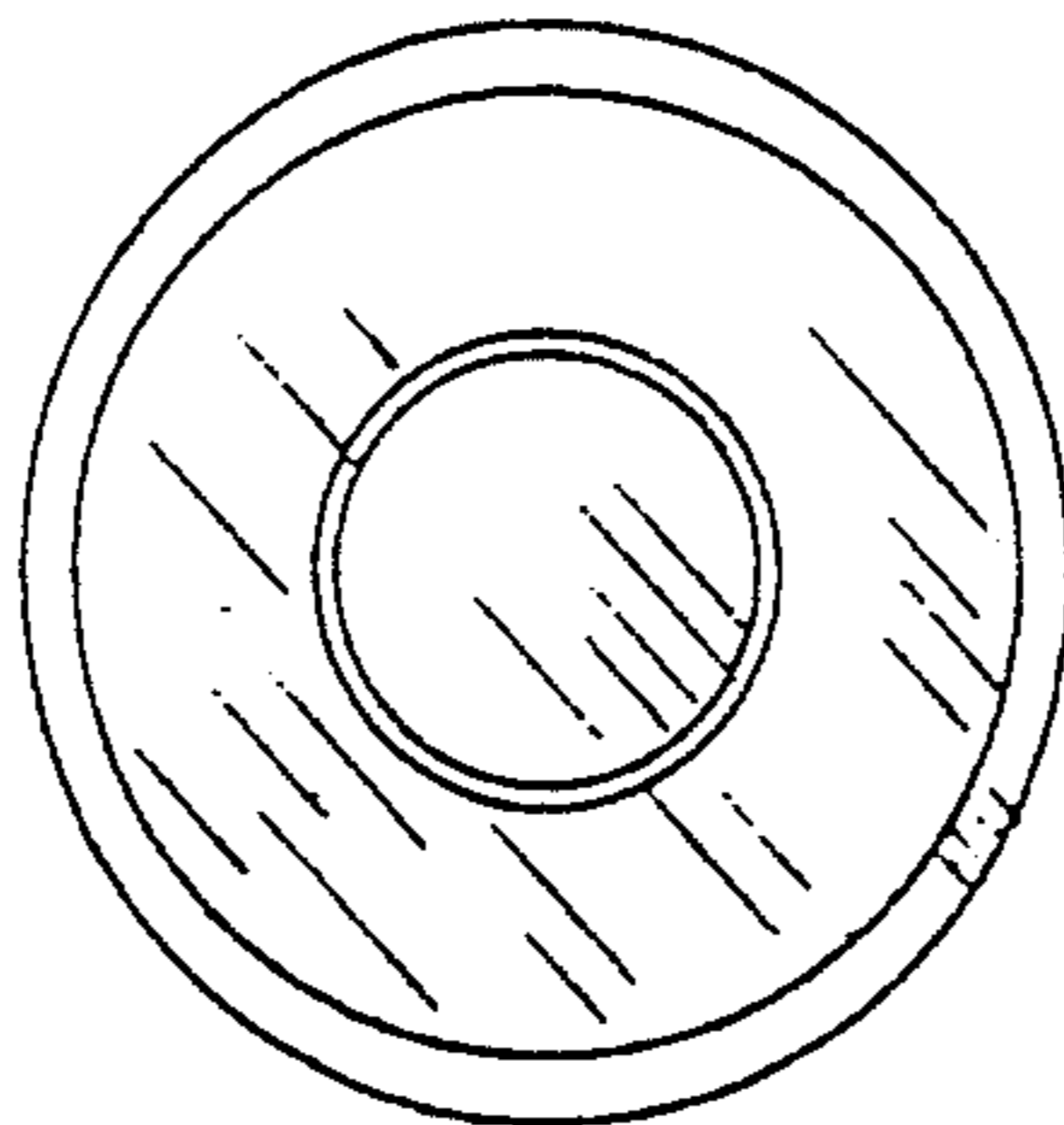


FIG 1

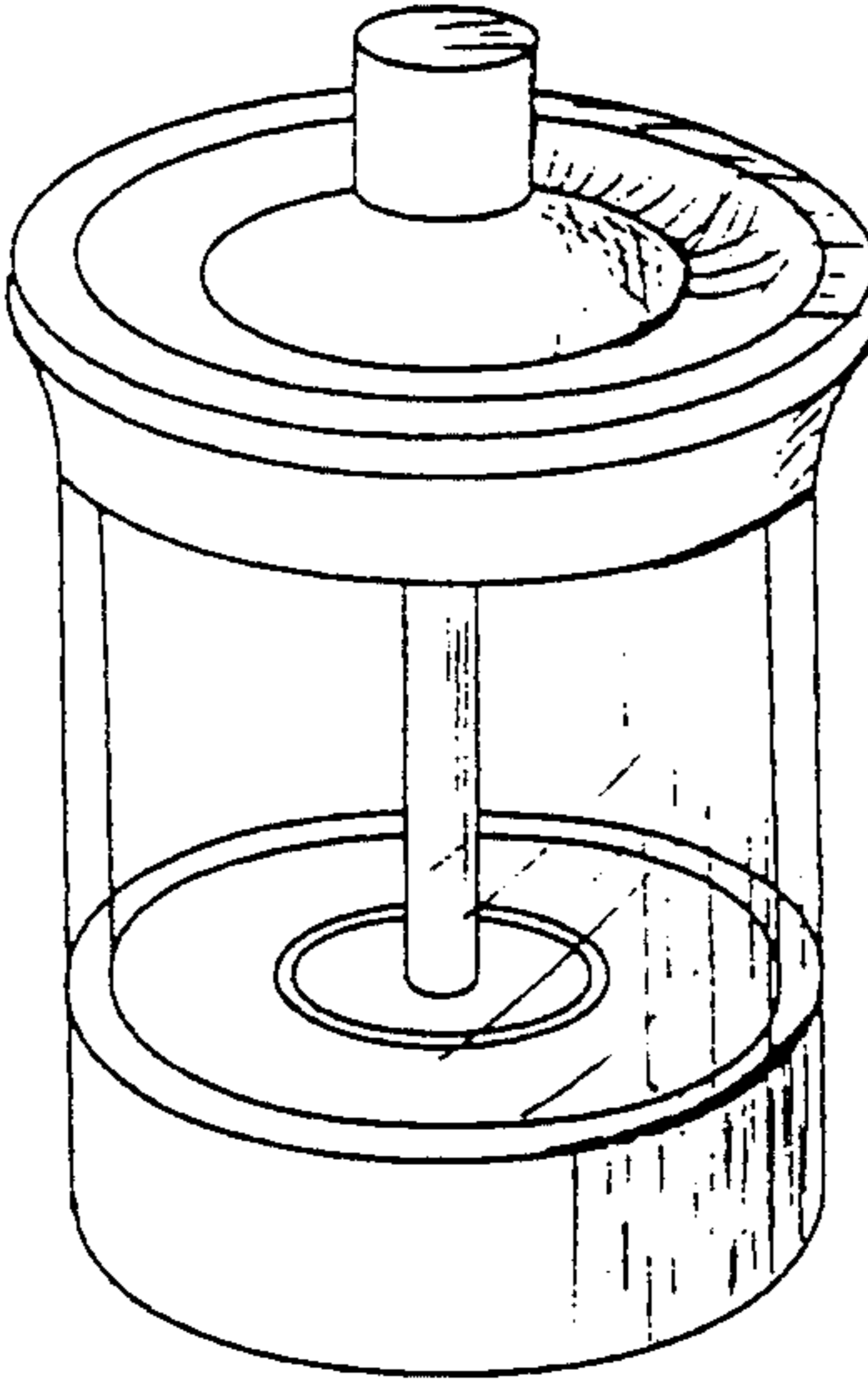


FIG 4