



US00D341061S

United States Patent [19]

[11] Patent Number: **Des. 341,061**

Thun

[45] Date of Patent: **** Nov. 9, 1993**

[54] HANDLE FOR FLATWARE

[75] Inventor: **Matteo Thun, Milan, Italy**

[73] Assignee: **WMF Wuerttembergische Metallwarenfabrik Aktiengesellschaft, Geislingen, Fed. Rep. of Germany**

[**] Term: **14 Years**

[21] Appl. No.: **895,883**

[22] Filed: **Jun. 9, 1992**

[30] Foreign Application Priority Data

Dec. 16, 1991 [XH] Hague DM 021437

[52] U.S. Cl. D7/645; D7/649; D7/653

[58] Field of Search D7/642, 645, 649, 652, D7/653, 662, 663, 664, 401.2; 30/147-150, 324, 325

[56] References Cited

U.S. PATENT DOCUMENTS

D. 37,190	10/1904	Codman	D7/653
D. 46,924	2/1915	Crowell	D7/653
D. 47,782	9/1915	Crowell	D7/653
D. 61,612	10/1922	Smith et al.	D7/653
D. 74,245	1/1928	Wilkes	D7/653
D. 94,688	2/1935	Helander	D7/653
D. 95,683	5/1935	Helander	D7/653
D. 149,332	4/1948	Allen et al.	D7/649

OTHER PUBLICATIONS

Oneida Catalog; p. 9; Pacific Pattern.

Primary Examiner—Alan P. Douglas

Assistant Examiner—Caron D. Veymar

Attorney, Agent, or Firm—Flynn, Thiel, Boutell & Tanis

[57] CLAIM

The ornamental design for a handle for flatware, as shown and described.

DESCRIPTION

FIG. 1 is a front view of a handle for flatware, here in association with a knife blade, embodying my new design, the rear view of the handle being a mirror image of the front view;

FIG. 2 is a right side view thereof, the left side view being identical thereto;

FIG. 3 is a sectional view taken along the line 3—3 of FIG. 1;

FIG. 4 is a sectional view taken along the line 4—4 of FIG. 1;

FIG. 5 is a sectional view taken along the line 5—5 of FIG. 1;

FIG. 6 is a front view of the handle for flatware, here in association with a spoon;

FIG. 7 is a right side view of FIG. 6, the left side view being a mirror image thereof;

FIG. 8 is a rear view of FIG. 6;

FIG. 9 is a sectional view taken along the line 9—9 of FIG. 6;

FIG. 10 is a sectional view taken along the line 10—10 of FIG. 6;

FIG. 11 is a sectional view taken along the line 11—11 of FIG. 6;

FIG. 12 is a front view of a handle for flatware, here in association with a fork;

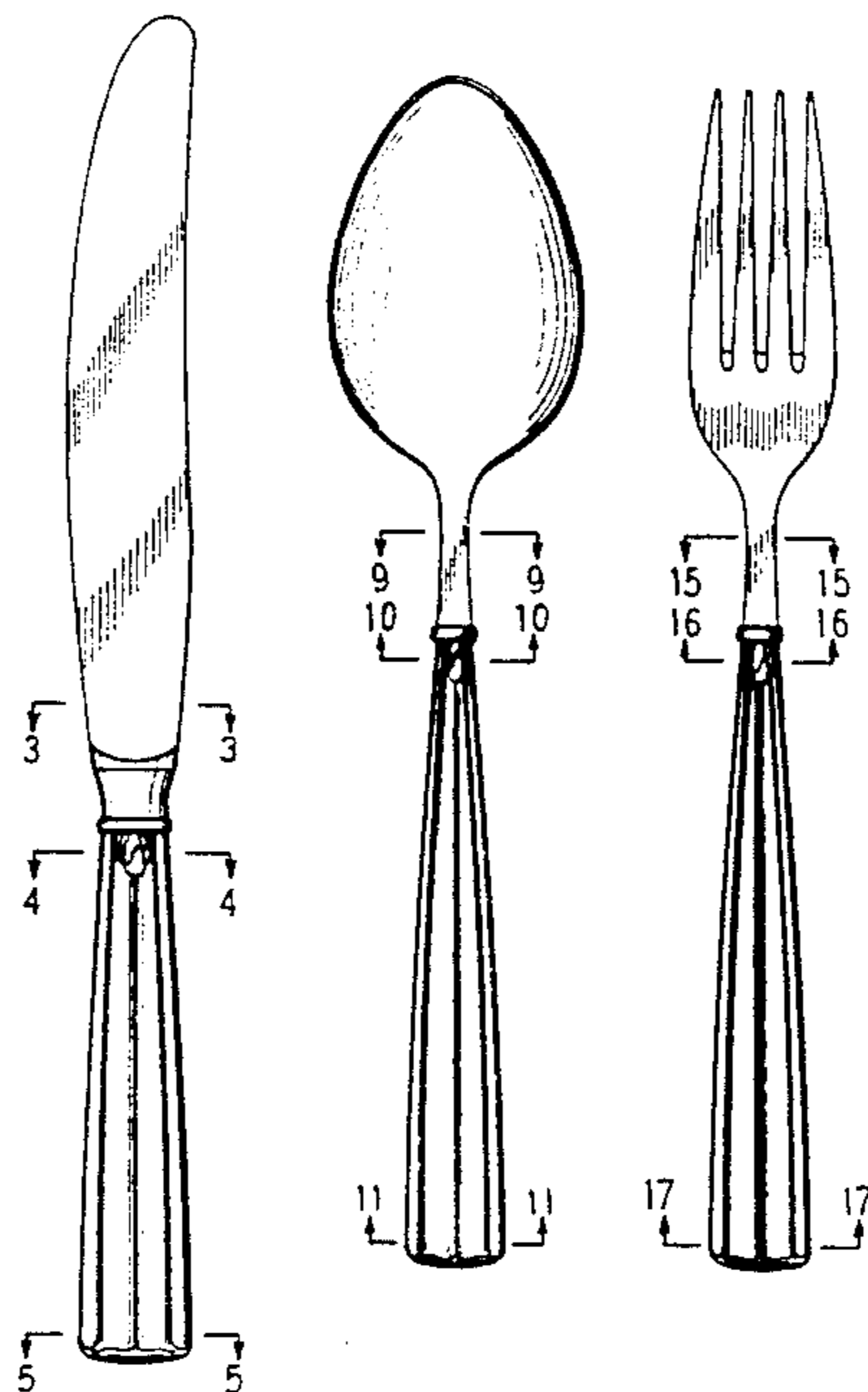
FIG. 13 is a right side view of FIG. 12, the left side view being a mirror image thereof; and,

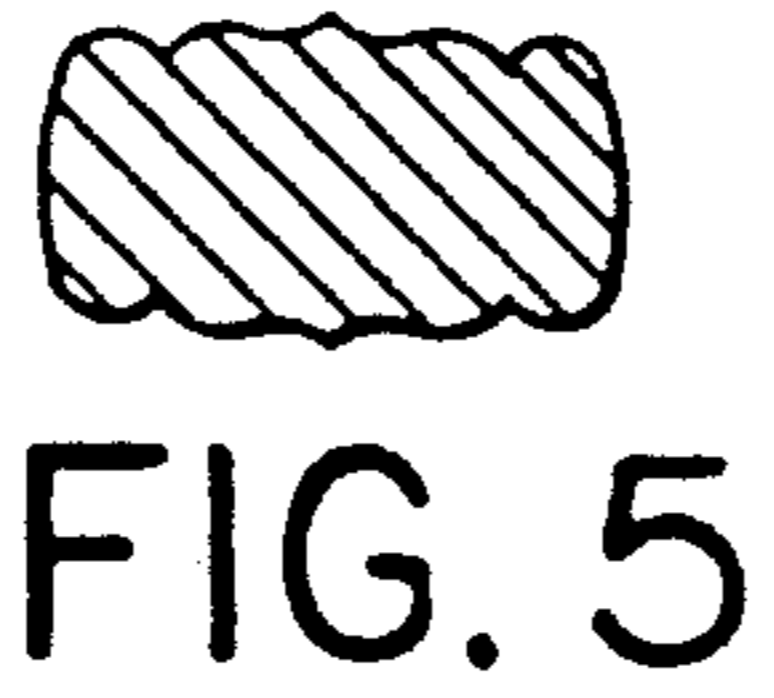
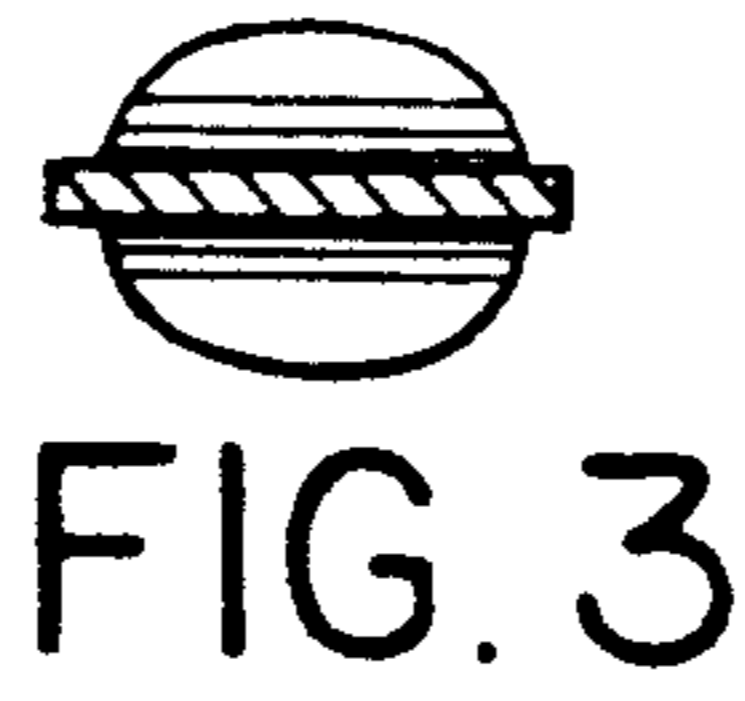
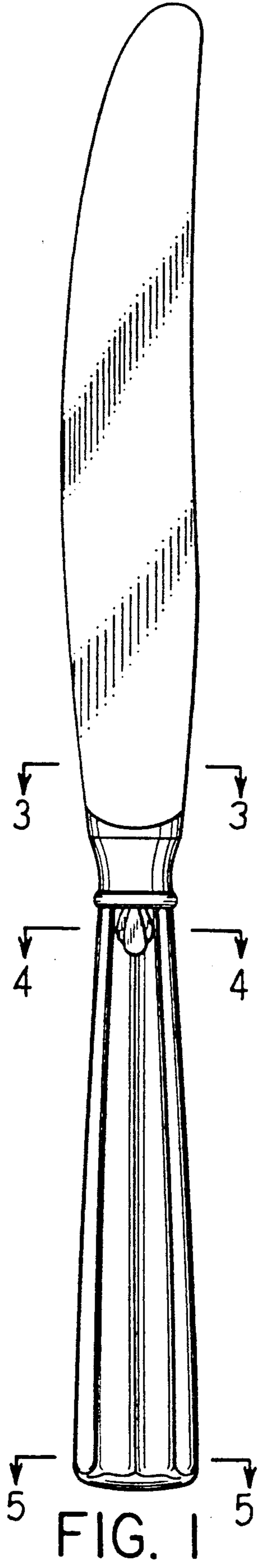
FIG. 14 is a rear view of FIG. 12.

The sectional view taken along the line 15—15 is identical to the illustration of FIG. 9;

The sectional view taken along the line 16—16 is identical to the illustration of FIG. 10; and

The sectional view taken along the line 17—17 is identical to the illustration of FIG. 11.





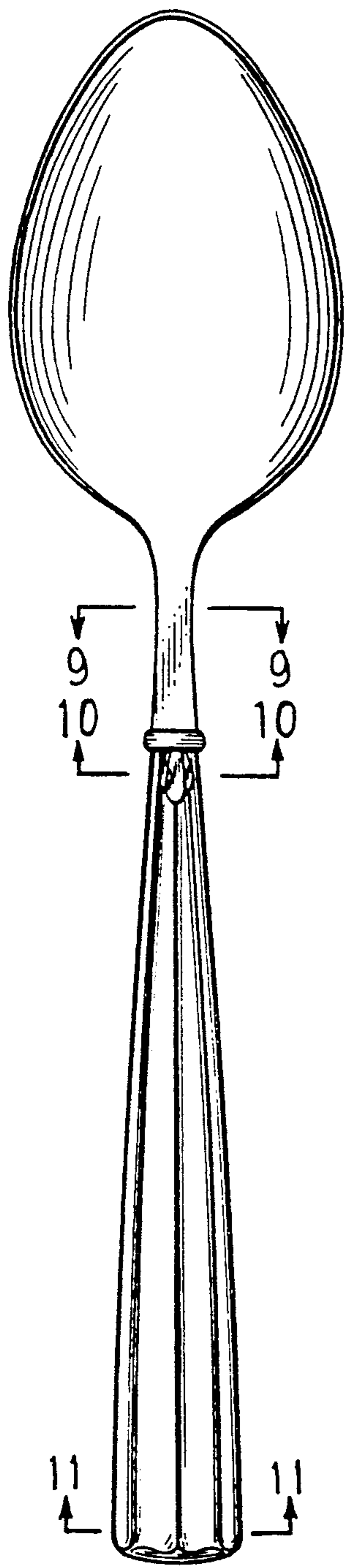


FIG. 6

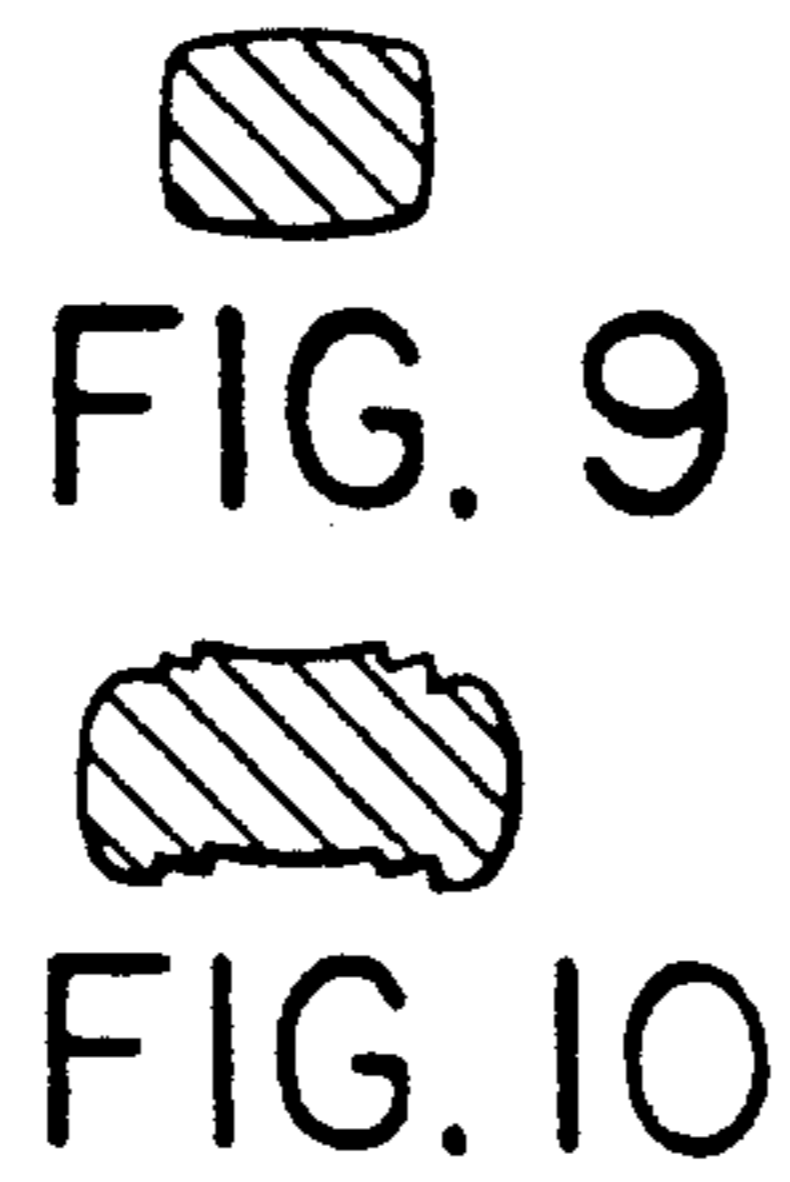


FIG. 9

FIG. 10



FIG. 11

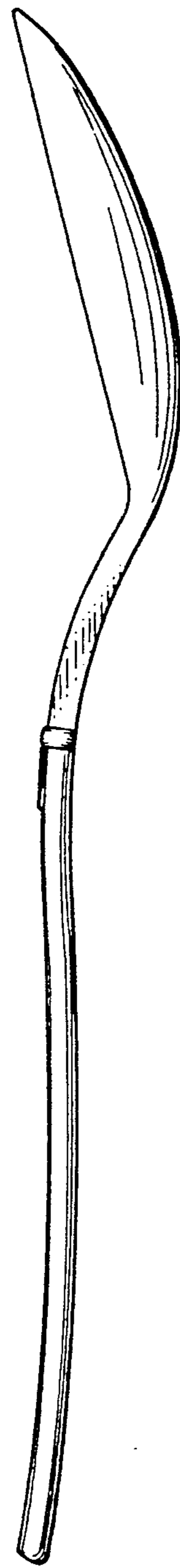


FIG. 7

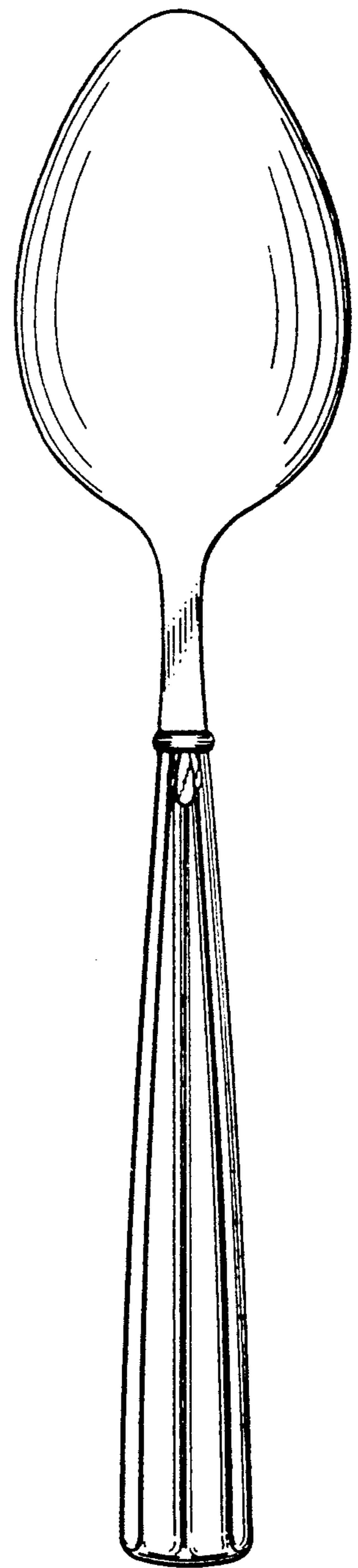


FIG. 8

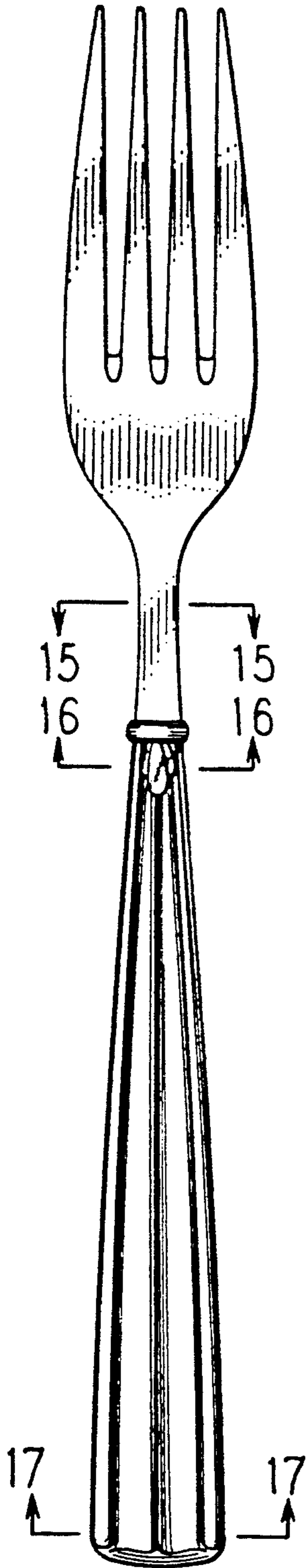


FIG. 12

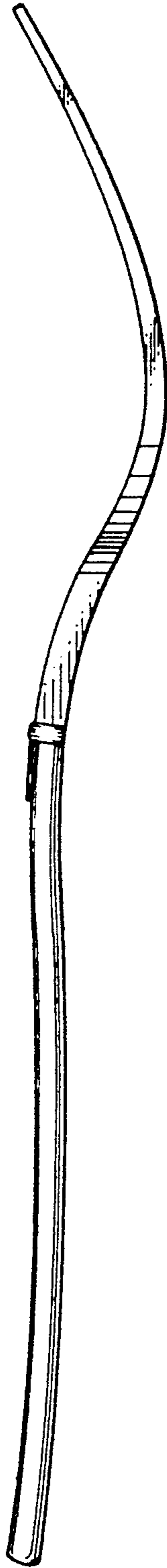


FIG. 13

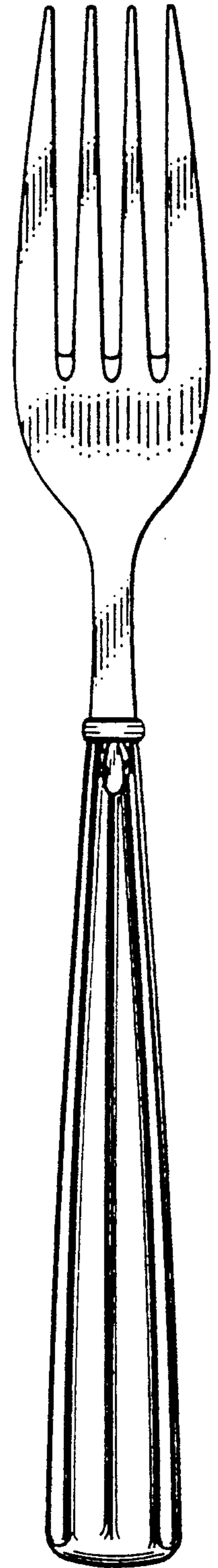


FIG. 14