



US00D341060S

# United States Patent [19]

[11] Patent Number: **Des. 341,060**

Litt et al.

[45] Date of Patent: **\*\* Nov. 9, 1993**

[54] **COOLER ON WHEELS**

[56] **References Cited**

[76] Inventors: **Douglas A. Litt; Gregory F. Konves,**  
both of 1592 Reiser Dr., Mansfield,  
Ohio 44905

### U.S. PATENT DOCUMENTS

D. 328,689 8/1992 Riskowski ..... D7/605  
4,873,841 10/1989 Bradshaw et al. .... 62/457.1 X

*Primary Examiner*—Terry A. Pfeffer Wallace  
*Attorney, Agent, or Firm*—Leon Gilden

[\*\*] Term: **14 Years**

[57] **CLAIM**

The ornamental design for a cooler on wheels, as shown and described.

[21] Appl. No.: **841,005**

### DESCRIPTION

[22] Filed: **Feb. 25, 1992**

[52] U.S. Cl. .... **D7/605**

[58] Field of Search ..... D7/605; D34/12, 24,  
D34/25, 19; 62/457.1, 457.7, 239, 340-342;  
280/43.1, 43.24, 645, 651-652

FIG. 1 is a front elevational view of the cooler on wheels showing our new design;  
FIG. 2 is a rear elevational view thereof;  
FIG. 3 is a left side elevational view thereof;  
FIG. 4 is a right side elevational view thereof;  
FIG. 5 is a top plan view thereof; and,  
FIG. 6 is a bottom plan view thereof.

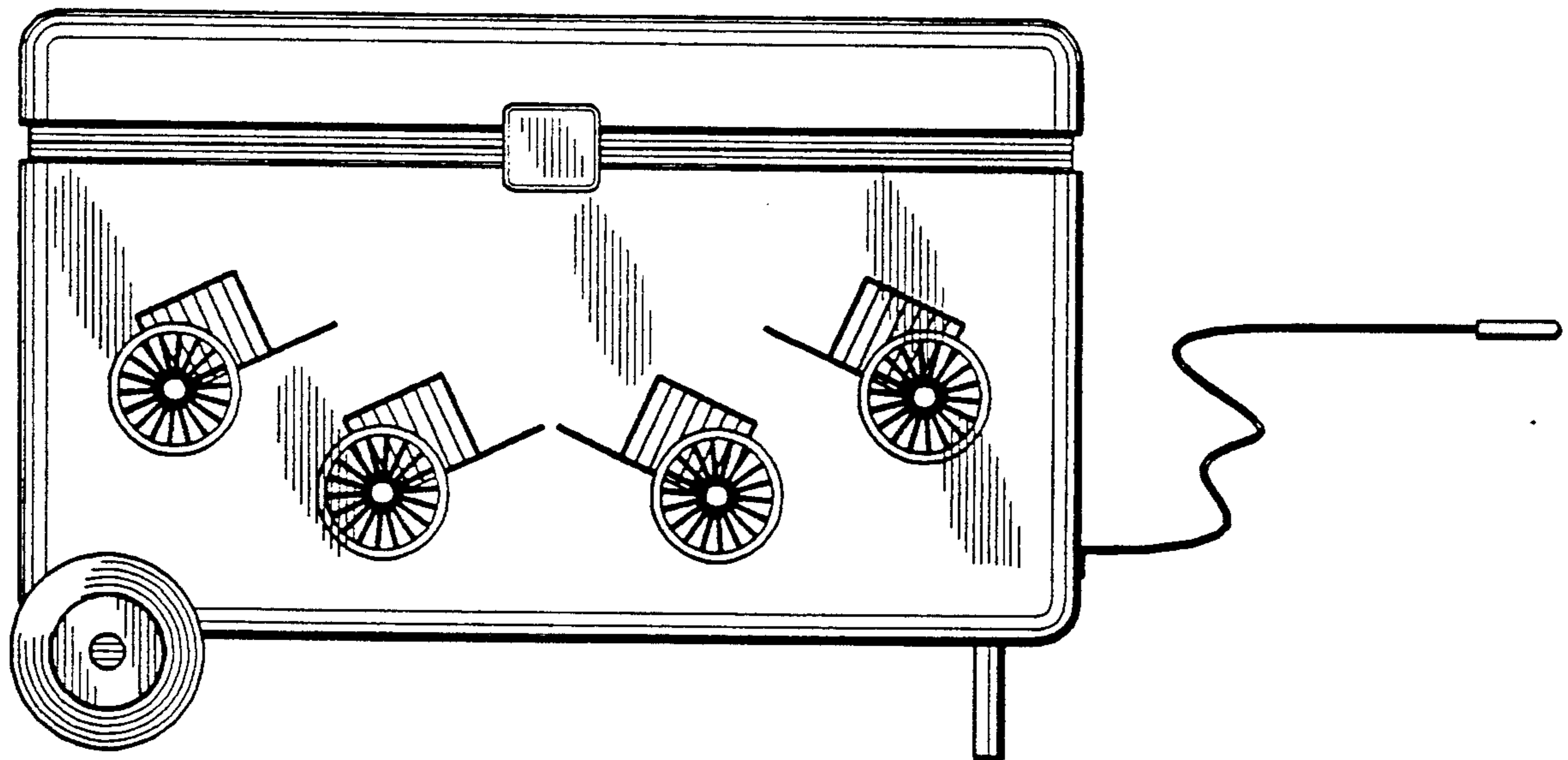


FIG. 1

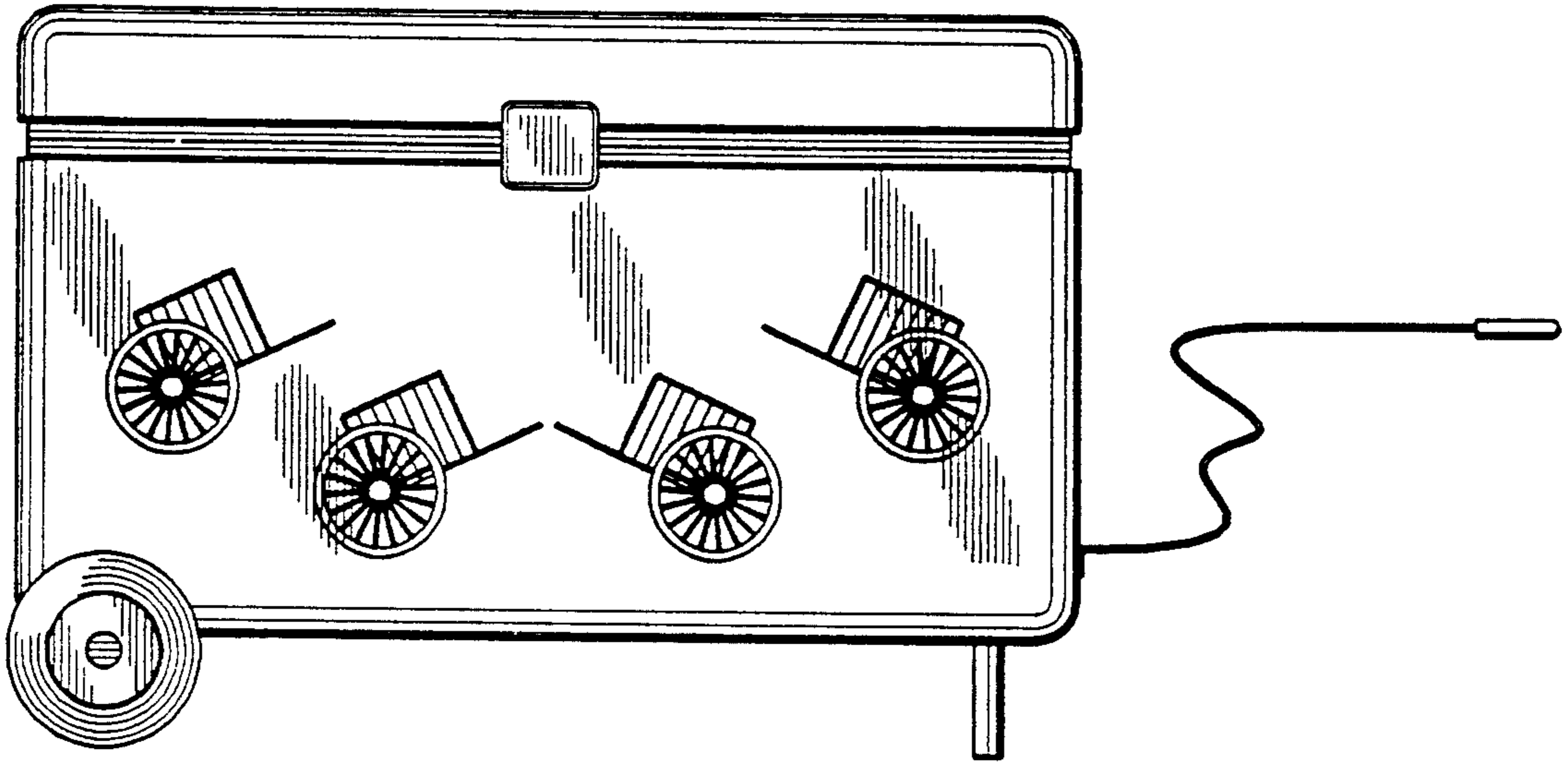


FIG. 2

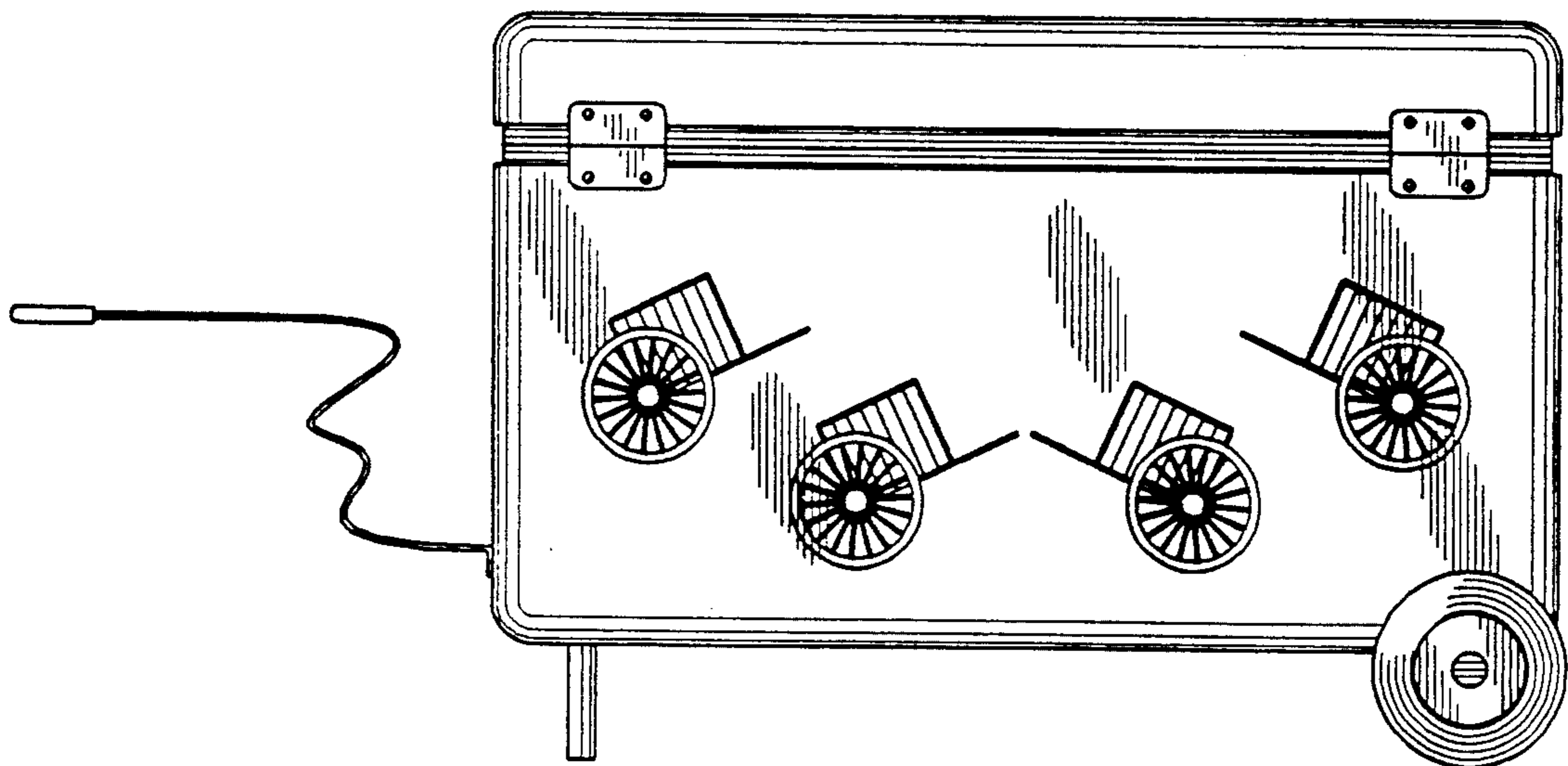


FIG. 3

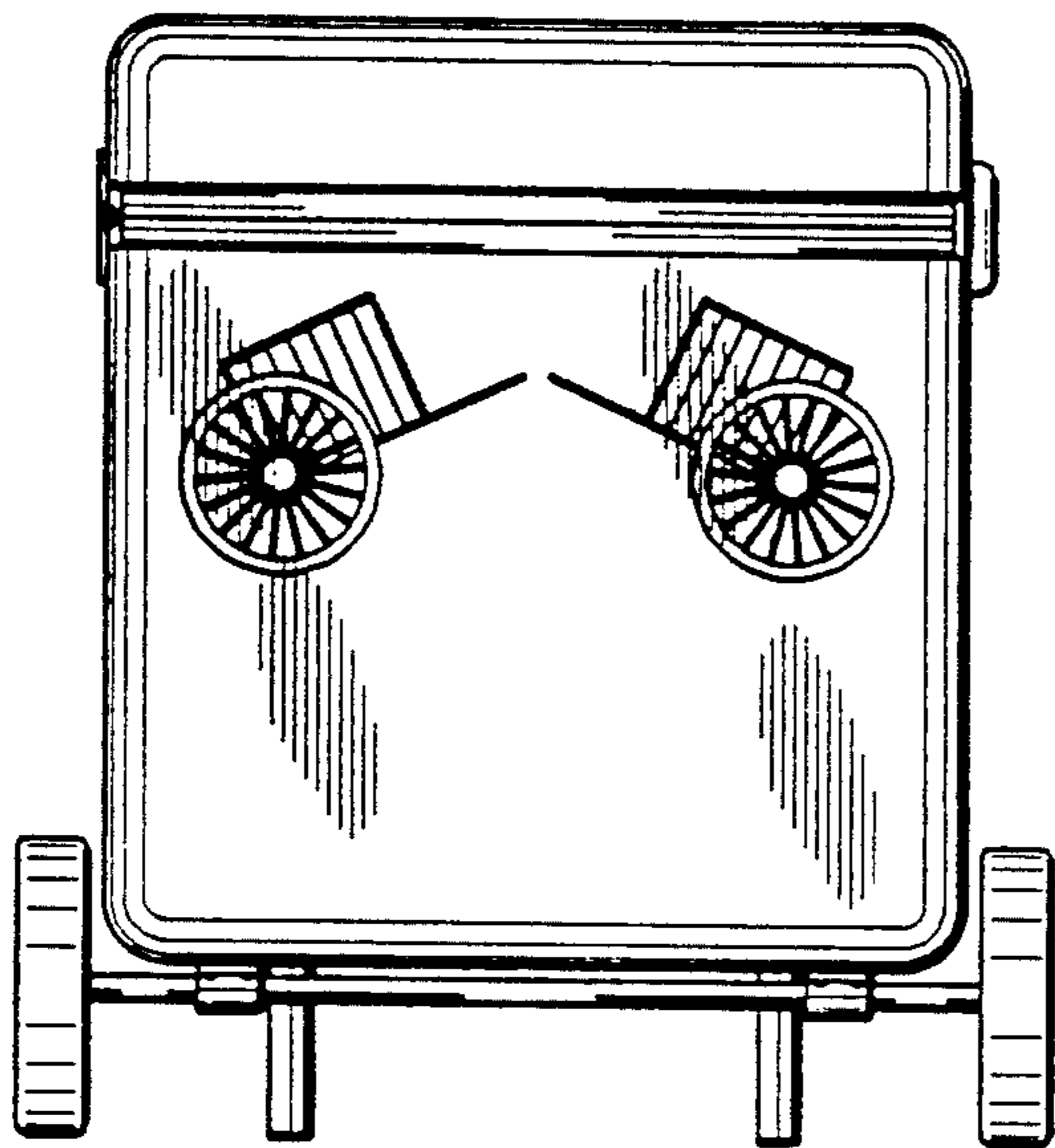


FIG. 4

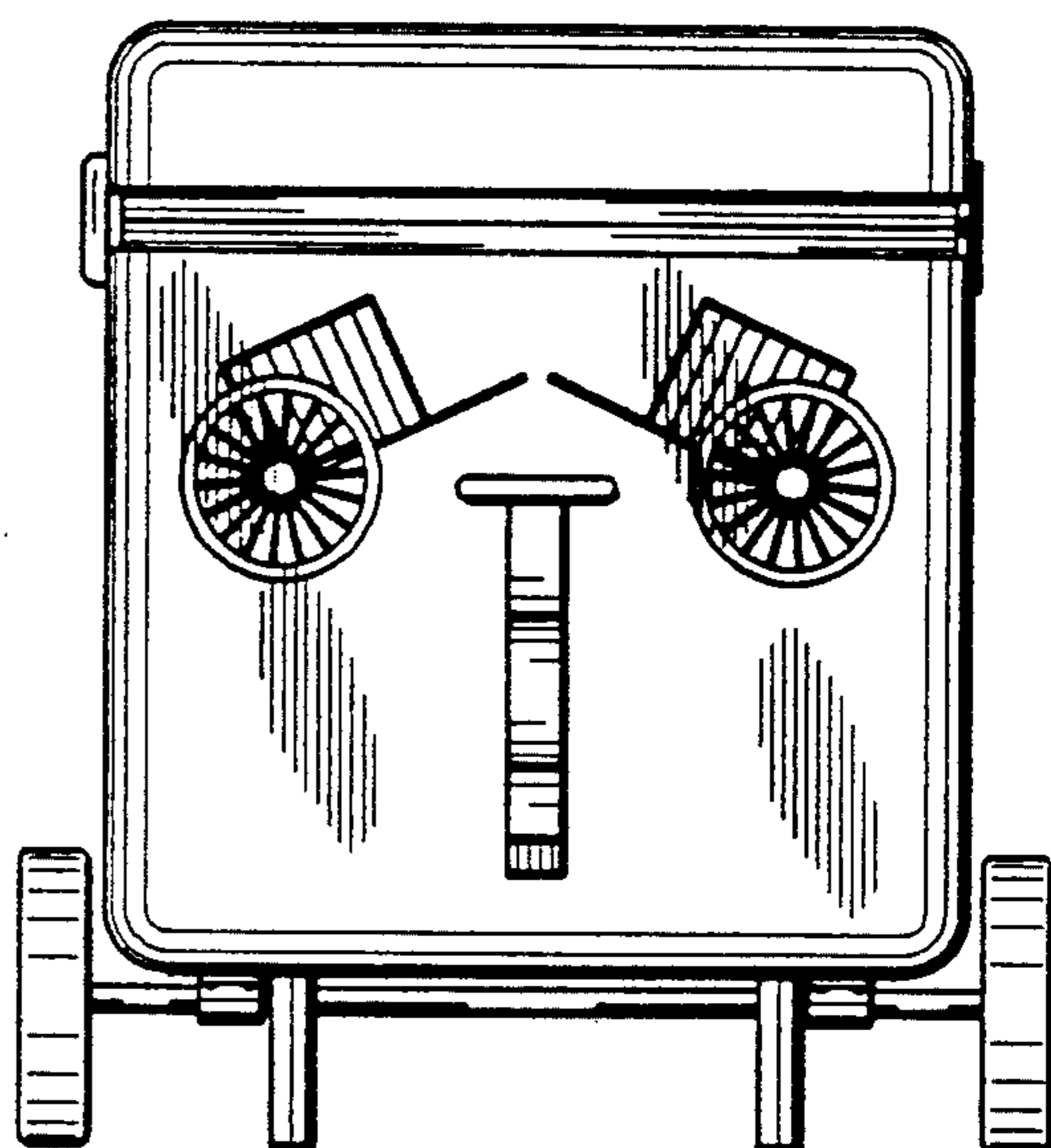


FIG. 5

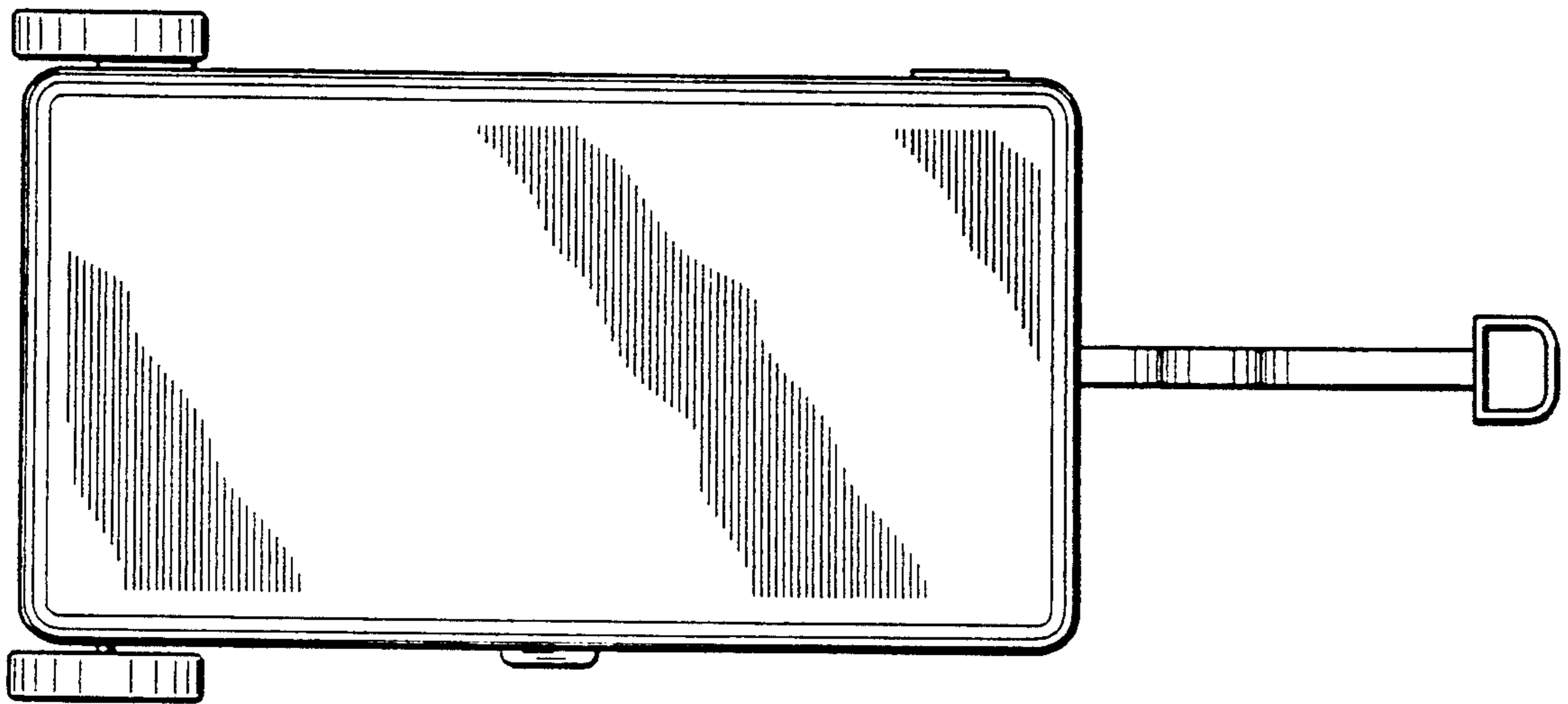


FIG. 6

