



US00D341059S

United States Patent [19]

[11] Patent Number: **Des. 341,059**

Watson

[45] Date of Patent: **** Nov. 9, 1993**

[54] **COFFEE FILTER RETAINER**

4,885,987 12/1989 Frank et al. 210/479 X
4,949,435 8/1990 Michelson 24/67.9
5,054,614 10/1991 Glaus et al. 24/67.9 X

[76] Inventor: **Carolyn S. Watson**, 3320 Wall Blvd.
Bldg. 8 Apt. 303, Gretna, La. 70056

Primary Examiner—Carmen H. Vales-Lado
Assistant Examiner—M. N. Pandozzi
Attorney, Agent, or Firm—Leon Gilden

[**] Term: **14 Years**

[21] Appl. No.: **715,212**

[57] **CLAIM**

[22] Filed: **Jun. 14, 1991**

The ornamental design for a coffee filter retainer, as shown and described.

[52] U.S. Cl. **D7/400; D7/399**

[58] Field of Search **D7/313, 317, 322, 300, D7/300.1, 305, 308, 400, 307, 399, 212; 29/67.9; 210/479, 477, 497.3, 482; 97/295; 222/146.6, 189; D3/61, 62, 63; D11/77.1, 13, 76, 75, 78; D19/65; 223/DIG. 2, DIG. 4**

DESCRIPTION

[56] **References Cited**

U.S. PATENT DOCUMENTS

D. 317,388	6/1991	White	D7/400
D. 322,735	12/1991	Morton	D7/400
972,531	10/1910	Haynes	24/67.9
3,057,028	10/1962	Lorber	24/67.9
4,656,932	4/1987	Kopp	97/295

FIG. 1 is a front elevational view of the coffee filter retainer showing my new design;
FIG. 2 is a rear elevational view thereof;
FIG. 3 is a left side elevational view thereof;
FIG. 4 is a right side elevational view thereof;
FIG. 5 is a top plan view thereof;
FIG. 6 is a bottom plan view thereof; and,
FIG. 7 is a top perspective view thereof in use.
The broken line showing of a coffee filter and coffee filter container is for illustrative purposes only and forms no part of the claimed design.

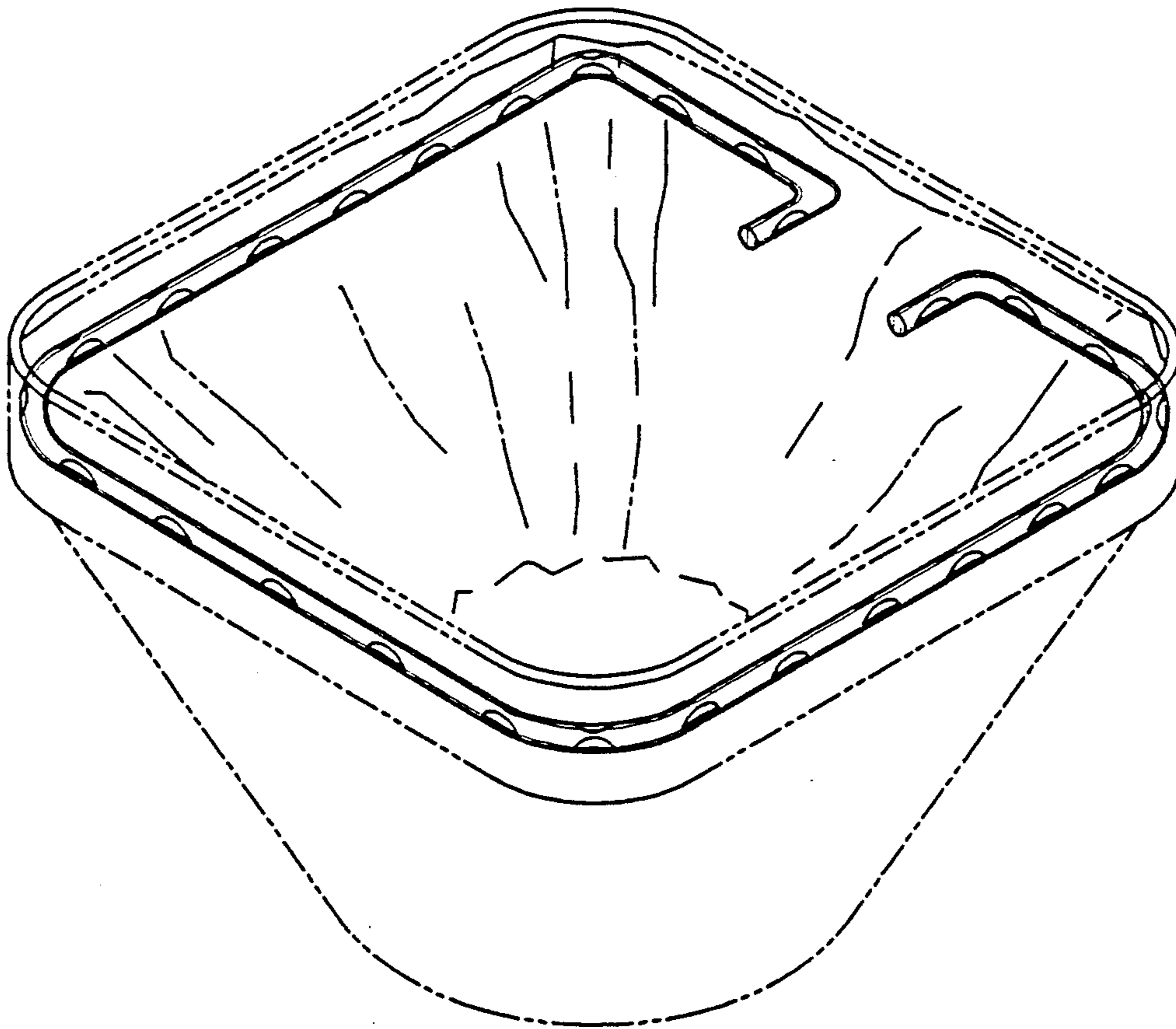


FIG. 1



FIG. 2



FIG. 3



FIG. 4



FIG. 5

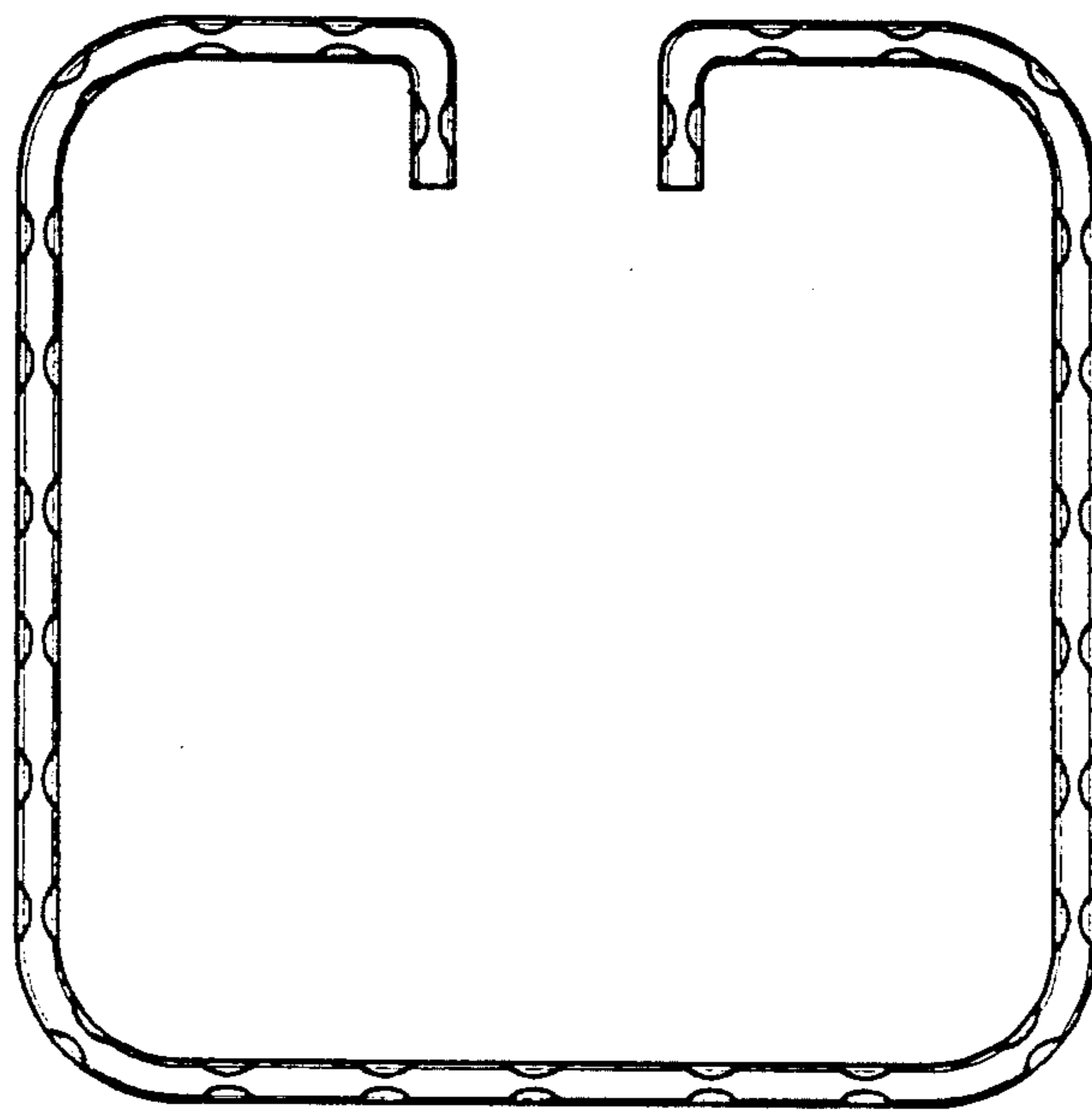


FIG. 6

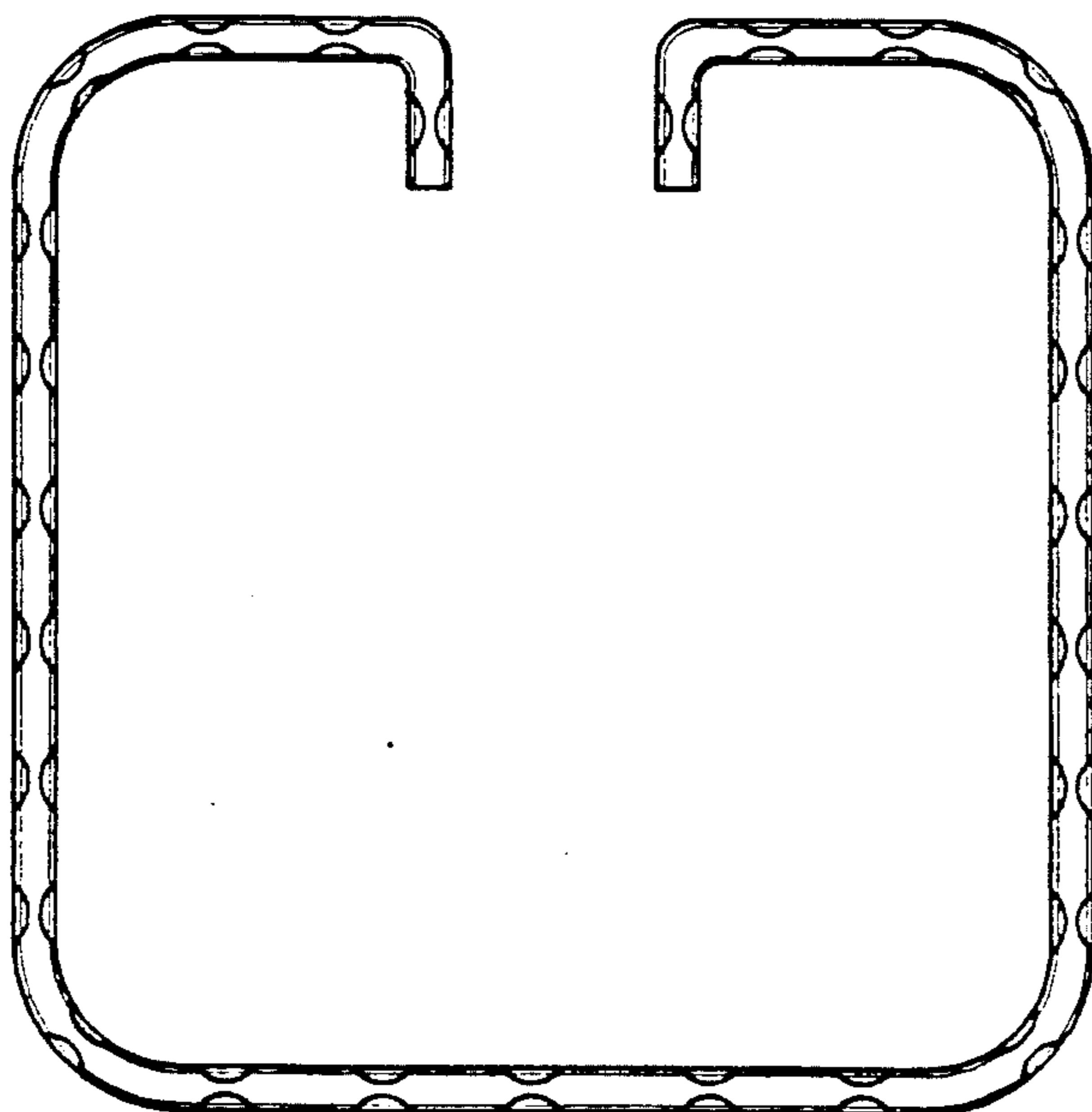


FIG. 7

