



US00D341058S

# United States Patent [19]

[11] Patent Number: **Des. 341,058**

Slany et al.

[45] Date of Patent: **\*\* Nov. 9, 1993**

[54] POT WITH A LID

[56] **References Cited**

[75] Inventors: **Hans E. Slany; Reinhard Renner,**  
both of Esslingen, Fed. Rep. of  
Germany

### U.S. PATENT DOCUMENTS

D. 199,747 12/1964 Farber ..... D7/360 X  
D. 250,385 11/1978 Babros et al. .... D7/360  
5,154,114 10/1992 Chang ..... 99/426 X

[73] Assignee: **Silit-Werke GmbH & Co. KG,** Fed.  
Rep. of Germany

*Primary Examiner*—Alan P. Douglas  
*Assistant Examiner*—Caron D. Veynar  
*Attorney, Agent, or Firm*—Hill, Steadman & Simpson

[\*\*] Term: **14 Years**

### [57] CLAIM

The ornamental design for a pot with a lid, as shown.

[21] Appl. No.: **924,823**

### DESCRIPTION

[22] Filed: **Aug. 3, 1992**

FIG. 1 is a perspective view taken from an upper front of the ornamental design of a pot with a lid embodying our new design;

### [30] Foreign Application Priority Data

Feb. 4, 1992 [DE] Fed. Rep. of  
Germany ..... M9200774.0

FIG. 2 is a front elevational view of the pot with a lid of FIG. 1;

[52] U.S. Cl. .... D7/360; D7/354

FIG. 3 is a side elevational view of the pot with a lid of FIG. 1;

[58] Field of Search ..... D7/323, 354, 358, 360,  
D7/391-392.1; 220/912, 94 R; 99/425, 426

FIG. 4 is a top plan view of the pot with a lid of FIG. 1; and,

FIG. 5 is a bottom plan view of the pot with a lid of FIG. 1.

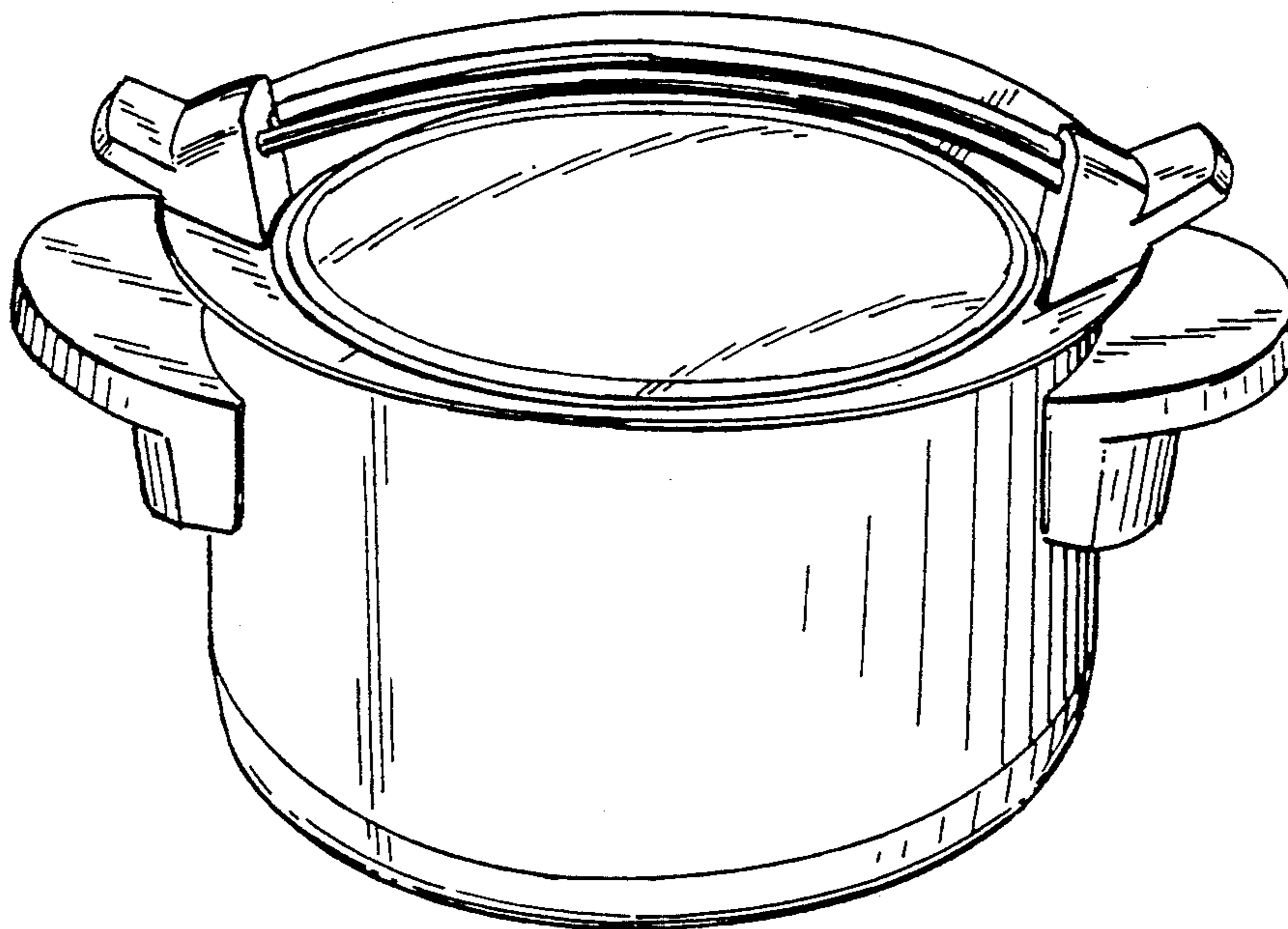


FIG. 1

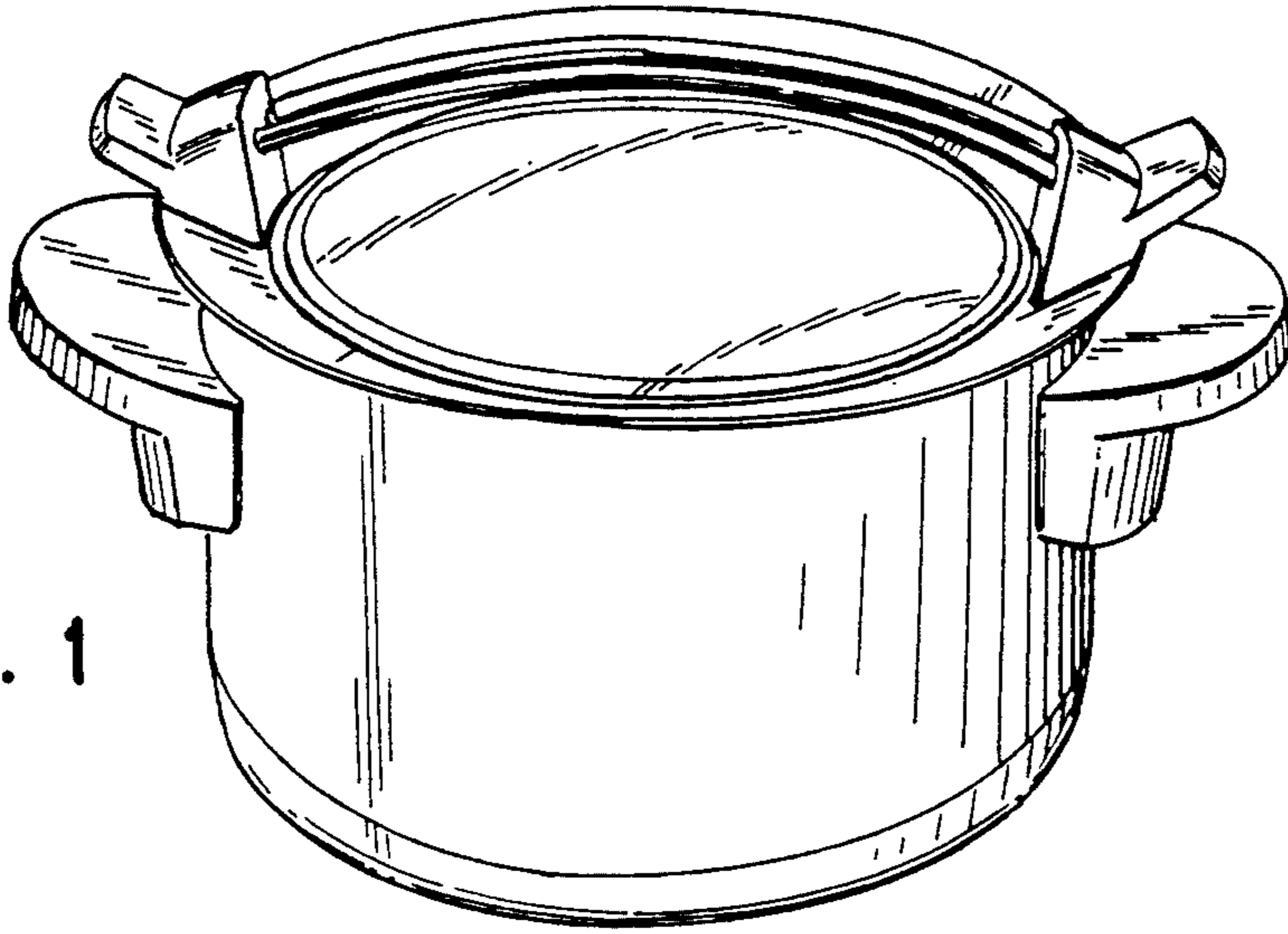


FIG. 2

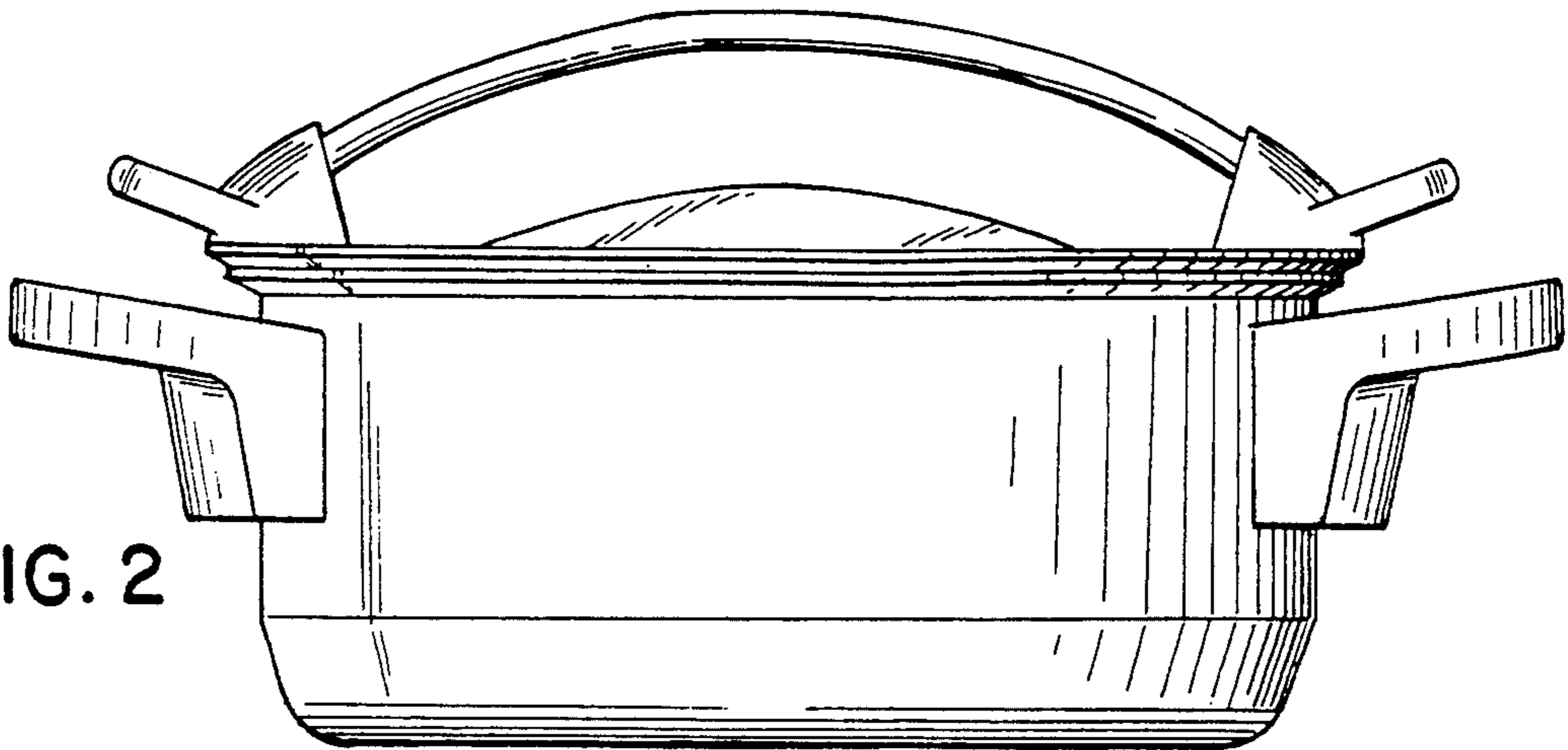


FIG. 3

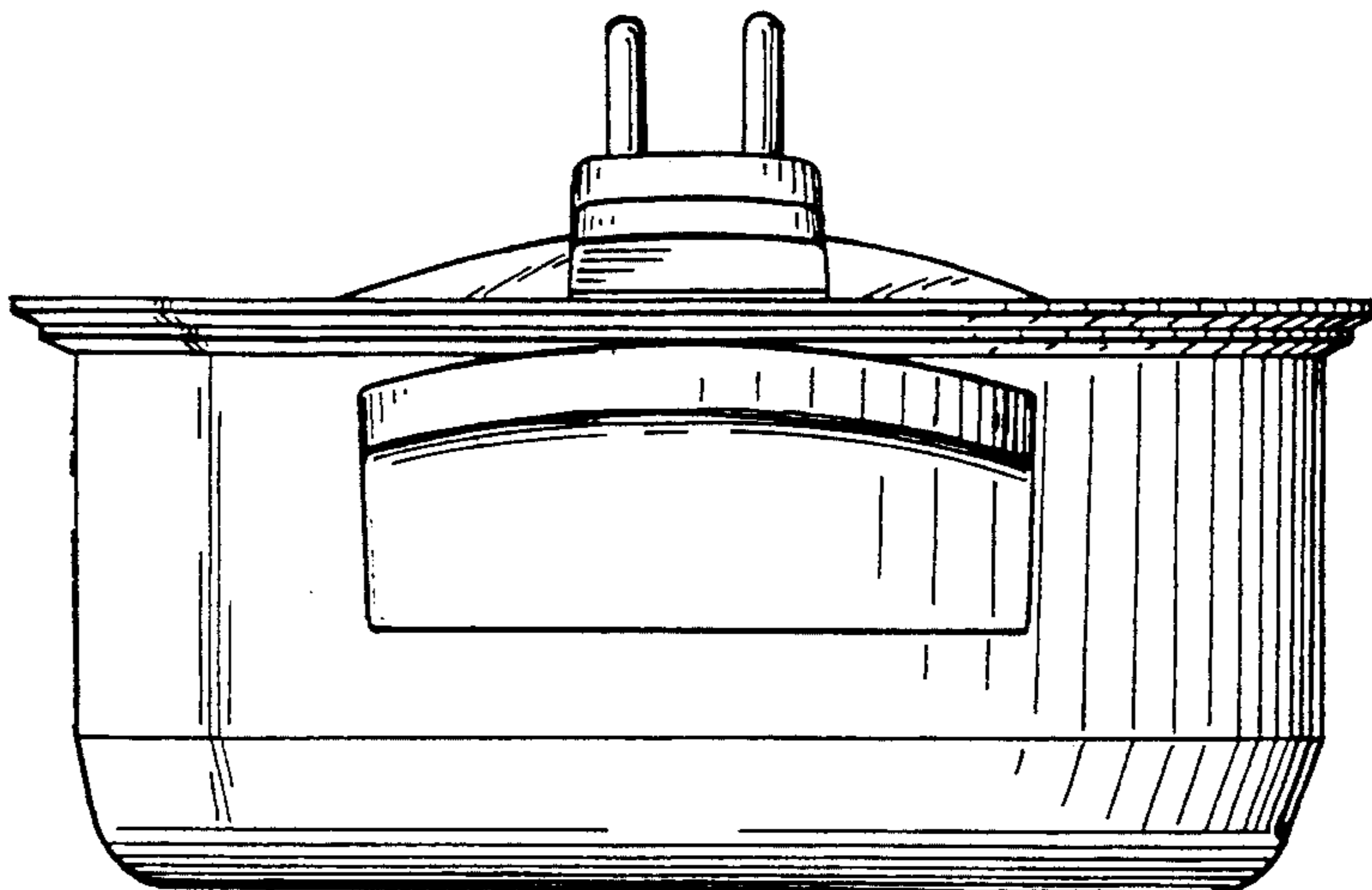


FIG. 4

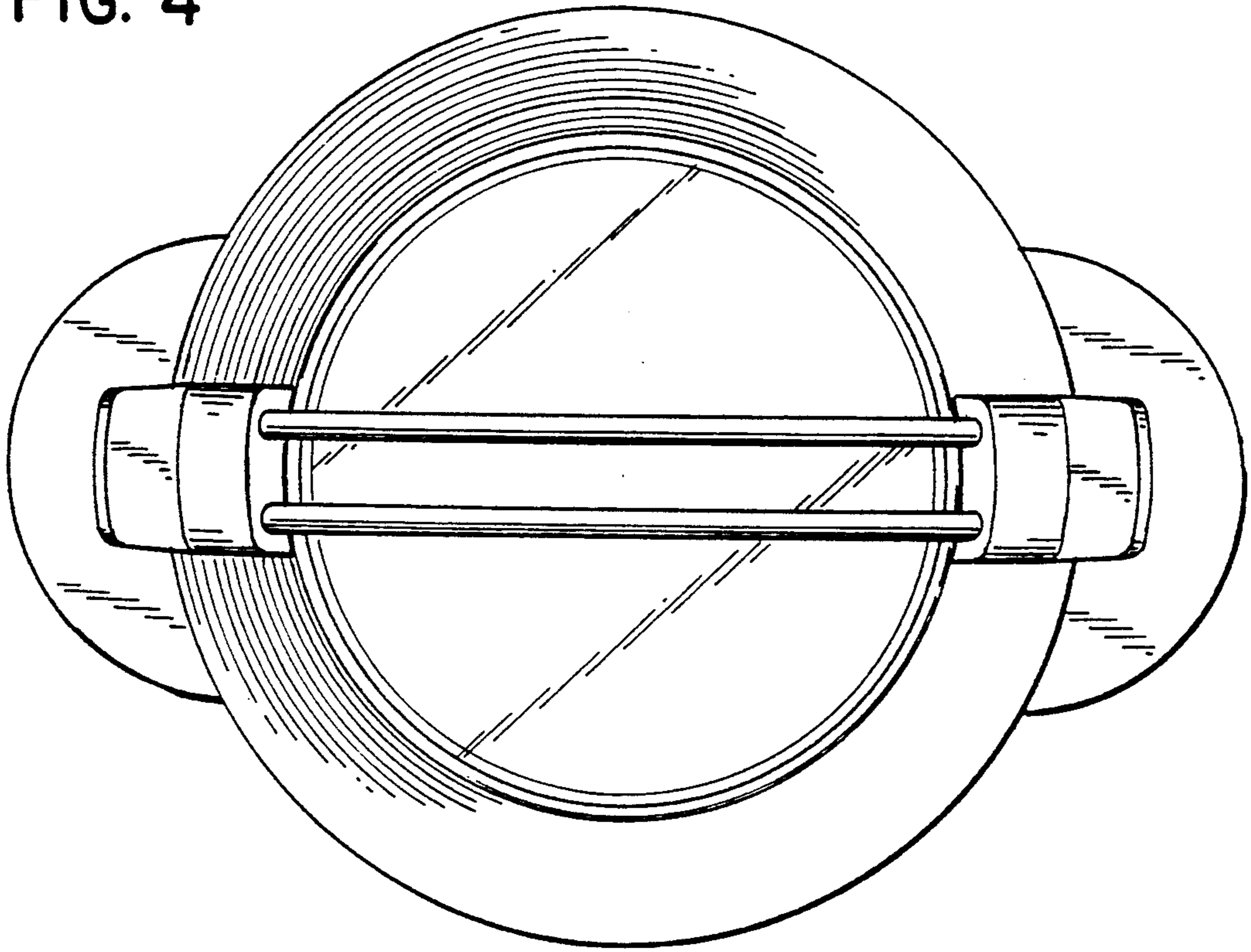


FIG. 5

