



US00D341054S

United States Patent [19]

[11] Patent Number: **Des. 341,054**

Maputol

[45] Date of Patent: **** Nov. 9, 1993**

[54] **VEHICLE ENGINE ATTACHED FOOD HEATING CONTAINER**

D. 240,003	5/1976	Gairard	D7/605
3,809,059	5/1974	Burk	126/19.5
3,874,361	4/1975	Parrinello	126/19.5
4,162,670	7/1979	Hays	126/19.5
4,662,273	5/1987	Marchioni	99/440

[76] Inventor: **Nicanor G. Maputol**, 4150 78th St., Apt. #609, Elmhurst, N.Y. 11373

Primary Examiner—Ruth McInroy
Attorney, Agent, or Firm—Terry M. Gernstein

[**] Term: **14 Years**

[21] Appl. No.: **715,221**

[57] **CLAIM**

[22] Filed: **Jun. 14, 1991**

The ornamental design for a vehicle engine attached food heating container, as shown and described.

[52] U.S. Cl. **D7/332; D7/348; D7/402**

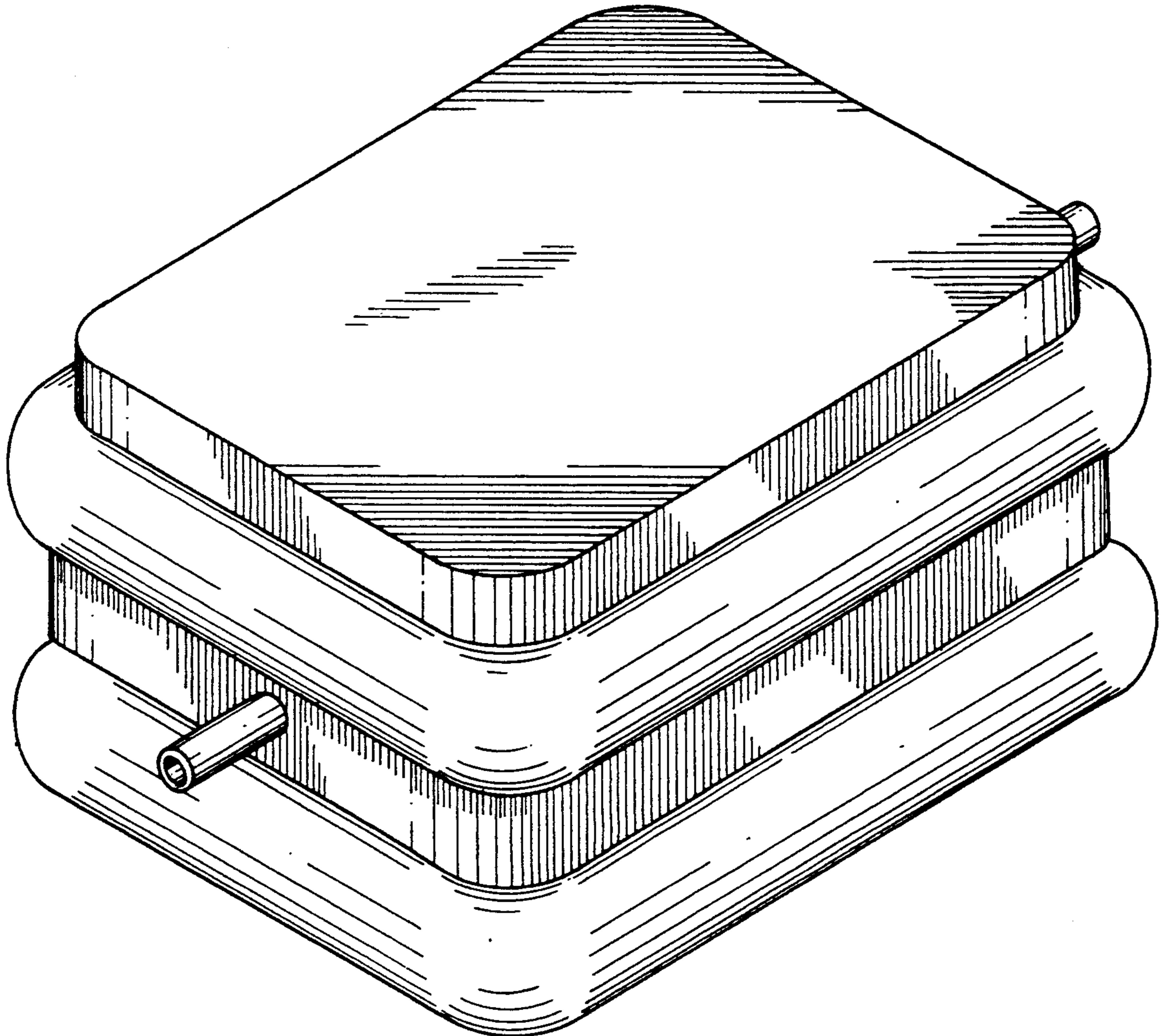
DESCRIPTION

[58] **Field of Search** D7/402, 323, 347-348, D7/352, 332; 126/19 R, 19 M, 20, 20.1, 20.2, 273 R, 275 R; D15/5; 219/385, 391, 395, 402, 410

FIG. 1 is a perspective view of a vehicle engine attached food heating container showing my new design; FIG. 2 is a front elevational view thereof, the rear view being a mirror image; FIG. 3 is an end elevational view thereof, the opposite end being a mirror image; FIG. 4 is a top plan view thereof; and, FIG. 5 is a bottom view thereof.

[56] **References Cited**
U.S. PATENT DOCUMENTS

38,959 12/1907 Polsky D7/323



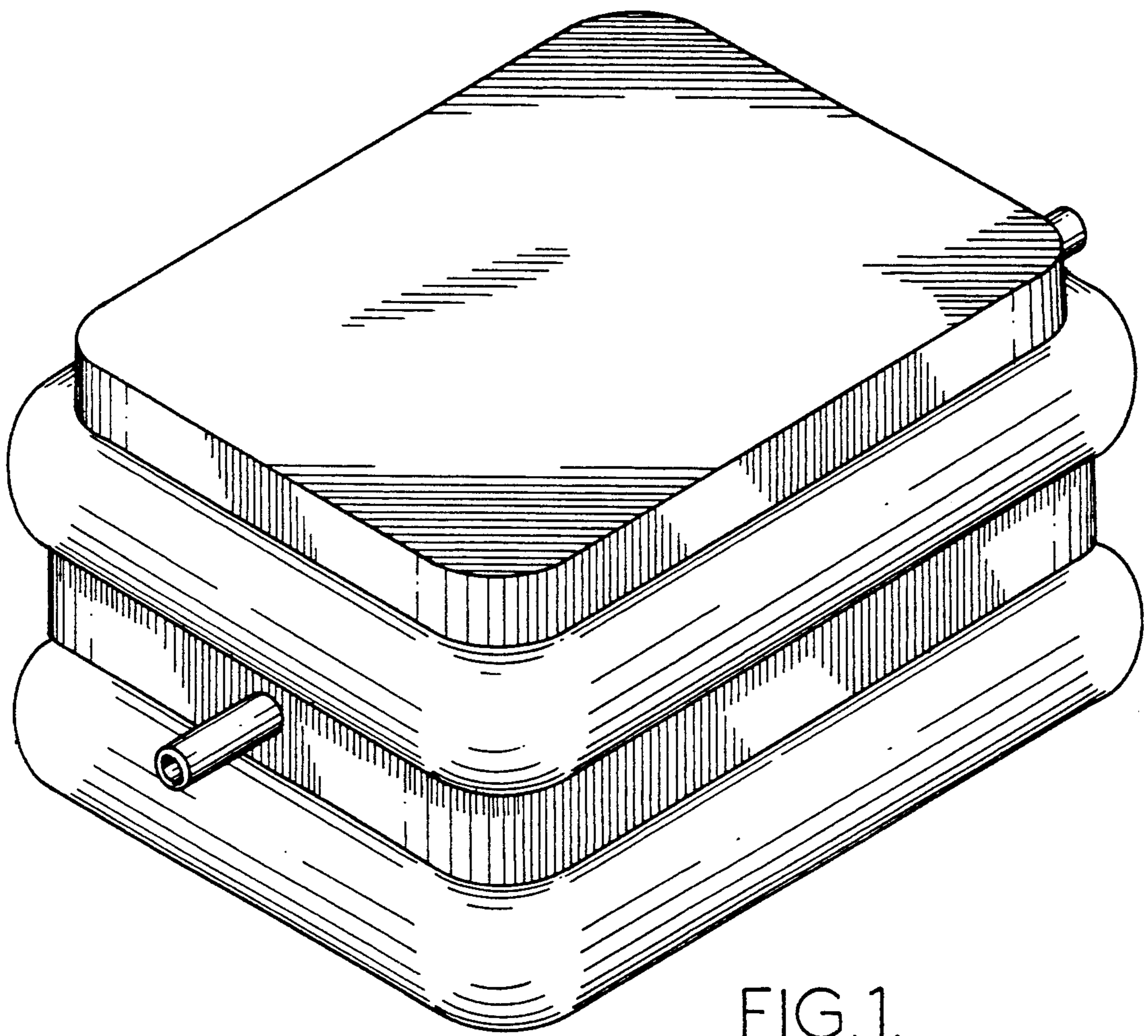


FIG.1.

FIG. 2.

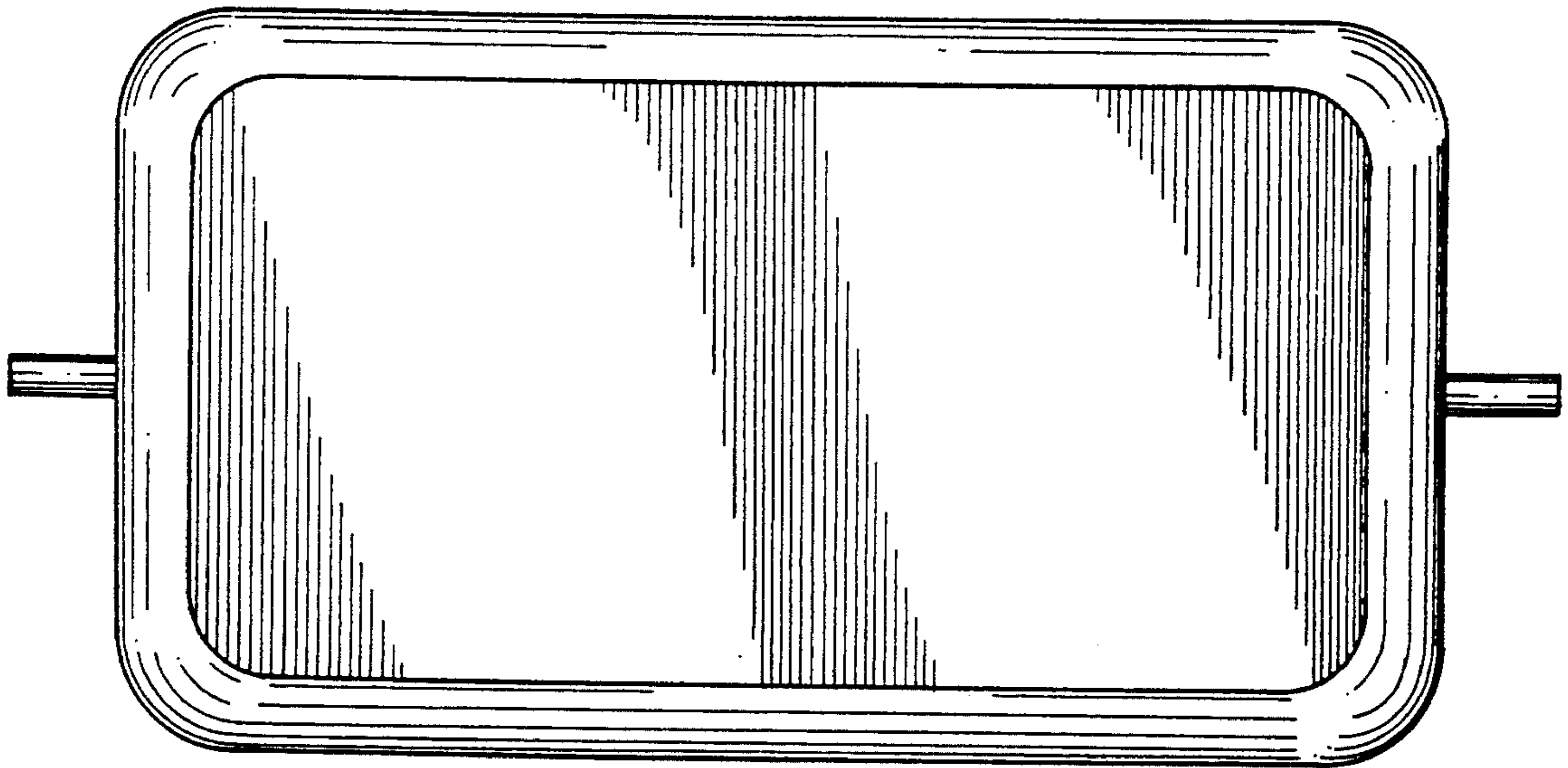
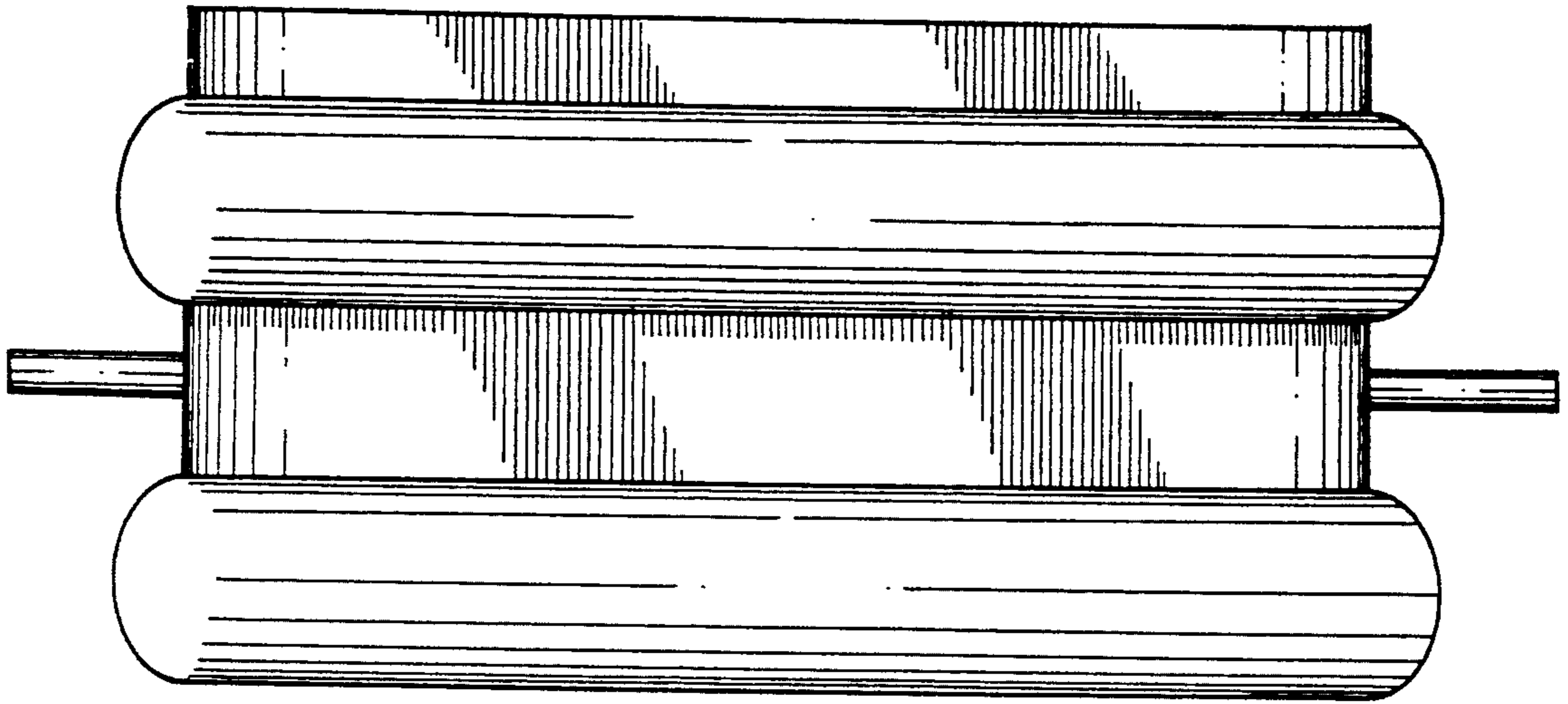


FIG. 4.

FIG. 3.

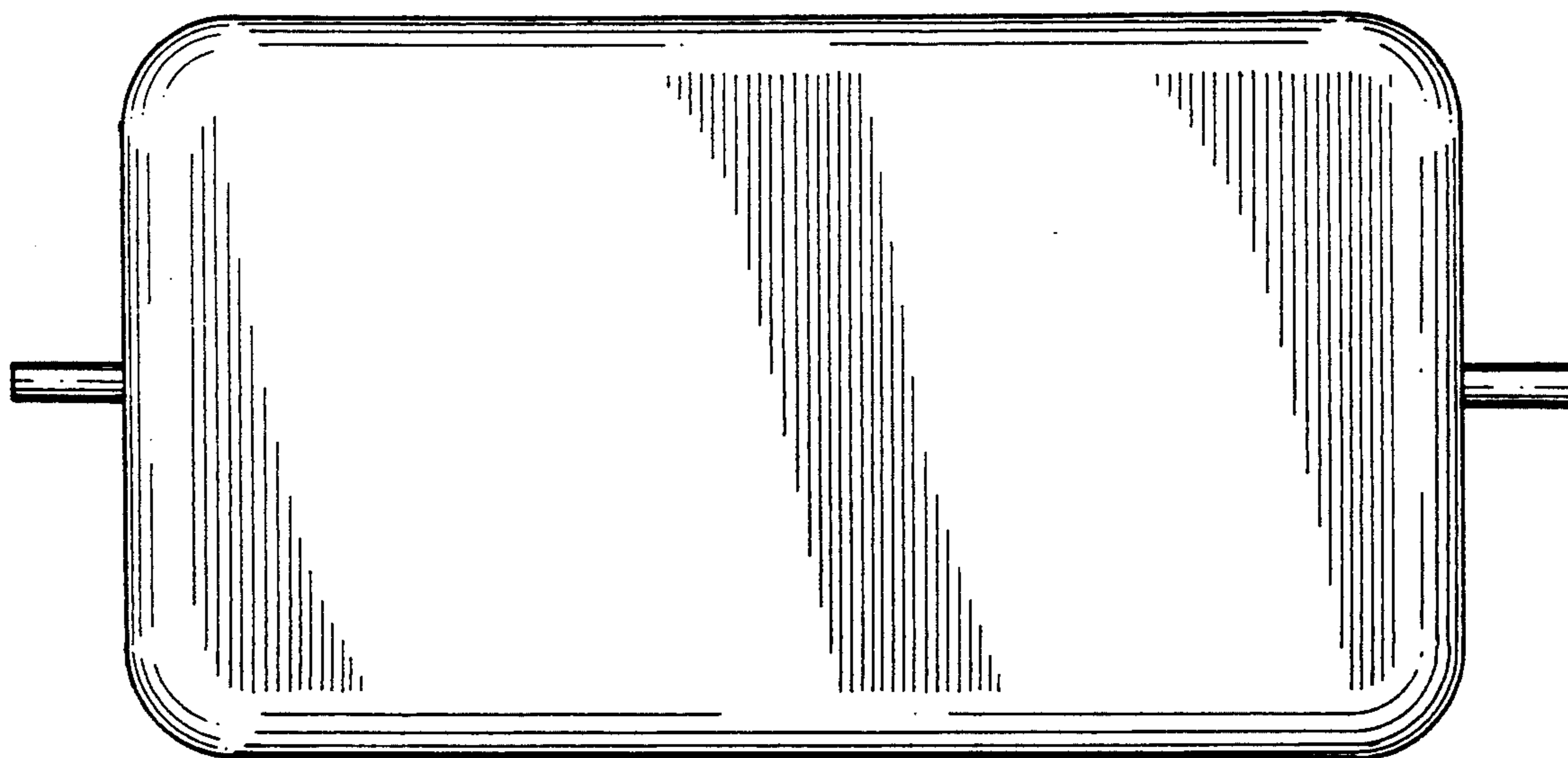
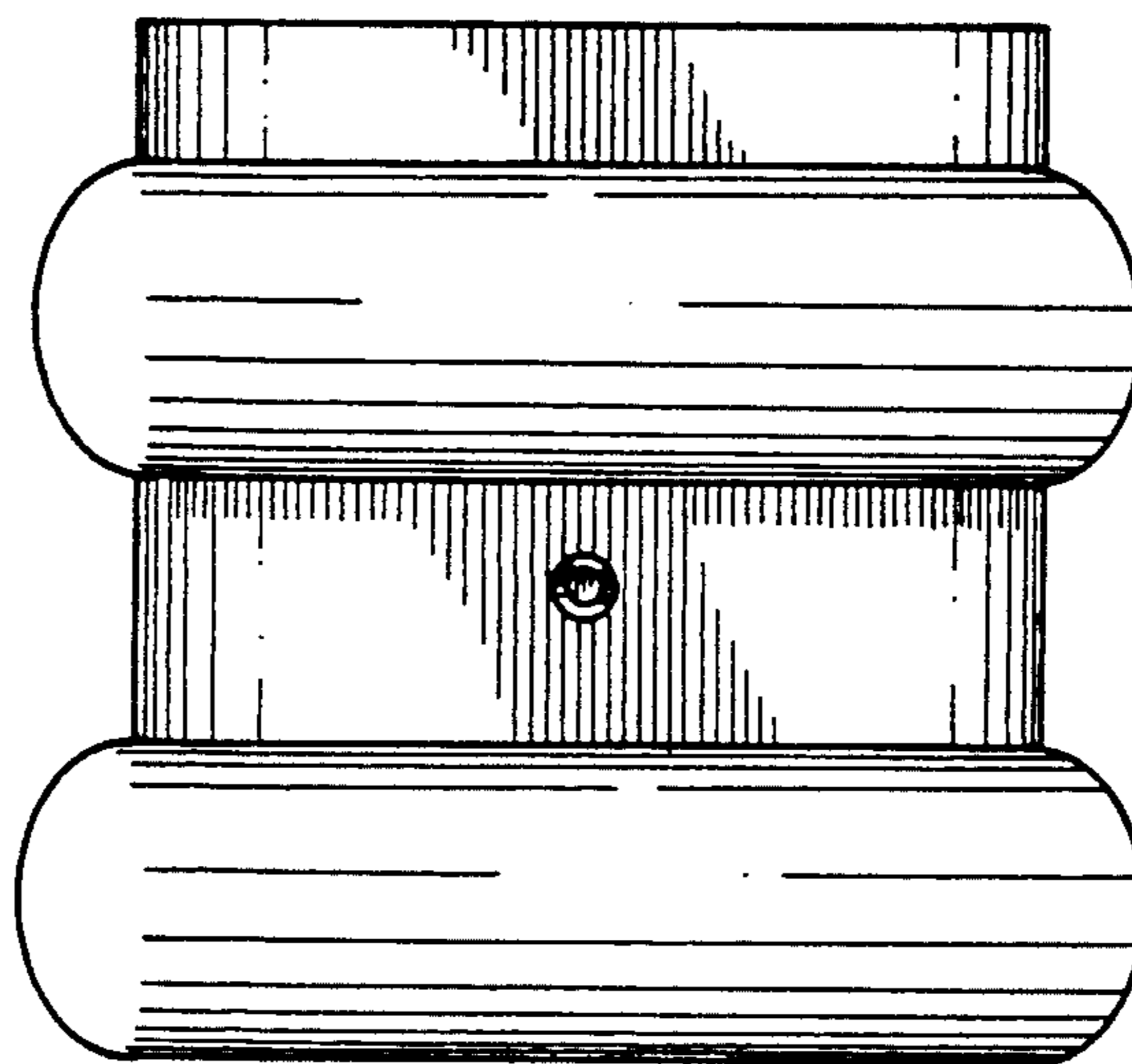


FIG. 5.