



US00D341052S

United States Patent [19]

[11] Patent Number: **Des. 341,052**

Fogel

[45] Date of Patent: **** Nov. 9, 1993**

[54] CUSHION-LIKE MATTRESS COVERLET

[76] Inventor: **Isaac Fogel**, 8214 Wellmoor Ct., Jessup, Md. 20794

[**] Term: **14 Years**

[21] Appl. No.: **569,162**

[22] Filed: **Aug. 17, 1990**

[52] U.S. Cl. **D6/596**

[58] Field of Search **D6/596; 5/903, 470, 5/471; D12/316**

[56] **References Cited**

U.S. PATENT DOCUMENTS

3,287,749	11/1966	Marsico	5/470
3,837,020	9/1974	Bosch	5/903
4,317,244	3/1982	Balfour-Richie	5/470
4,388,738	6/1983	Wagner	5/470

Primary Examiner—Wallace R. Burke

Assistant Examiner—Lisa Lichtenstein
Attorney, Agent, or Firm—Finnegan, Henderson, Farabow, Garrett & Dunner

[57] **CLAIM**

The ornamental design for a cushion-like mattress coverlet, as shown and described.

DESCRIPTION

FIG. 1 is an side, top and end perspective view of a cushion-like mattress coverlet showing my new design, the side not shown being identical to that shown and the end not shown also being identical to that shown; FIG. 2 is a cross-sectional view thereof taken along line 2—2 in FIG. 1.

The bottom of the coverlet is plain and unornamented. The characteristic feature of my design is the continuous band of ribbing around the ends and sides of the coverlet at a location intermediate between the top and bottom and closer to the top than to the bottom of the coverlet.

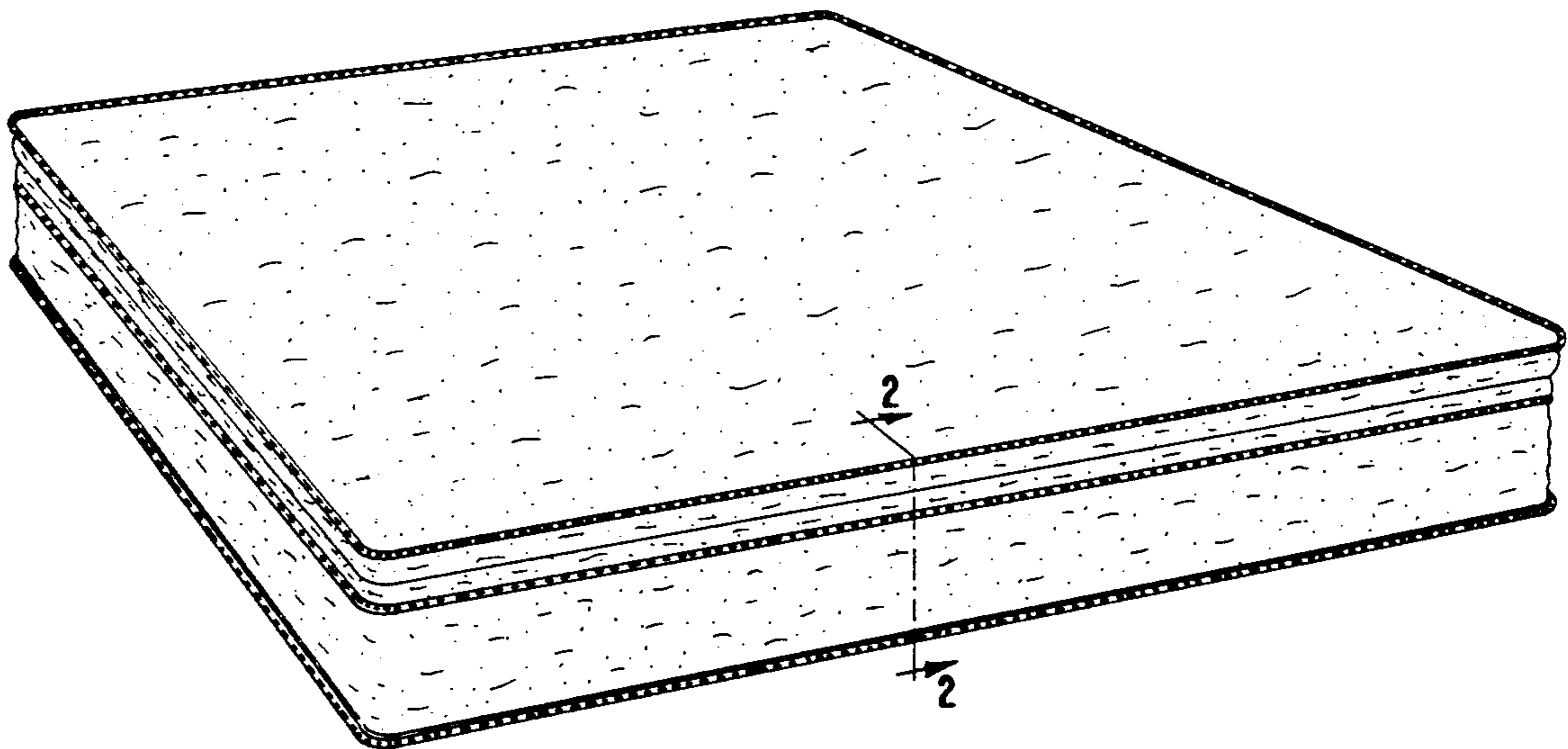


FIG. 1

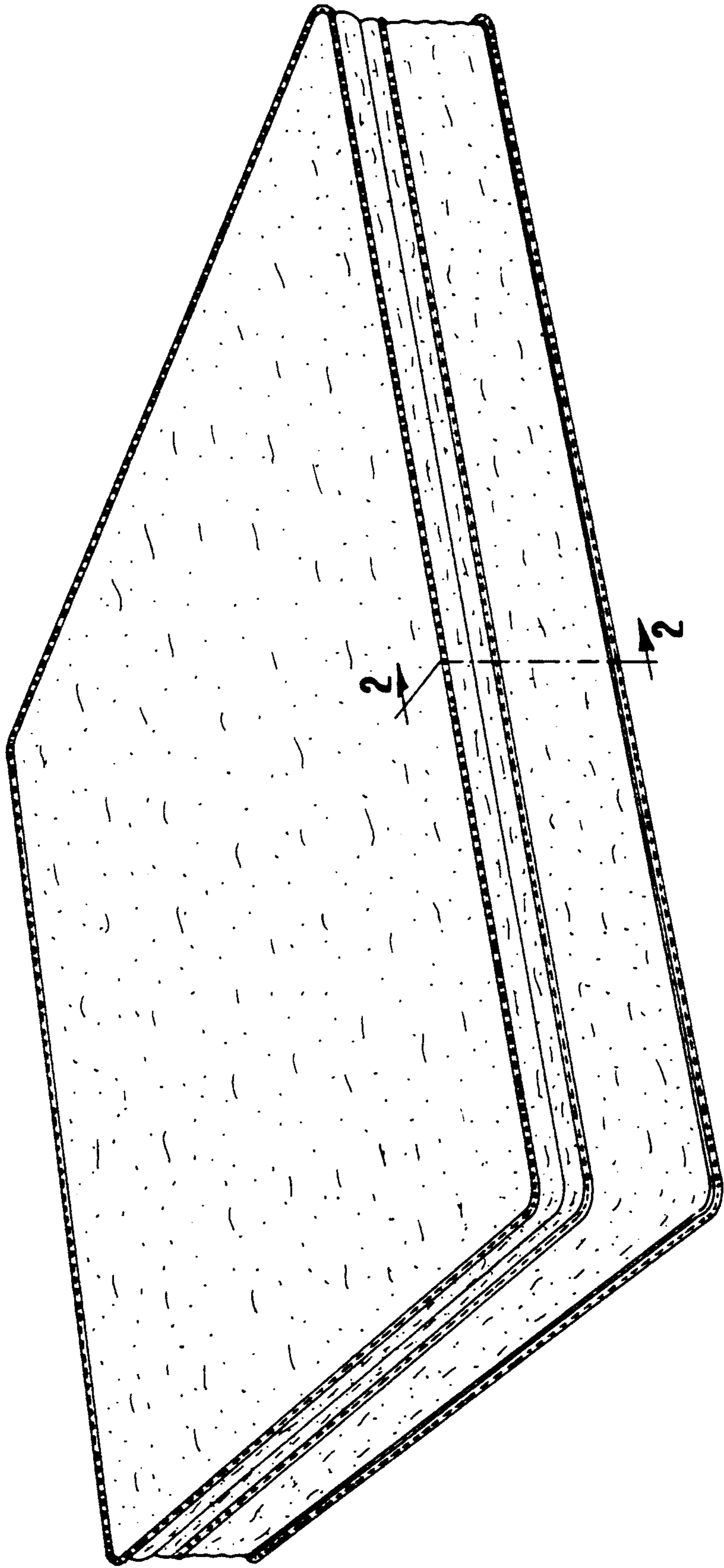


FIG. 2

