



US00D341050S

United States Patent [19]

Waffensmith

[11] Patent Number: **Des. 341,050**

[45] Date of Patent: **** Nov. 9, 1993**

[54] **TOOTHPASTE TUBE SQUEEZER**

[76] Inventor: **Ralph A. Waffensmith**, 3543
Columbia Dr., Longmont, Colo.
80501

[**] Term: **14 Years**

[21] Appl. No.: **827,802**

[22] Filed: **Jan. 28, 1992**

[52] U.S. Cl. **D6/541**

[58] Field of Search **D6/541; 206/277;**
222/95-96, 99, 98, 101, 103

[56] **References Cited**

U.S. PATENT DOCUMENTS

D. 292,071	9/1987	Weir	D6/541	X
1,894,152	1/1933	Bolz	D6/541	X
2,515,711	7/1950	Holloway et al.	D6/541	X
5,071,036	12/1991	Kelly et al.	222/103	

Primary Examiner—Brian N. Vinson

[57] **CLAIM**

The ornamental design for a toothpaste tube squeezer, as shown and described.

DESCRIPTION

FIG. 1 is a perspective view of a toothpaste tube squeezer embodying the present design;
 FIG. 2 is a top plan view of the toothpaste tube squeezer shown in FIG. 1;
 FIG. 3 is a front elevation view of the toothpaste tube squeezer shown in FIG. 1;
 FIG. 4 is a bottom plan view of the toothpaste tube squeezer shown in FIG. 1;
 FIG. 5 is a left elevation of the toothpaste tube squeezer shown in FIG. 1; and,
 FIG. 6 is a right elevation of the toothpaste tube squeezer shown in FIG. 1.
 The rear elevation view of the toothpaste tube squeezer of FIG. 1 is a mirror image of the front elevation view of FIG. 3.

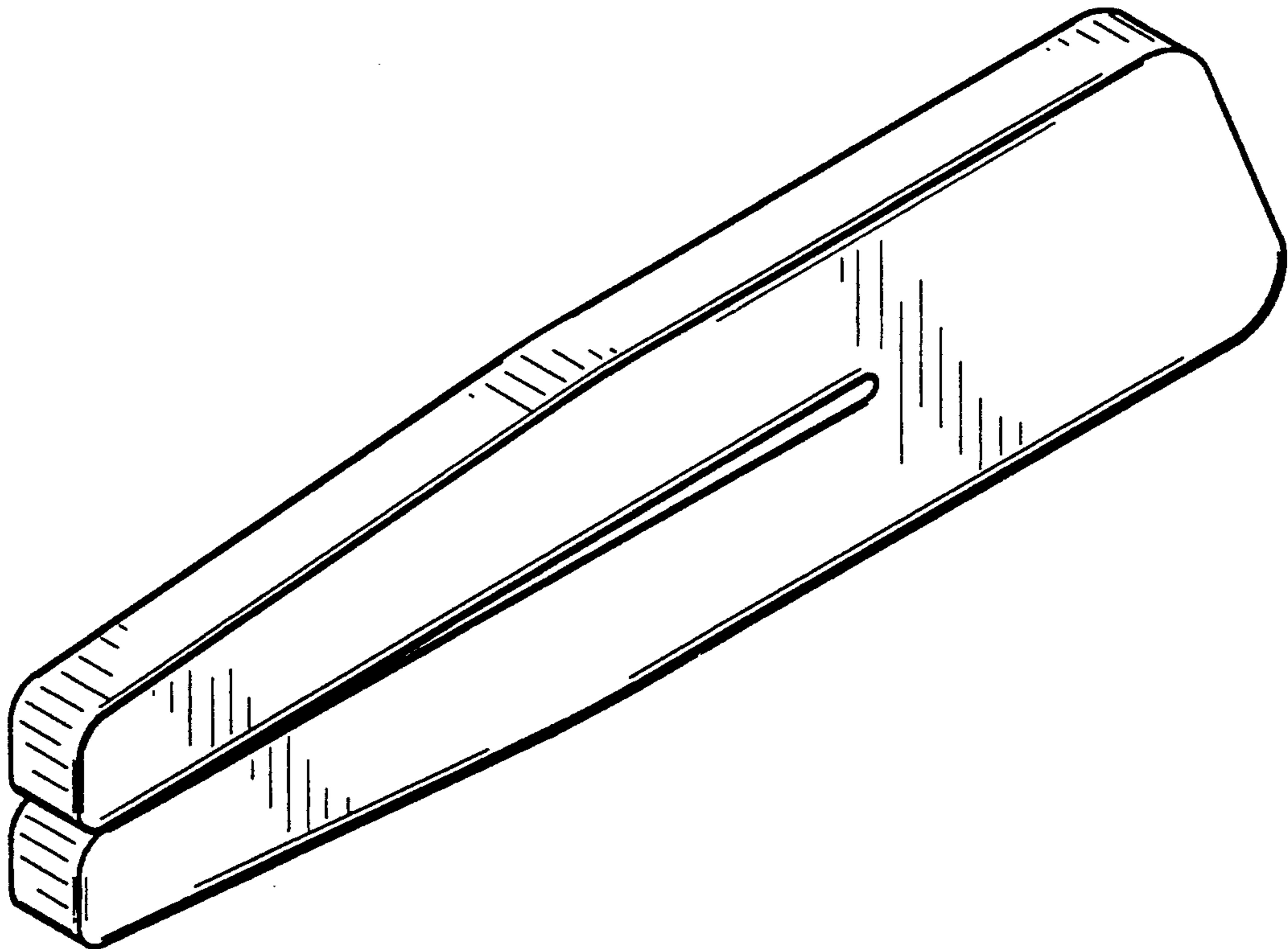




FIG.2



FIG.5

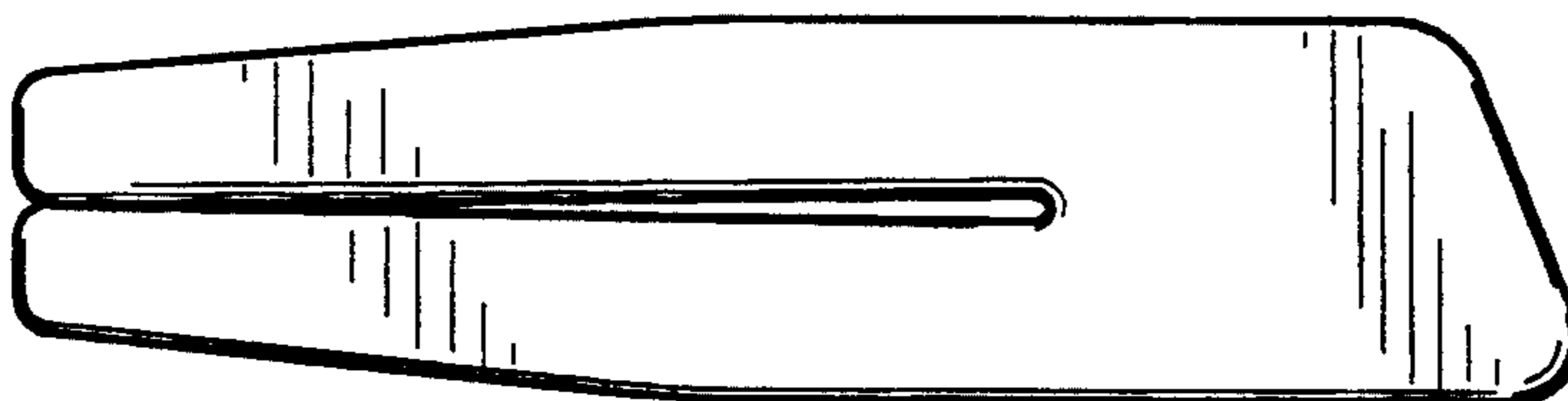


FIG.3



FIG.6



FIG.4

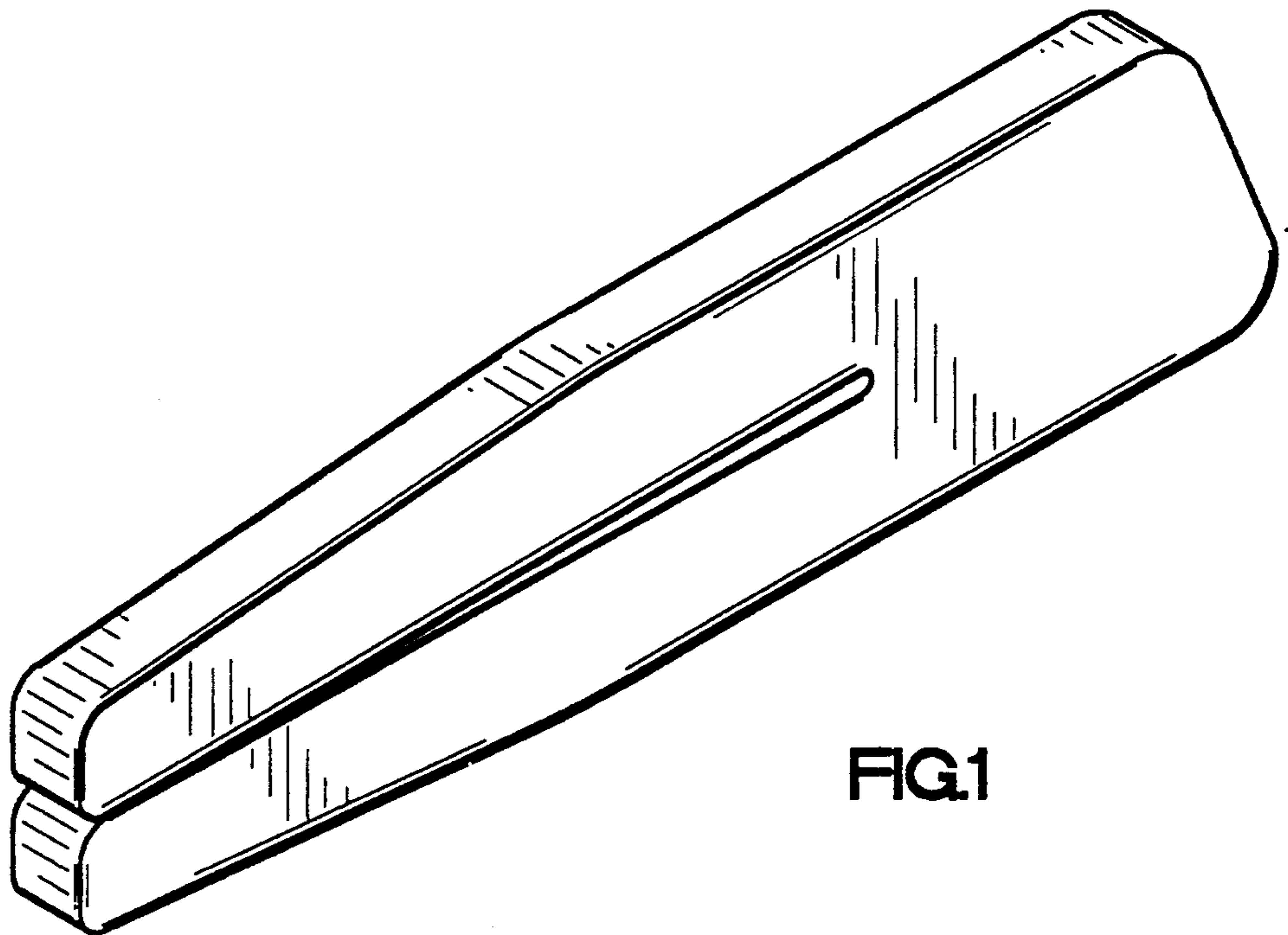


FIG.1