



US00D341049S

United States Patent [19]

[11] Patent Number: **Des. 341,049**

Hugh

[45] Date of Patent: **** Nov. 9, 1993**

[54] **MAGNETIC SOAP HOLDER**

[76] Inventor: **Christopher I. R. Hugh, P.O. Box 2013, La Jolla, Calif. 92038**

[**] Term: **14 Years**

[21] Appl. No.: **812,371**

[22] Filed: **Dec. 23, 1991**

[52] U.S. Cl. **D6/538**

[58] Field of Search **D6/536-540;**
 206/77.1, 350; 211/DIG. 1; 335/285;
 248/206.5, 309.4

2,825,177 3/1958 Nordlof et al. 248/309.4
 3,552,705 1/1971 Caster 248/309.4

FOREIGN PATENT DOCUMENTS

1550652 12/1968 France 248/309.4
 760398 10/1956 United Kingdom 248/309.4

Primary Examiner—Brian N. Vinson

[57] CLAIM

The ornamental design for a magnetic soap holder, as shown and described.

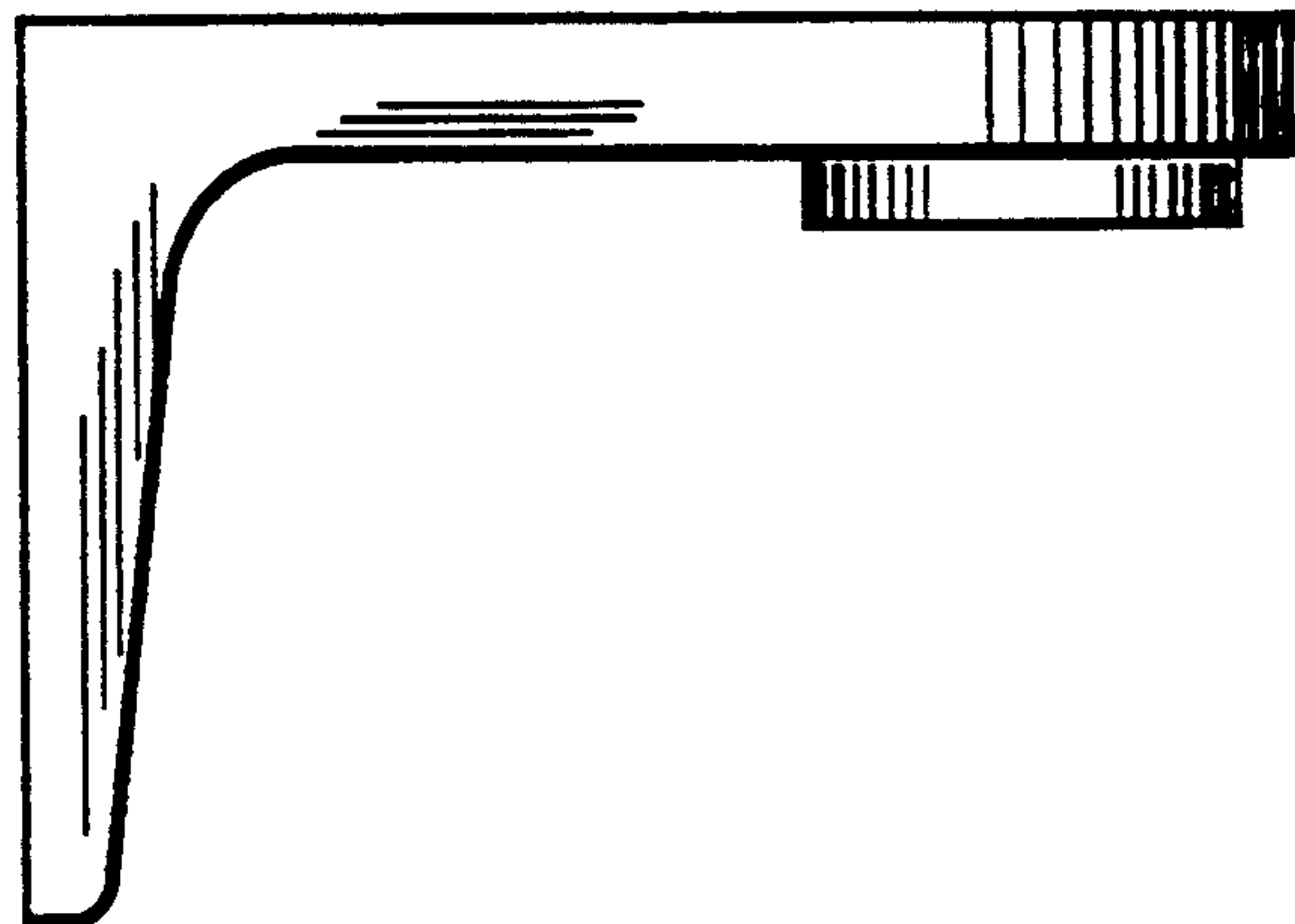
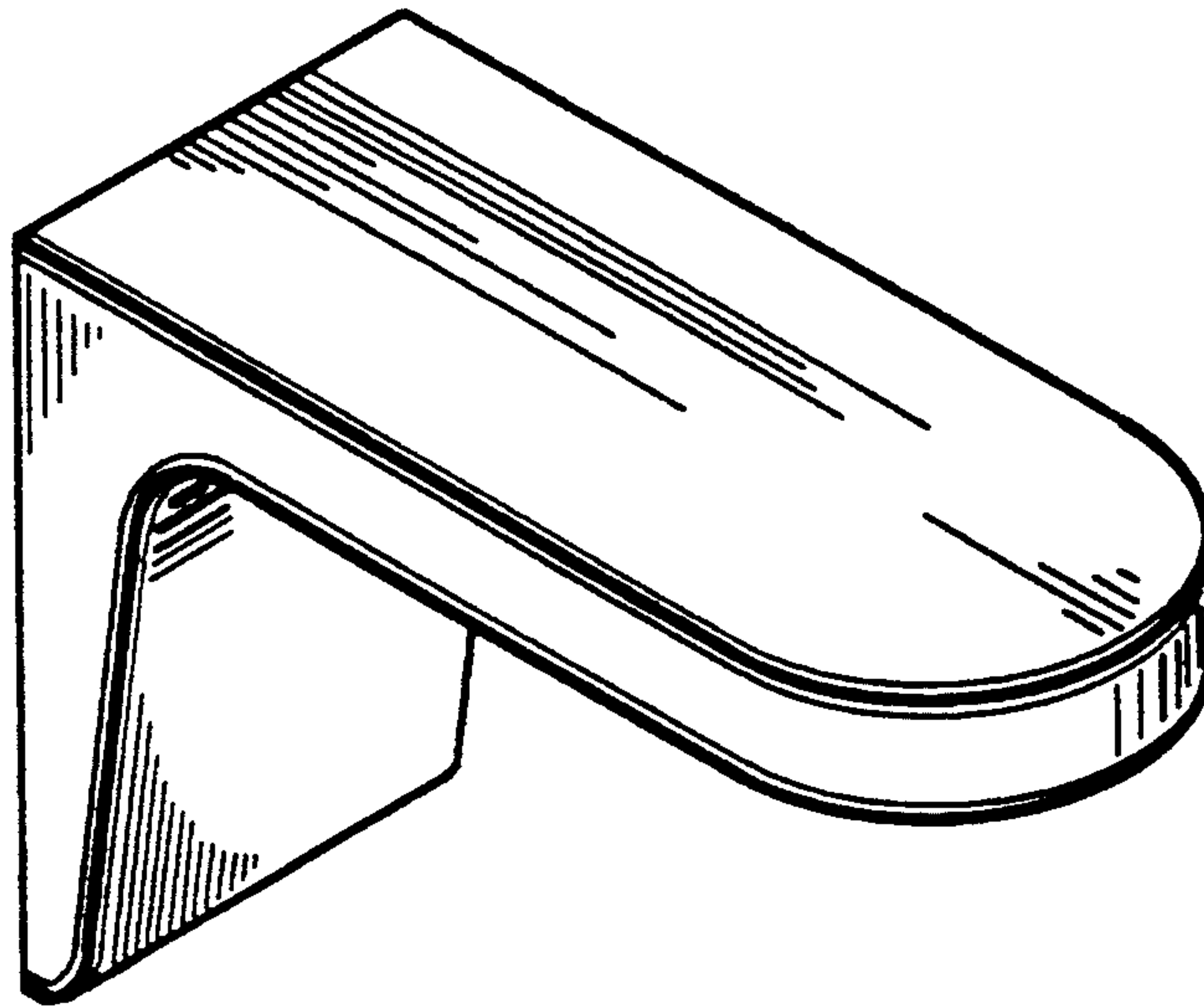
DESCRIPTION

FIG. 1 is a perspective view of a magnetic soap holder, showing my new design;
 FIG. 2 is a side elevational view thereof, the opposite side being a mirror image;
 FIG. 3 is a front elevational view thereof;
 FIG. 4 is a top plan view thereof;
 FIG. 5 is a rear elevational view thereof; and,
 FIG. 6 is a bottom plan view thereof.

[56] **References Cited**

U.S. PATENT DOCUMENTS

D. 217,164	4/1970	Jarema	D6/538
D. 223,501	4/1972	Hamburg	D6/538
D. 253,148	10/1979	Heckler	D6/538
D. 277,820	3/1985	Maayeh	D6/538
2,597,925	5/1952	Edger	248/309.4



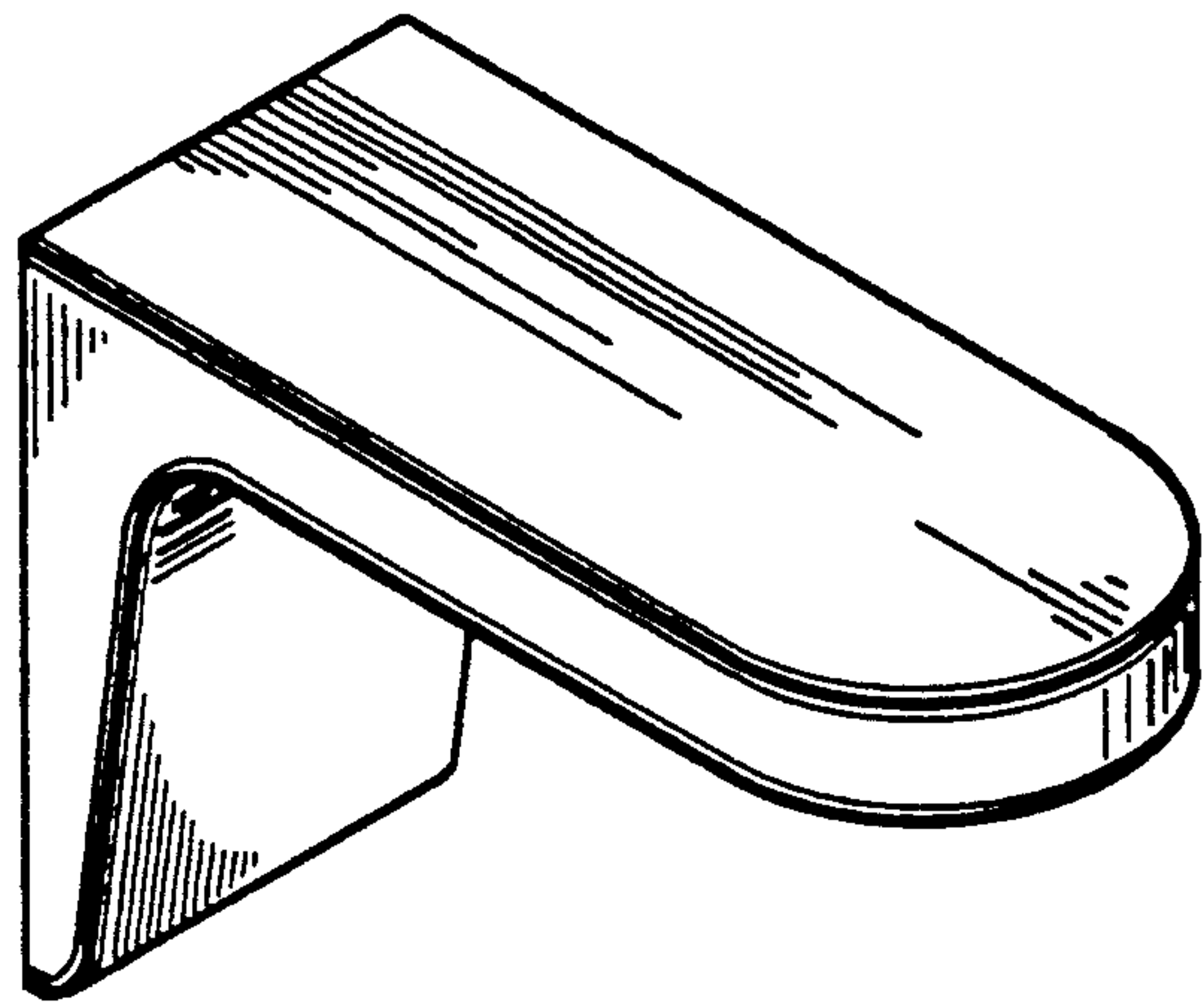


FIG. 1

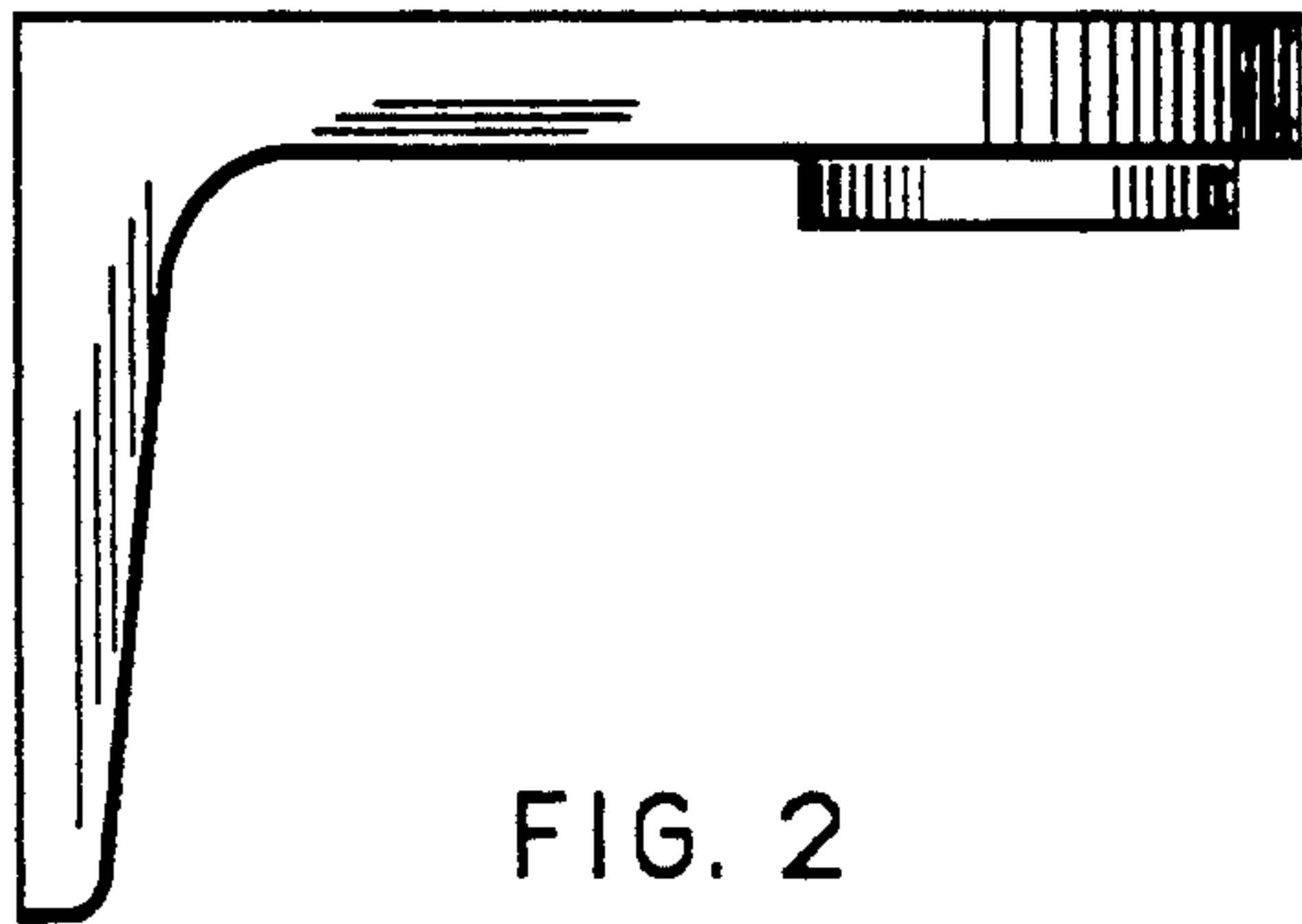


FIG. 2

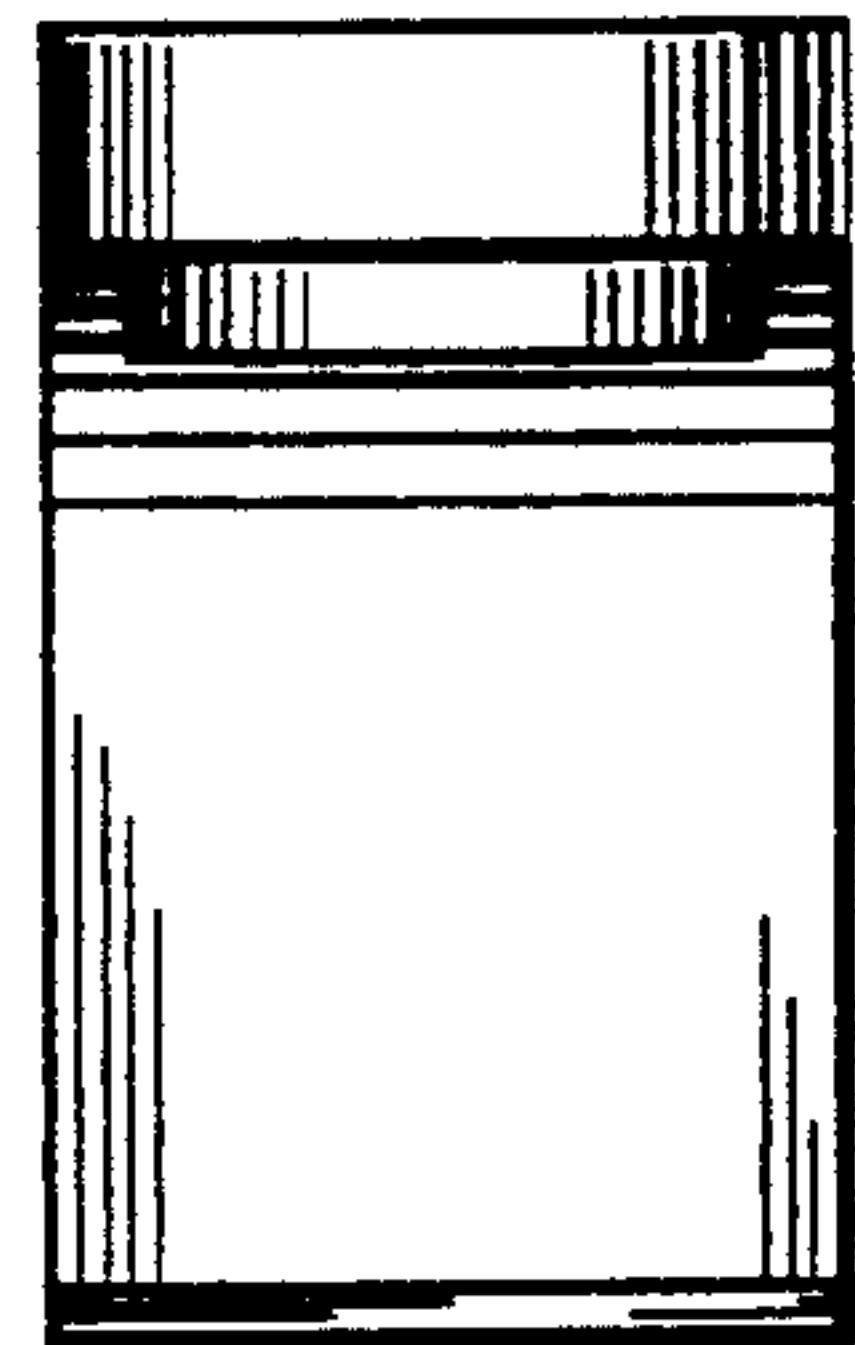


FIG. 3

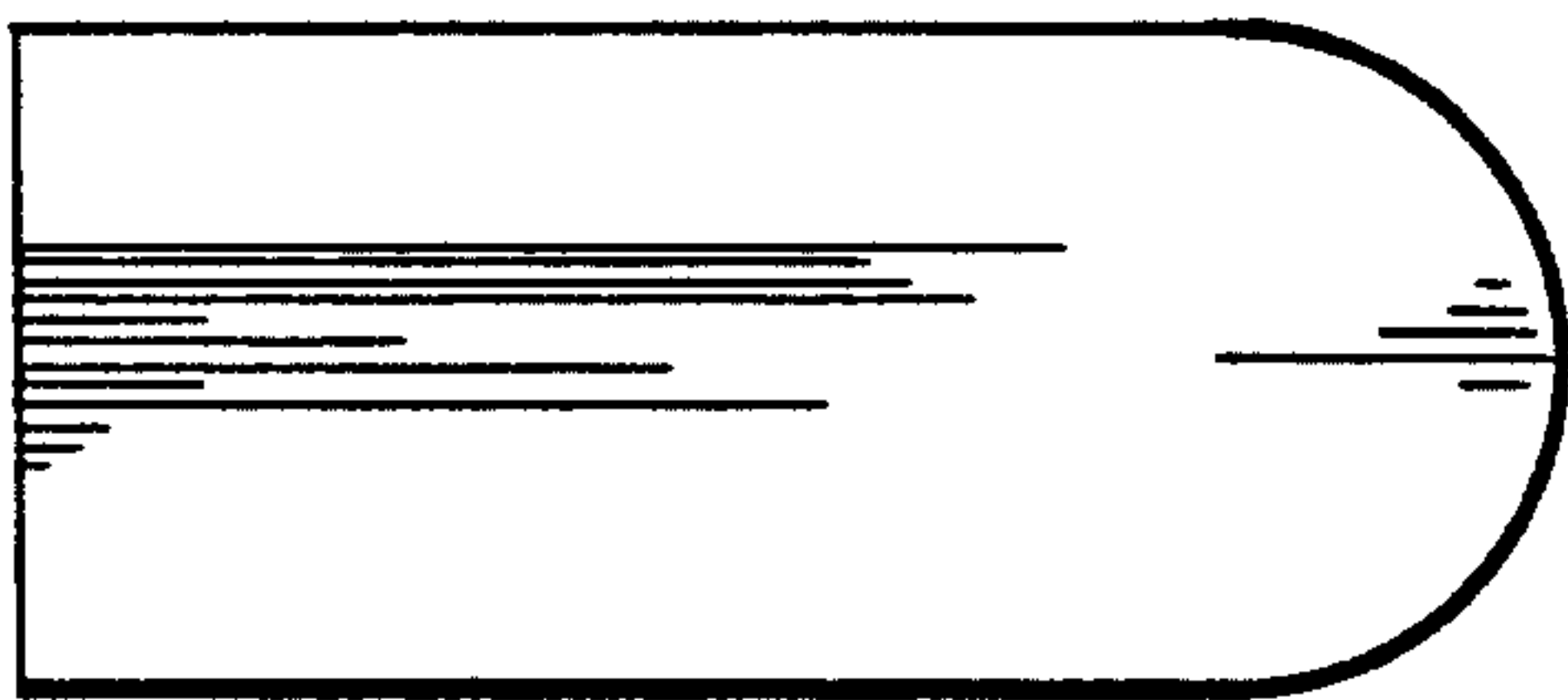


FIG. 4



FIG. 5

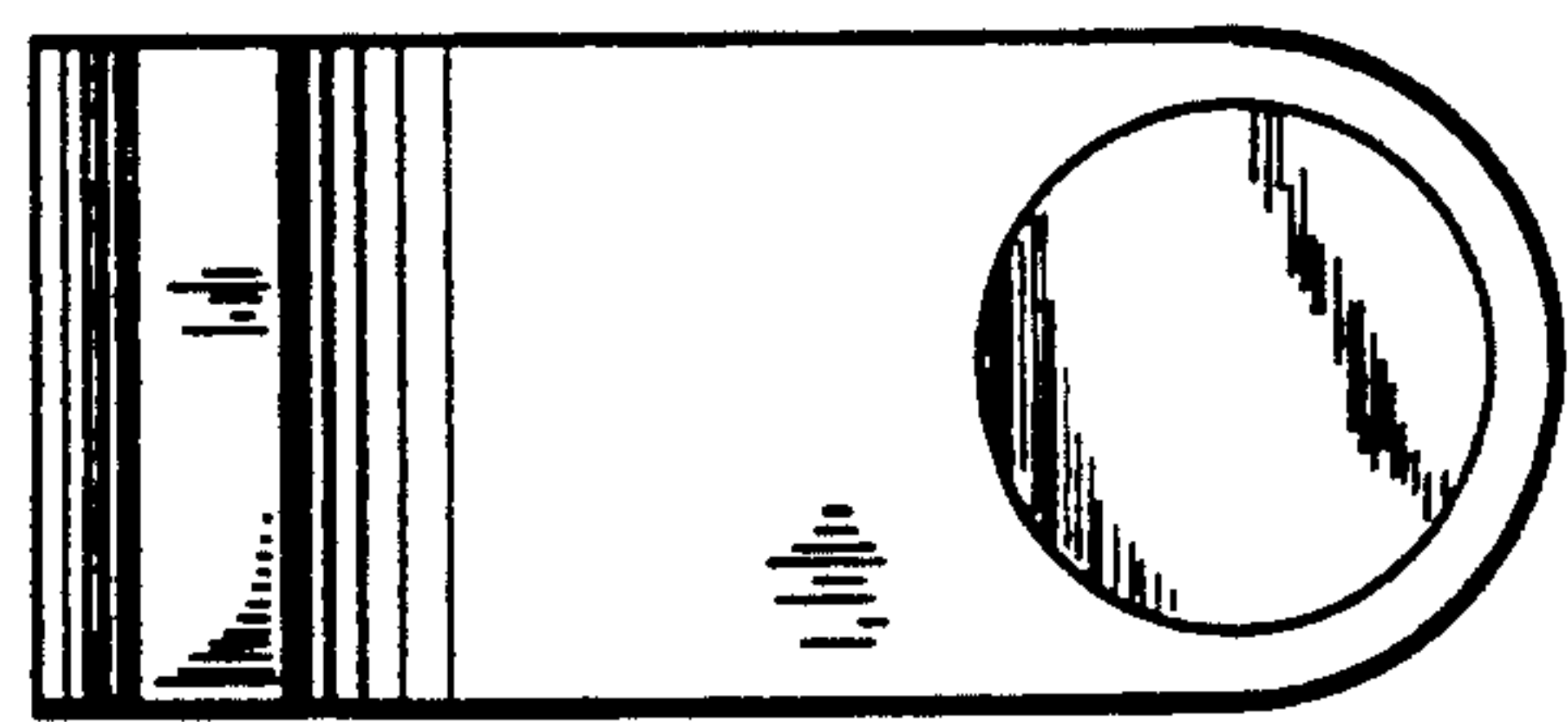


FIG. 6