



US00D341043S

# United States Patent [19]

[11] Patent Number: **Des. 341,043**

Pesso

[45] Date of Patent: **\*\* Nov. 9, 1993**

[54] TABLE

[75] Inventor: **David A. Pesso**, Hartford, Conn.

[73] Assignee: **The Worden Company**, Holland, Mich.

[\*\*] Term: **14 Years**

[21] Appl. No.: **802,471**

[22] Filed: **Dec. 5, 1991**

[52] U.S. Cl. .... **D6/484; D6/485**

[58] Field of Search ..... **D6/480-489, D6/495, 498, 499; 108/161**

[56] **References Cited**

**U.S. PATENT DOCUMENTS**

- D. 101,223 9/1936 Jiranek ..... D6/480 X
- D. 233,293 10/1974 Rosen ..... D6/484
- D. 233,971 12/1974 Hodges et al. .... D6/480 X
- D. 260,836 9/1981 de Polo et al. .... D6/484
- D. 270,217 8/1983 Daventry ..... D6/480
- D. 286,836 11/1986 Ginouves ..... D6/484

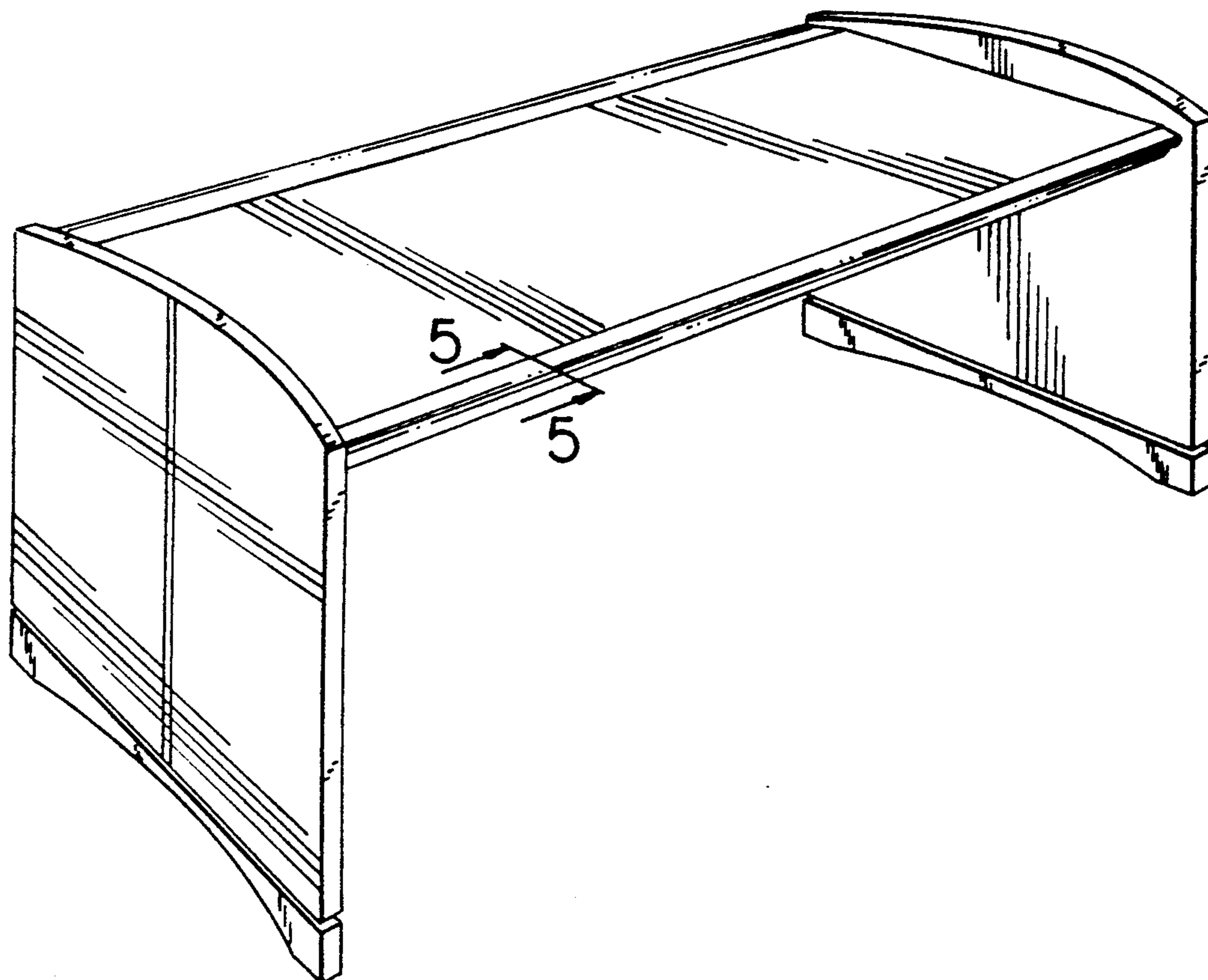
*Primary Examiner*—Nelson C. Holtje  
*Assistant Examiner*—J. E. Seeger  
*Attorney, Agent, or Firm*—Barnes, Kisselle, Raisch, Choate, Whittemore & Hulbert

[57] **CLAIM**

The ornamental design for a table, as shown and described.

**DESCRIPTION**

FIG. 1 is a perspective view showing my new design of table;  
FIG. 2 is a top plan view of the table shown in FIG. 1;  
FIG. 3 is a front elevational view of the table shown in FIGS. 1 and 2, the rear of the table being a mirror image of the front;  
FIG. 4 is an end elevational view of one end of the table shown in FIGS. 1 to 3, the opposite end being the mirror image of the end shown; and,  
FIG. 5 is a cross-sectional view taken along line 5—5 in FIG. 1.



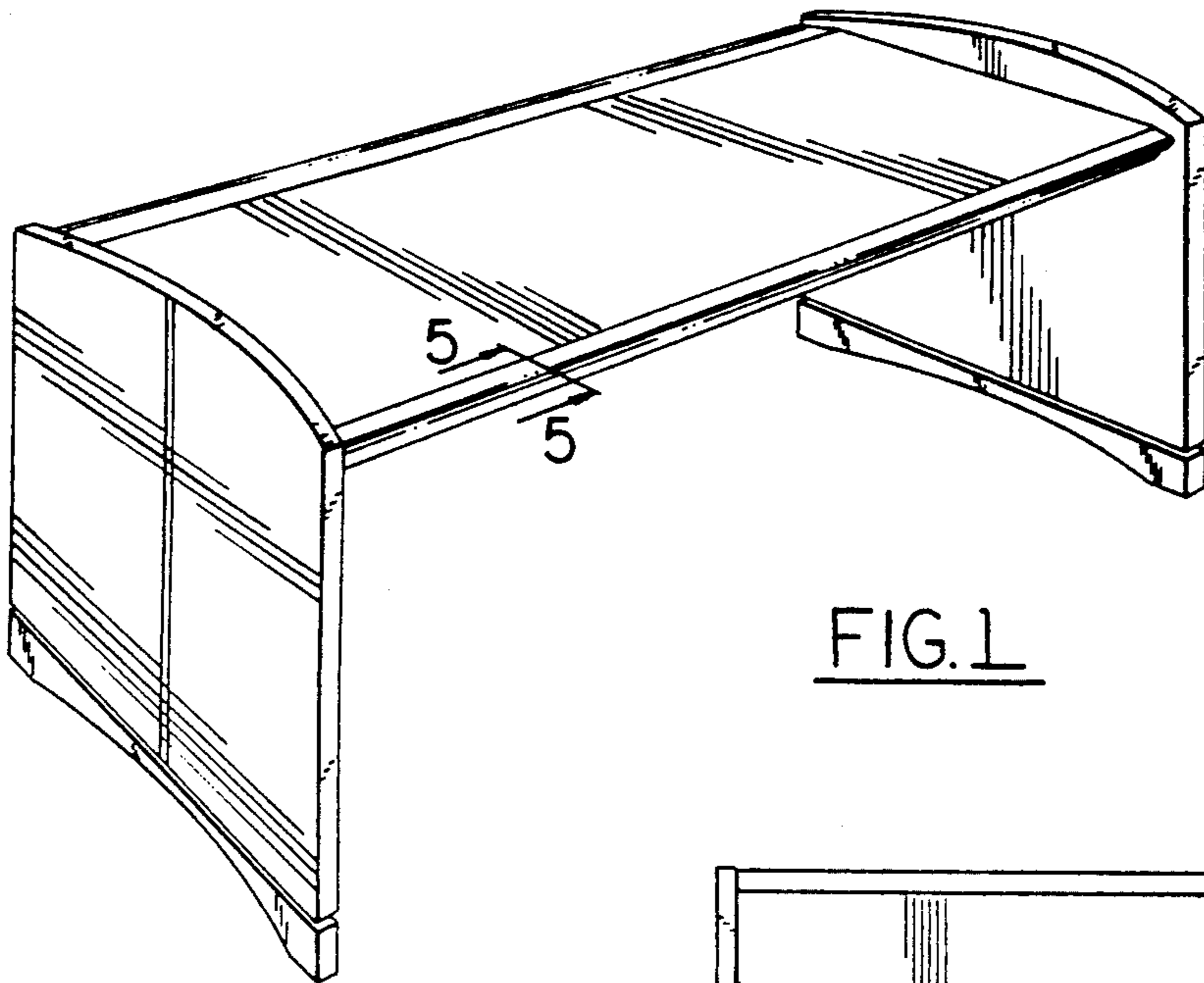


FIG. 1

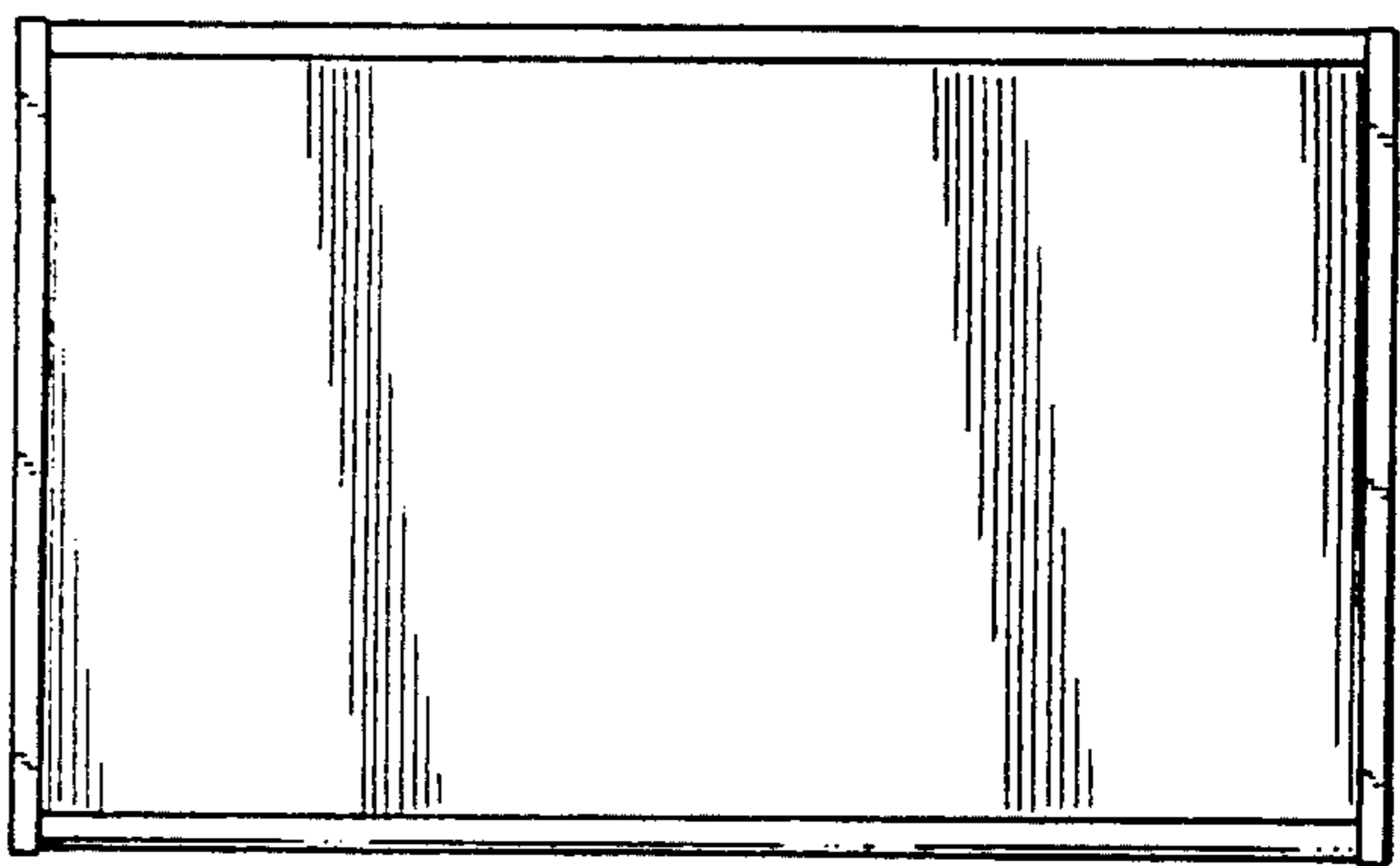


FIG. 2

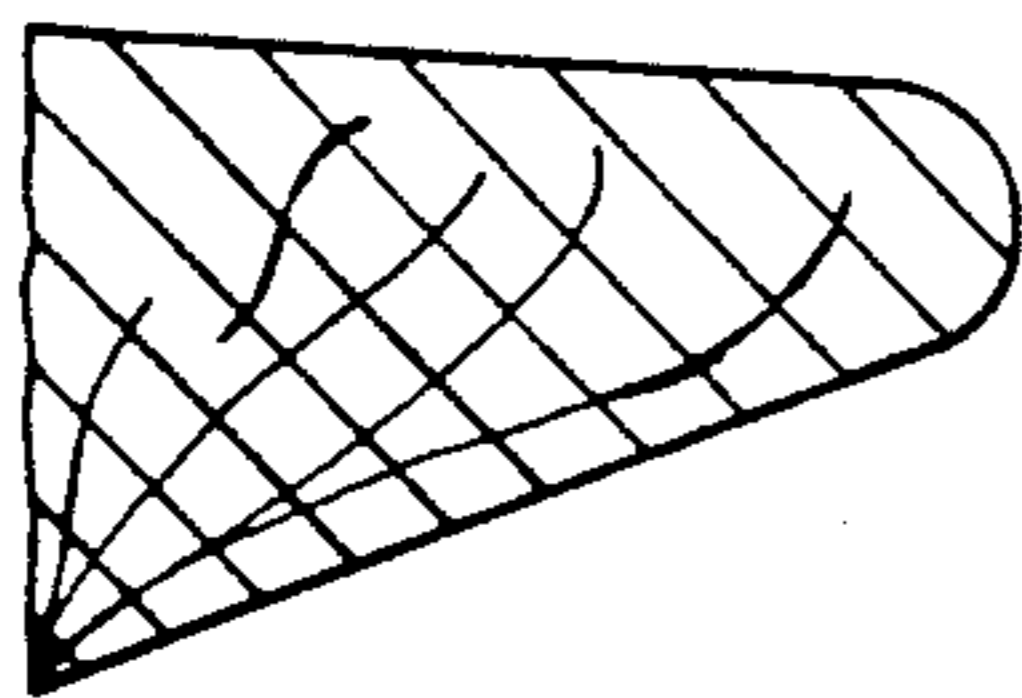


FIG. 5

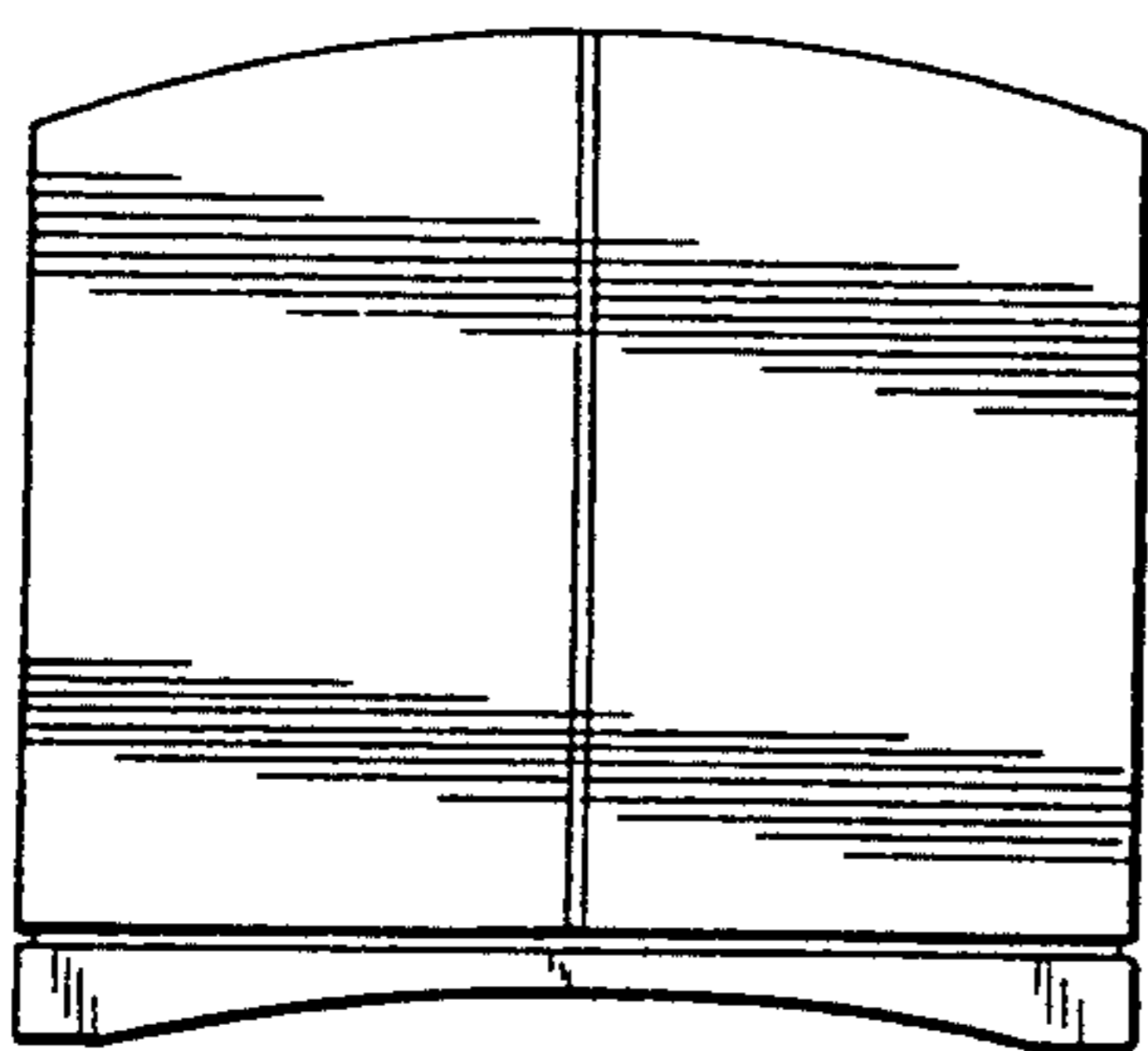


FIG. 4

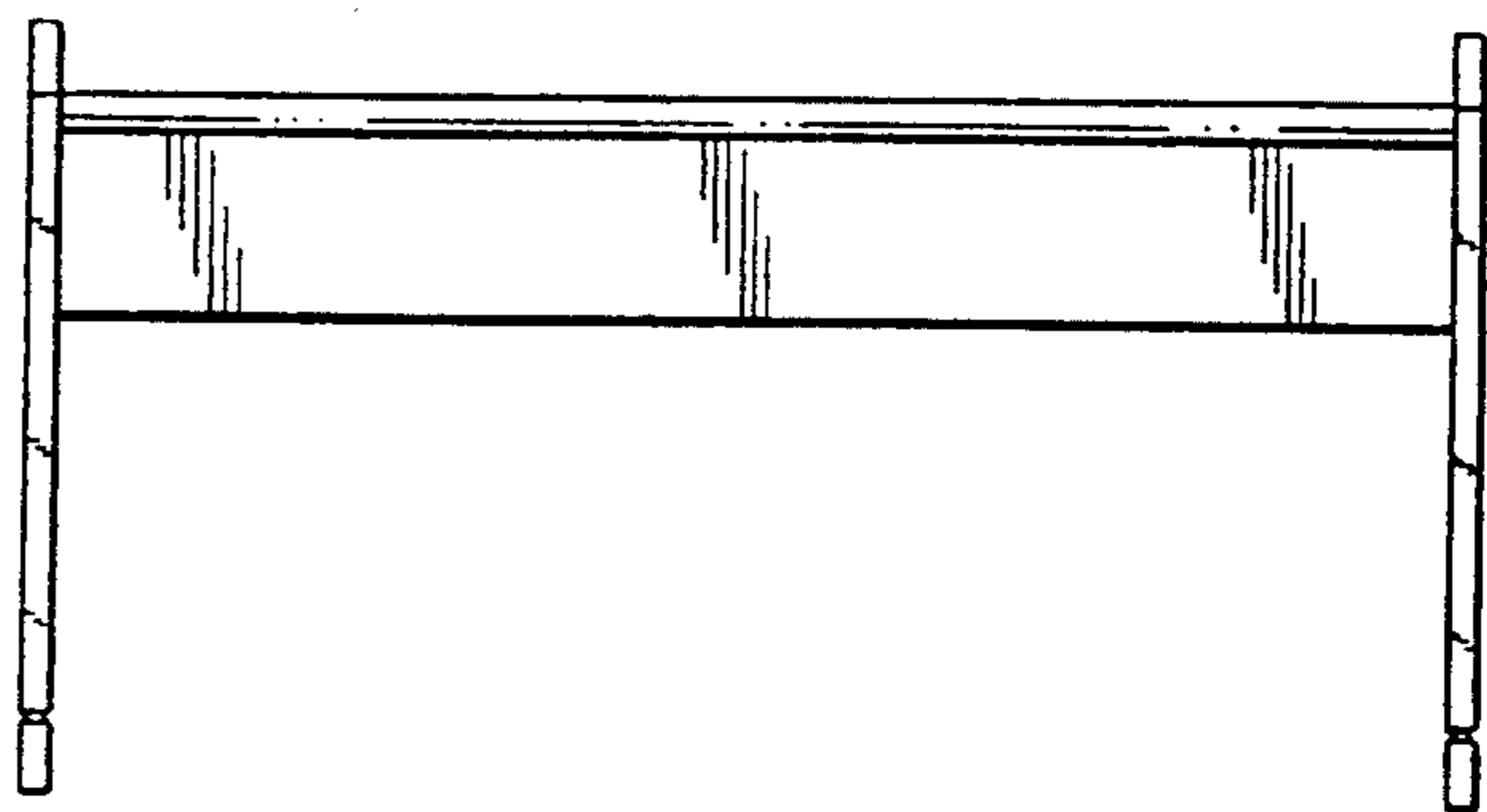


FIG. 3