



US00D341038S

United States Patent [19]

[11] Patent Number: **Des. 341,038**

Danko

[45] Date of Patent: **** Nov. 9, 1993**

[54] CHAIR

4,105,250 8/1978 Caldwell 297/445

[76] Inventor: **Peter J. Danko**, P.O. Box 442,
Accokeek, Md. 20607-0442

Primary Examiner—Alan P. Douglas
Assistant Examiner—Gary D. Watson
Attorney, Agent, or Firm—Adduci, Mastriani,
Schaumberg & Schill

[**] Term: **14 Years**

[21] Appl. No.: **706,727**

[57] **CLAIM**

[22] Filed: **May 29, 1991**

The ornamental design for a chair, as shown and described.

[52] U.S. Cl. **D6/375; D6/380**

[58] Field of Search **D6/334, 370, 374, 375,**
D6/376, 379, 380, 500, 501, 502; 297/445, 446,
460

DESCRIPTION

[56] **References Cited**

U.S. PATENT DOCUMENTS

D. 166,397	4/1952	Komai	D6/375
D. 179,771	2/1957	Johnson	D6/375
D. 181,601	12/1957	Pike	D6/375
D. 198,369	6/1964	Jakobsen et al.	D6/380
D. 205,506	8/1966	Klein et al.	D6/375

FIG. 1 is a perspective view of a chair showing my new design;

FIG. 2 is a front elevational view thereof;

FIG. 3 is a right side elevational view thereof;

FIG. 4 is a rear elevational view thereof;

FIG. 5 is a top plan view thereof; and,

FIG. 6 is a perspective view of an alternative embodiment of my new design in which there is a cutout at the base of the back of the chair and the back of the chair has a shaped top.

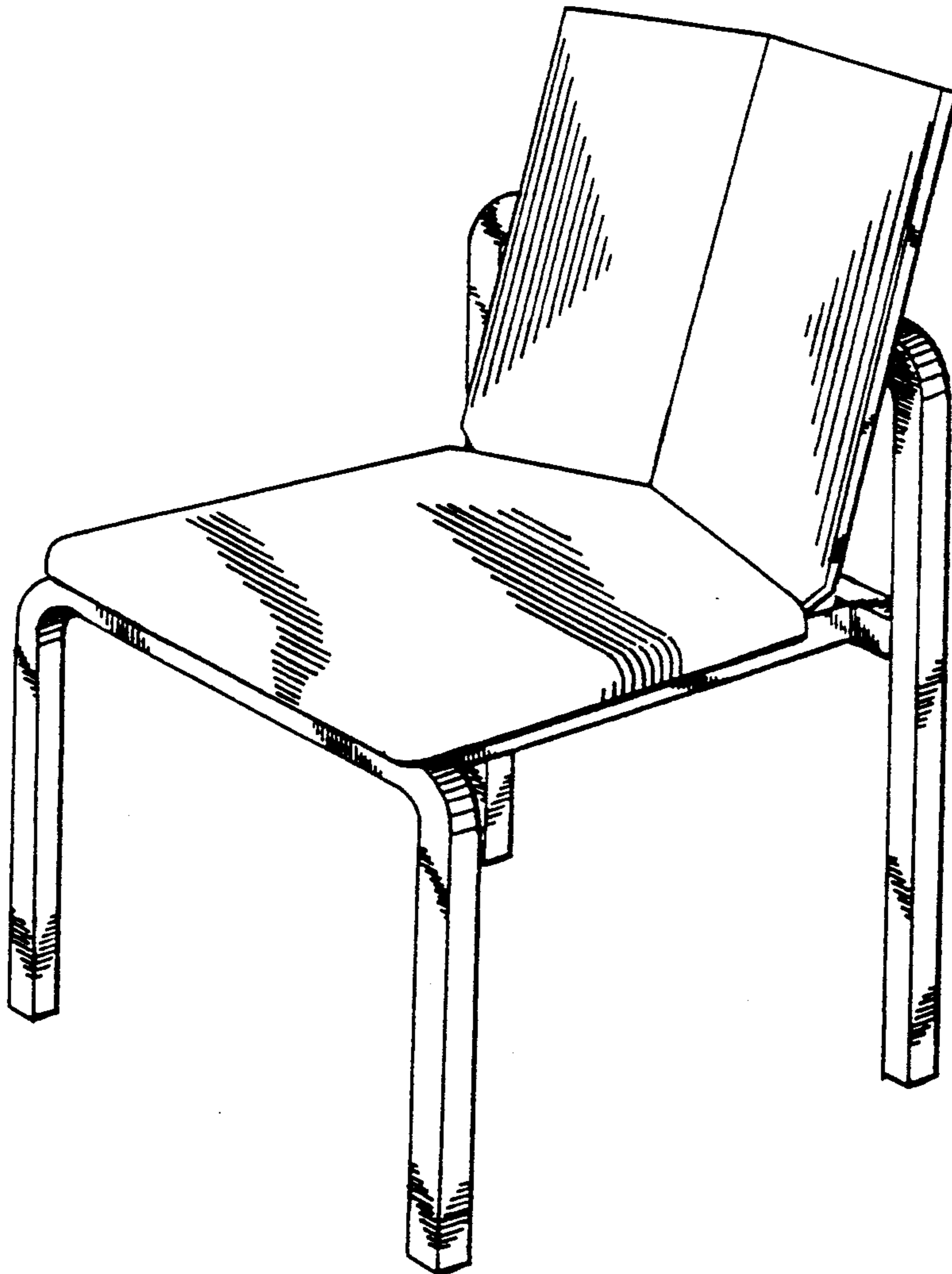


FIG. 1

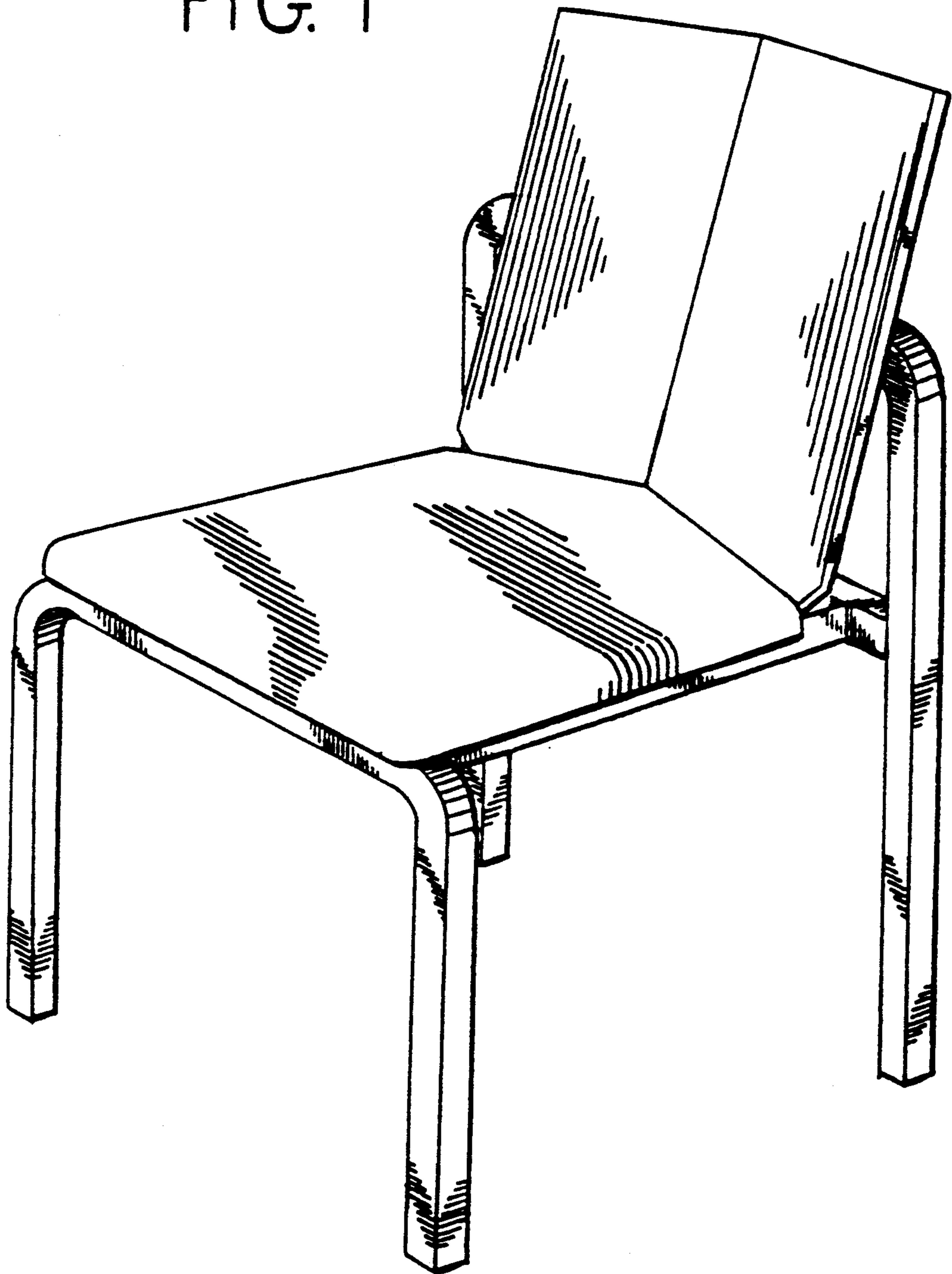


FIG. 2

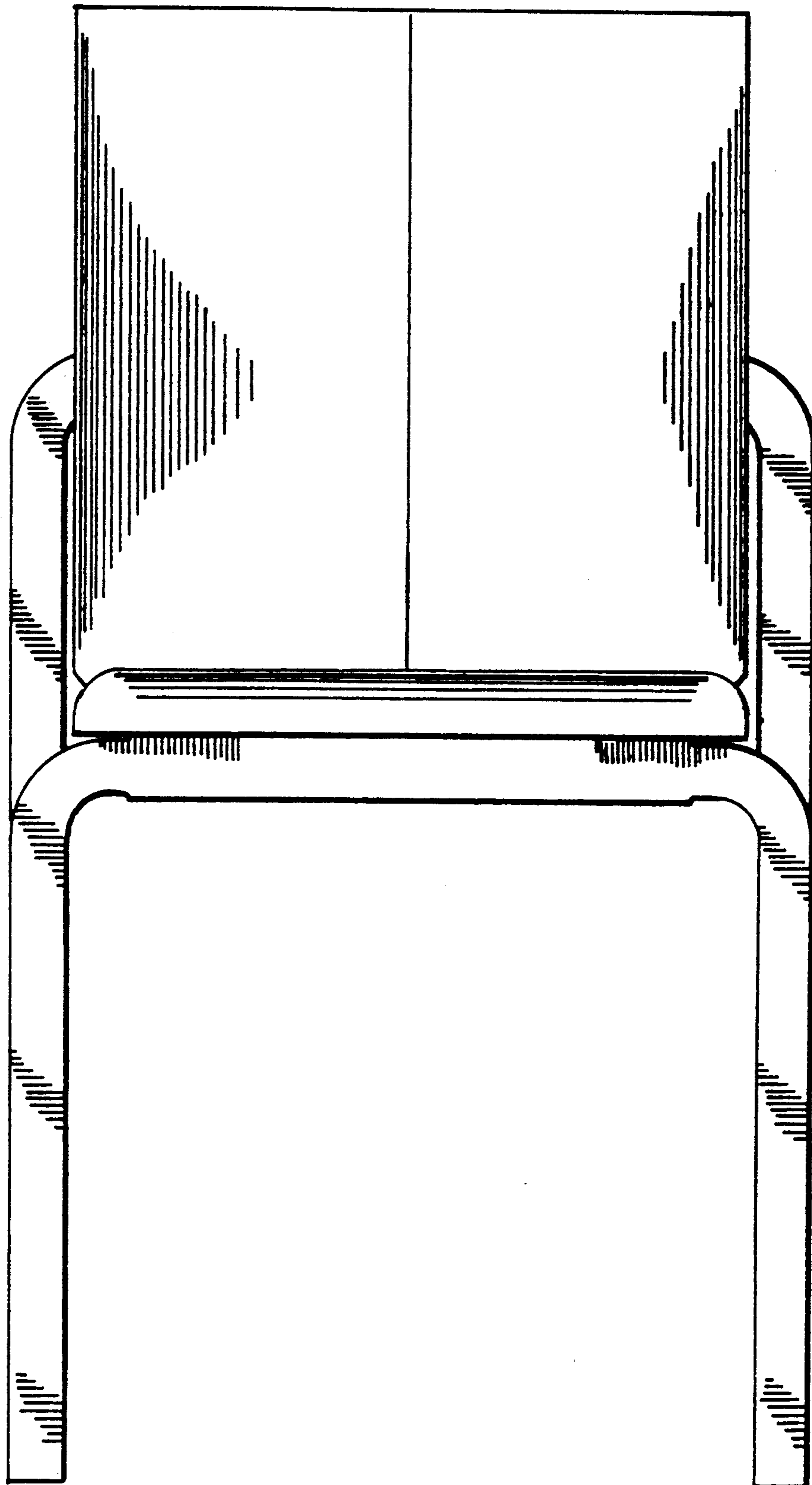


FIG. 3

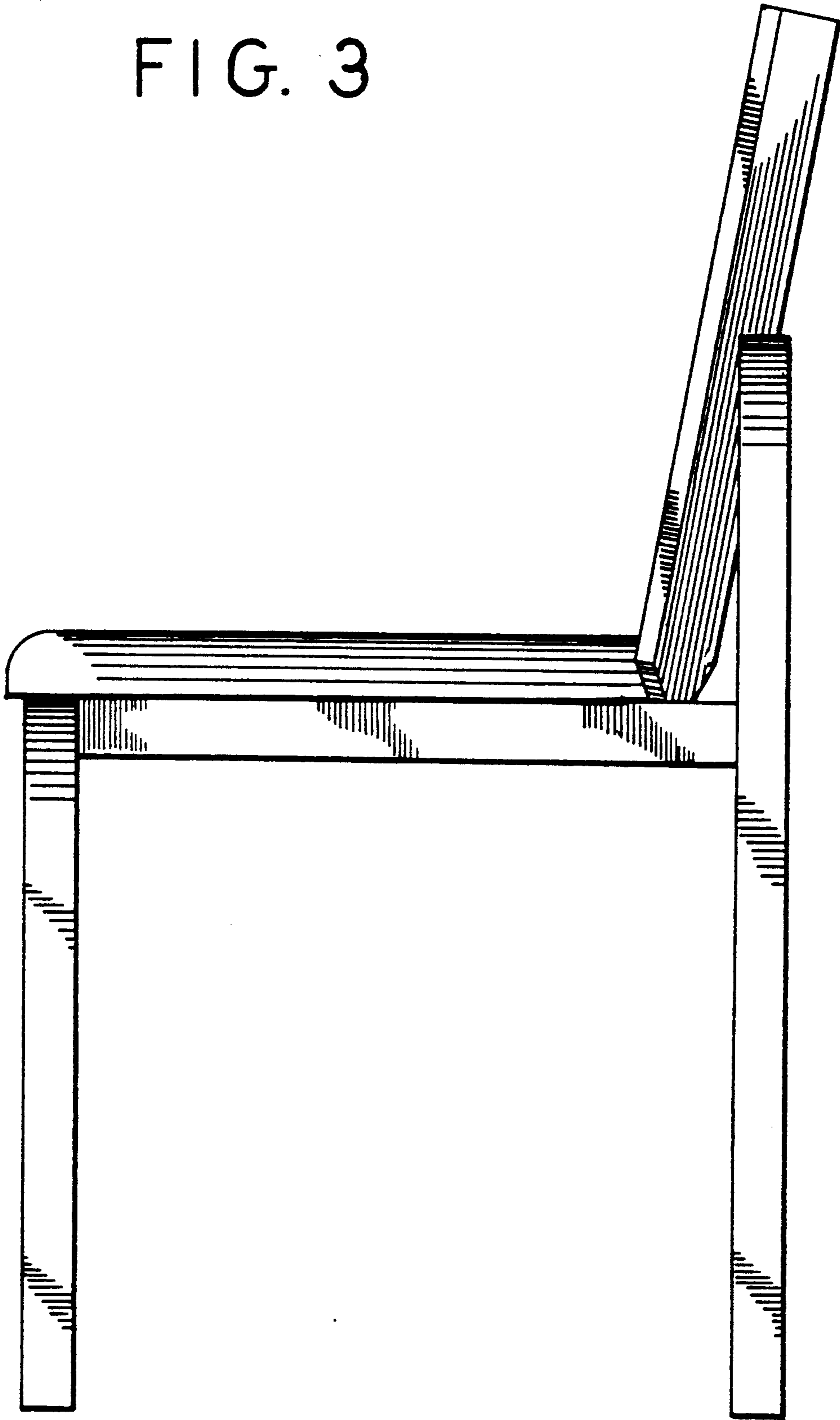


FIG. 4

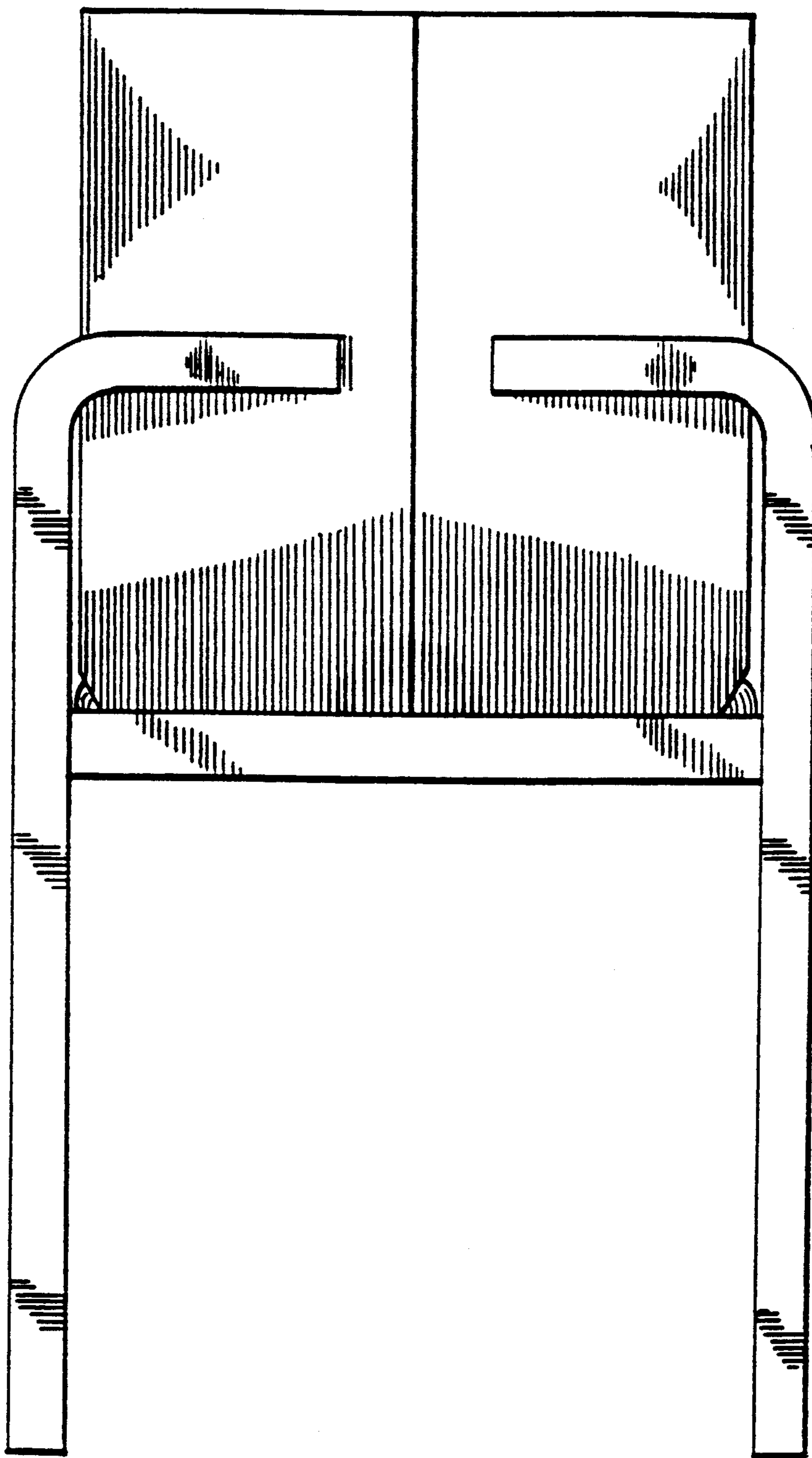


FIG. 5

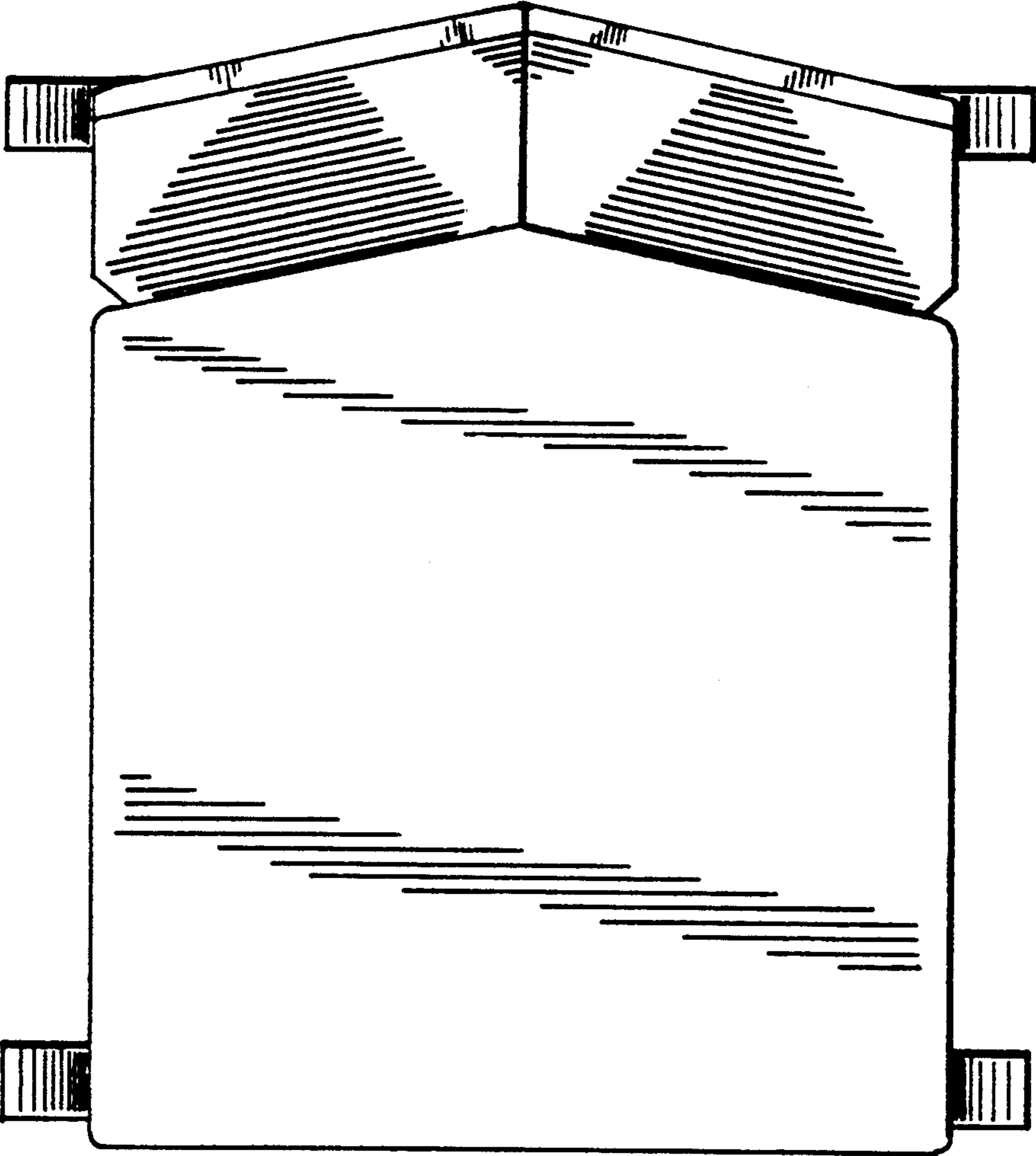


FIG. 6

