



US00D341036S

United States Patent [19]

[11] Patent Number: **Des. 341,036**

Schwartz

[45] Date of Patent: **** Nov. 9, 1993**

[54] **ARM CHAIR**

[75] Inventor: **Larry A. Schwartz, Franklin, N.J.**

[73] Assignee: **Omni Products International, Inc.,
Richmond, Va.**

[**] Term: **14 Years**

[21] Appl. No.: **760,231**

[22] Filed: **Sep. 16, 1991**

[52] U.S. Cl. **D6/370; D6/379**

[58] Field of Search **D6/334, 370, 371, 372,
D6/373, 374, 375, 376, 379, 380, 500, 501, 502;
297/419, 445, 446, 457**

- D. 308,306 6/1990 Dozsa-Farkas .
- D. 311,460 10/1990 Greene .
- D. 313,515 1/1991 Wood .
- D. 320,508 10/1991 Klawitter .

OTHER PUBLICATIONS

Omni's Casual Furniture Catalog, vol. VII, Genesis & Aluminum Collection, 1991, "Marsailles", Regal and Royale arm chairs.

Omni's Casual Furniture Catalog, Genesis Collection, Aluminum Collection, and Promotional Collection 1990: "Mystic", Lancaster, Venus, Classic, Concord, and Athena arm chairs.

Primary Examiner—Alan P. Douglas

Assistant Examiner—Gary D. Watson

Attorney, Agent, or Firm—Lerner, David, Littenberg, Krumholz & Mentlik

[56] **References Cited**

U.S. PATENT DOCUMENTS

- D. 94,089 9/1934 Lucas .
- D. 113,144 1/1939 Meitner .
- D. 113,406 2/1939 Uber .
- D. 141,648 6/1945 Bannister .
- D. 142,458 9/1945 Weill .
- D. 145,678 10/1946 Roth .
- D. 203,109 12/1965 Barecki et al. .
- D. 213,438 3/1969 Koch .
- D. 223,569 5/1972 Grosfillex .
- D. 237,671 11/1975 Grosfillex .
- D. 252,904 9/1979 Springfield .
- D. 252,905 9/1979 Springfield .
- D. 260,950 9/1981 Aulenti .
- D. 262,077 12/1981 Deconinck .
- D. 262,168 12/1981 Lustig .
- D. 277,241 1/1985 Massonet .
- D. 277,917 3/1985 Slakman .
- D. 279,243 6/1985 Vanderminden .
- D. 279,947 8/1985 Ballarini .
- D. 280,474 9/1985 Vanderminden .
- D. 281,941 12/1985 Ambasz .
- D. 288,994 3/1987 Winters .
- D. 289,238 4/1987 Arthur, Jr. .
- D. 289,349 4/1987 Vanderminden .
- D. 289,709 5/1987 Goldman .
- D. 291,391 8/1987 Arthur, Jr. .
- D. 294,436 3/1988 Colby .
- D. 296,848 7/1988 Colby .
- D. 298,787 12/1988 Greene .
- D. 300,587 4/1989 Uredat .
- D. 300,588 4/1989 White .
- D. 308,305 6/1990 Snodgrass .

[57] **CLAIM**

The ornamental design for an arm chair, as shown and described.

DESCRIPTION

FIG. 1 is a front perspective view, looking slightly from above, of an arm chair in accordance with one embodiment showing my new design;

FIG. 2 is a front elevational view;

FIG. 3 is a top plan view;

FIG. 4 is a right side elevational view, the left side being a mirror image thereof;

FIG. 5 is a rear elevational view;

FIG. 6 is a bottom plan view;

FIG. 7 is a front perspective view, looking slightly from above, of an arm chair in accordance with another embodiment showing my new design;

FIG. 8 is a front elevational view;

FIG. 9 is a top plan view;

FIG. 10 is a right side elevational view, the left side being a mirror image thereof;

FIG. 11 is a rear elevational view;

FIG. 12 is a bottom plan view;

FIG. 13 is a front perspective view, looking slightly from above, of an arm chair in accordance with another embodiment showing my new design;

FIG. 14 is a front elevational view;

FIG. 15 is a top plan view;

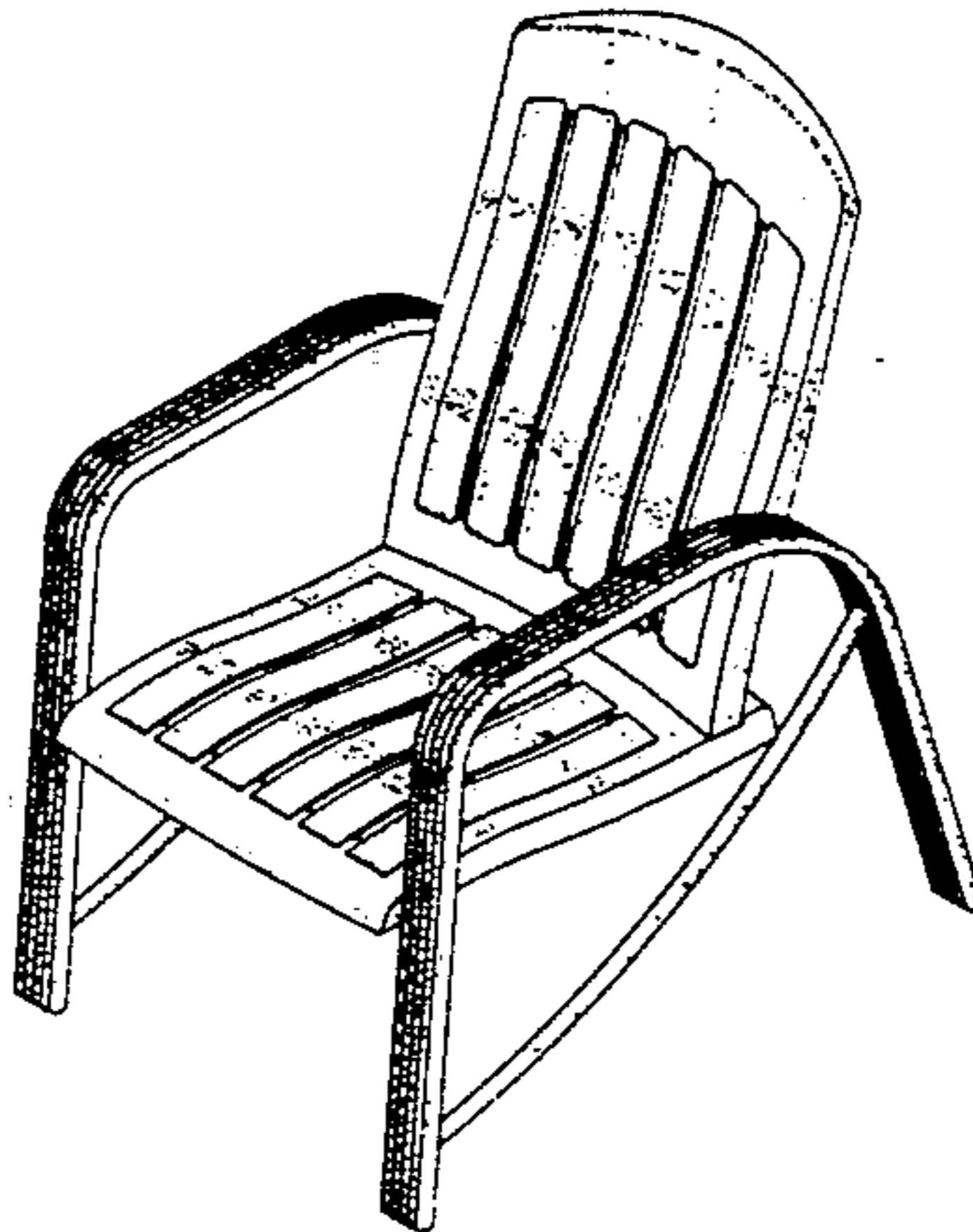


FIG. 1

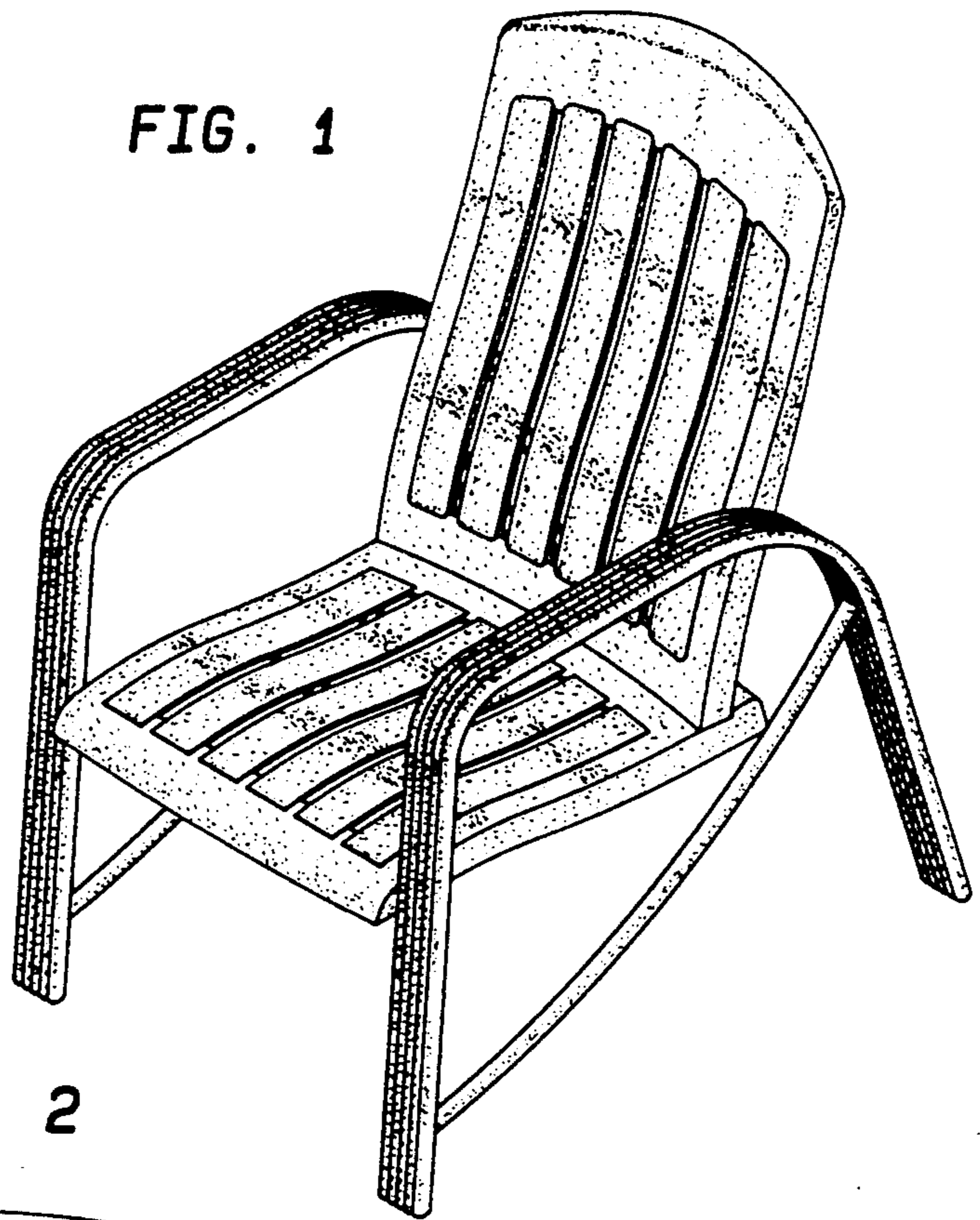


FIG. 2

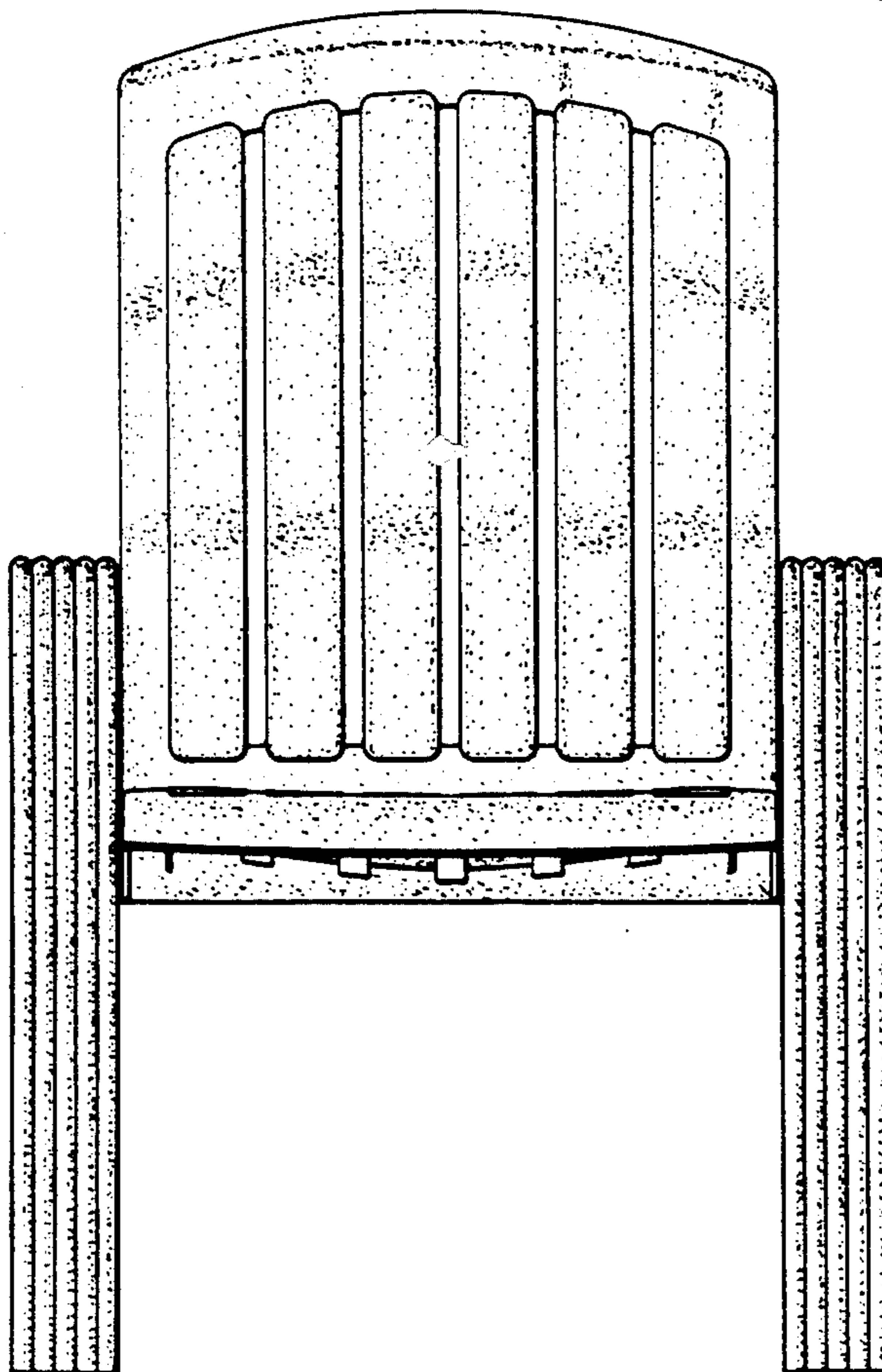


FIG. 3

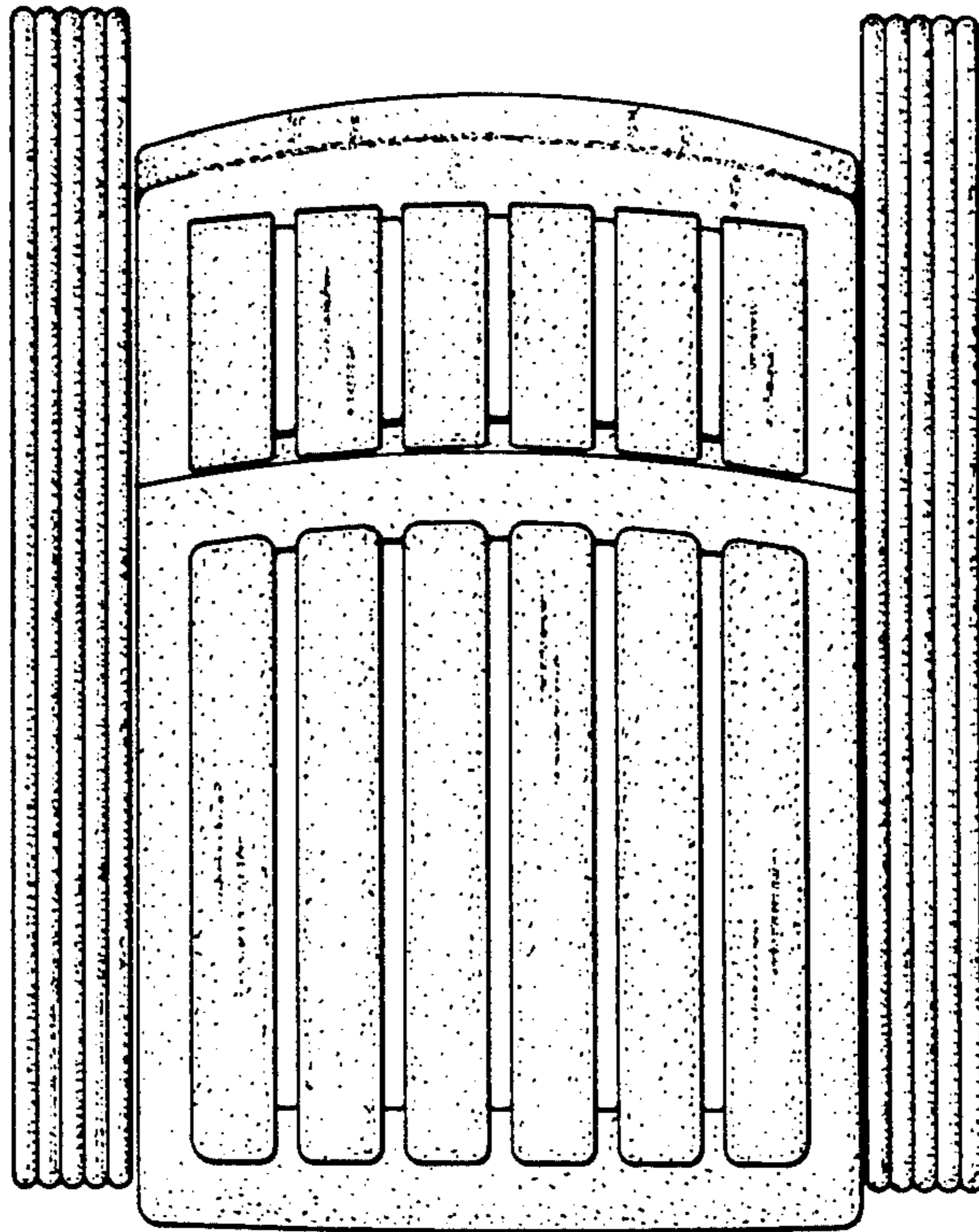


FIG. 4

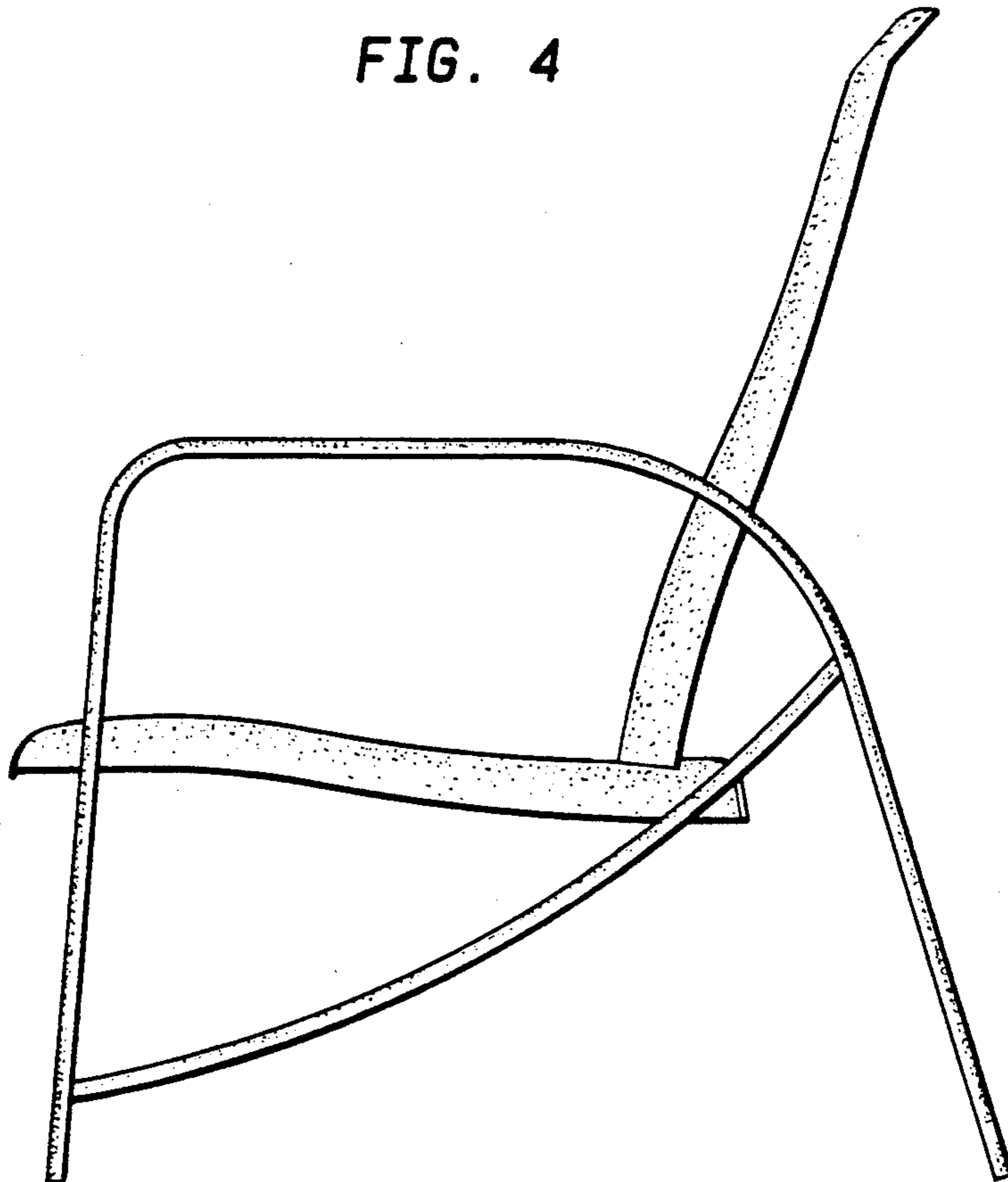


FIG. 5

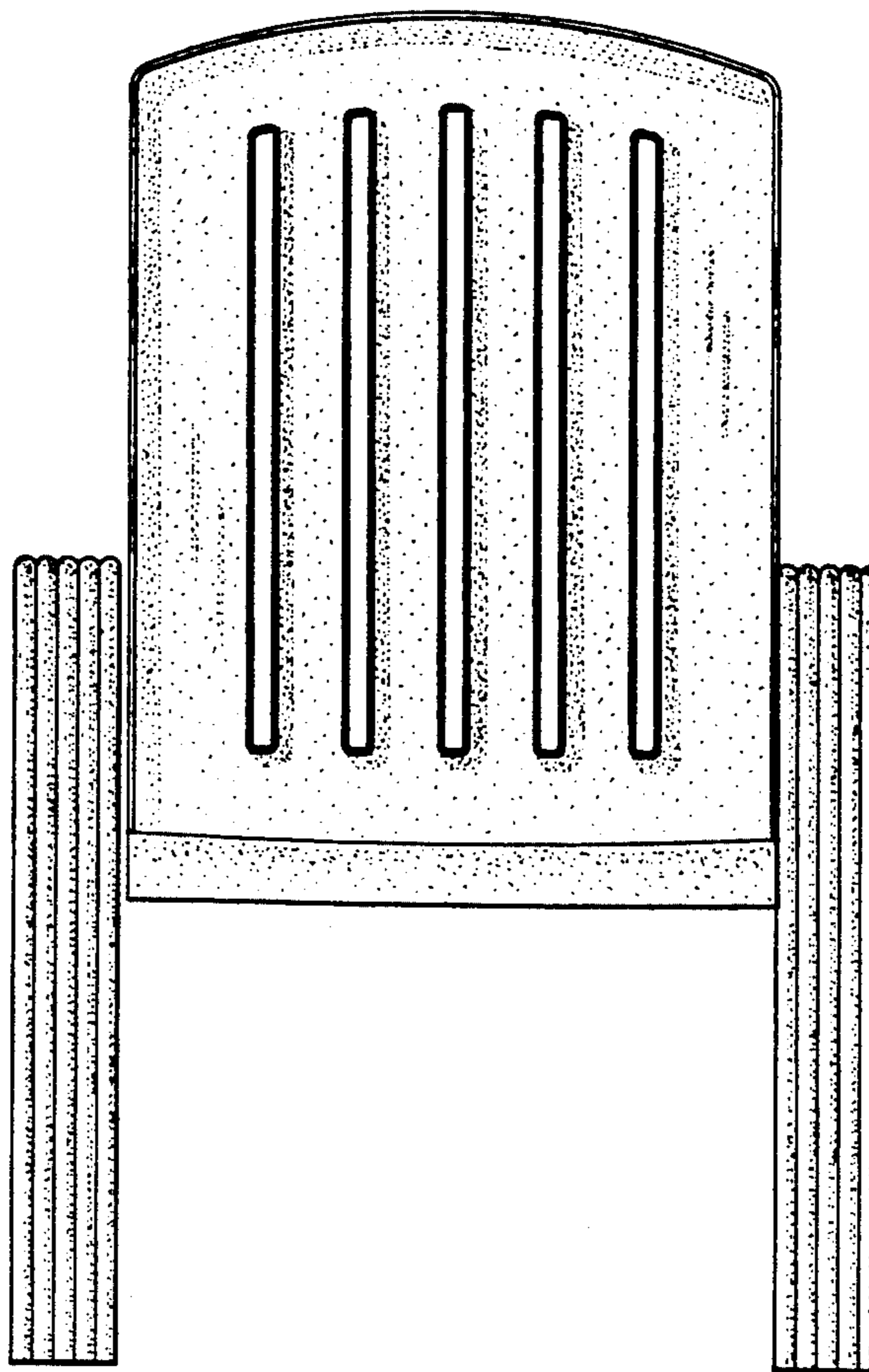


FIG. 6

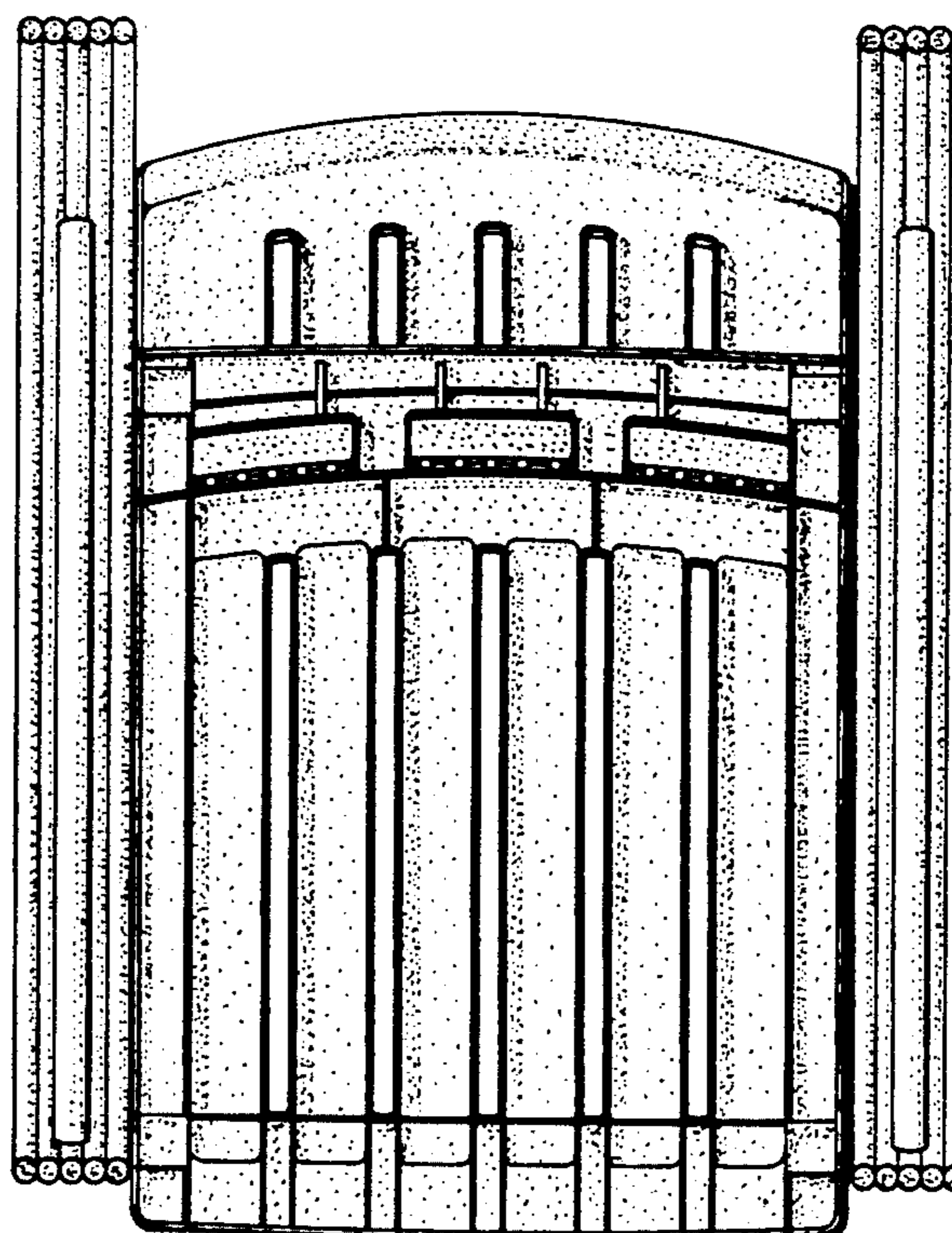


FIG. 7

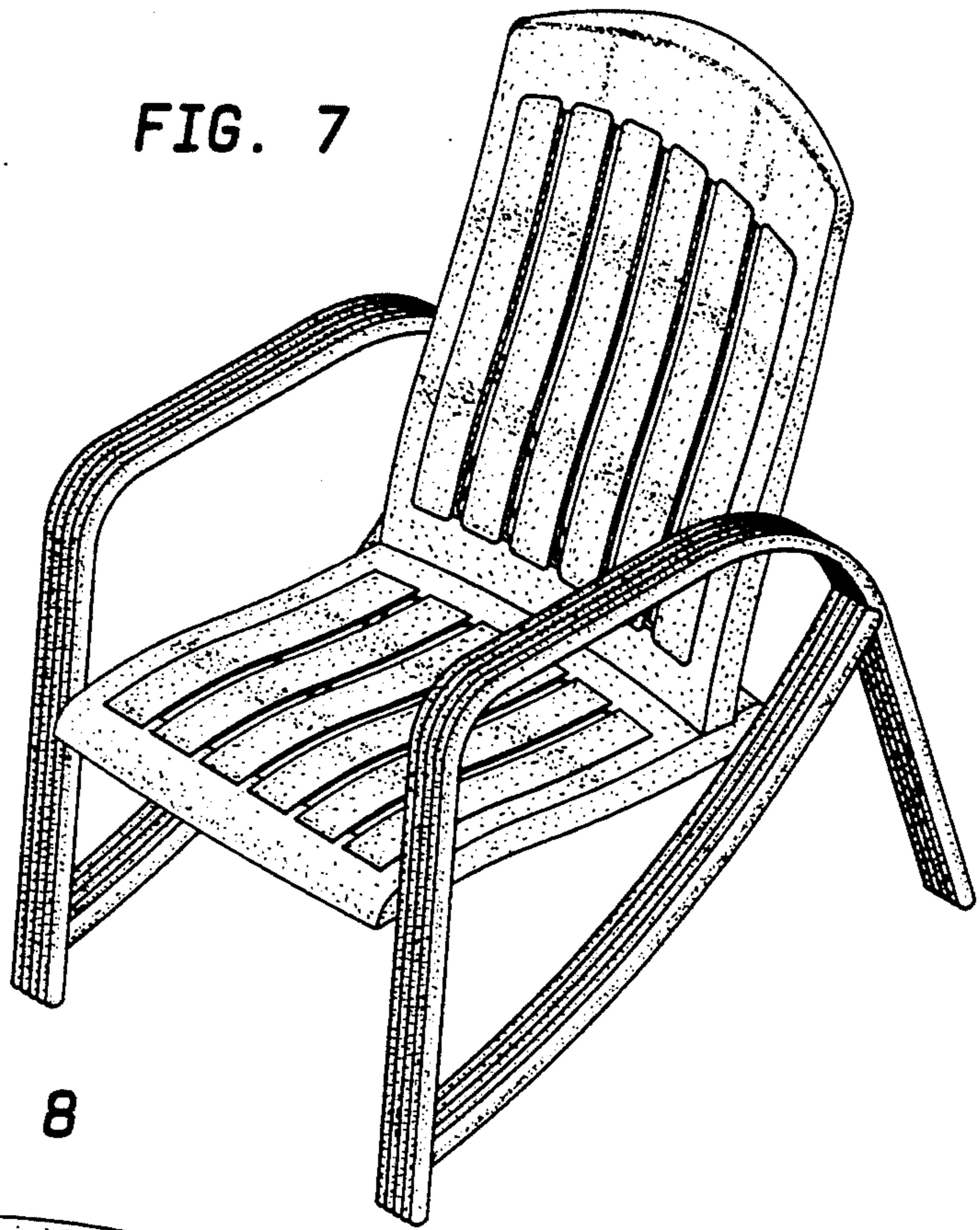


FIG. 8

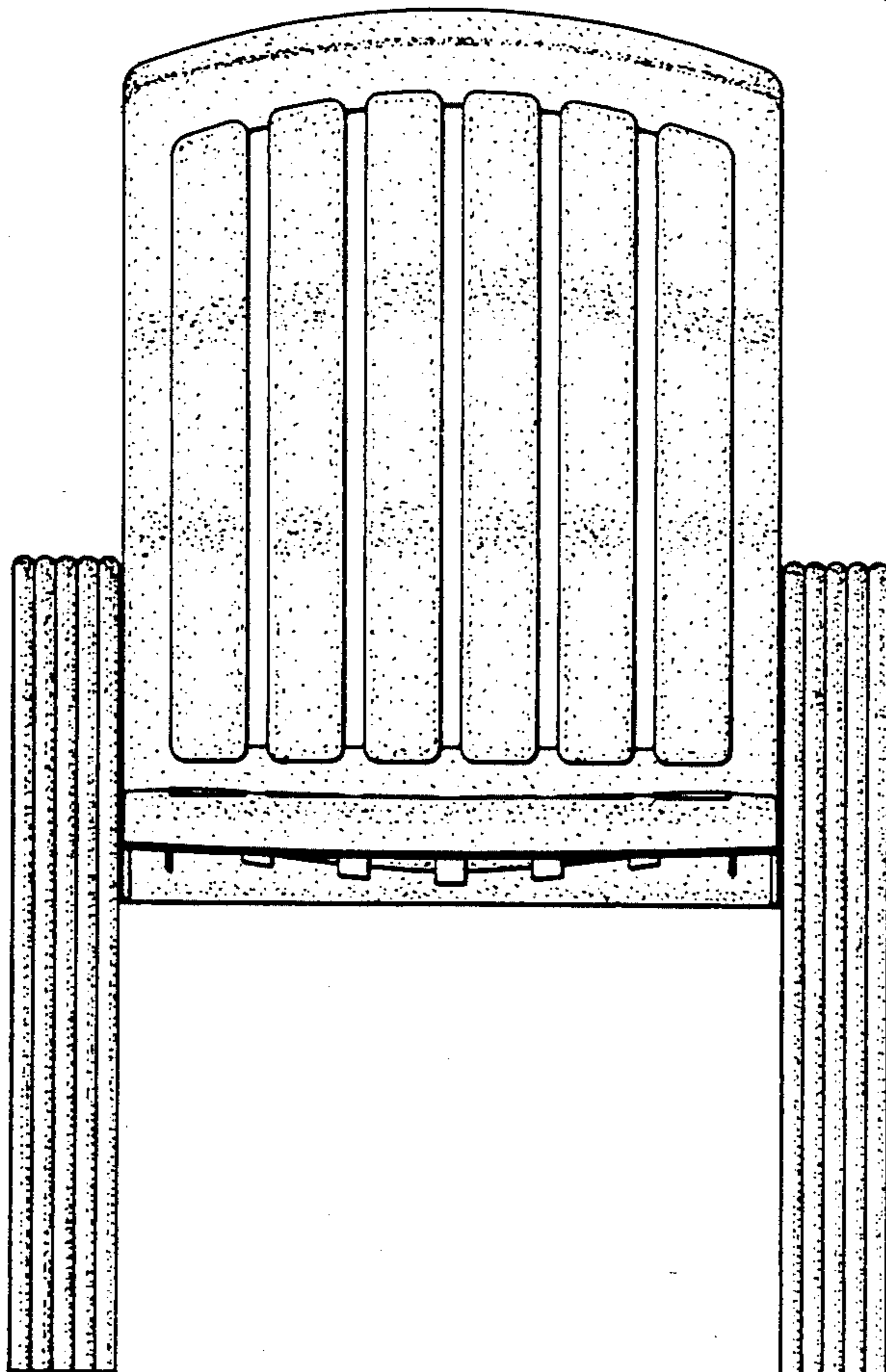


FIG. 9

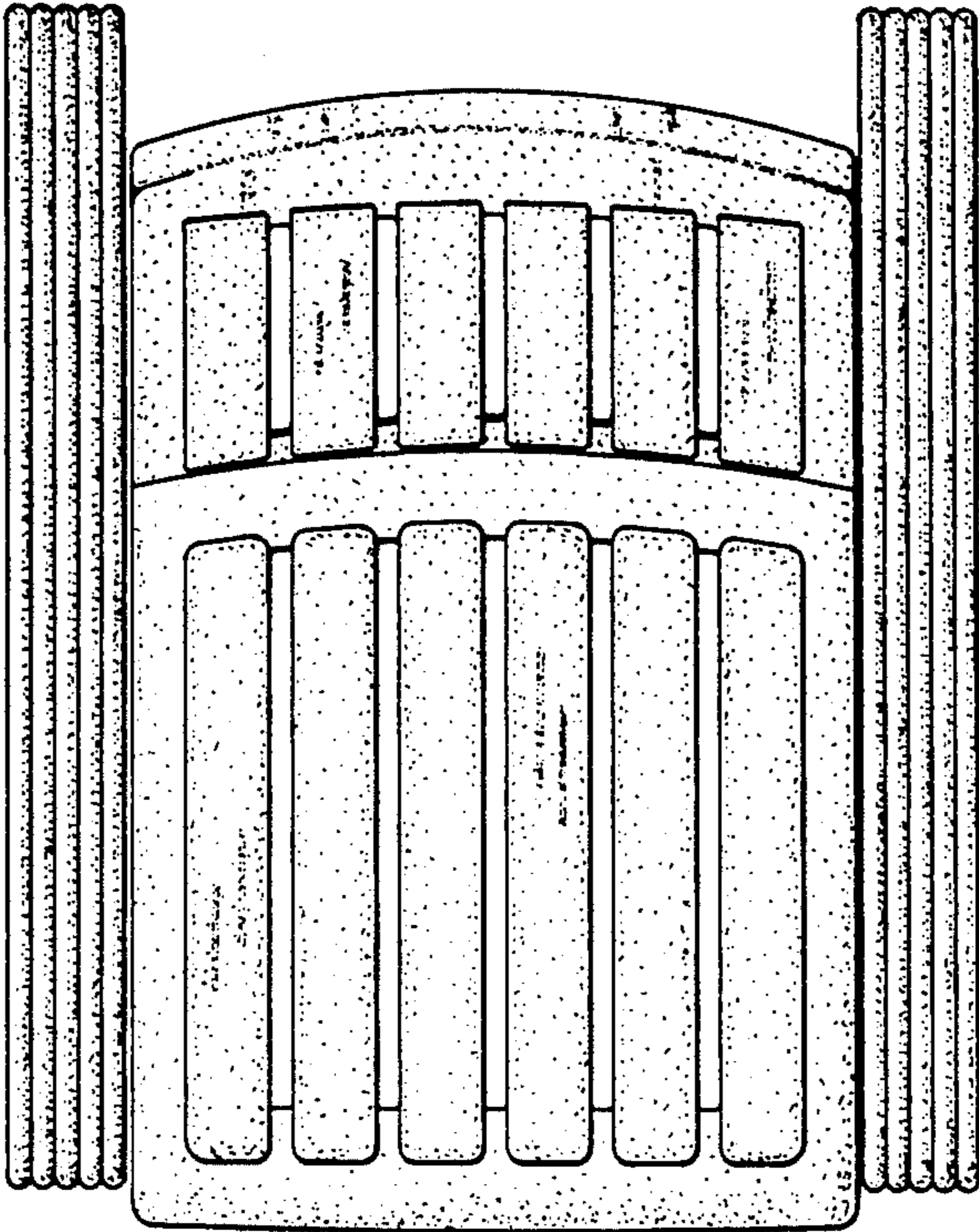


FIG. 10

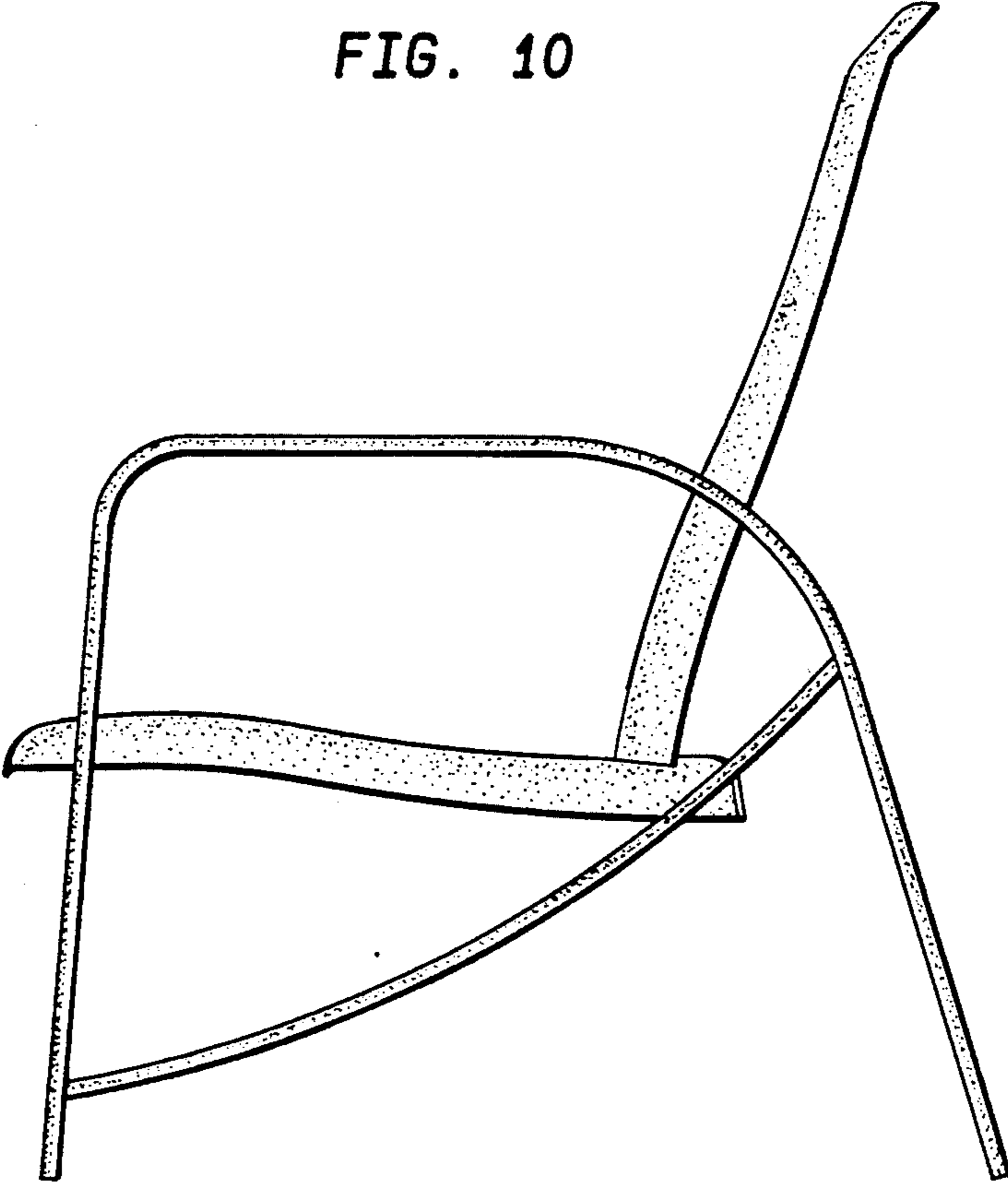


FIG. 11

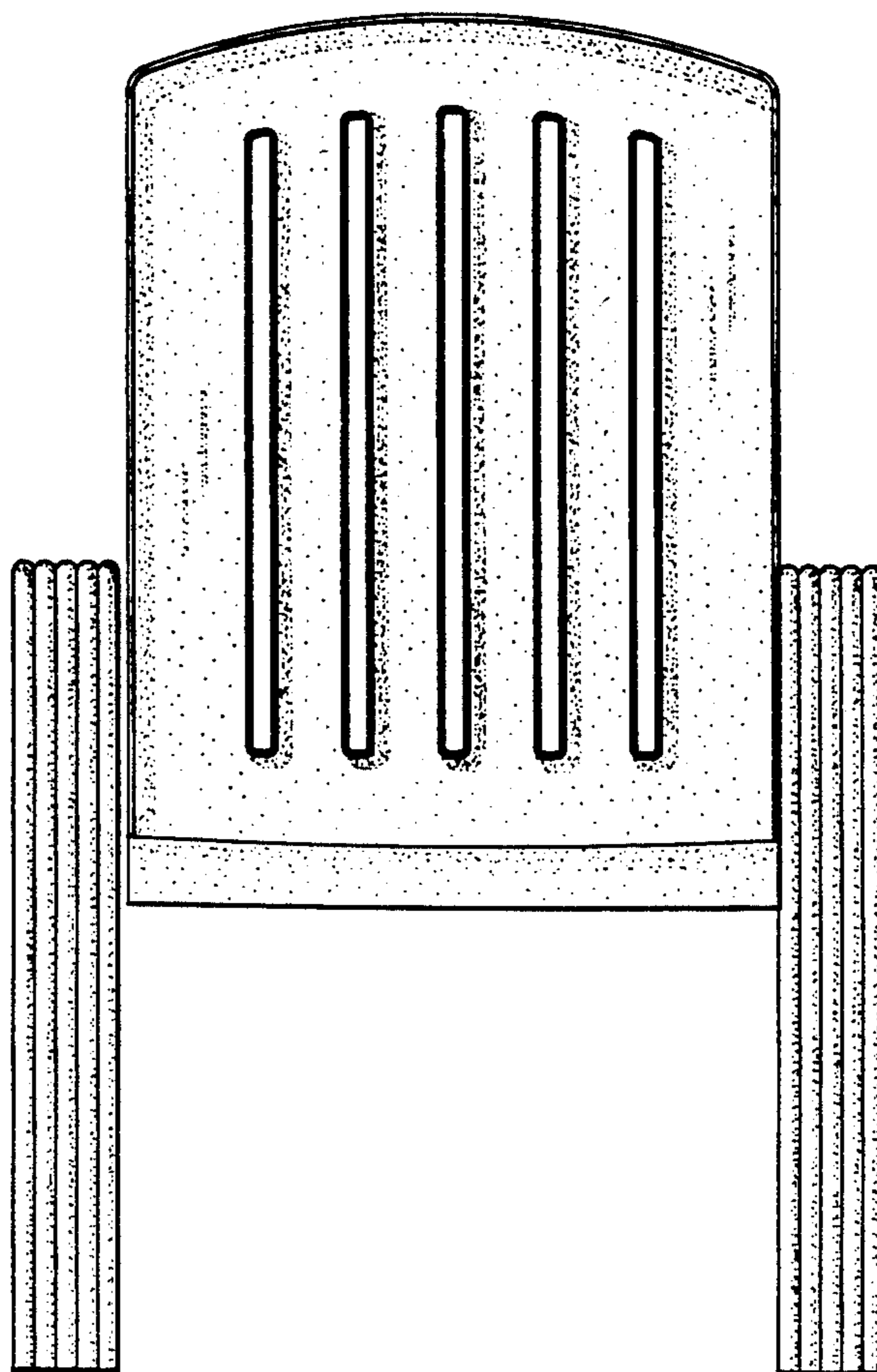


FIG. 12

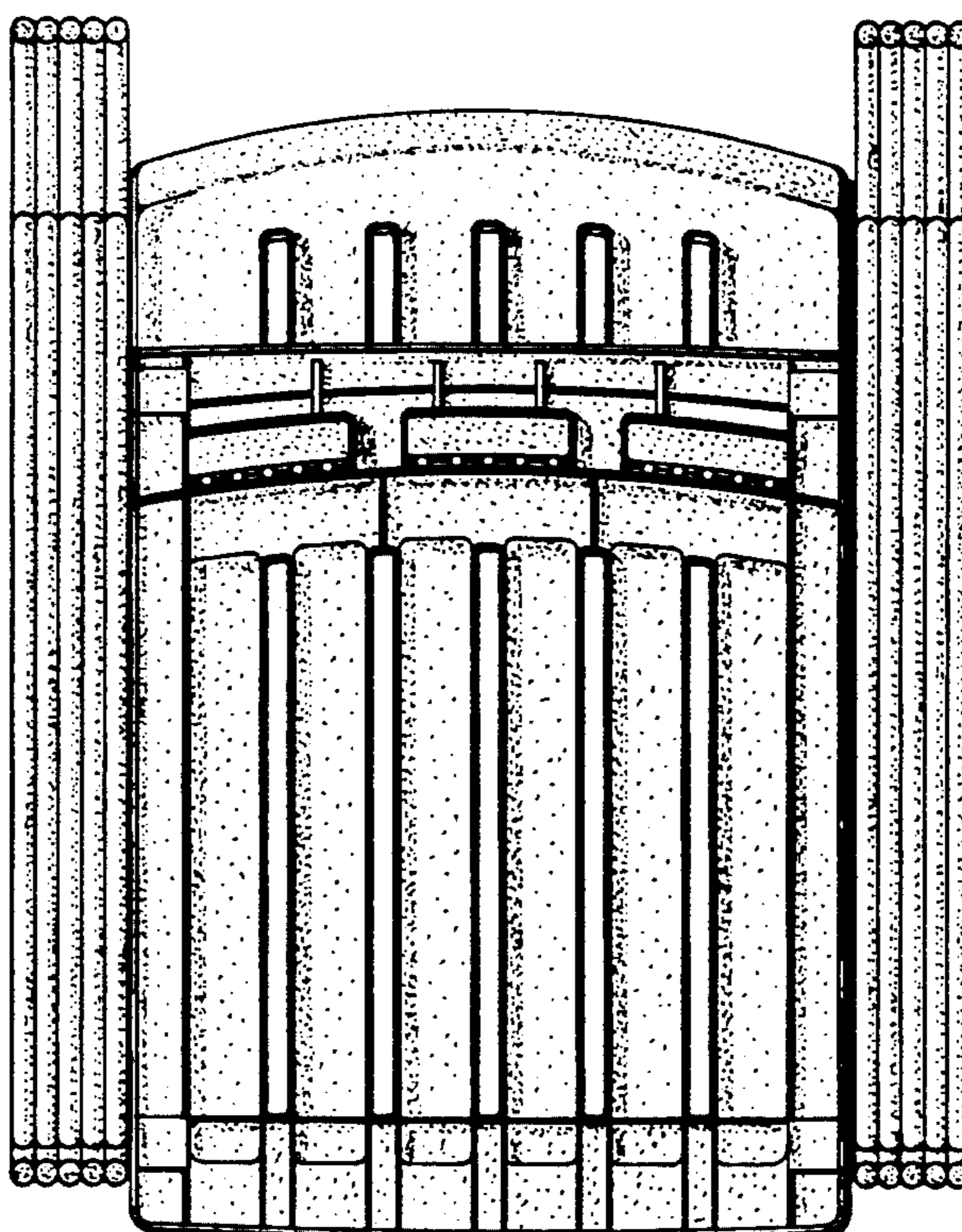


FIG. 13

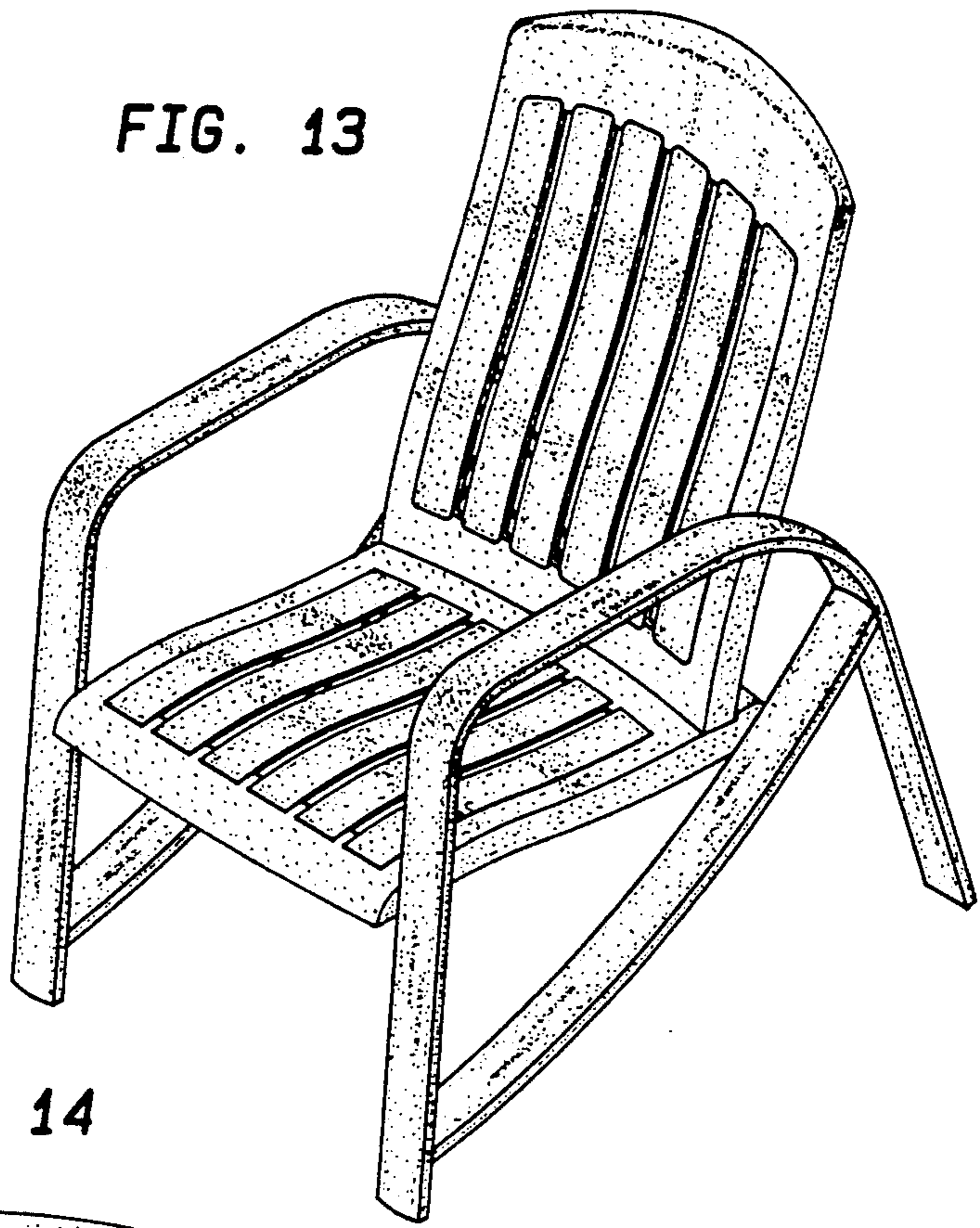


FIG. 14

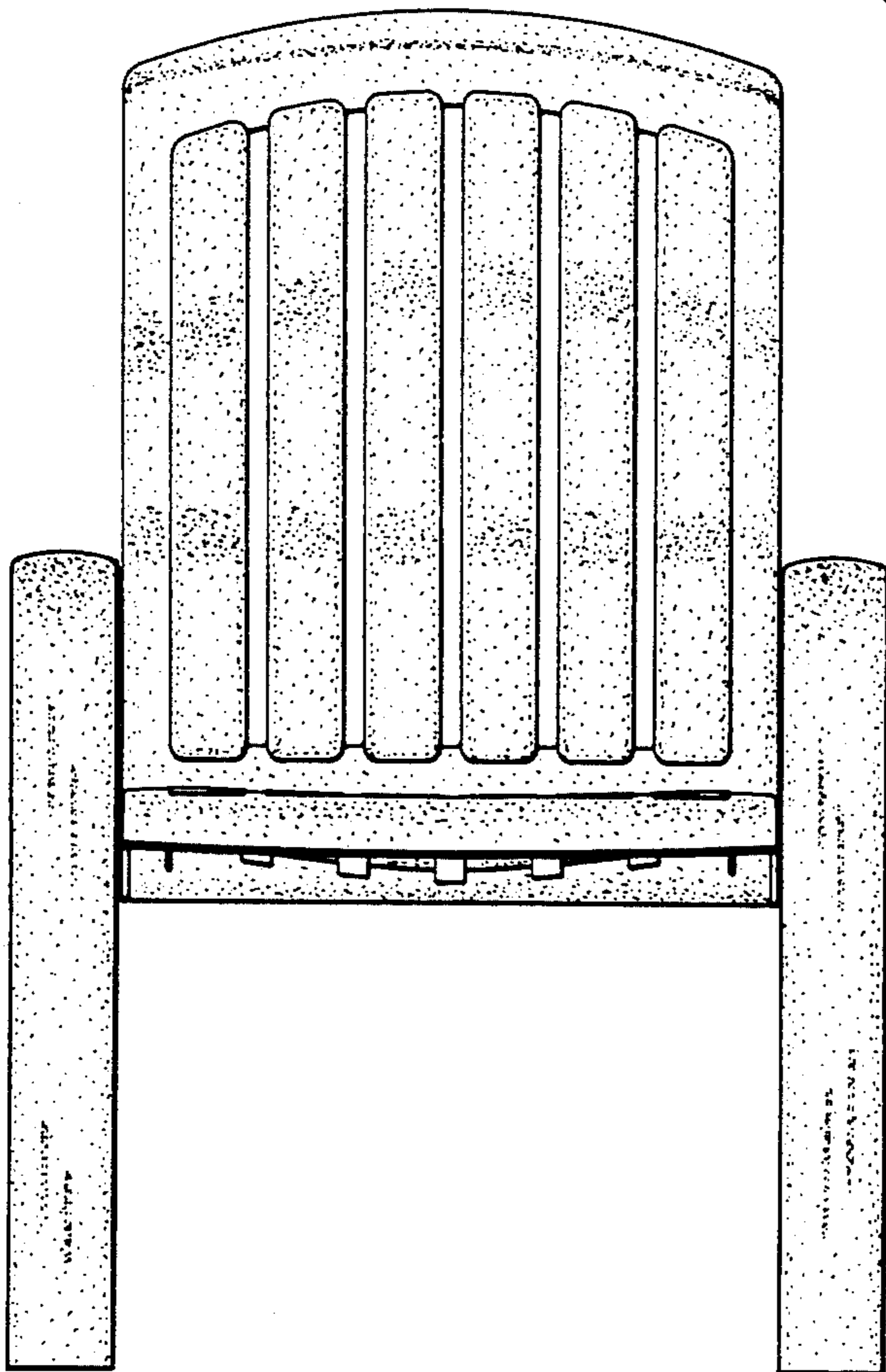


FIG. 15

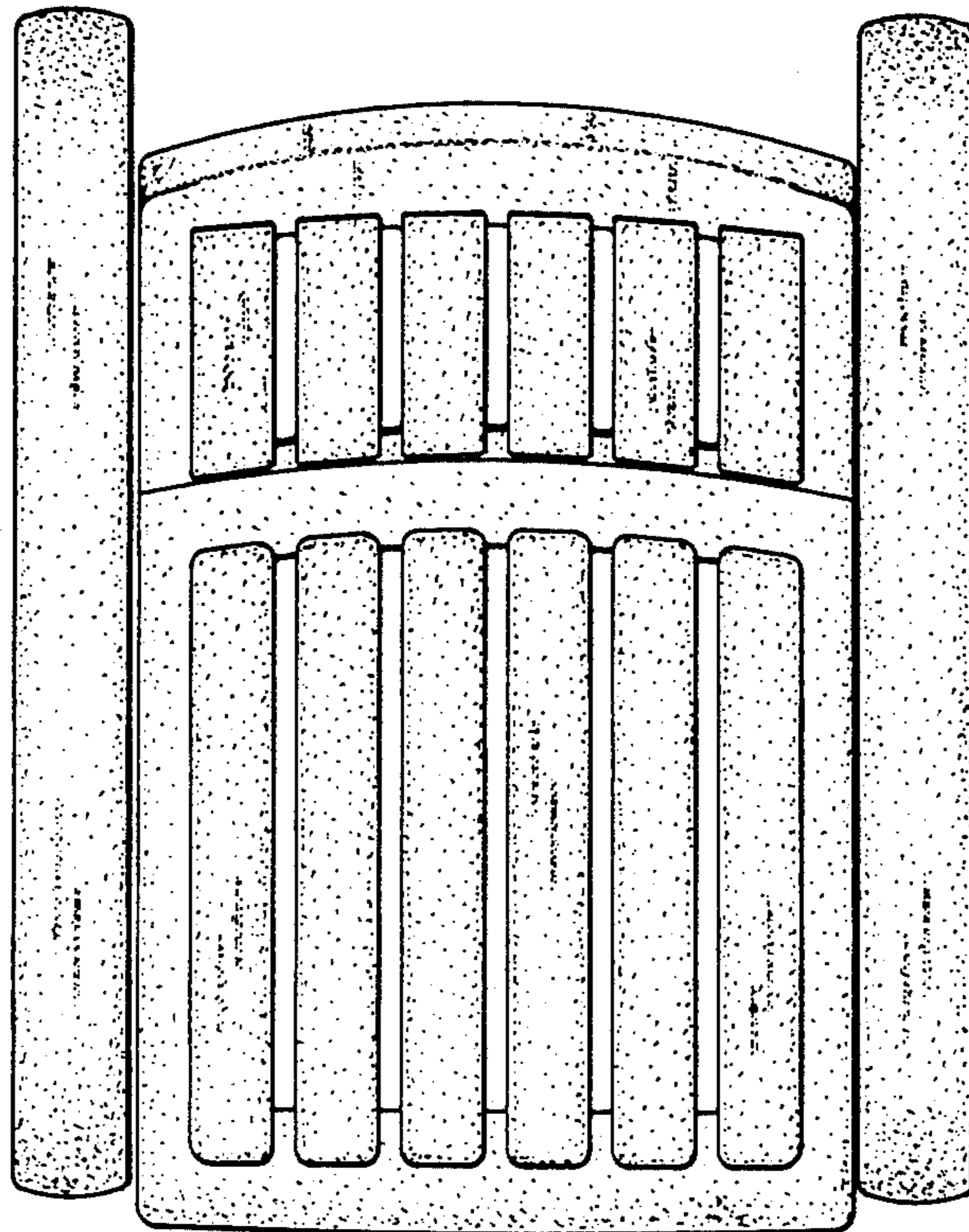


FIG. 16

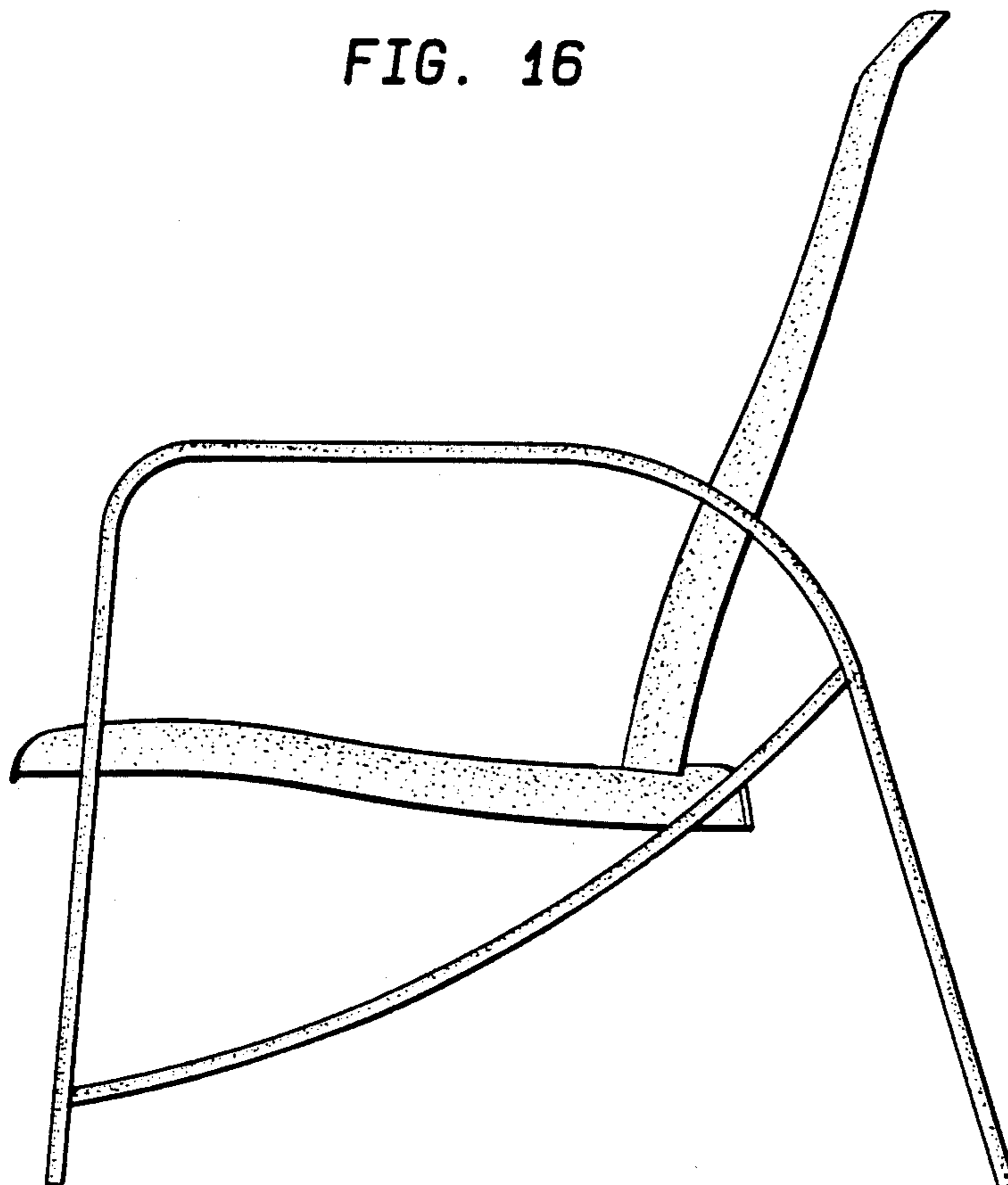


FIG. 17

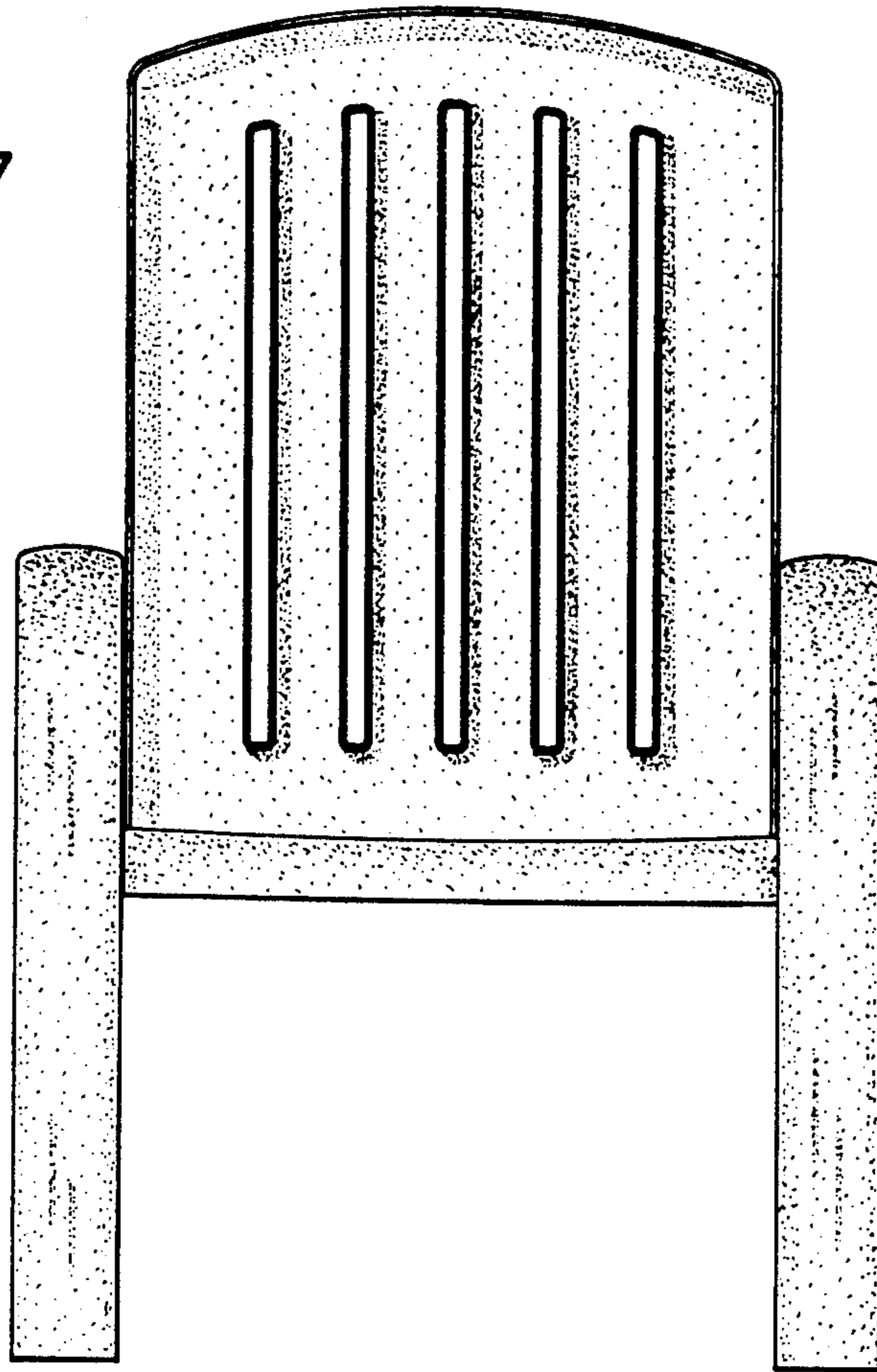


FIG. 18

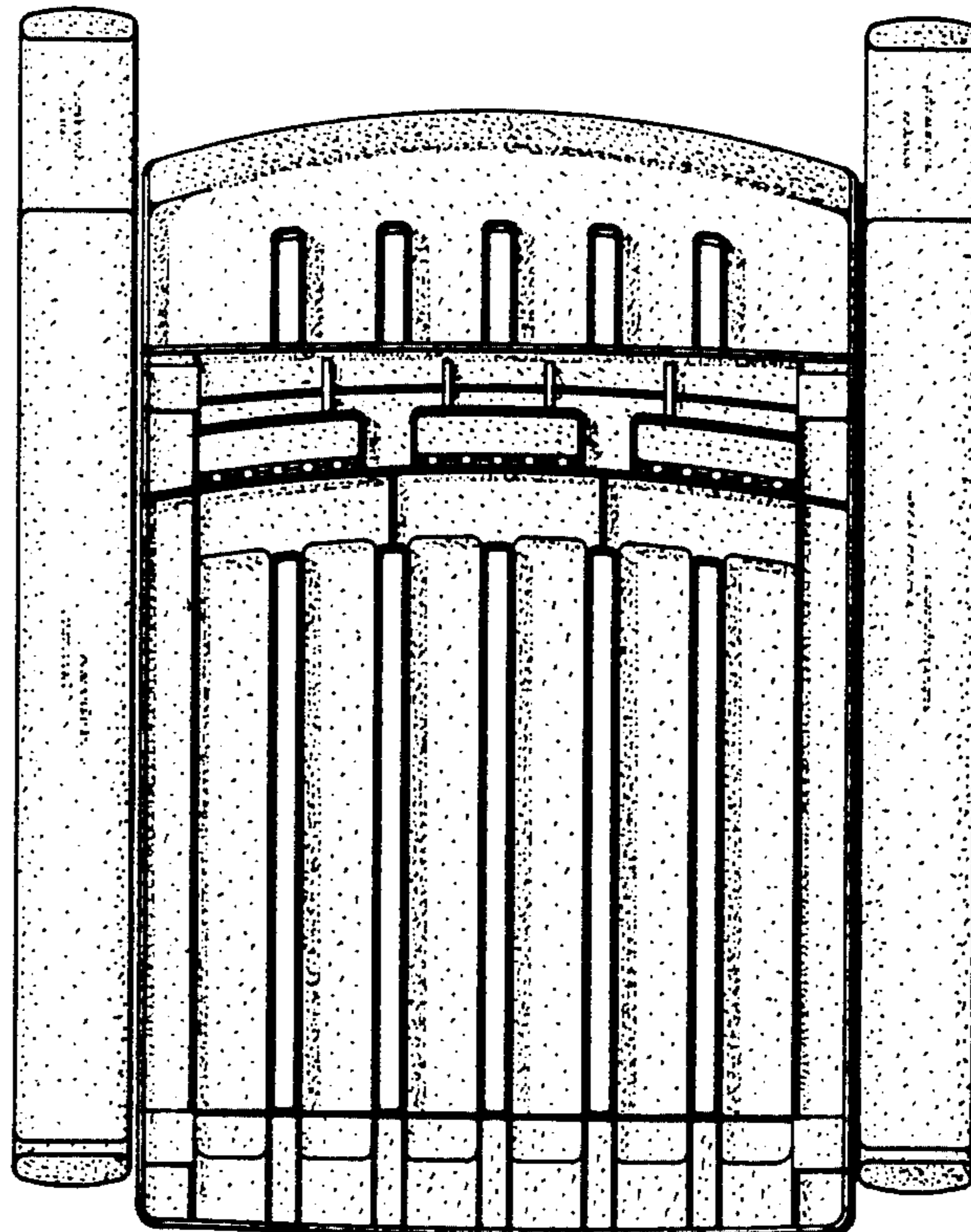


FIG. 19

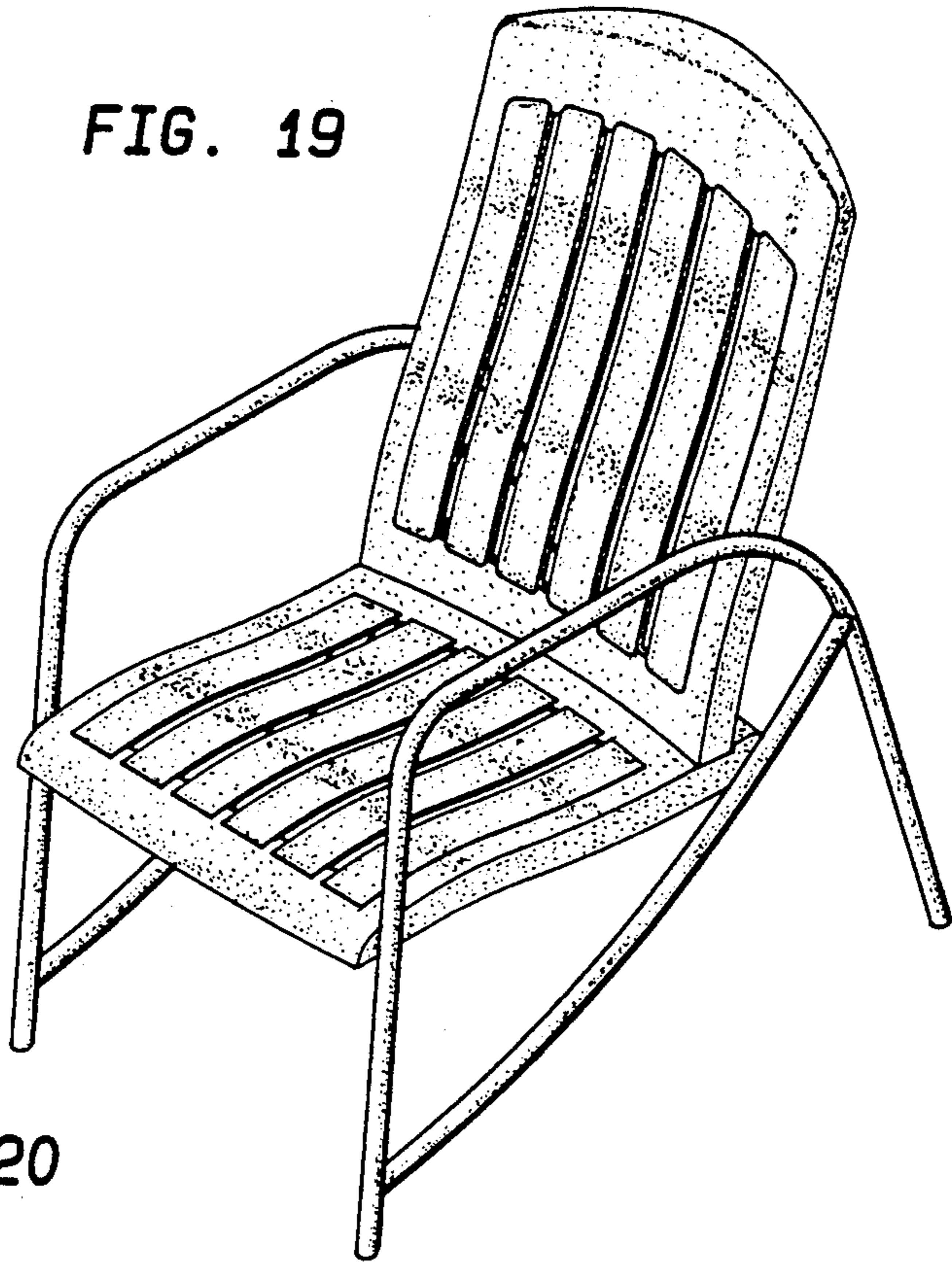


FIG. 20

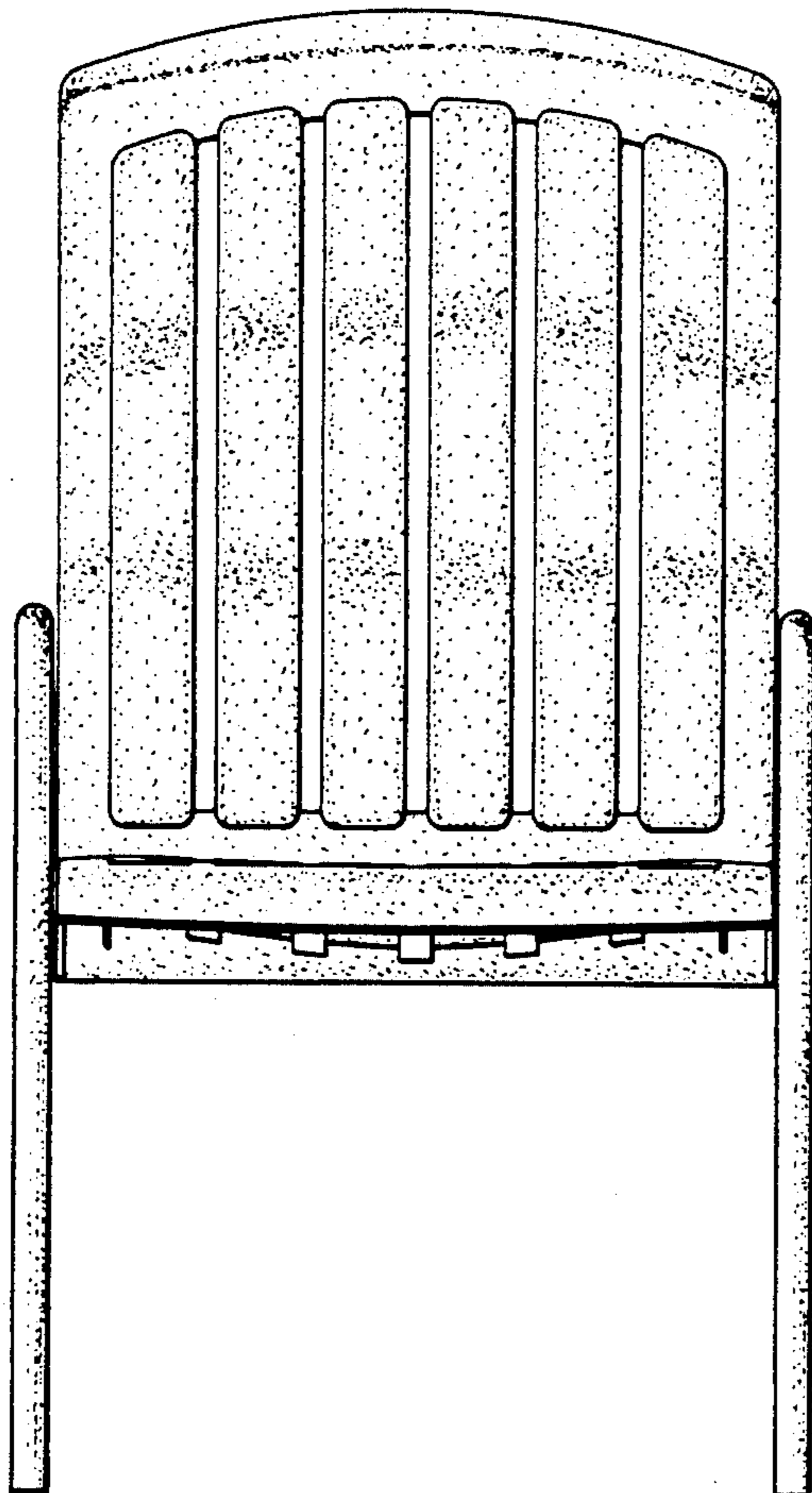


FIG. 21

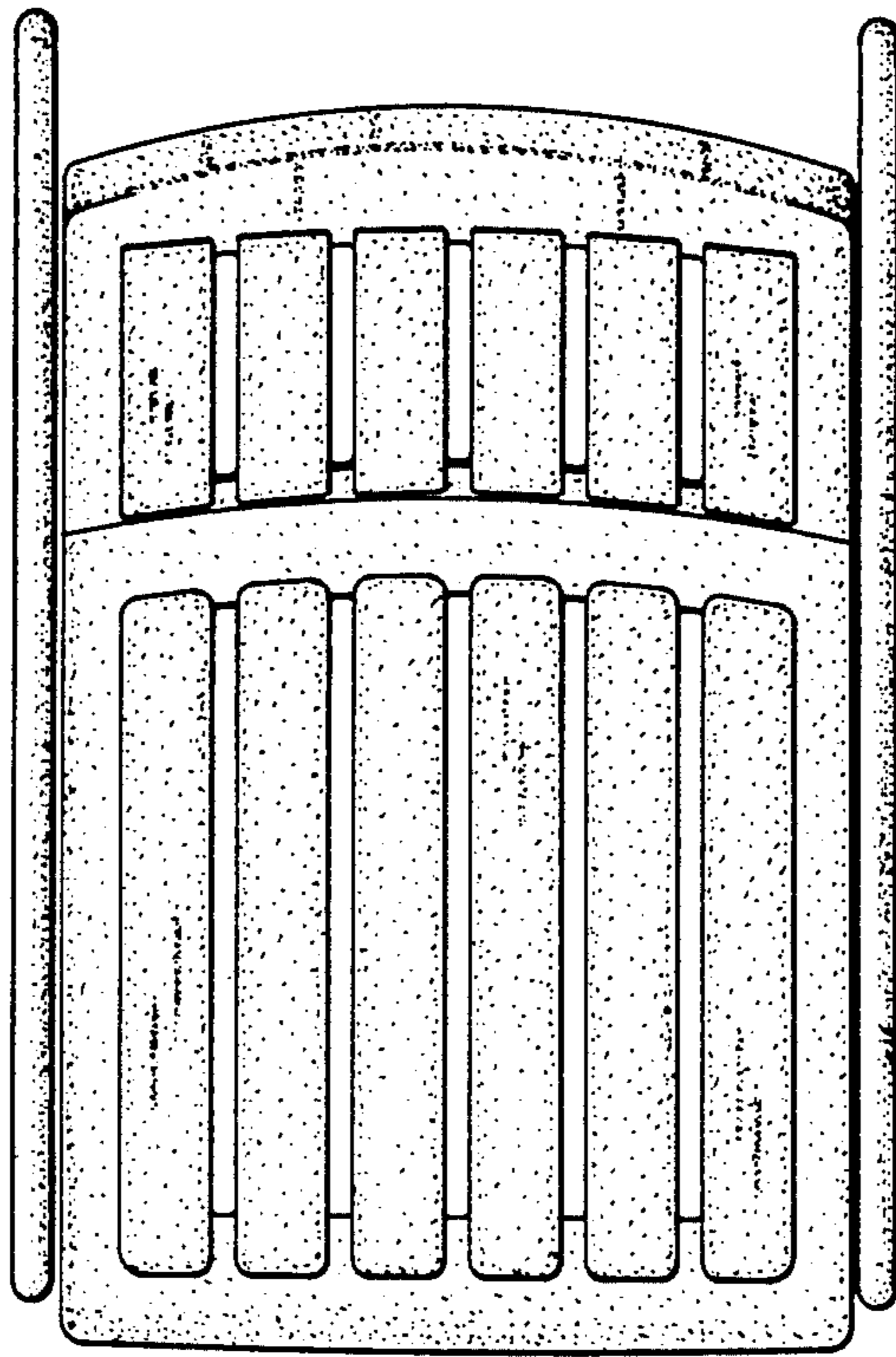


FIG. 22

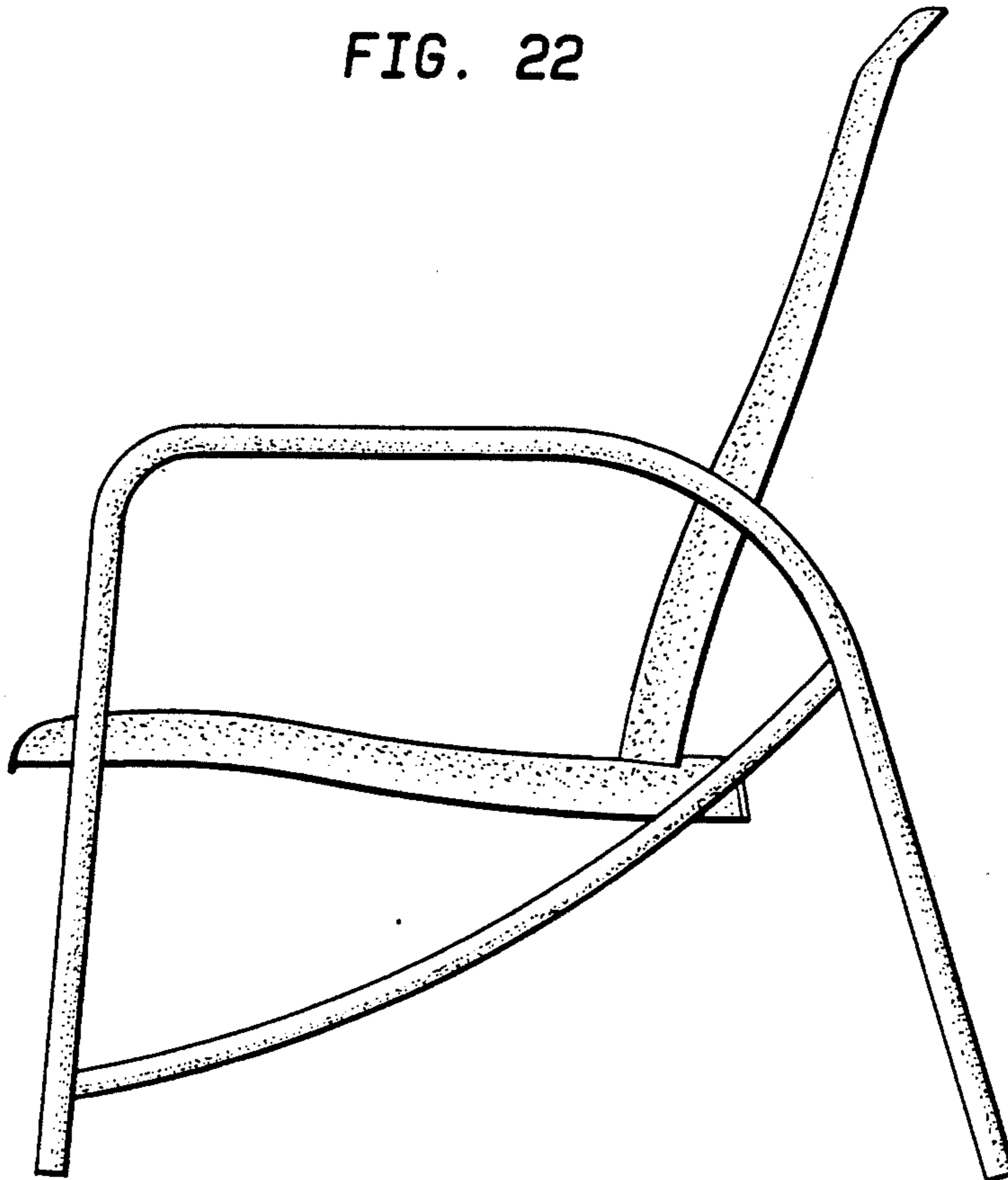


FIG. 23

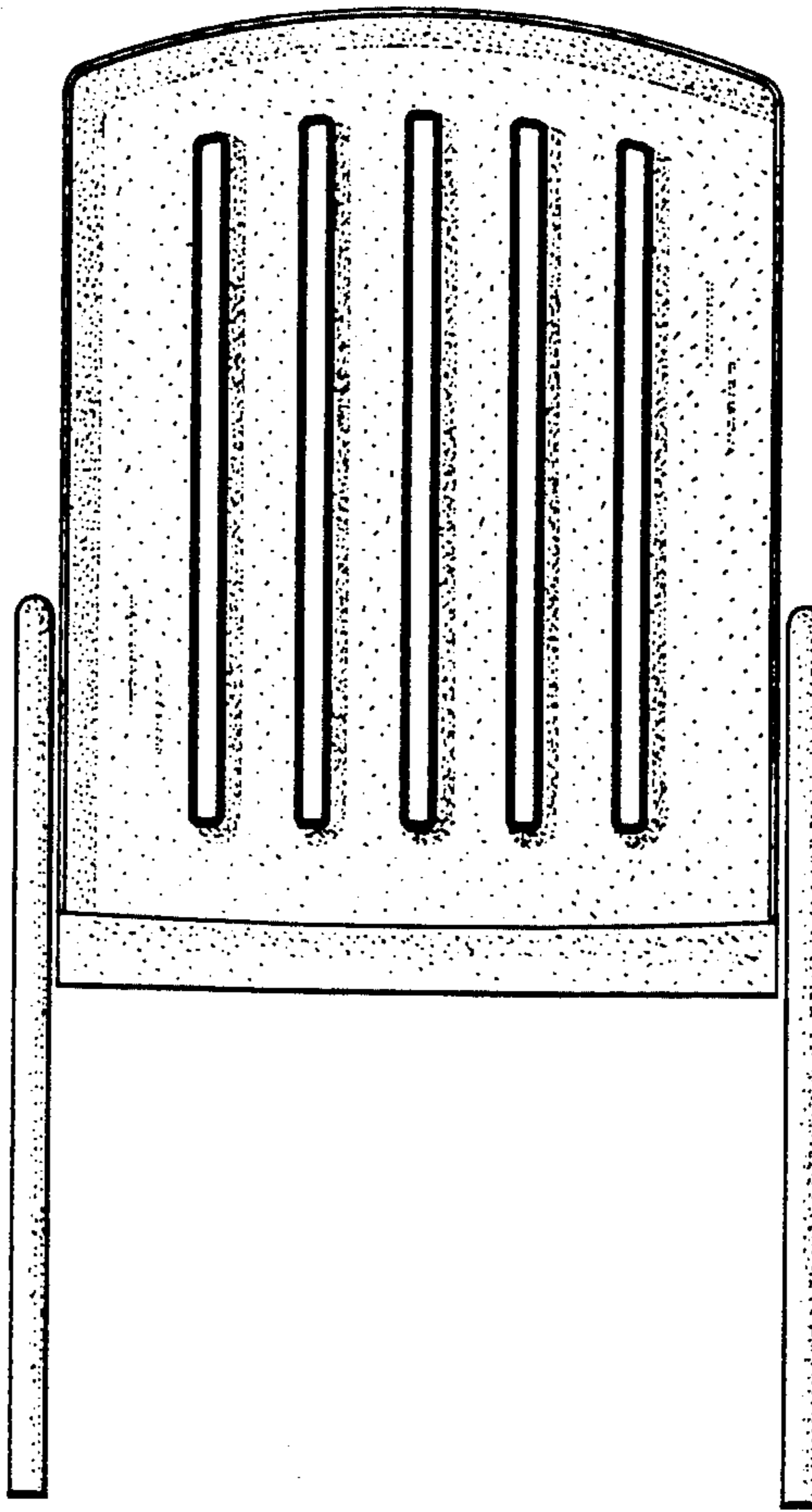


FIG. 24

