



US00D341034S

United States Patent [19]

[11] Patent Number: Des. 341,034

Schwartz

[45] Date of Patent: ** Nov. 9, 1993

[54] **ARM CHAIR**

[75] Inventor: **Larry A. Schwartz**, Franklin, N.J.

[73] Assignee: **Omni Products International, Inc.**,
Richmond, Va.

[**] Term: **14 Years**

[21] Appl. No.: **759,066**

[22] Filed: **Sep. 13, 1991**

[52] U.S. Cl. **D6/370; D6/379**

[58] Field of Search **D6/334, 370, 371, 372,**
D6/373, 374, 375, 376, 379, 380, 500, 501, 502;
297/419, 445, 446, 457

D. 298,787	12/1988	Greene .	
D. 300,587	4/1989	Uredat .	
D. 300,588	4/1989	White .	
D. 308,305	6/1990	Snodgrass .	
D. 308,306	6/1990	Dozsa-Farkas .	
D. 311,460	10/1990	Greene .	
D. 313,515	1/1991	Wood .	
D. 320,508	10/1991	Klawitter .	
D. 323,249	1/1992	Schwartz	D6/370
D. 325,837	5/1992	Schwartz	D6/370 X
2,135,883	11/1938	Oermann .	
5,094,507	3/1992	Gibbs	D6/374 X

[56] **References Cited**

U.S. PATENT DOCUMENTS

D. 85,121	6/1931	Sobel .	
D. 94,089	9/1934	Lucas .	
D. 95,745	5/1935	Hoffmann	D6/379
D. 102,044	11/1936	Wexelblatt	D6/370
D. 106,383	10/1937	Vavrik	D6/373
D. 113,144	1/1939	Meitner .	
D. 113,406	2/1939	Uber .	
D. 141,648	6/1945	Bannister .	
D. 145,678	10/1946	Roth .	
D. 189,642	1/1961	Hess	D6/379
D. 203,109	12/1965	Barecki et al. .	
D. 213,438	3/1969	Koch .	
D. 223,569	5/1972	Grosfillex .	
D. 237,671	11/1975	Grosfillex .	
D. 249,760	10/1978	Gageby .	
D. 252,546	8/1979	Petersen .	
D. 252,904	9/1979	Springfield .	
D. 252,905	9/1979	Springfield .	
D. 262,077	12/1981	Deconinck .	
D. 277,241	1/1985	Massonnet .	
D. 277,917	3/1986	Slakman .	
D. 279,243	6/1985	Vanderminden .	
D. 279,947	8/1985	Ballarini .	
D. 280,474	9/1985	Vanderminden .	
D. 281,941	12/1985	Ambasz .	
D. 288,994	3/1987	Winters .	
D. 289,238	4/1987	Arthur, Jr. .	
D. 289,349	4/1987	Vanderminden .	
D. 291,391	8/1987	Arthur, Jr. .	
D. 294,089	2/1988	Klein	D6/379
D. 294,436	3/1988	Colby .	
D. 296,848	7/1988	Colby .	

OTHER PUBLICATIONS

Omni's Casual Furniture Catalog, vol. VII—Genesis & Aluminum Collection 1991: "Marsailles", Regal and Royale arm chairs.

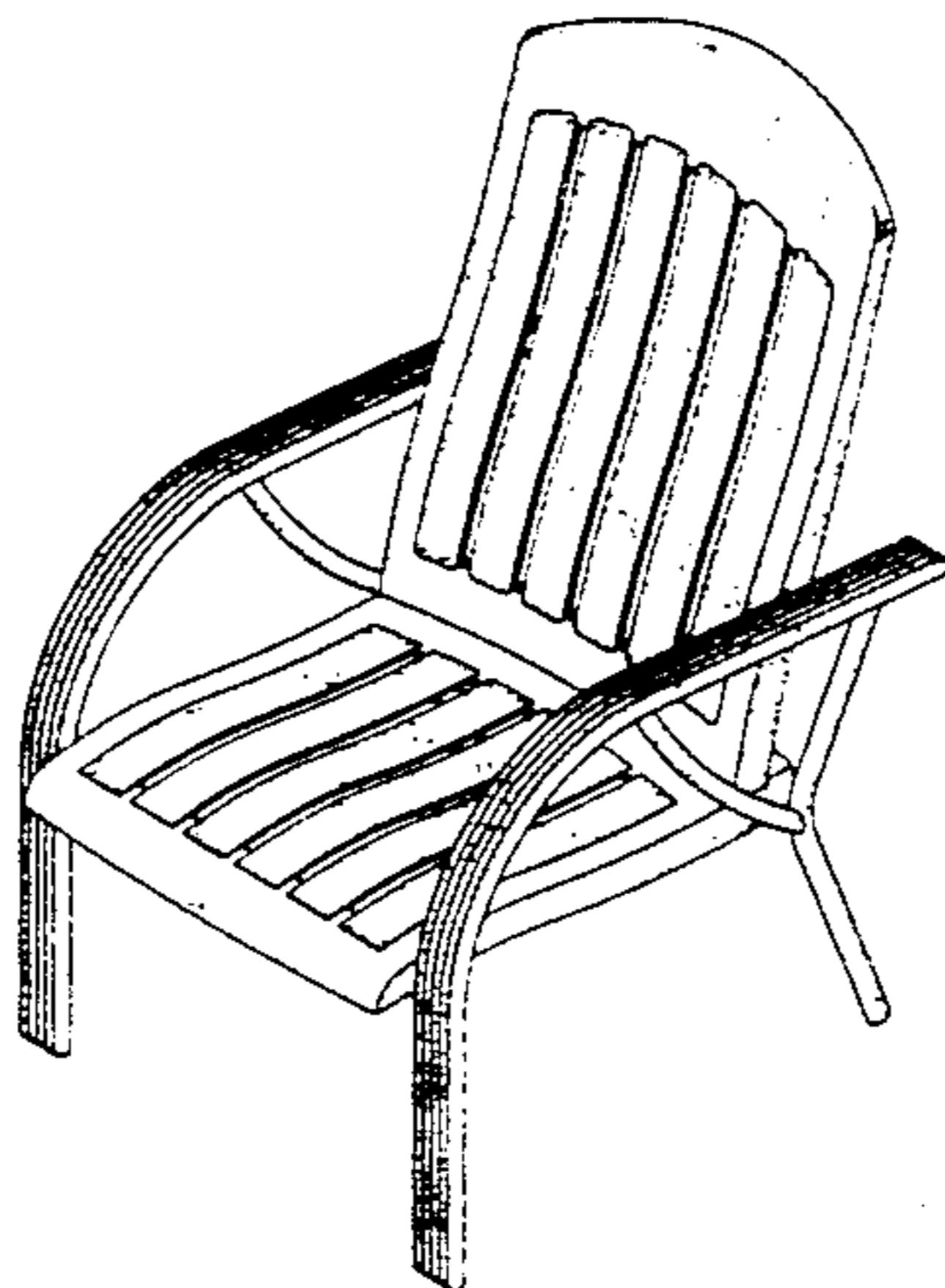
Primary Examiner—Alan P. Douglas
Assistant Examiner—Gary D. Watson
Attorney, Agent, or Firm—Lerner, David, Littenberg, Krumholz & Mentlik

[57] **CLAIM**

The ornamental design for an arm chair, as shown and described.

DESCRIPTION

FIG. 1 is a front perspective view, looking slightly from above, of an arm chair in accordance with one embodiment showing my new design;
 FIG. 2 is a front elevational view;
 FIG. 3 is a top plan view;
 FIG. 4 is a right side elevational view, the left side being a mirror image thereof;
 FIG. 5 is a rear elevational view;
 FIG. 6 is a bottom plan view;
 FIG. 7 is a front perspective view, looking slightly from above, of an arm chair in accordance with another embodiment showing my new design;
 FIG. 8 is a front elevational view;
 FIG. 9 is a top plan view;
 FIG. 10 is a right side elevational view, the left side being a mirror image thereof;
 FIG. 11 is a rear elevational view;
 FIG. 12 is a bottom plan view;
 FIG. 13 is a front perspective view, looking slightly



from above, of an arm chair in accordance with another embodiment showing my new design;
FIG. 14 is a front elevational view;
FIG. 15 is a top plan view;
FIG. 16 is a right side elevational view, the left side being a mirror image thereof;
FIG. 17 is a rear elevational view;
FIG. 18 is a bottom plan view;
FIG. 19 is a front perspective view, looking slightly

from above, of an arm chair in accordance with another embodiment showing my new design;
FIG. 20 is a front elevational view;
FIG. 21 is a top plan view;
FIG. 22 is a right side elevational view, the left side being a mirror image thereof;
FIG. 23 is a rear elevational view; and,
FIG. 24 is a bottom plan view.

FIG. 1

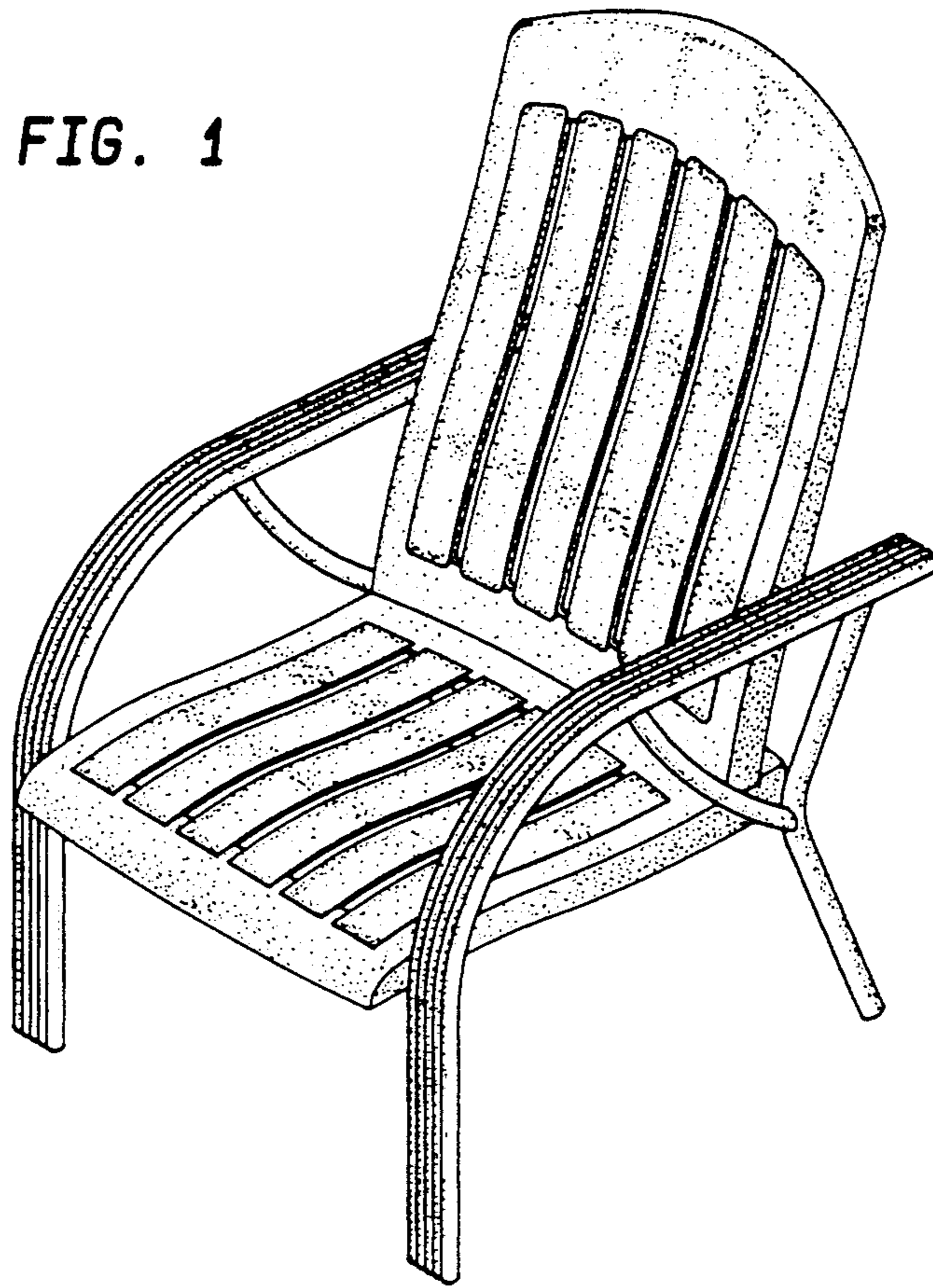


FIG. 2

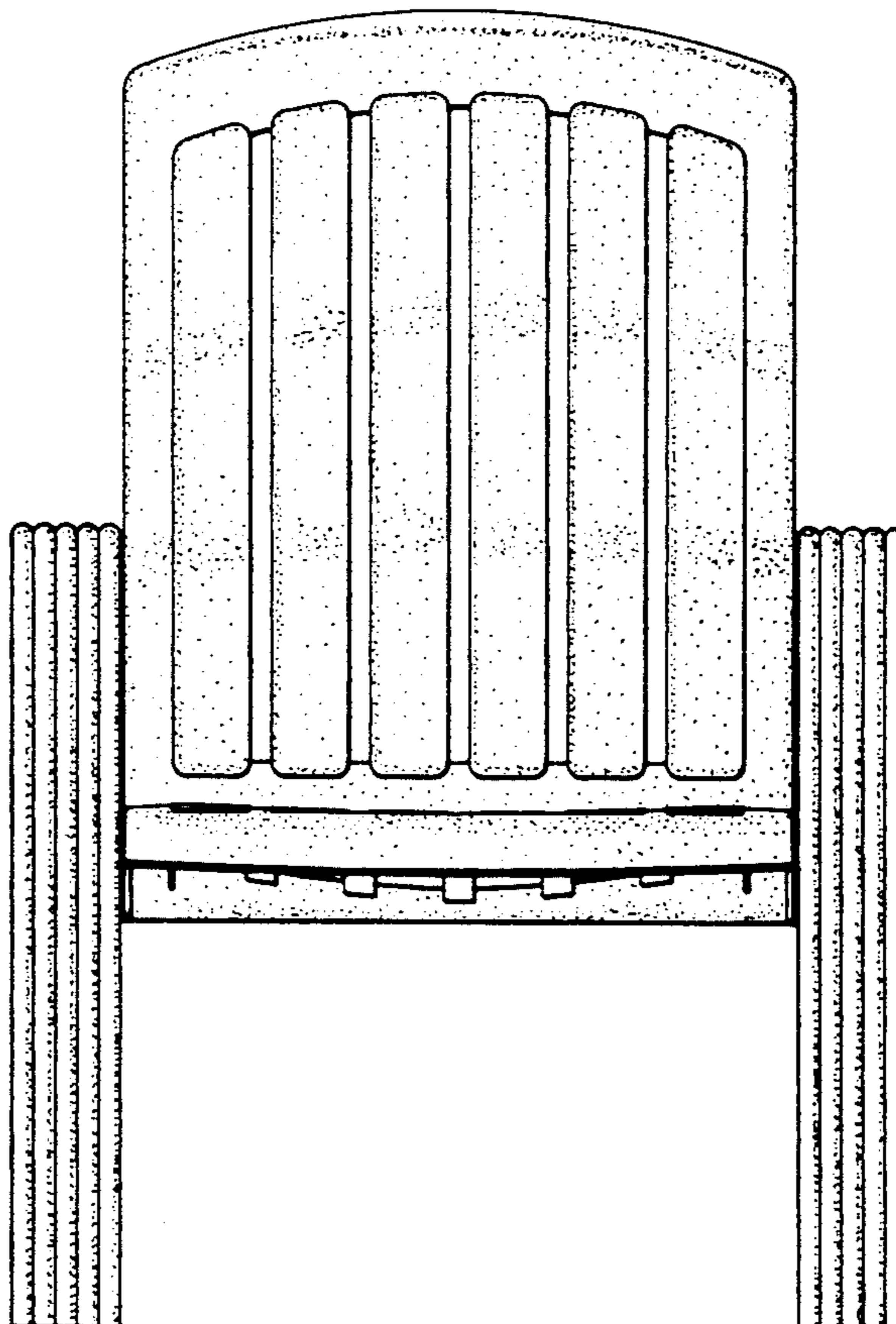


FIG. 3

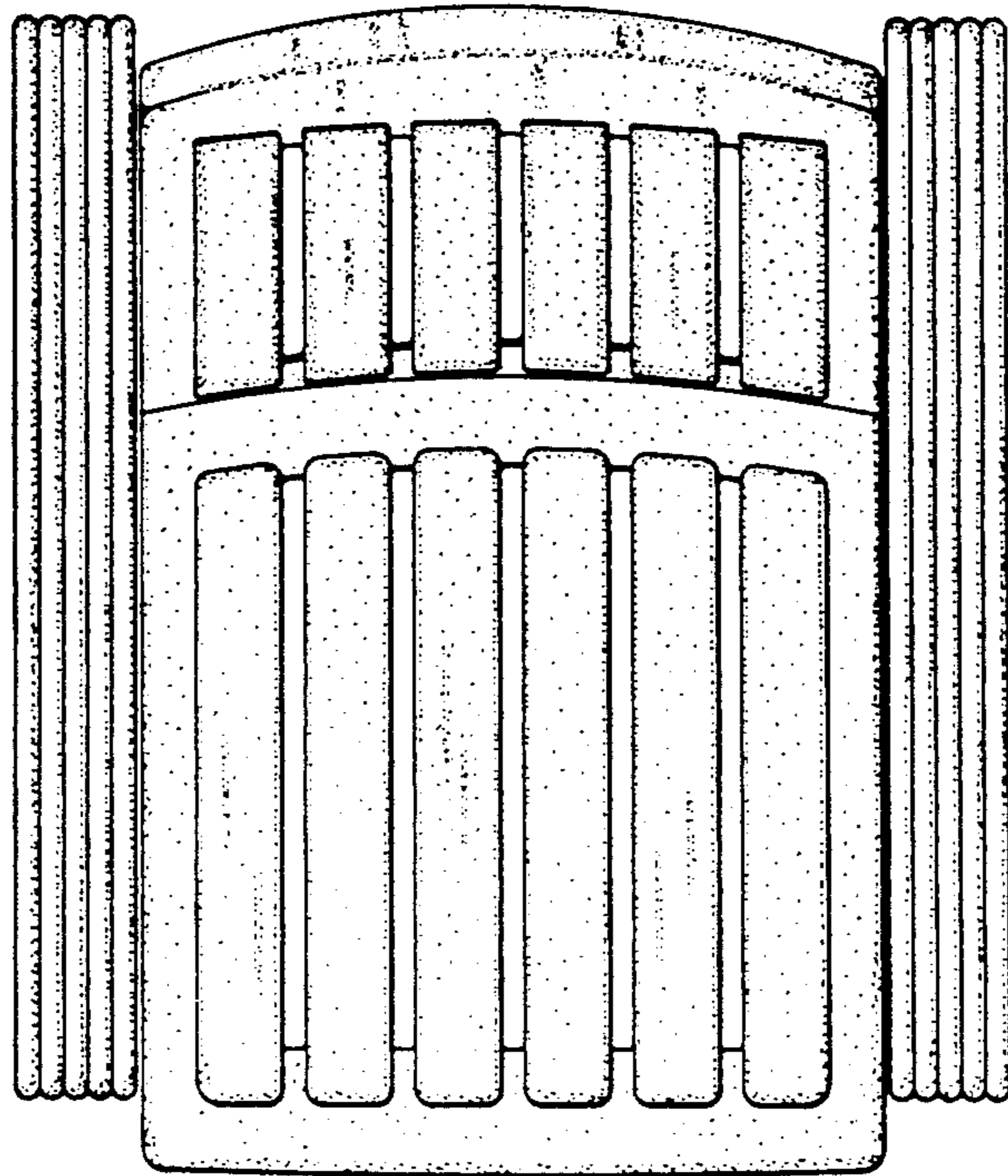


FIG. 4

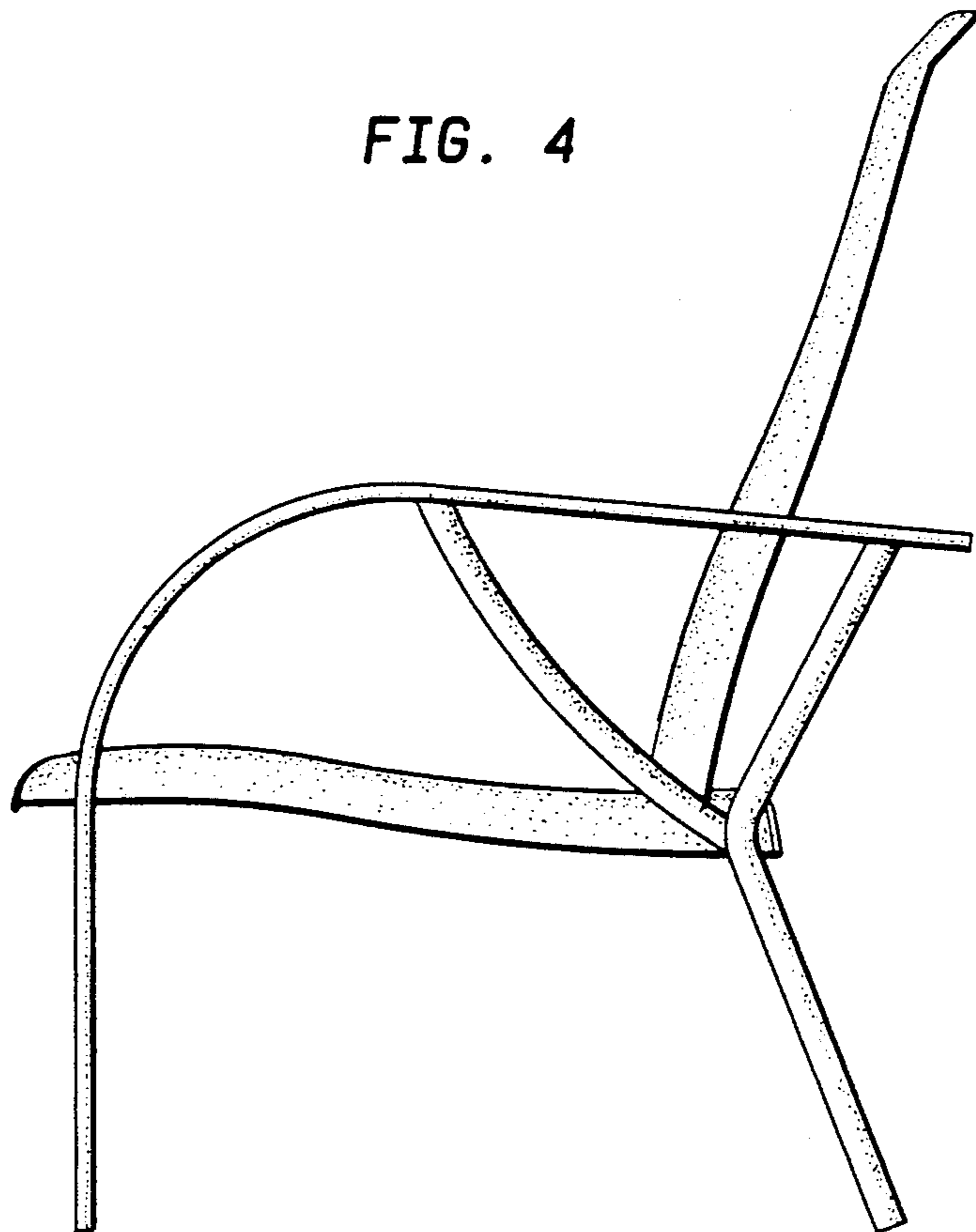


FIG. 5

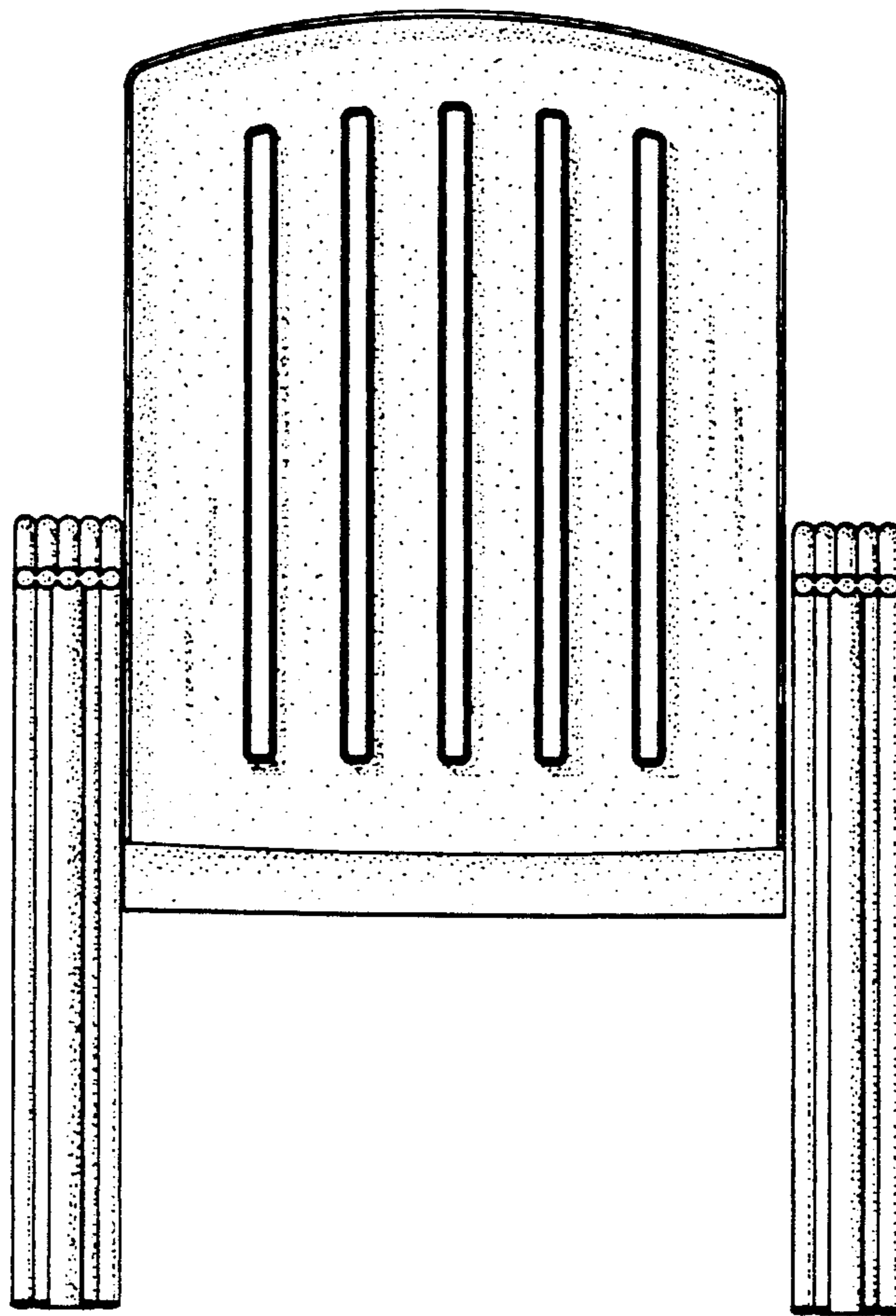


FIG. 6

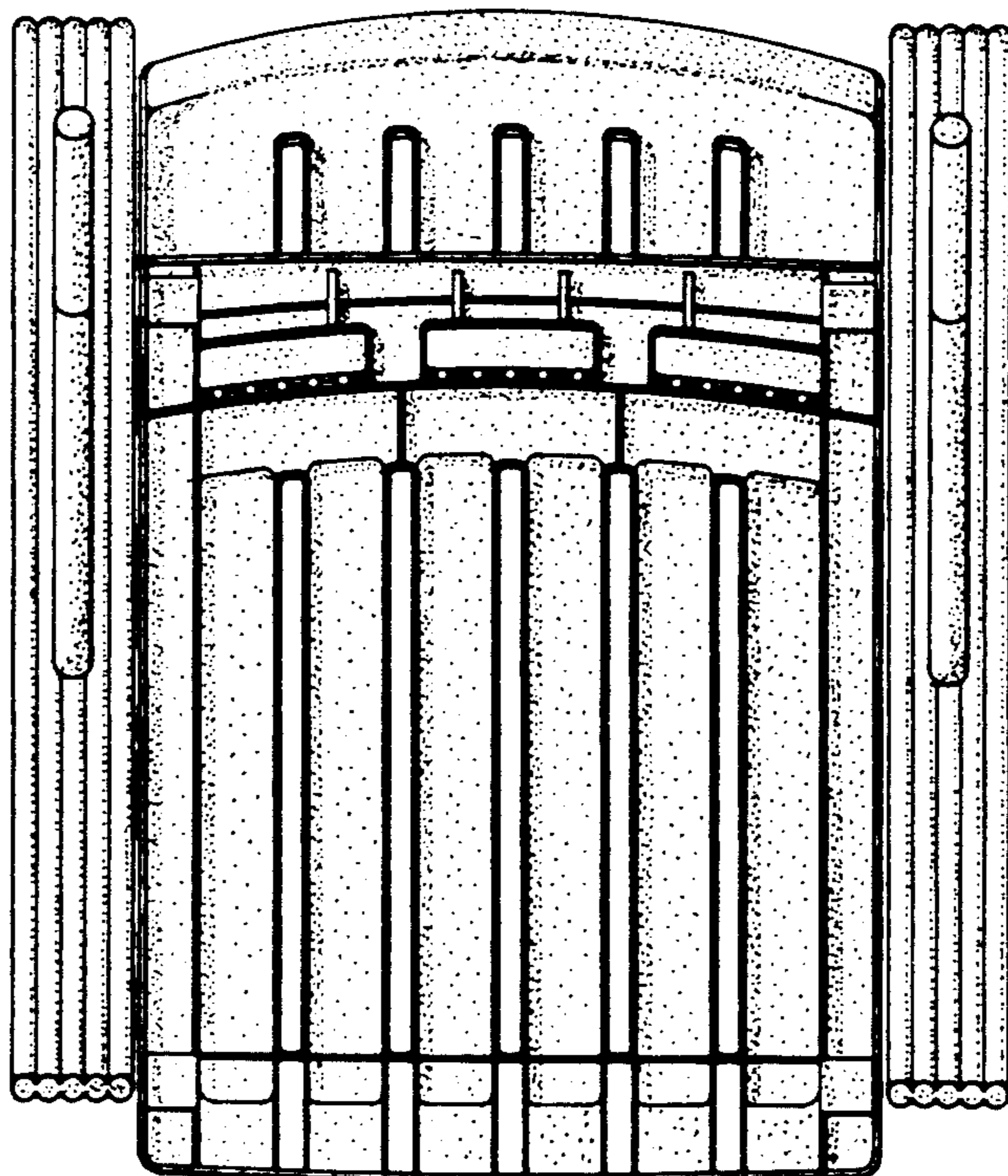


FIG. 7

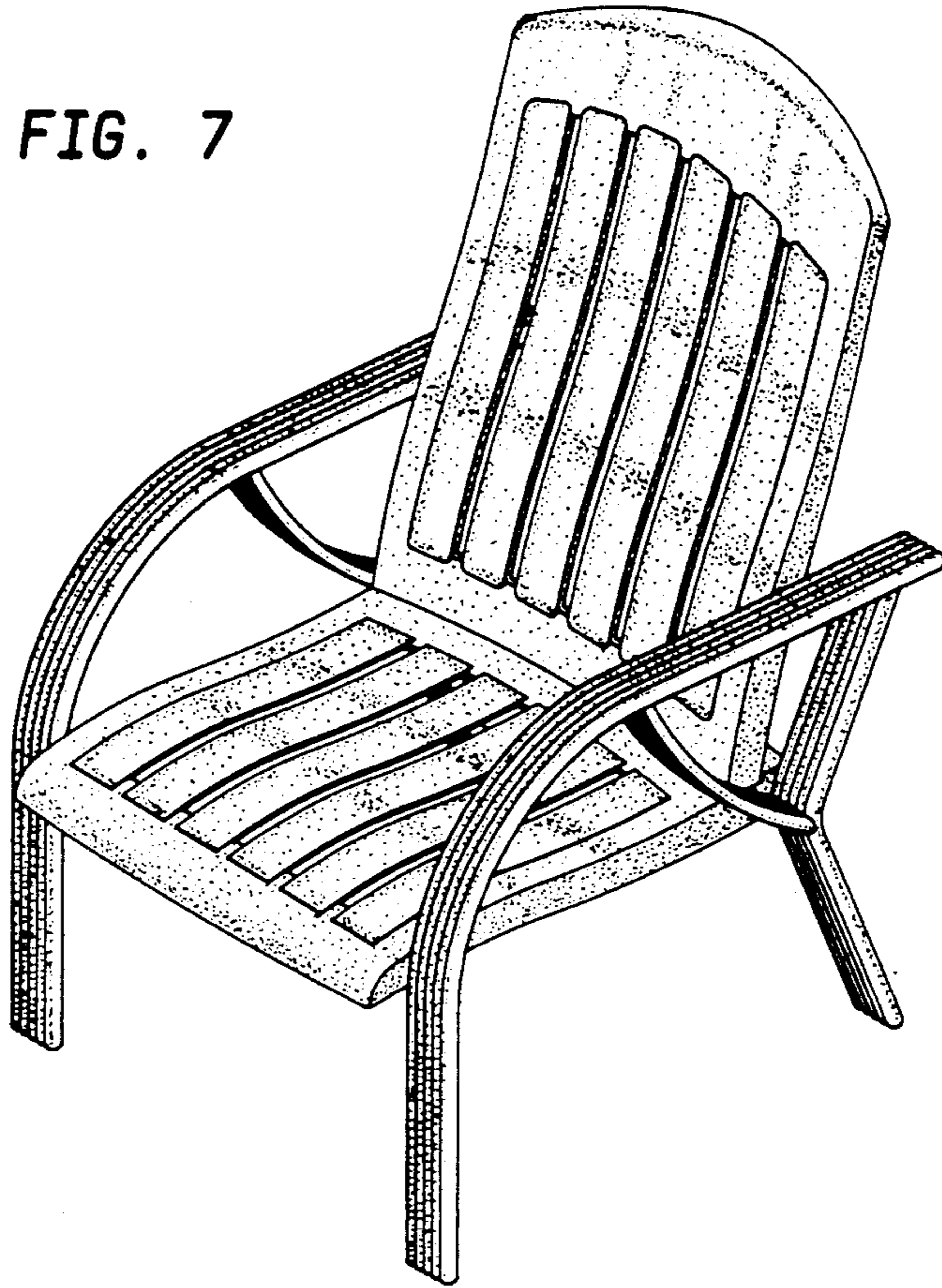


FIG. 8

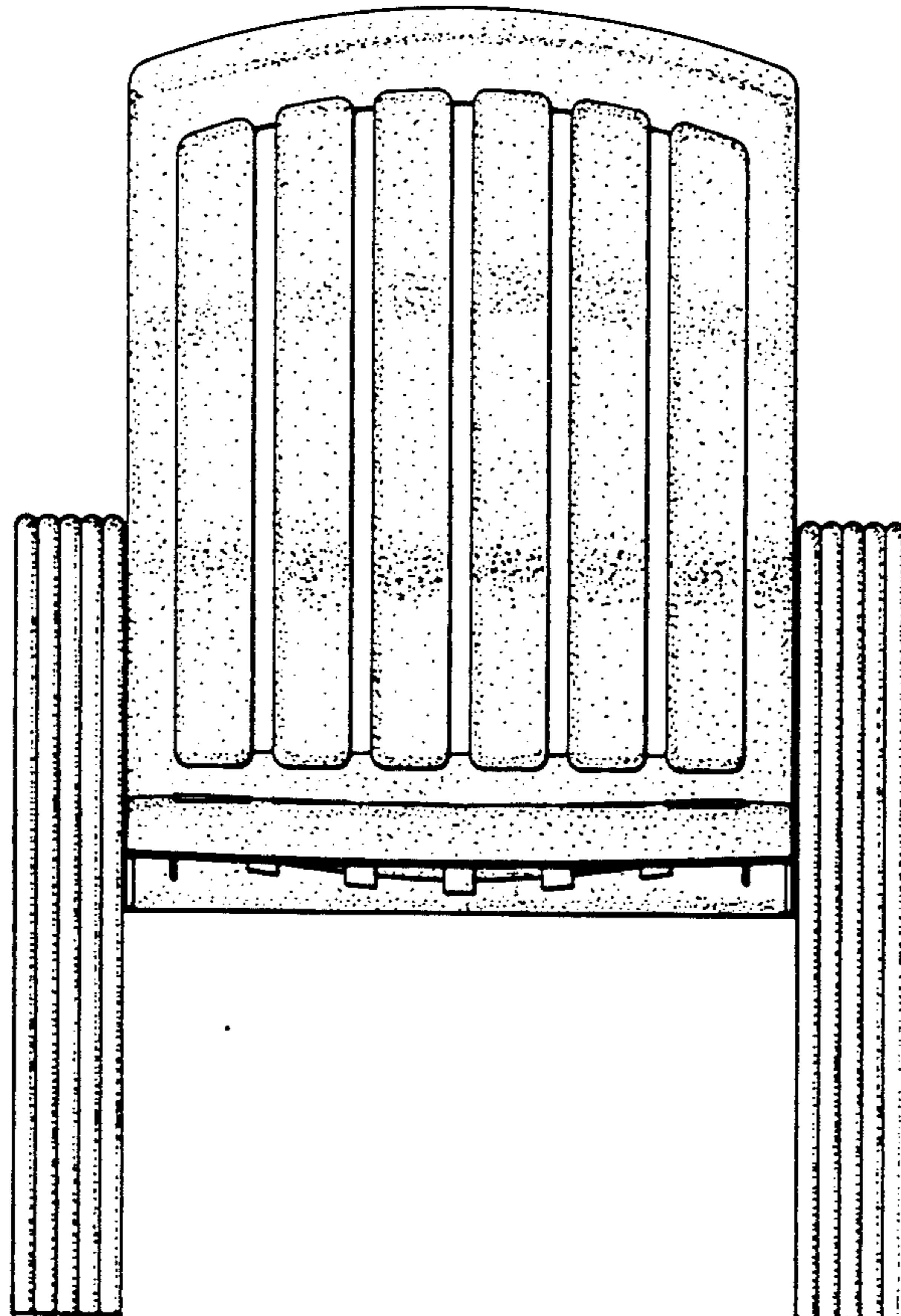


FIG. 9

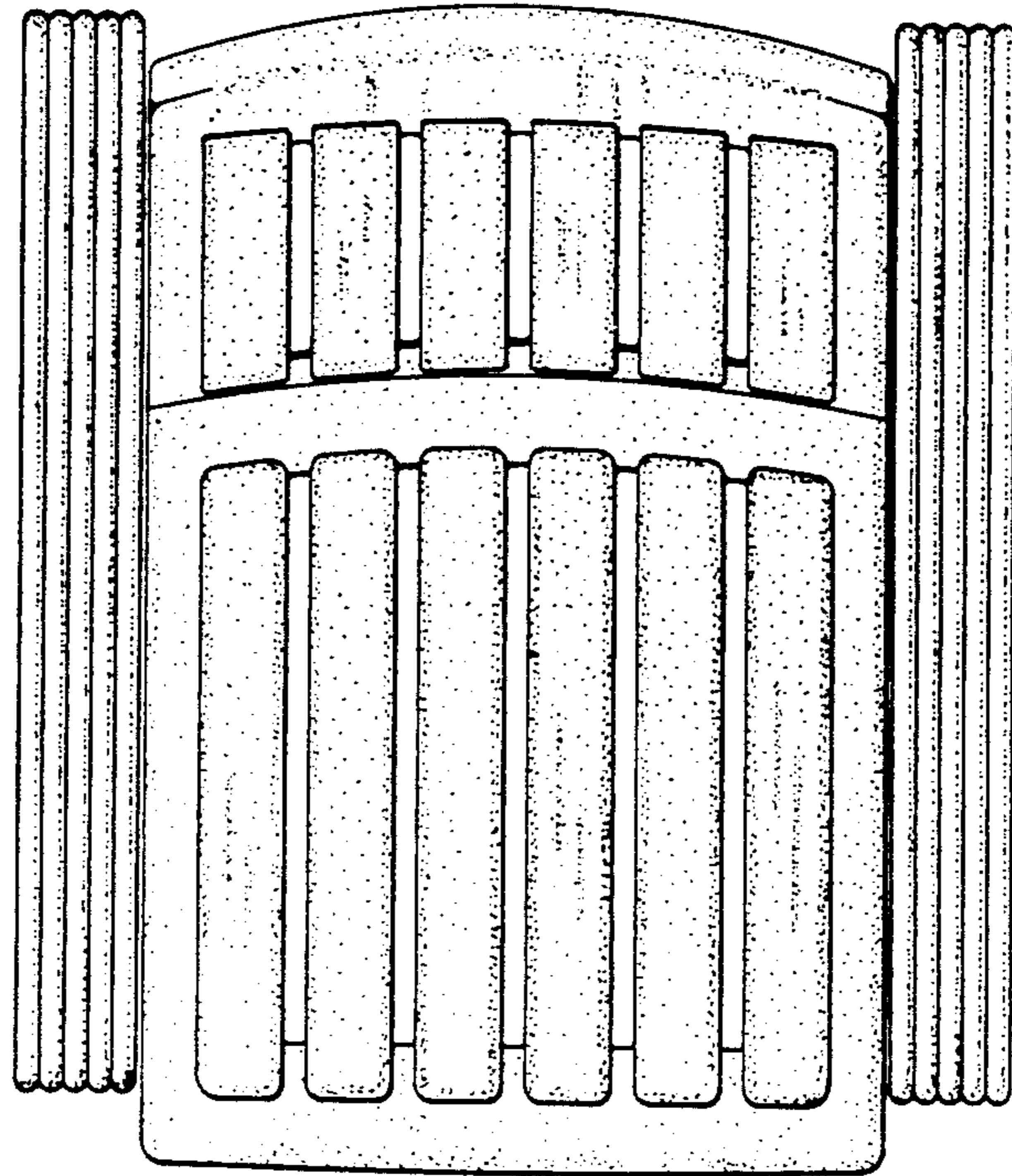


FIG. 10

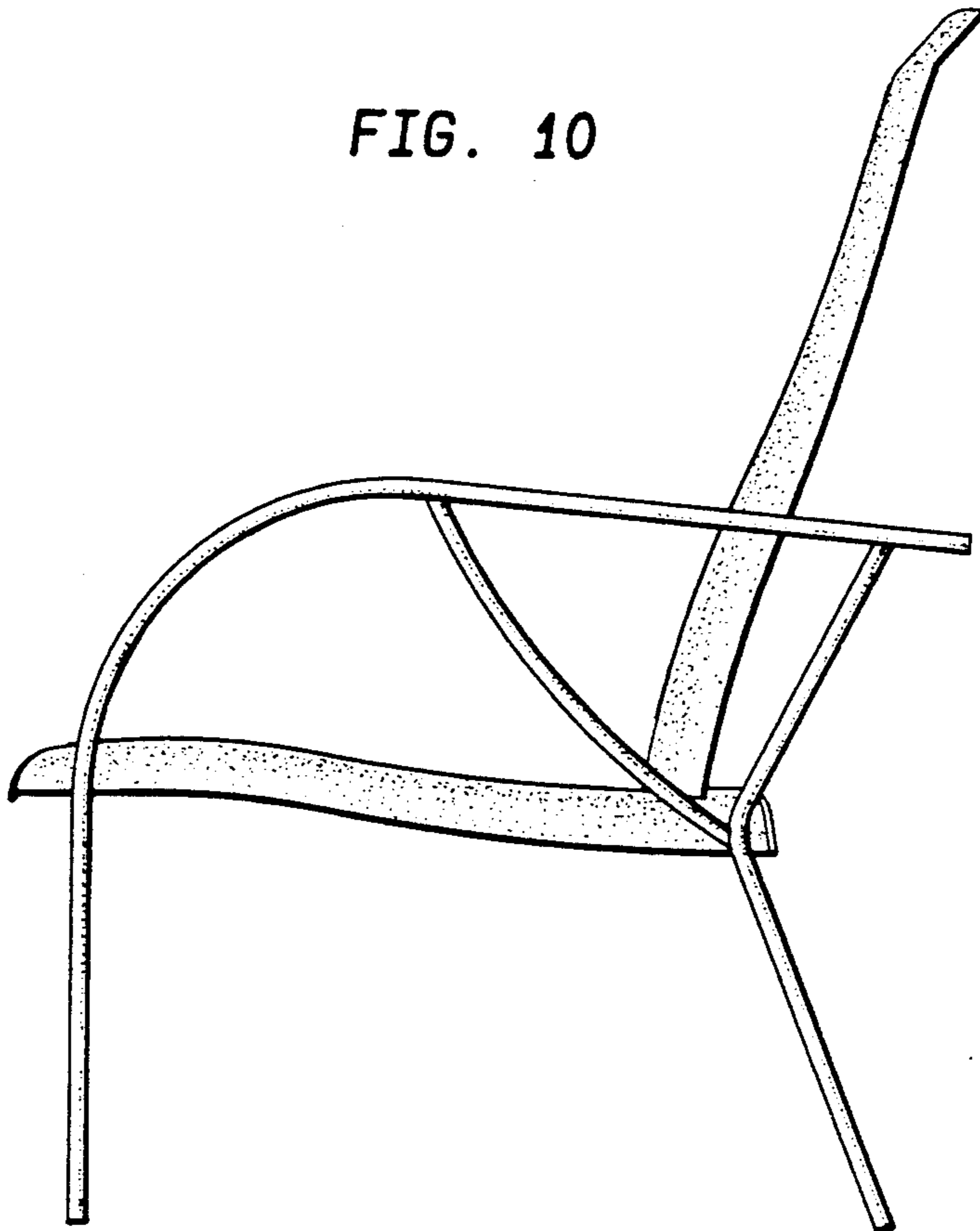


FIG. 11

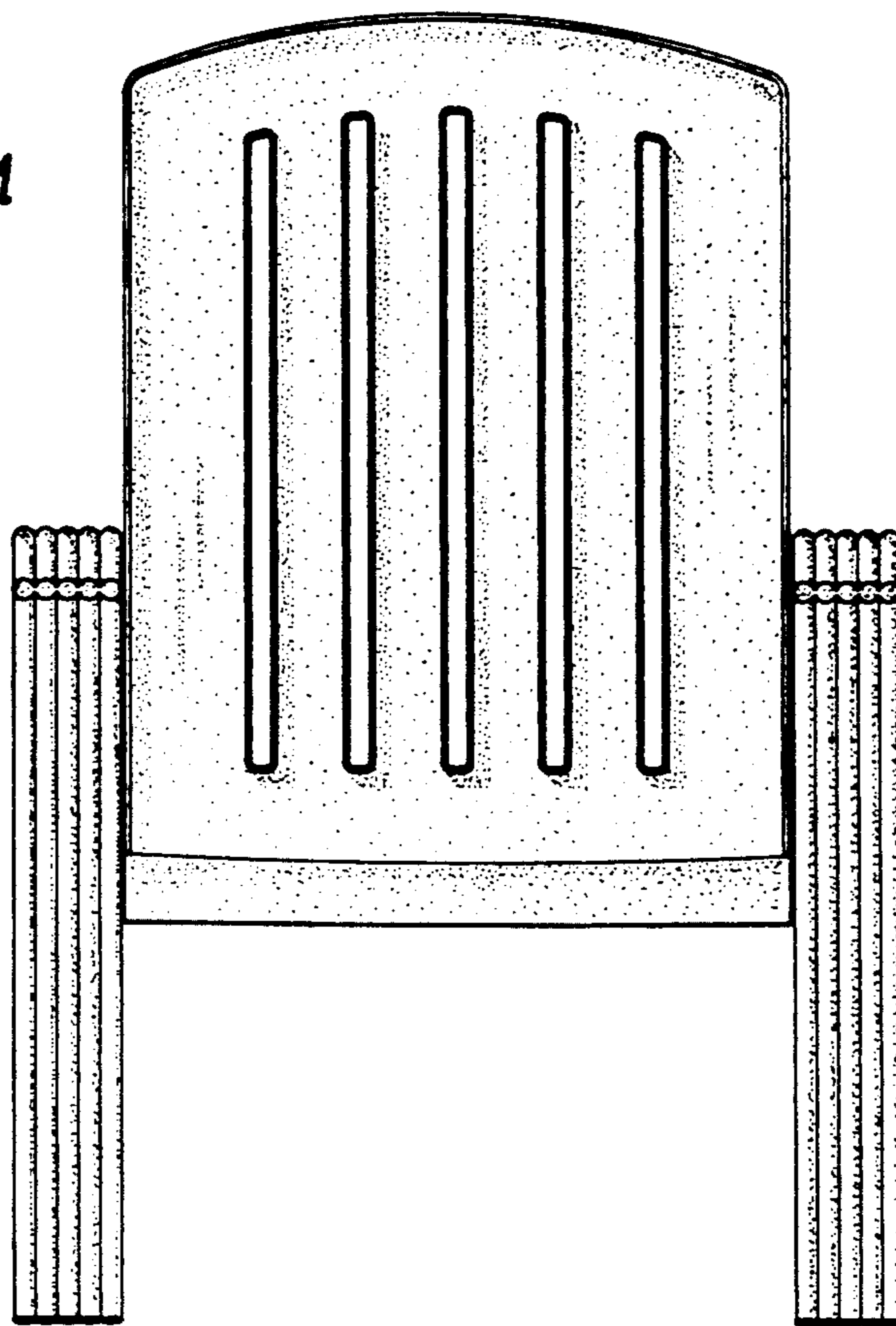


FIG. 12

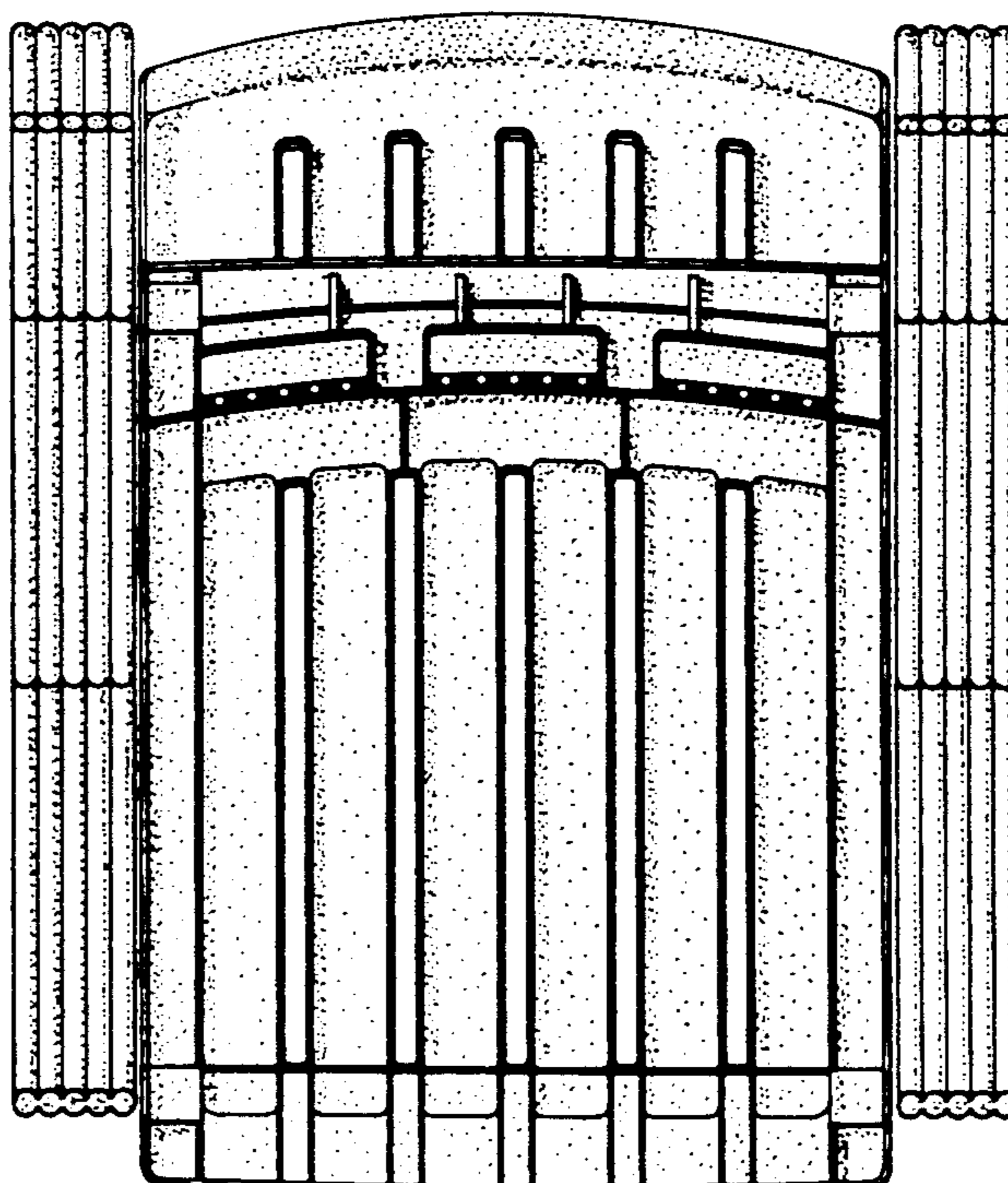


FIG. 13

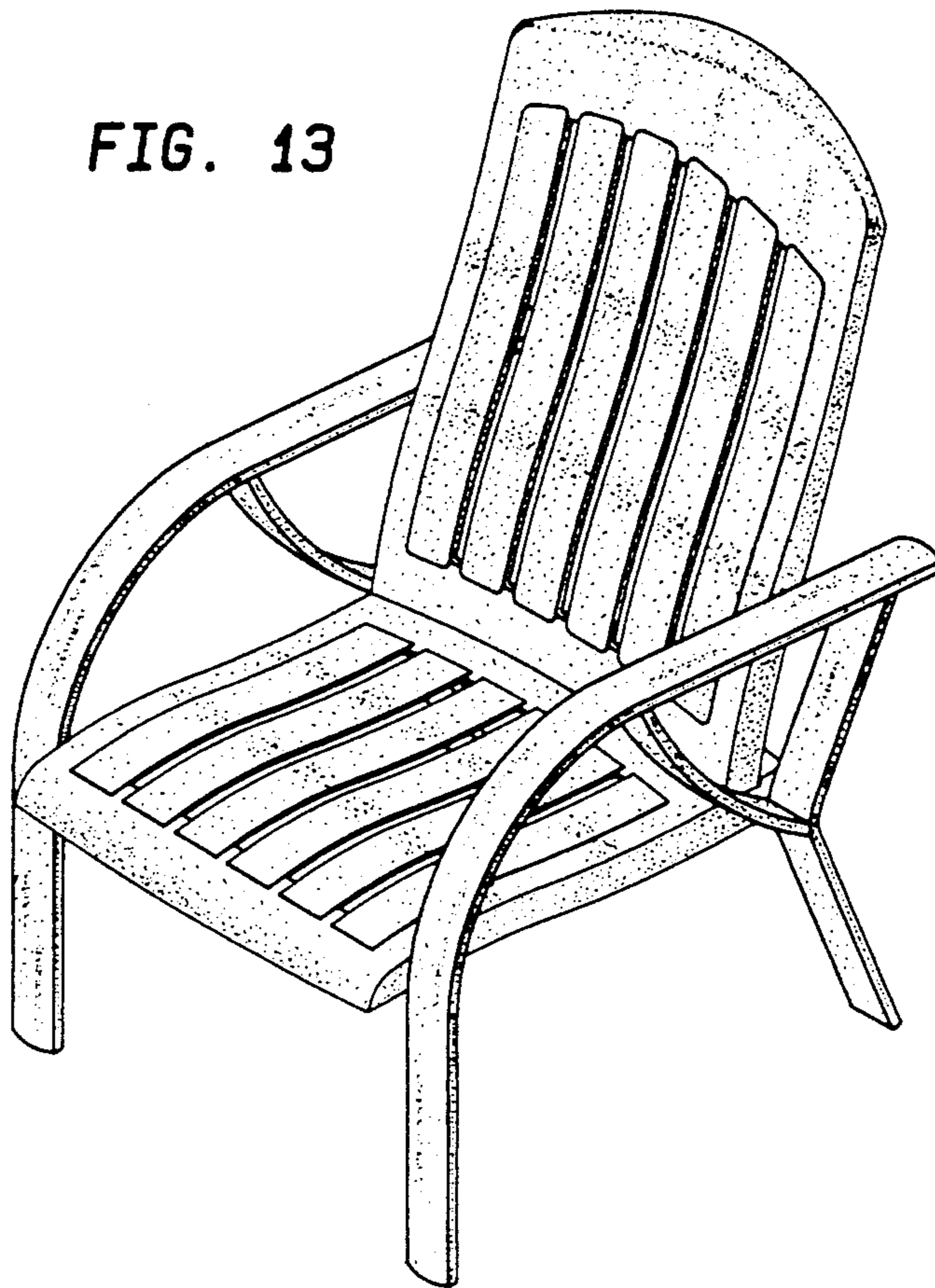


FIG. 14

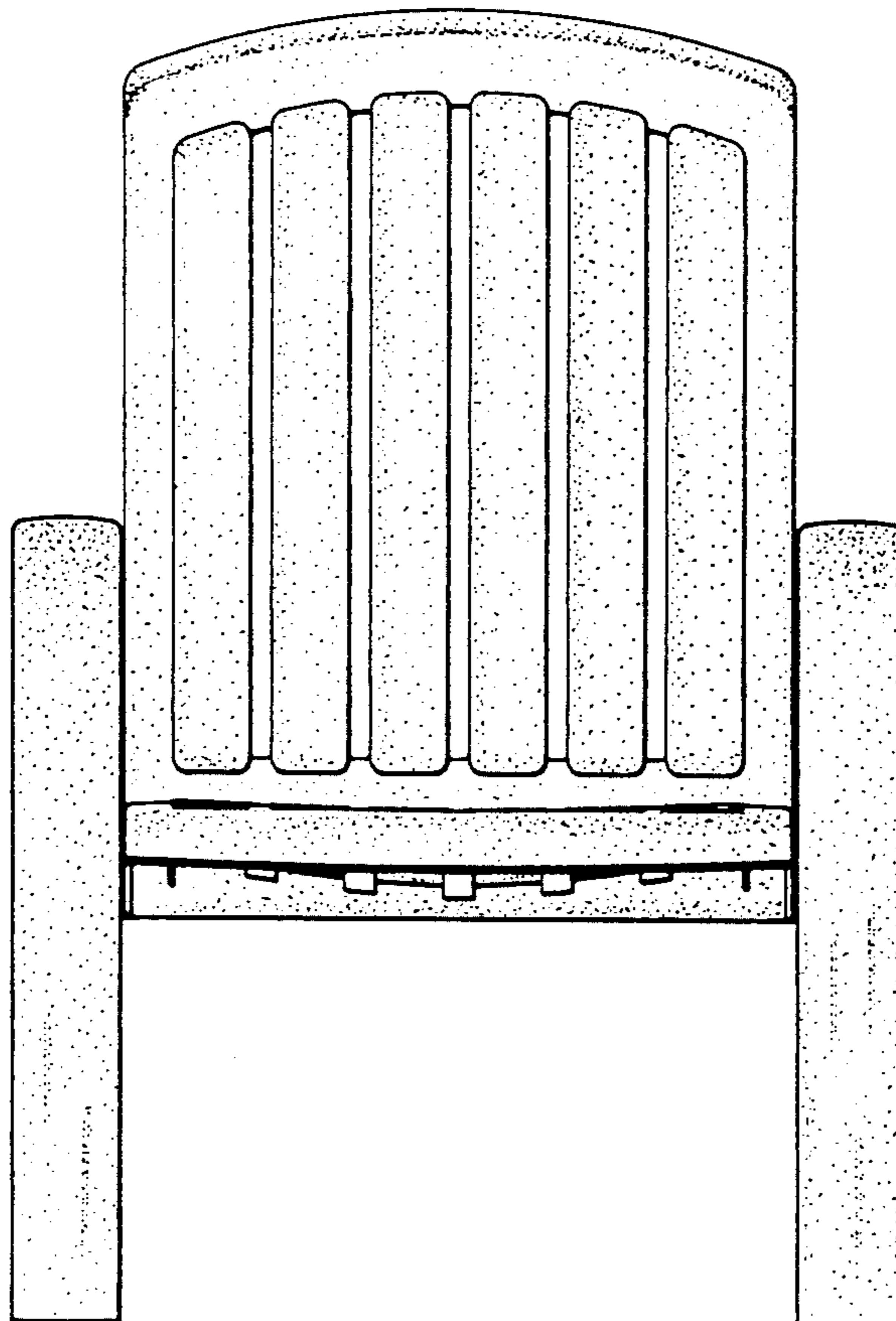


FIG. 15

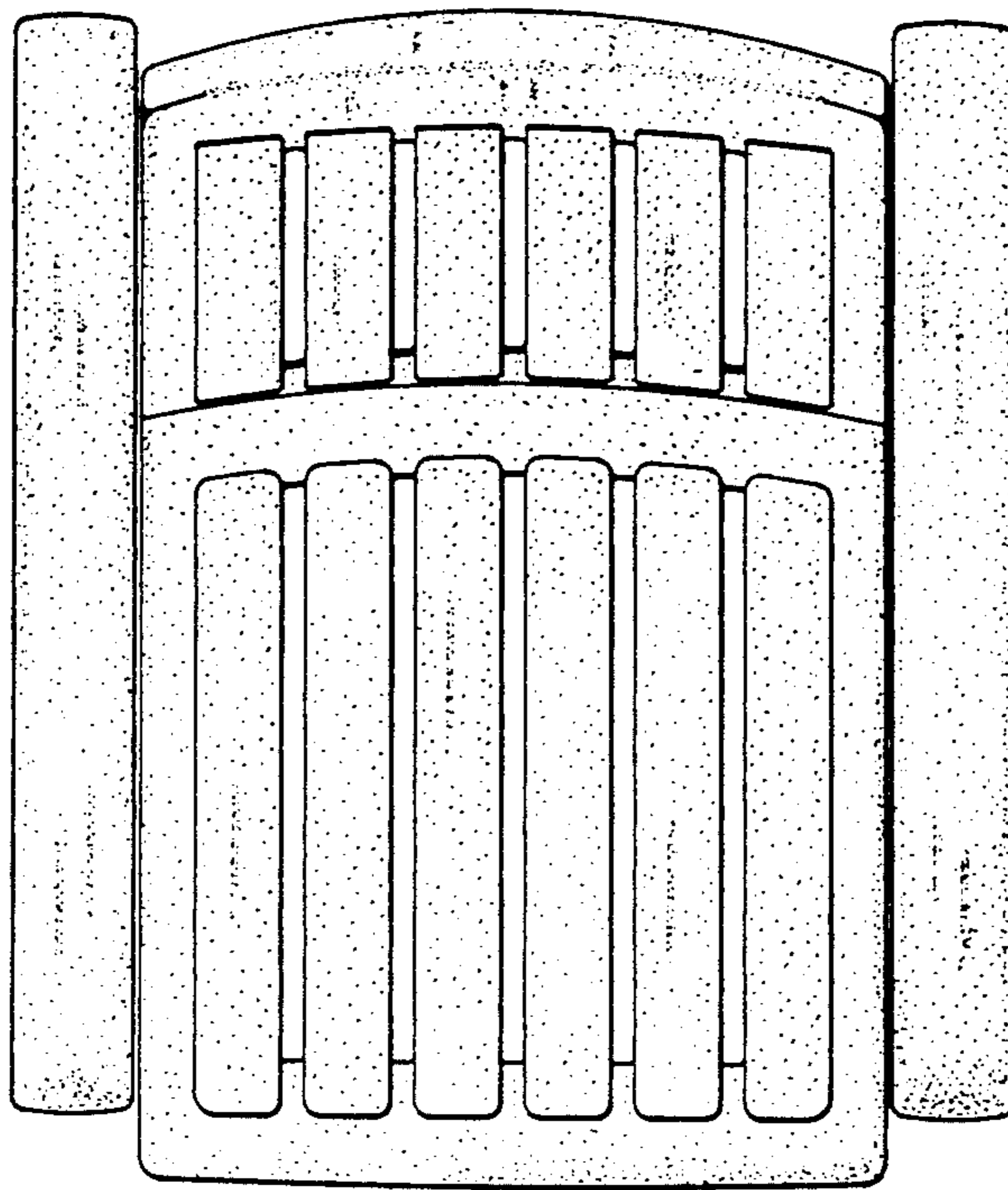


FIG. 16

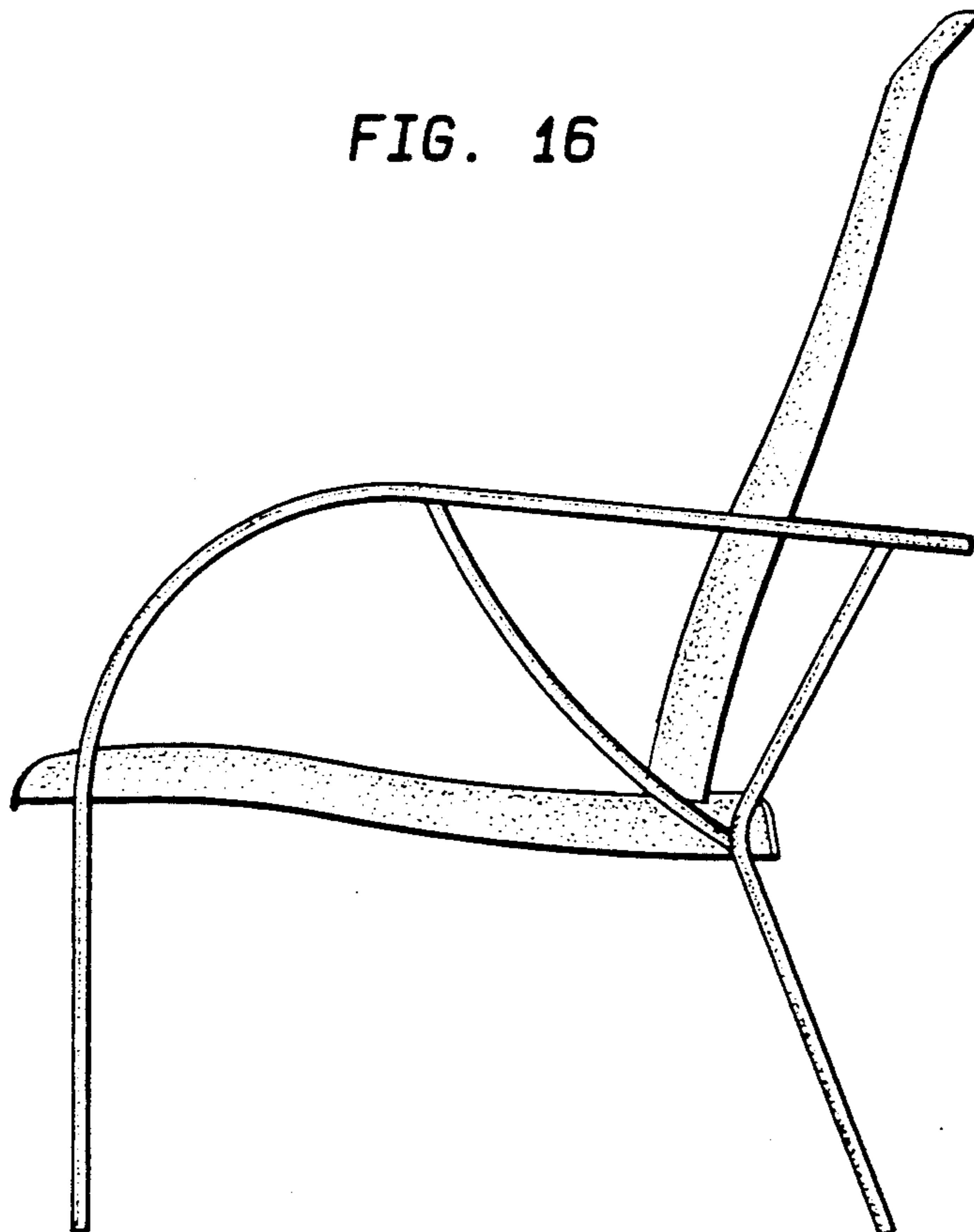


FIG. 17

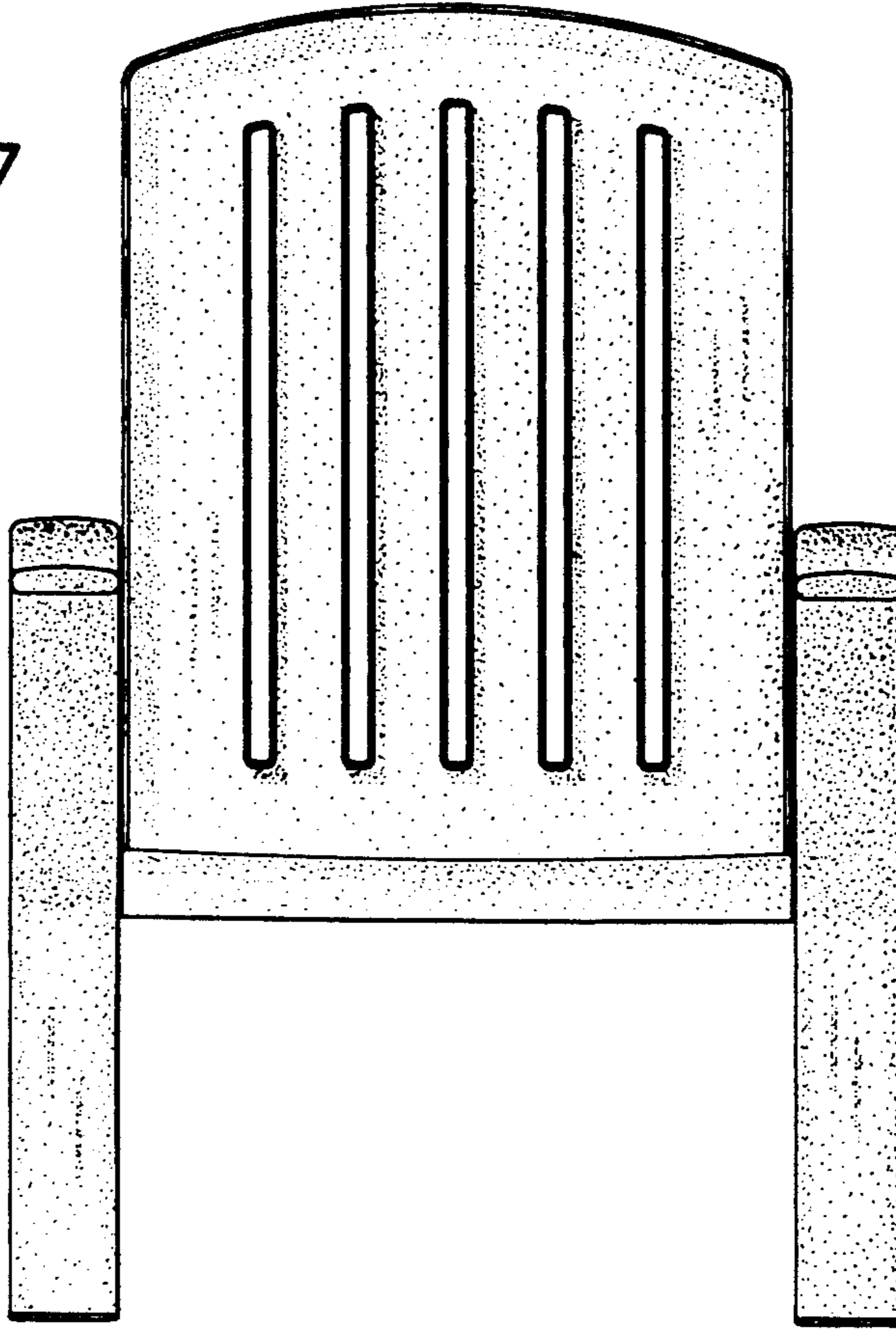


FIG. 18

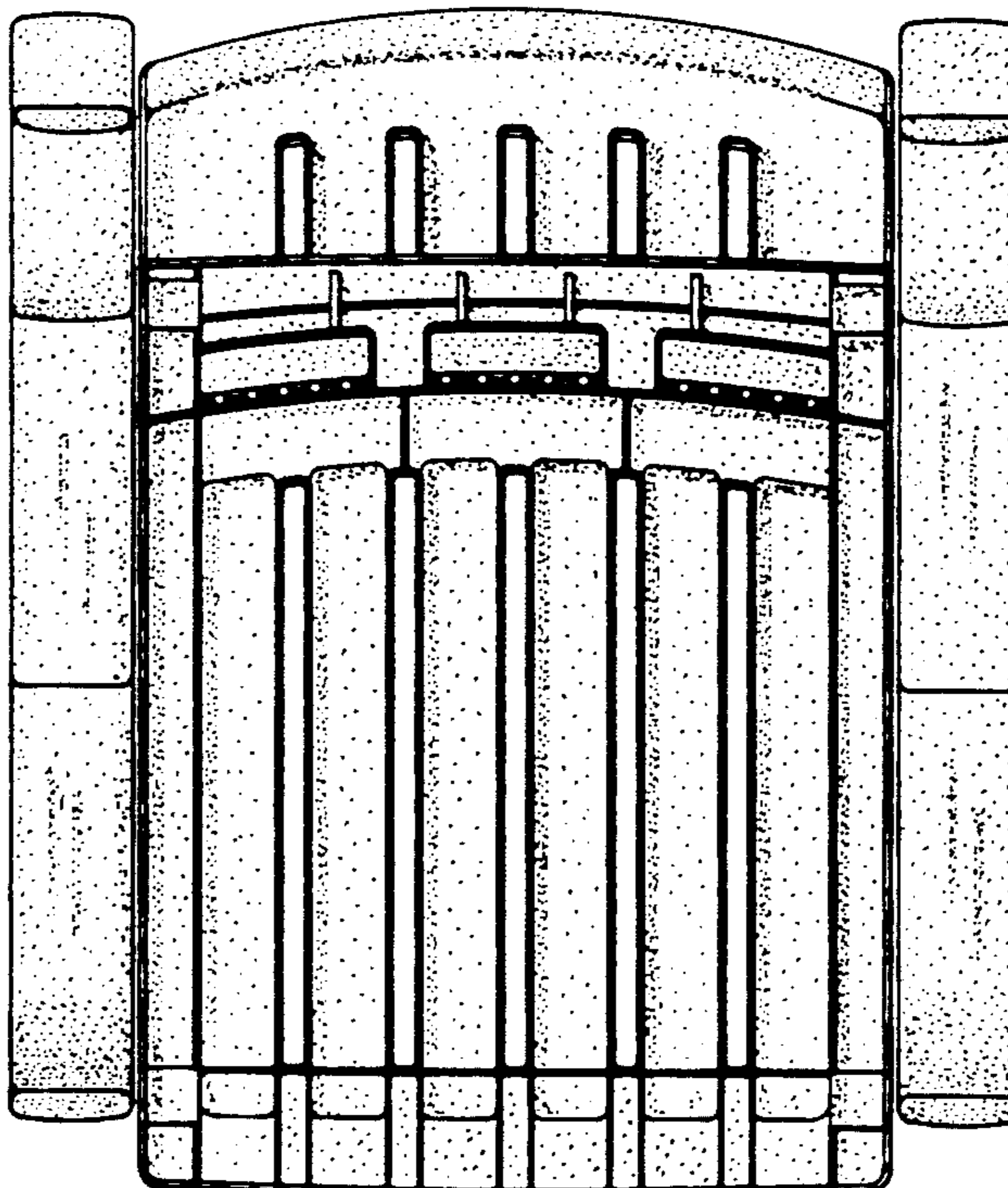


FIG. 19

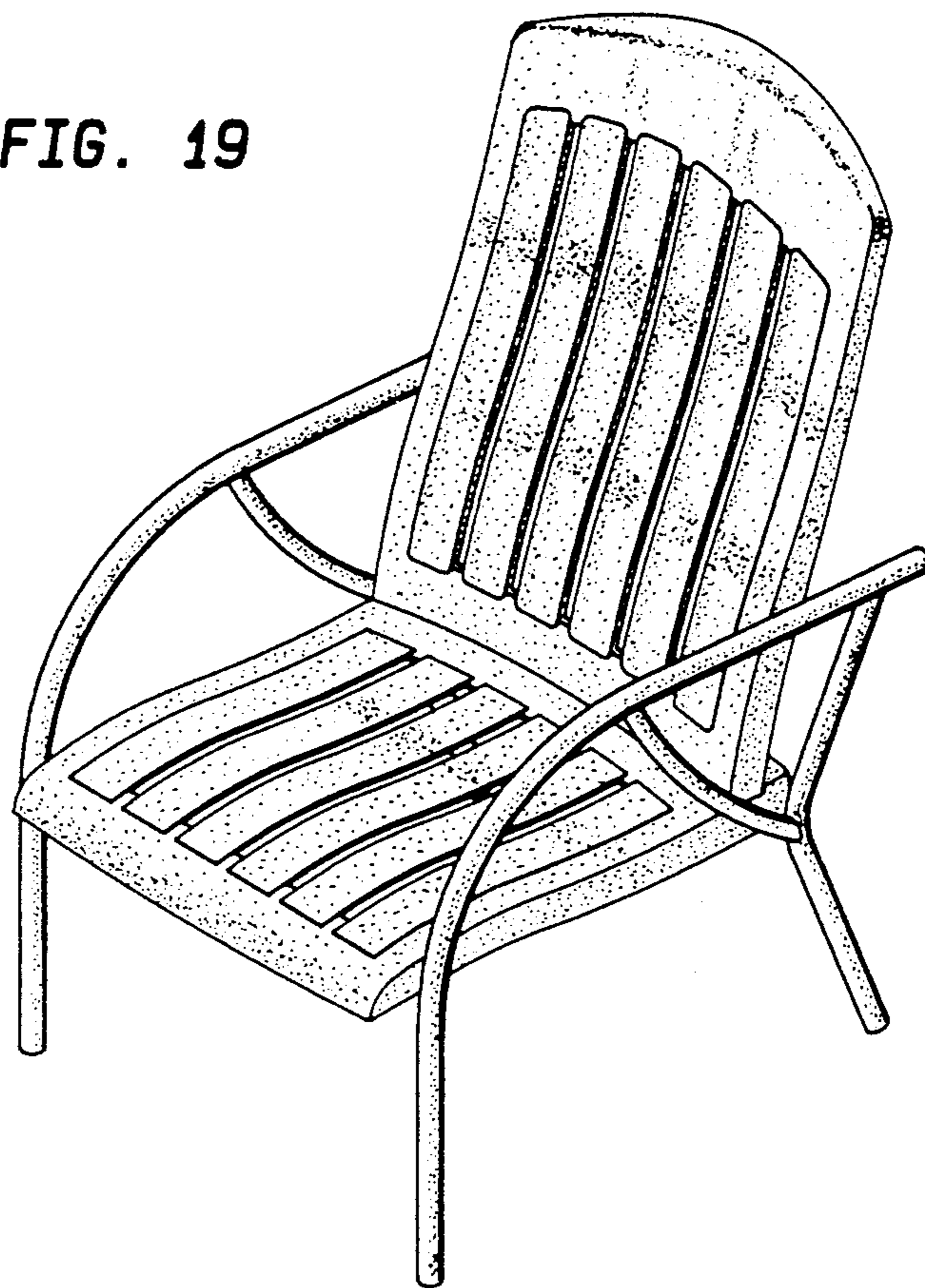


FIG. 20

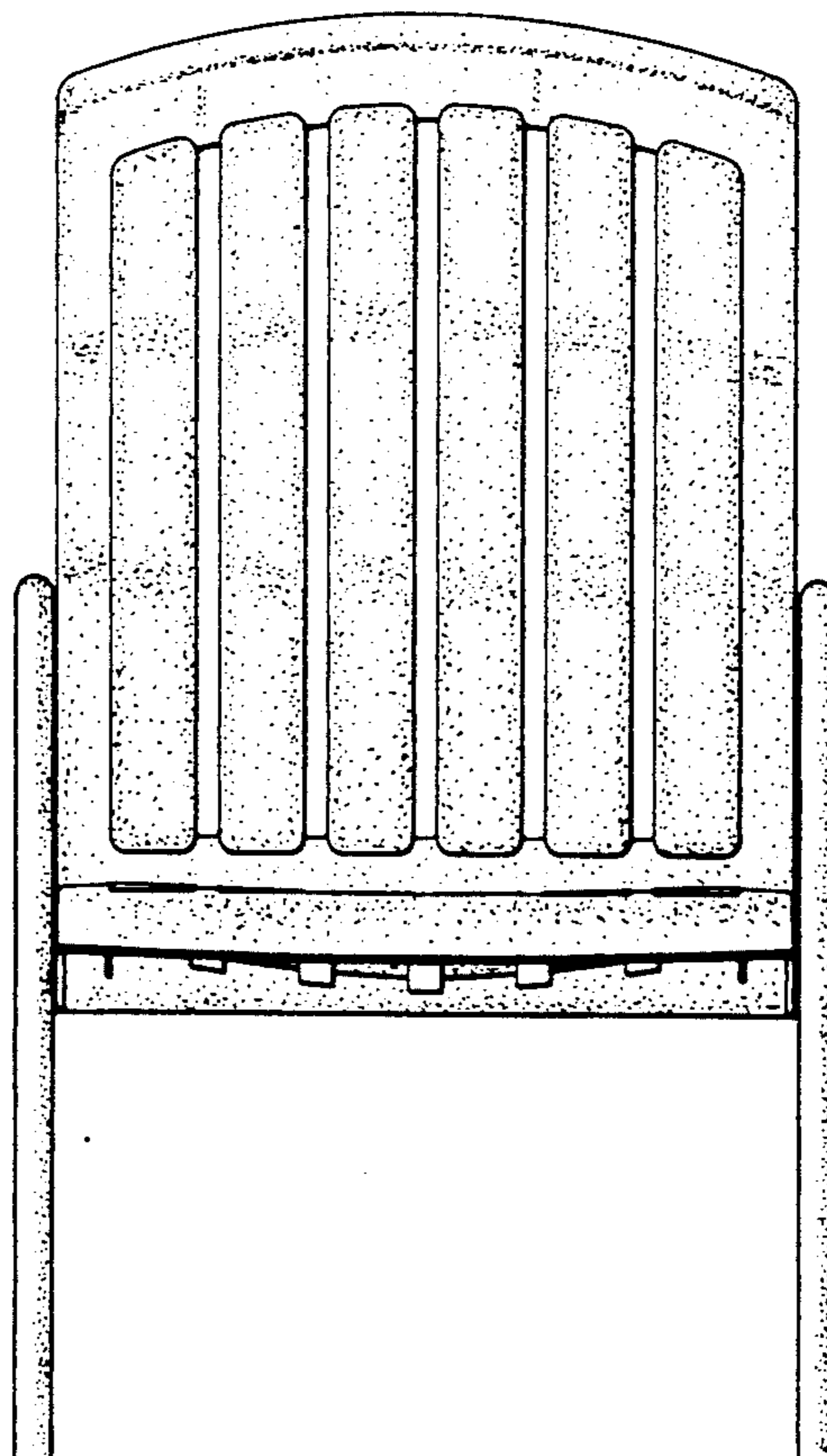


FIG. 21

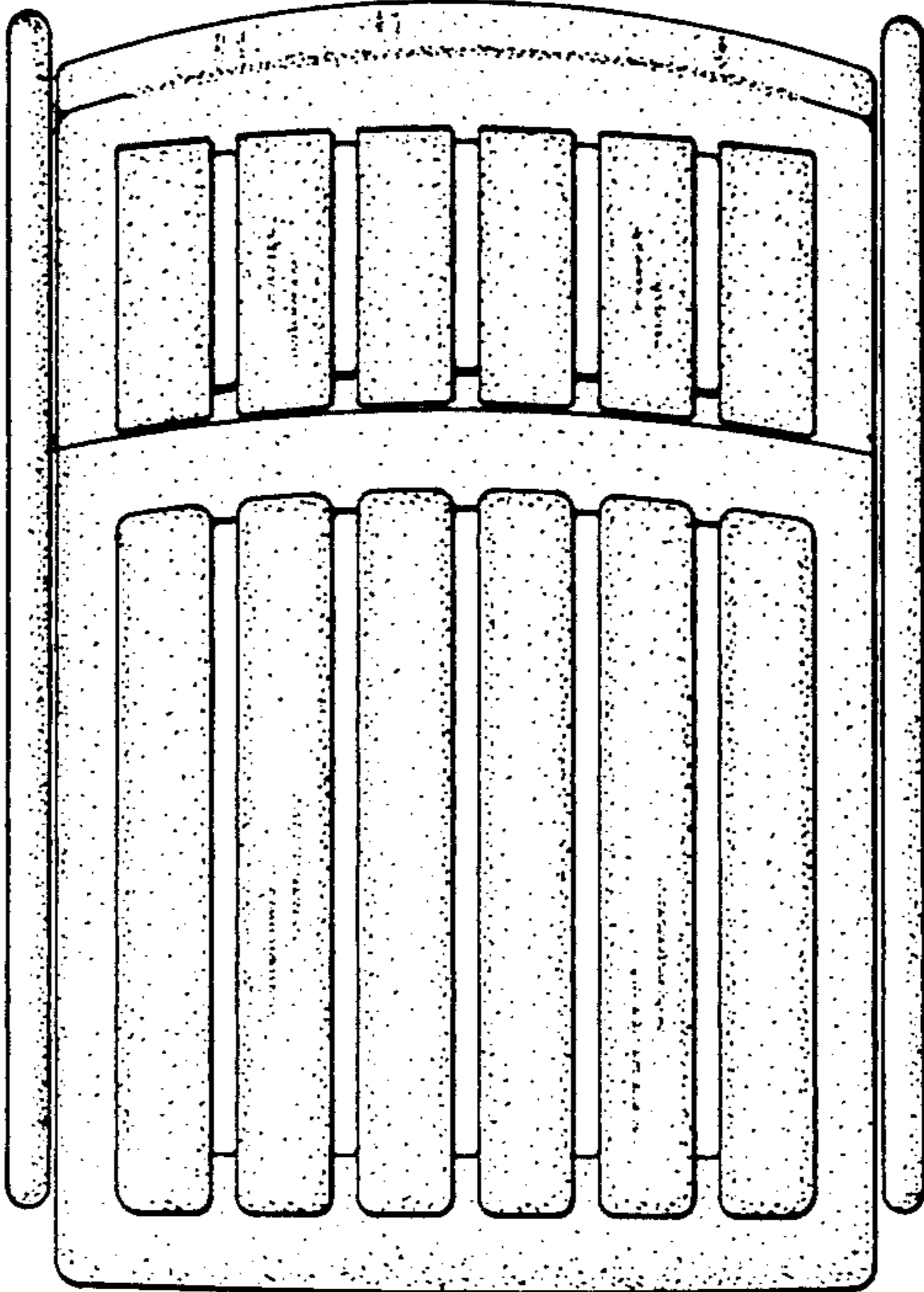


FIG. 22

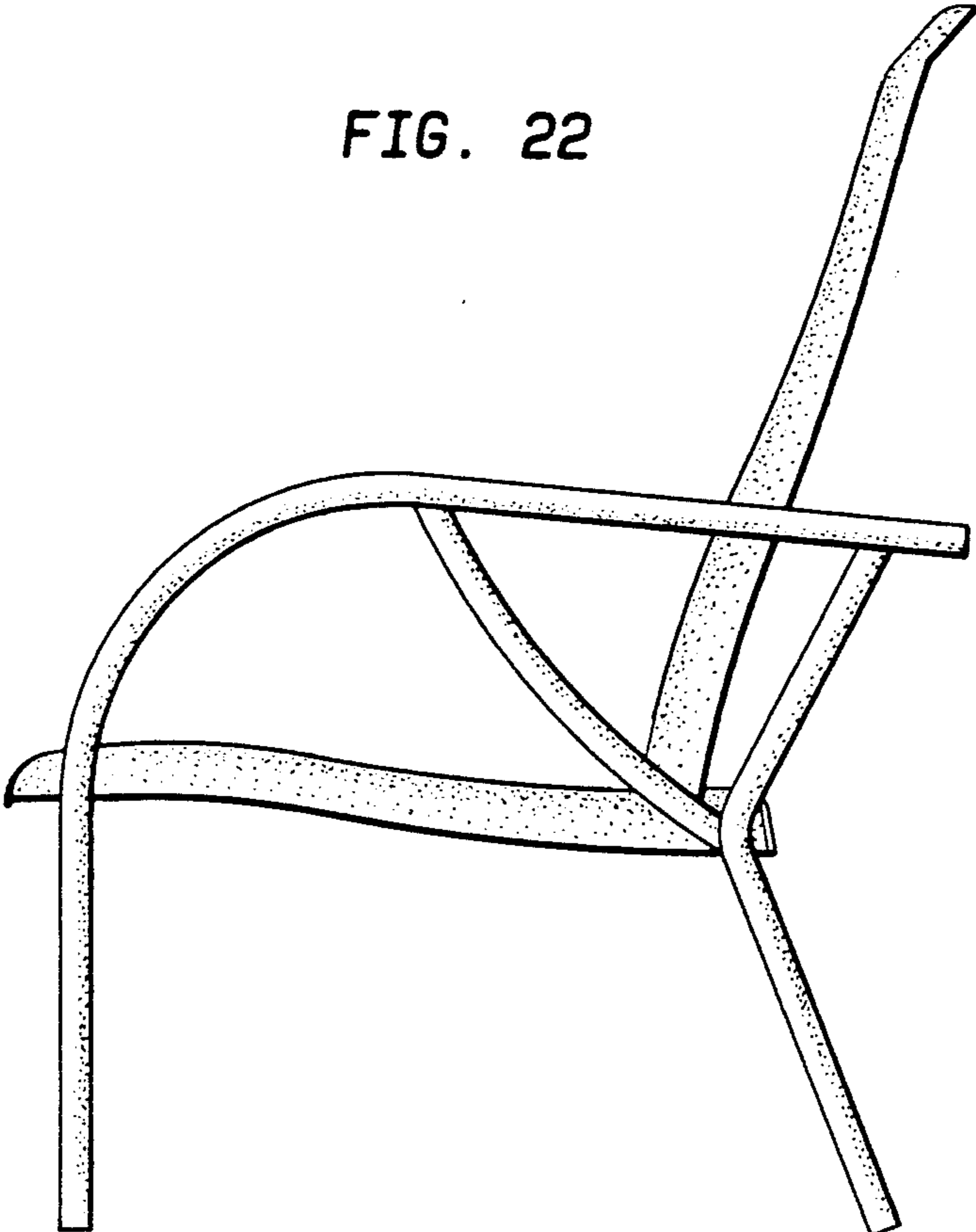


FIG. 23

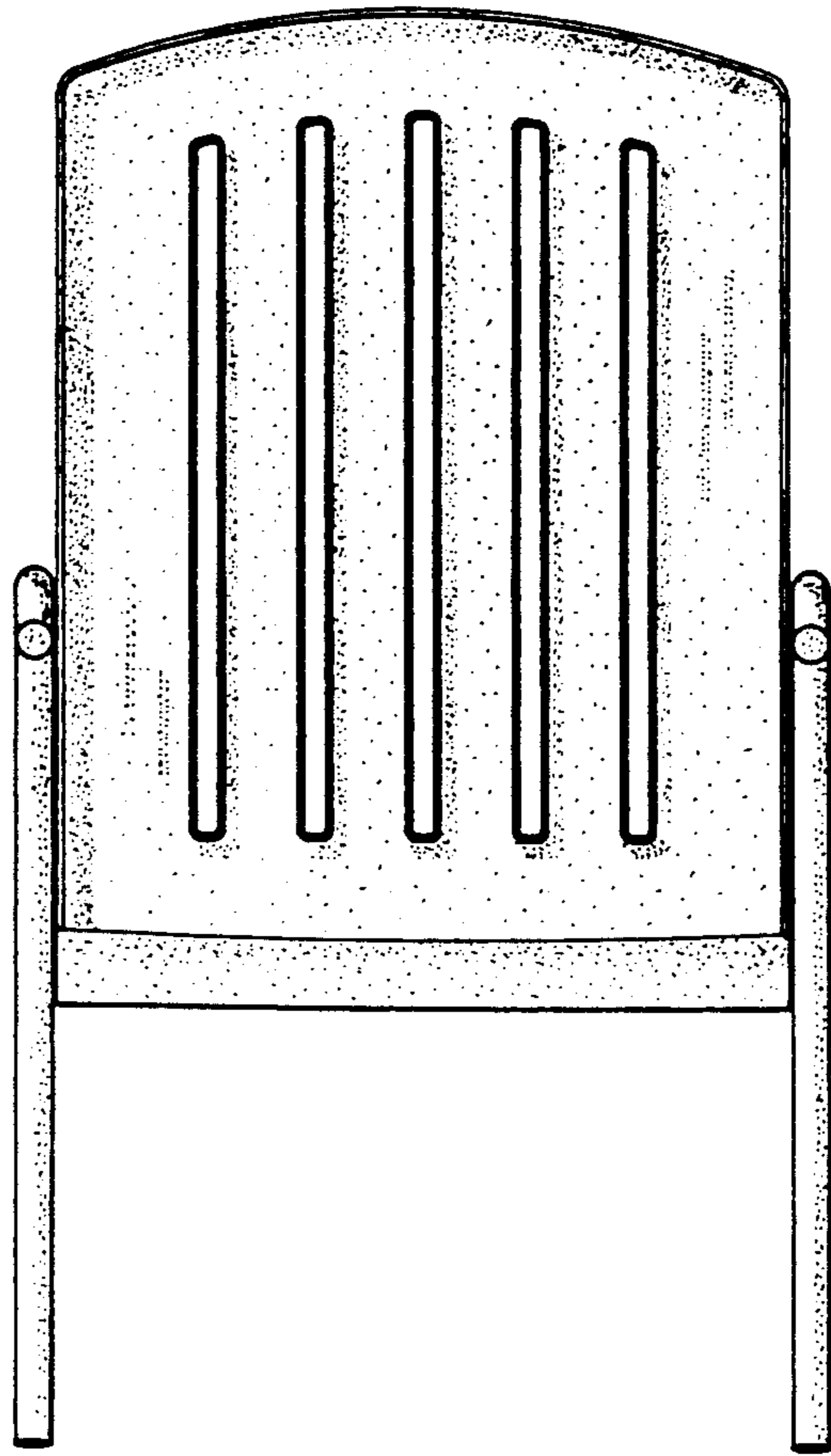


FIG. 24

