



US00D341031S

United States Patent [19]

Burkhart

[11] Patent Number: **Des. 341,031**

[45] Date of Patent: **** Nov. 9, 1993**

[54] **ROCKABLE FOOT ROCKER**

[76] Inventor: **Emily R. Burkhart**, 35 S. Virginia Ave., Apt. 412, Atlantic City, N.J. 08401

[**] Term: **14 Years**

[21] Appl. No.: **914,606**

[22] Filed: **Jul. 16, 1992**

[52] U.S. Cl. **D6/349; D6/348; D6/501**

[58] Field of Search **D6/334, 345, 348, 349, D6/350, 351, 355, 500, 501, 502; 297/258, 439**

[56] **References Cited**

U.S. PATENT DOCUMENTS

D. 60,621	3/1922	Marra	D6/348
D. 101,881	11/1936	McKane	D6/348
D. 139,897	1/1945	Smith	D6/349
D. 145,415	8/1946	Armstrong	D6/348
D. 192,598	4/1962	Snyder	D6/345
D. 254,279	2/1980	Phillips	D6/348
D. 259,156	5/1981	Massow	D6/348
D. 278,293	4/1985	Strang	D6/348

D. 313,521	1/1991	Hassel et al.	D6/349 X
D. 320,703	10/1991	Burkhart	D6/349
D. 326,785	6/1992	Williams	D6/406 X
D. 330,978	11/1992	Vasquez	D6/349

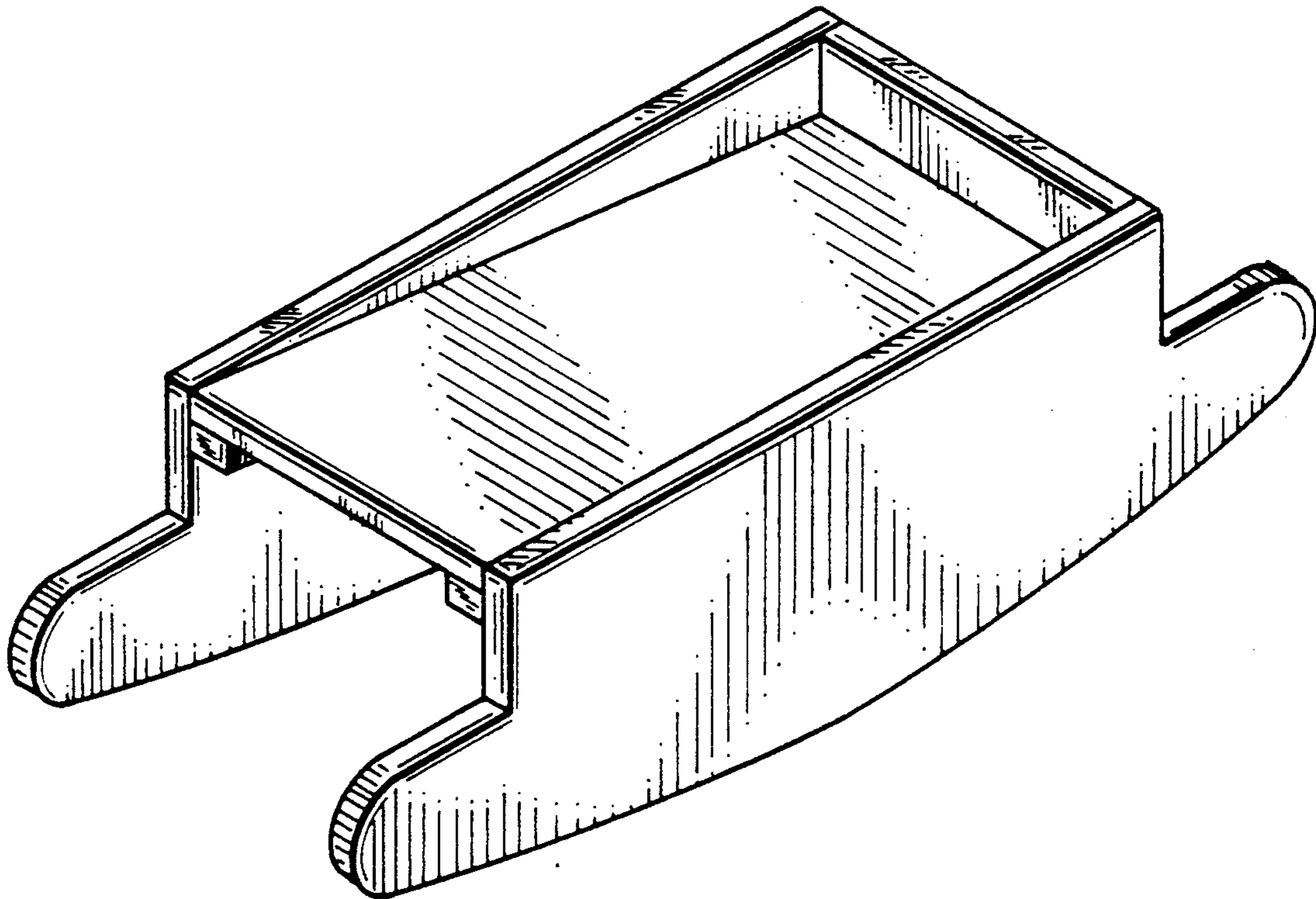
Primary Examiner—Nelson C. Holtje
Assistant Examiner—Gary D. Watson
Attorney, Agent, or Firm—Bernard J. Murphy

[57] **CLAIM**

The ornamental design for a rockable foot rocker, as shown and described.

DESCRIPTION

FIG. 1 is a perspective view of a rockable foot rocker, showing my new design;
FIG. 2 is a top plan view;
FIG. 3 is a bottom plan view;
FIG. 4 is a side elevational view, the opposite side (not shown) being a mirror image thereof;
FIG. 5 is an end elevational view, taken from the right of FIG. 2; and,
FIG. 6 is an end elevational view, taken from the left of FIG. 2.
FIGS. 2-6 have been drawn to a reduced scale with respect to FIG. 1.



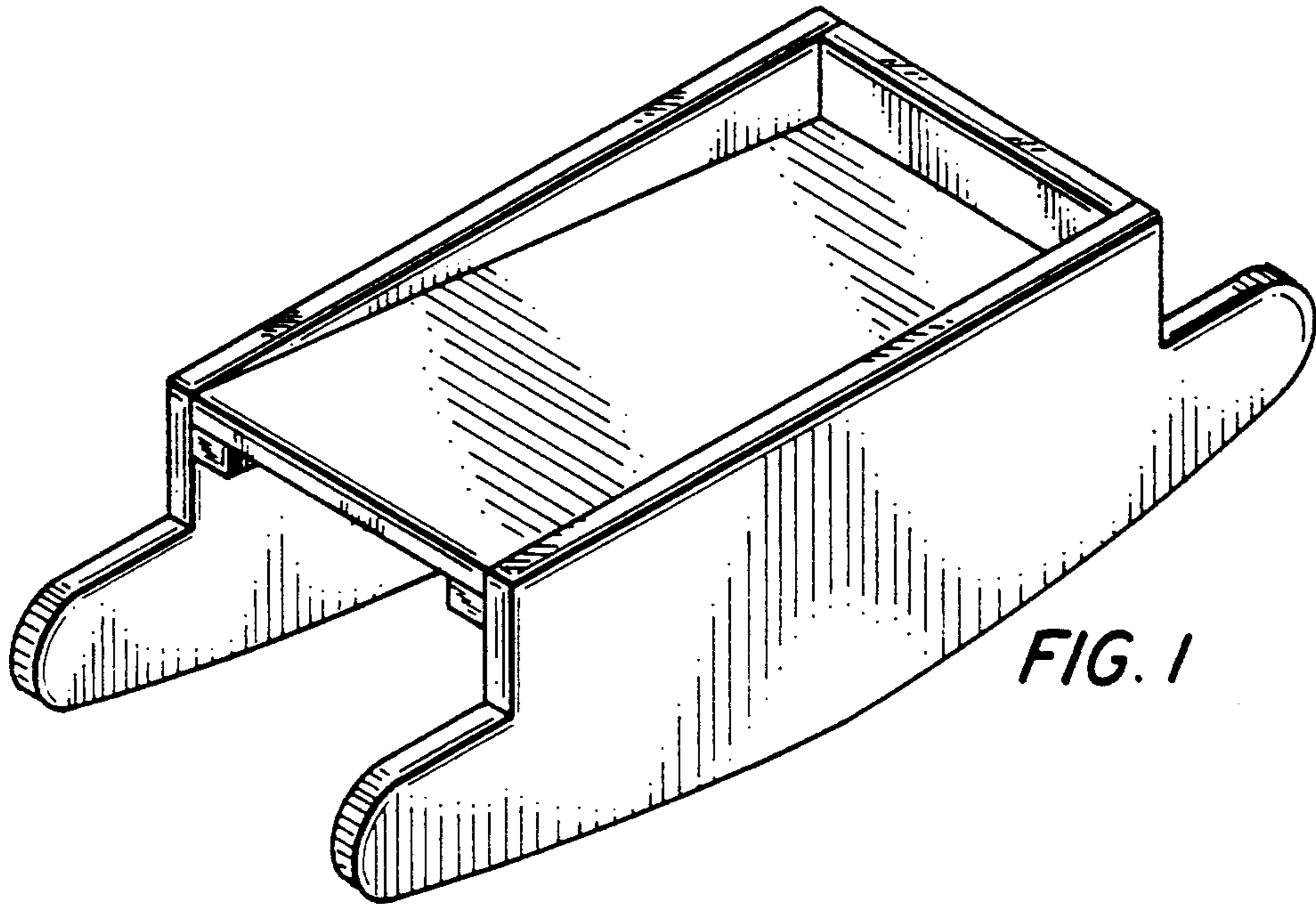


FIG. 1

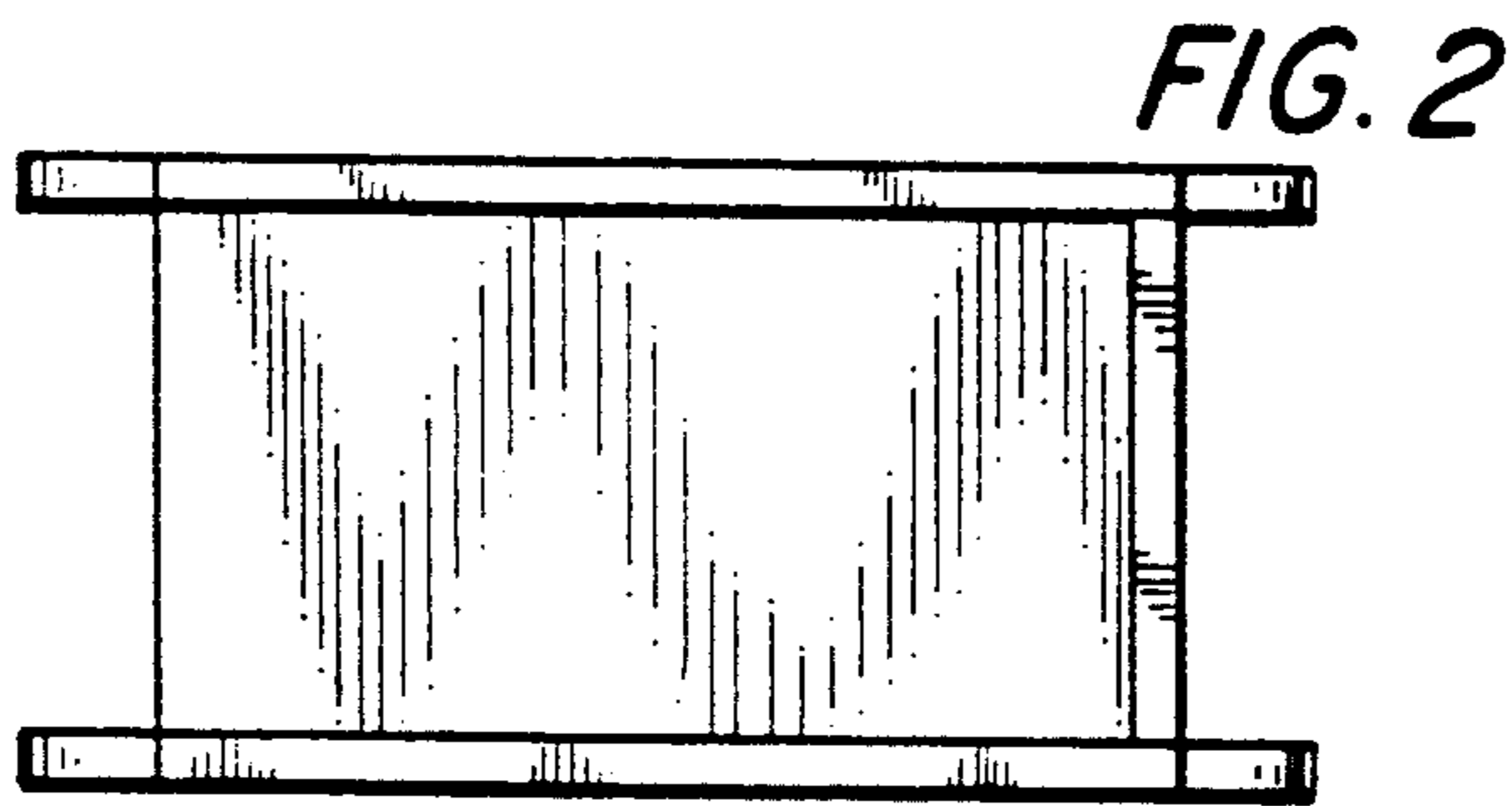


FIG. 2

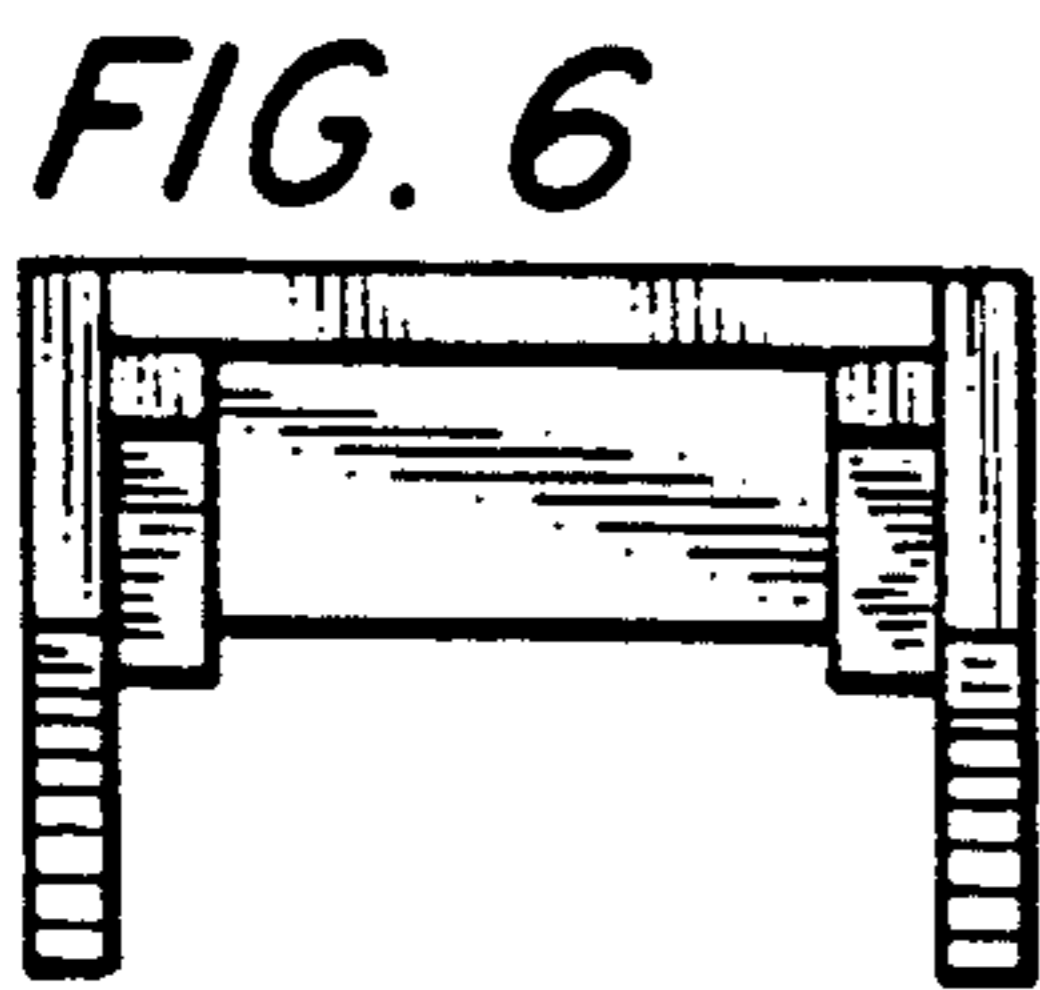


FIG. 6

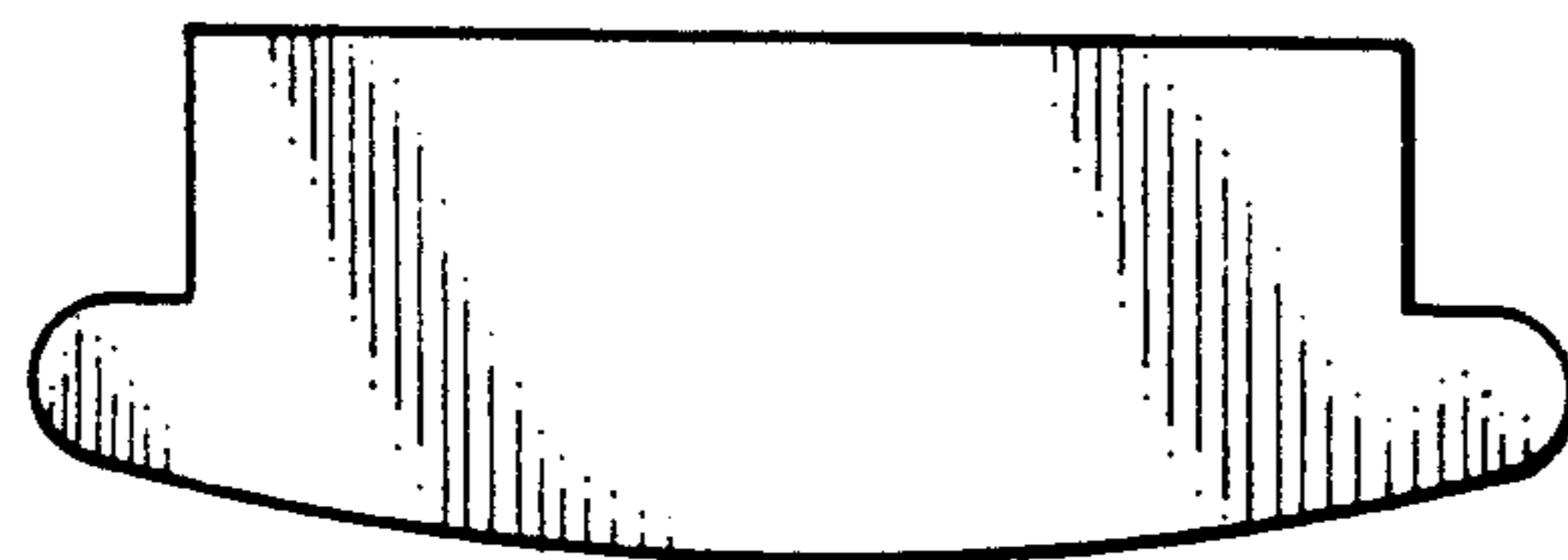


FIG. 4

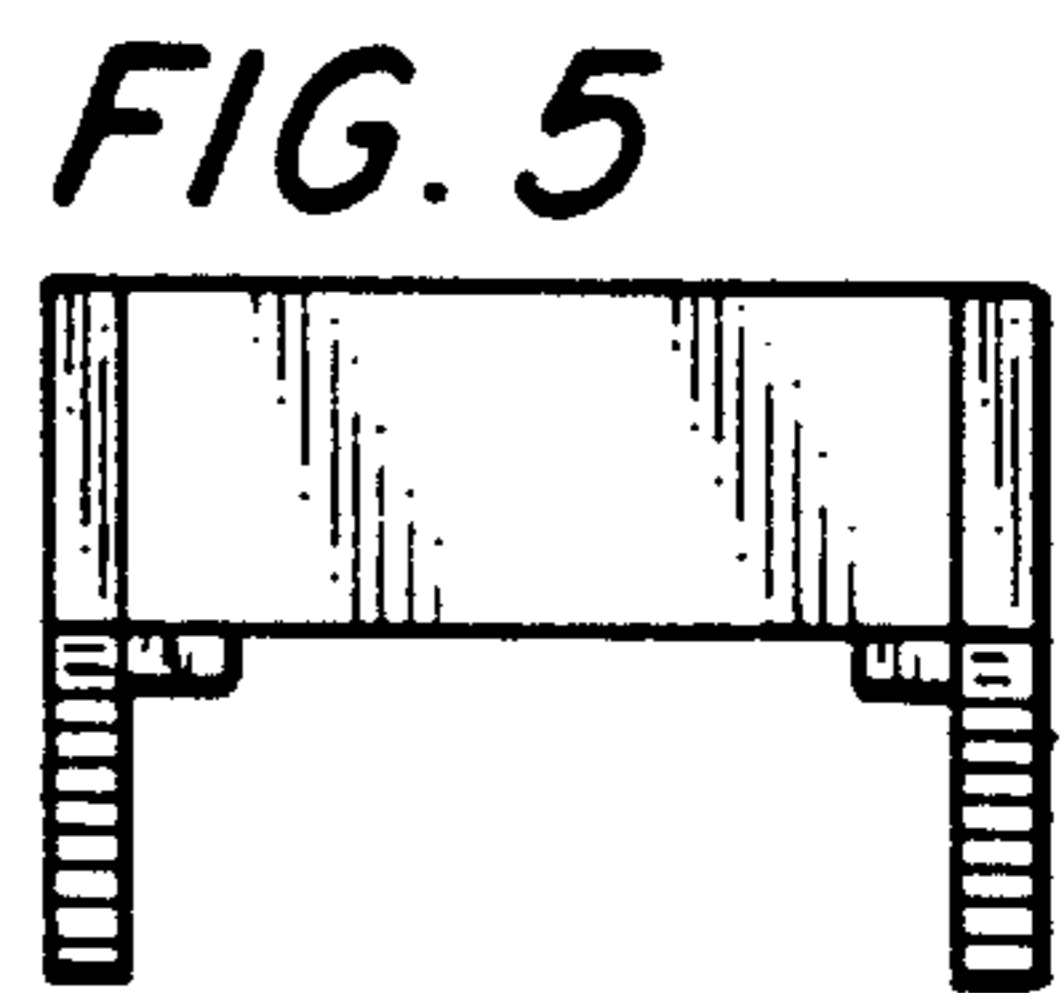


FIG. 5

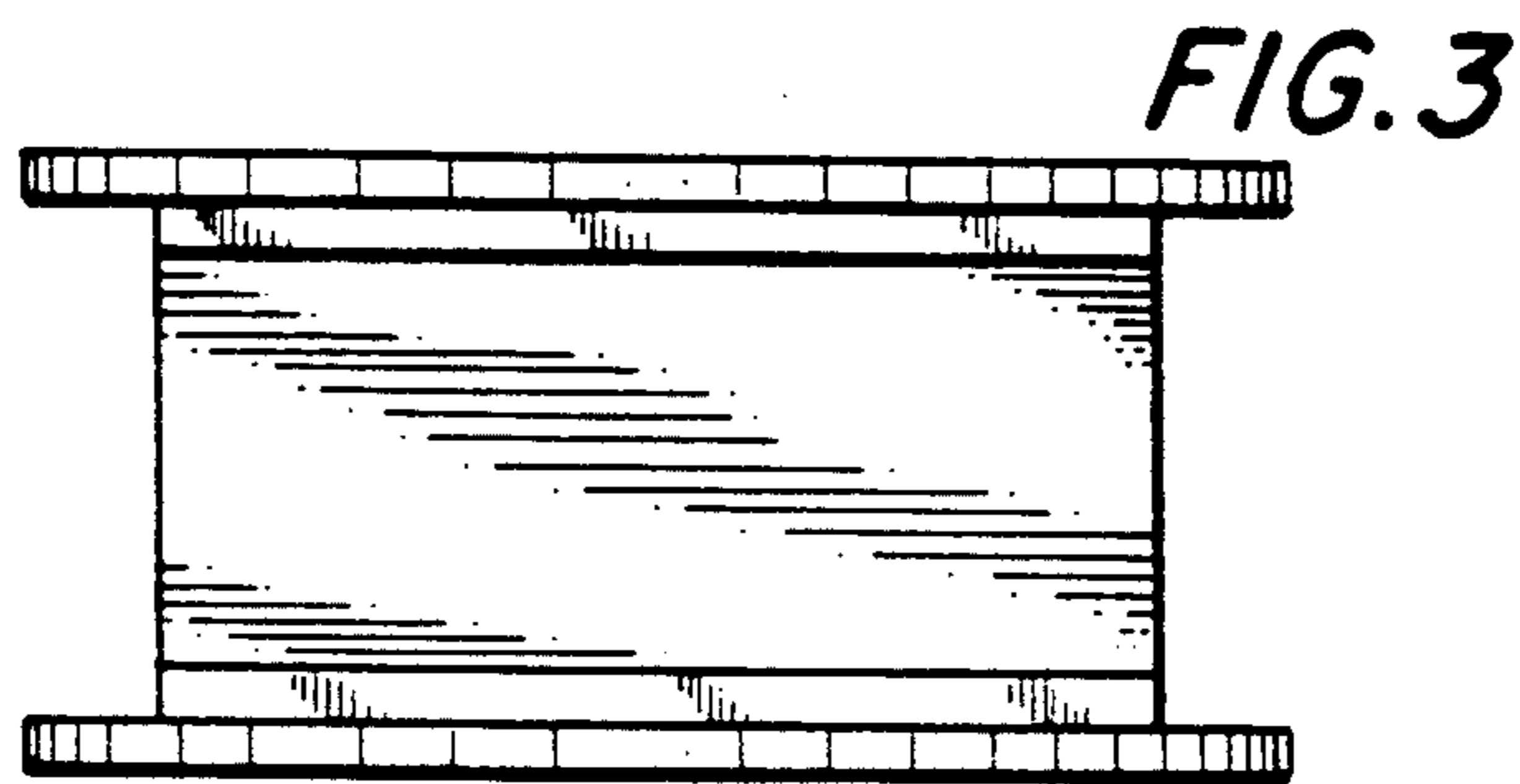


FIG. 3