



US00D341017S

# United States Patent [19]

[11] Patent Number: **Des. 341,017**

**Abe**

[45] Date of Patent: **\*\* Nov. 2, 1993**

[54] **COIN ENTRY**

5,007,519 4/1991 Mercurio ..... 194/351

[75] Inventor: **Hiroshi Abe, Kodaira, Japan**

**OTHER PUBLICATIONS**

[73] Assignee: **Asahi Seiko Co., Ltd., Tokyo, Japan**

Coin Entry Models TO-500 and TO-600 in Catalog No. 2101J by Asahi Seiko published on Oct. 10, 1990.

[\*\*] Term: **14 Years**

*Primary Examiner*—Alan P. Douglas

[21] Appl. No.: **801,728**

*Assistant Examiner*—J. H. Musgrove

[22] Filed: **Dec. 2, 1991**

*Attorney, Agent, or Firm*—Knobbe, Martens, Olson & Bear

[30] **Foreign Application Priority Data**

[57] **CLAIM**

Oct. 1, 1991 [JP] Japan ..... 3-29536

The ornamental design for coin entry, as shown and described.

[52] U.S. Cl. .... **D99/43; D99/99**

[58] Field of Search ..... D99/43, 99; 232/59, 232/44; 70/370, 453, 454, 455; 194/351, 347, 348; 109/55

**DESCRIPTION**

[56] **References Cited**

**U.S. PATENT DOCUMENTS**

2,076,004 4/1937 Ringseis ..... 70/454  
4,489,577 12/1984 Crepinseik ..... 70/370  
4,764,151 8/1988 Sandhage ..... 453/61

FIG. 1 is a perspective view of coin entry showing my new design;

FIG. 2 is a front elevational view thereof;

FIG. 3 is a rear elevational view thereof;

FIG. 4 is a left side elevational view thereof which is a mirror image of the right side; and,

FIG. 5 is a top plan view thereof which is a mirror image of the bottom.

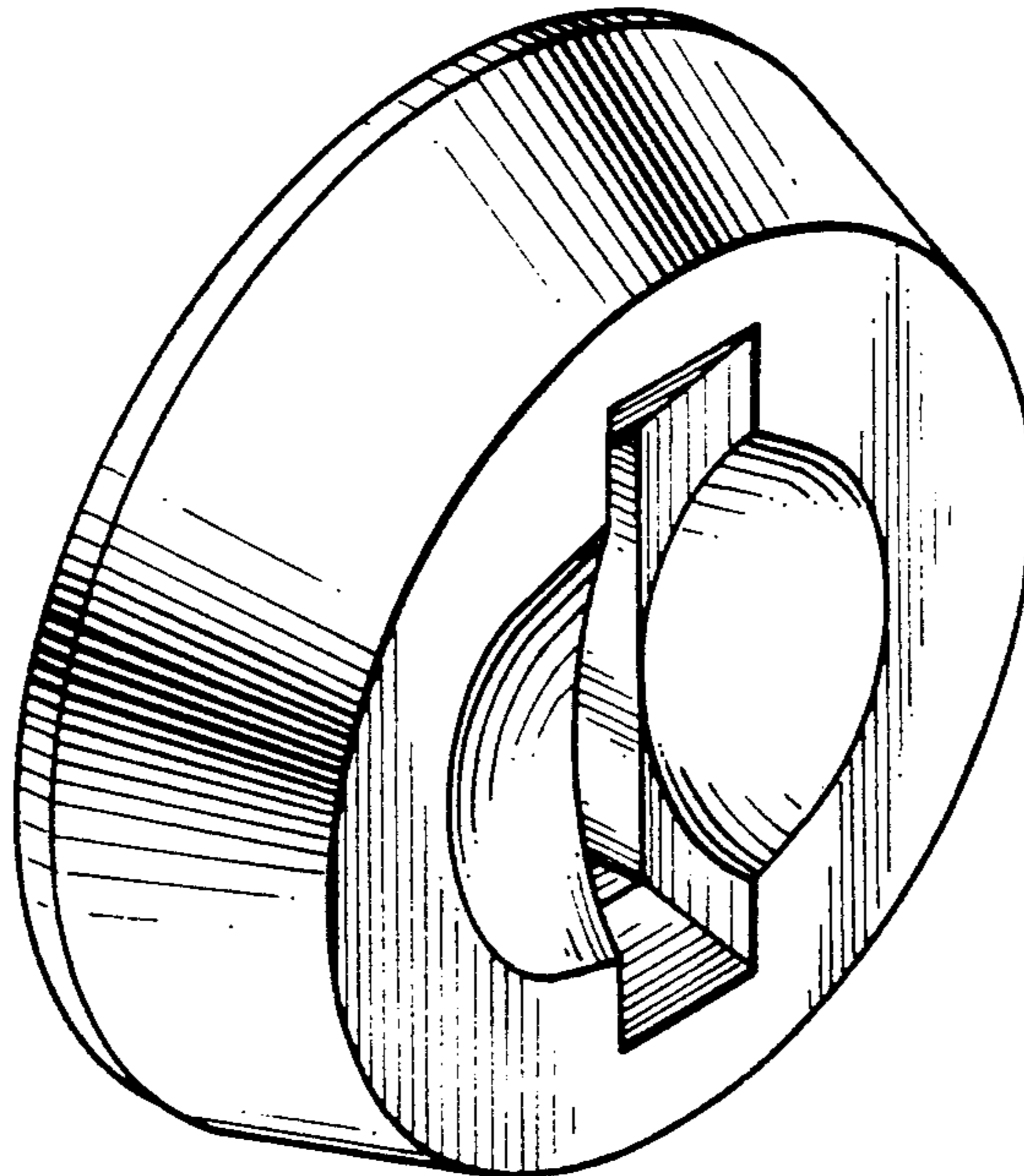


FIG. 1

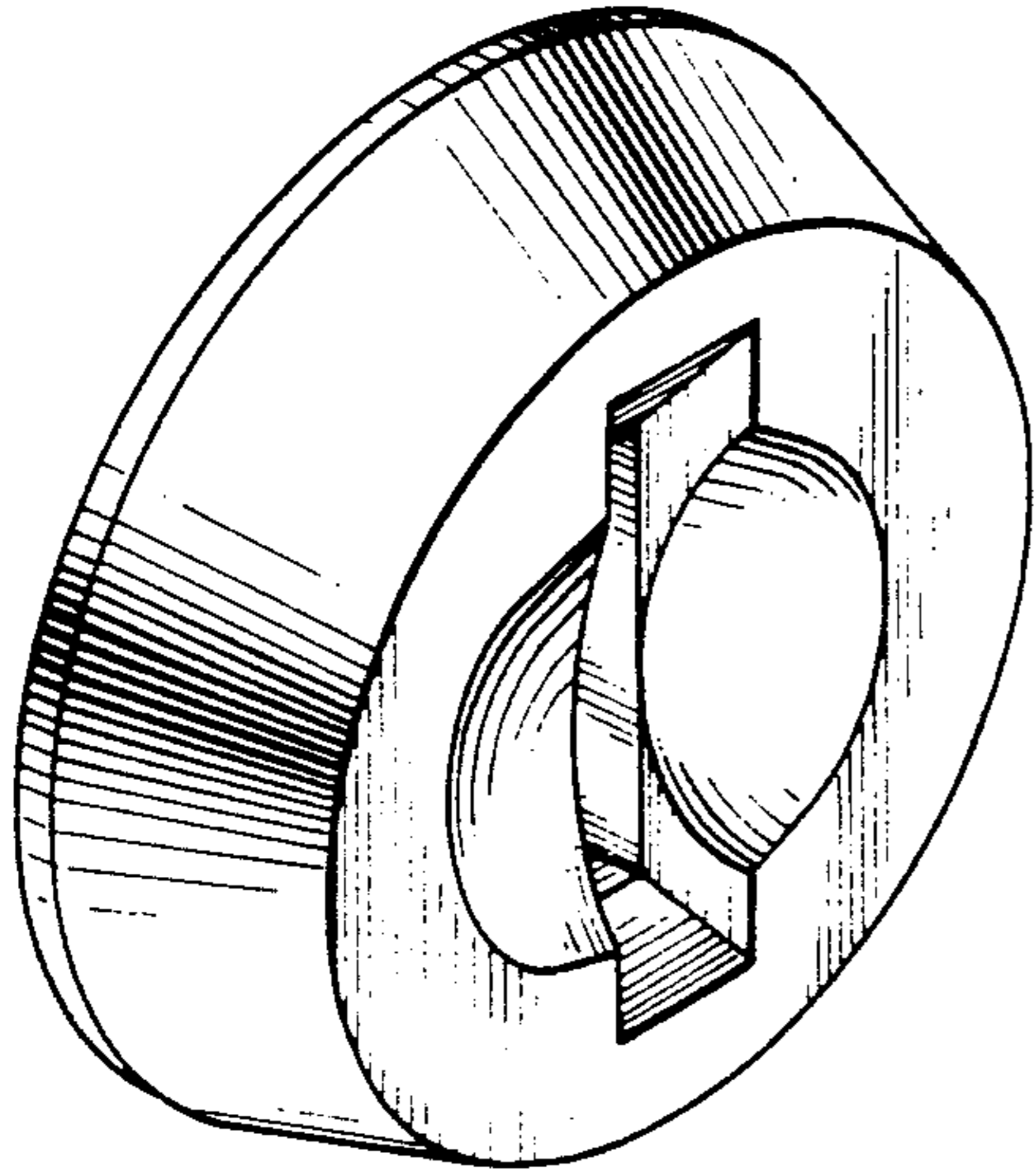


FIG. 2

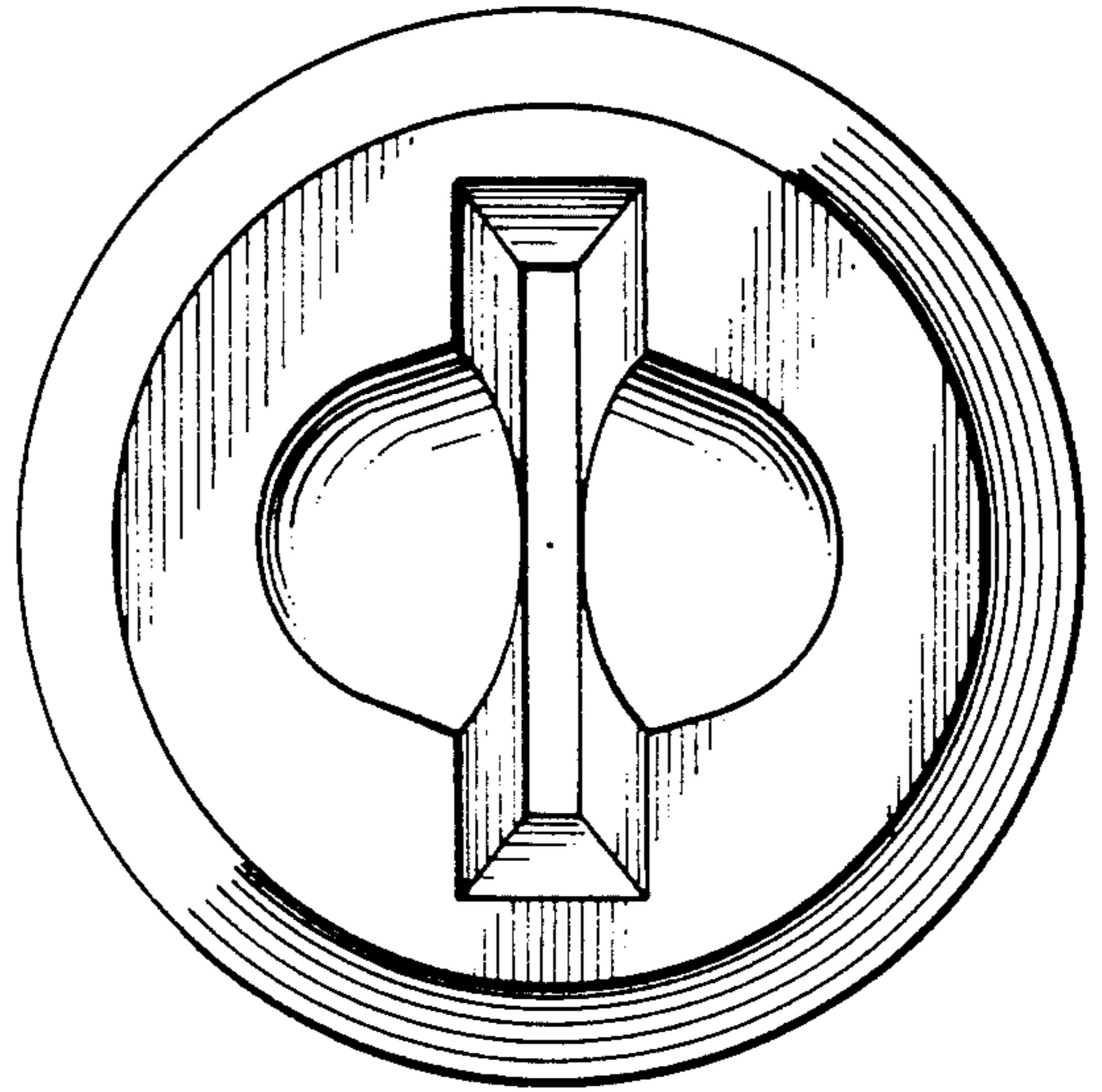


FIG. 3

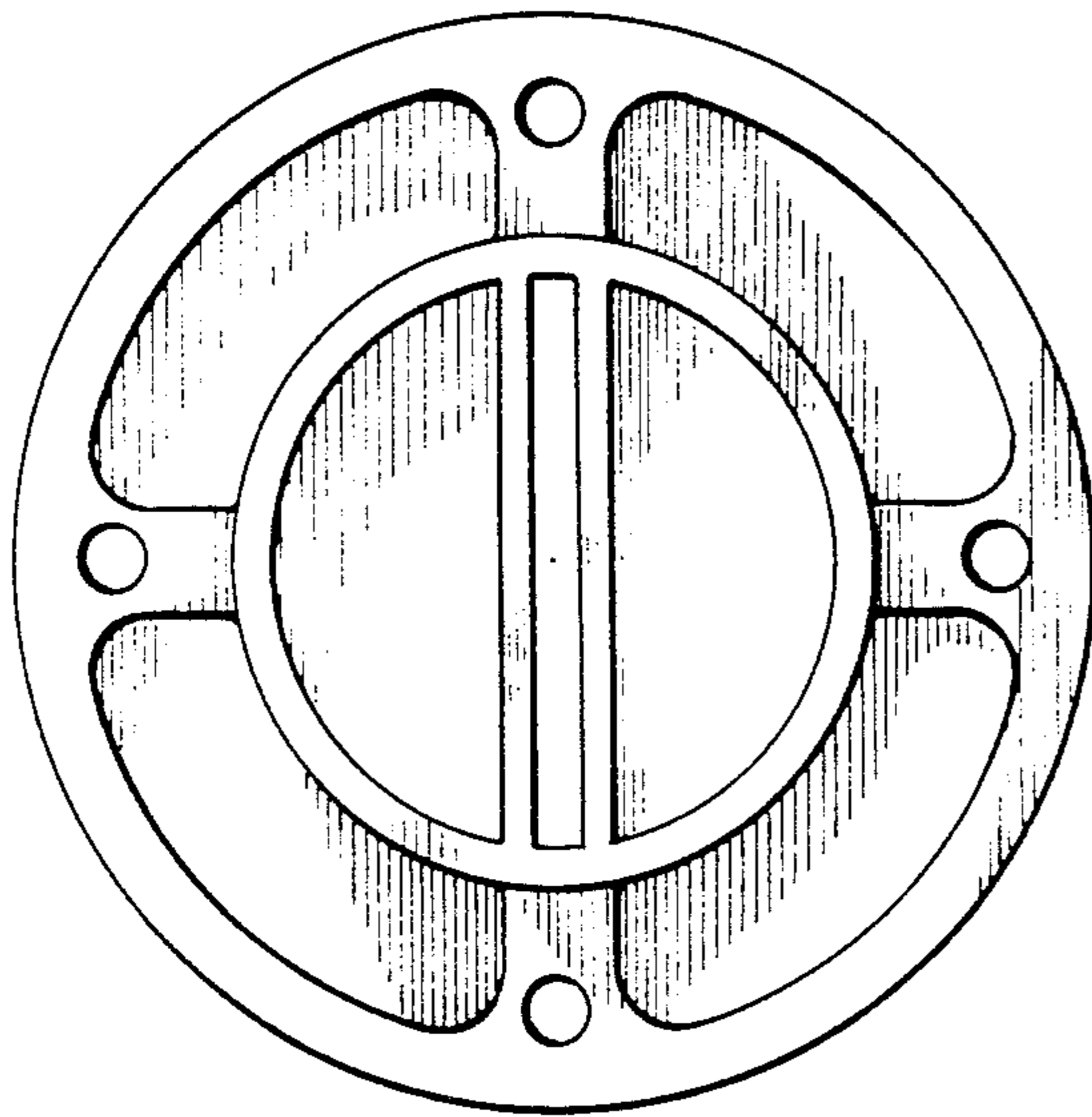


FIG. 4

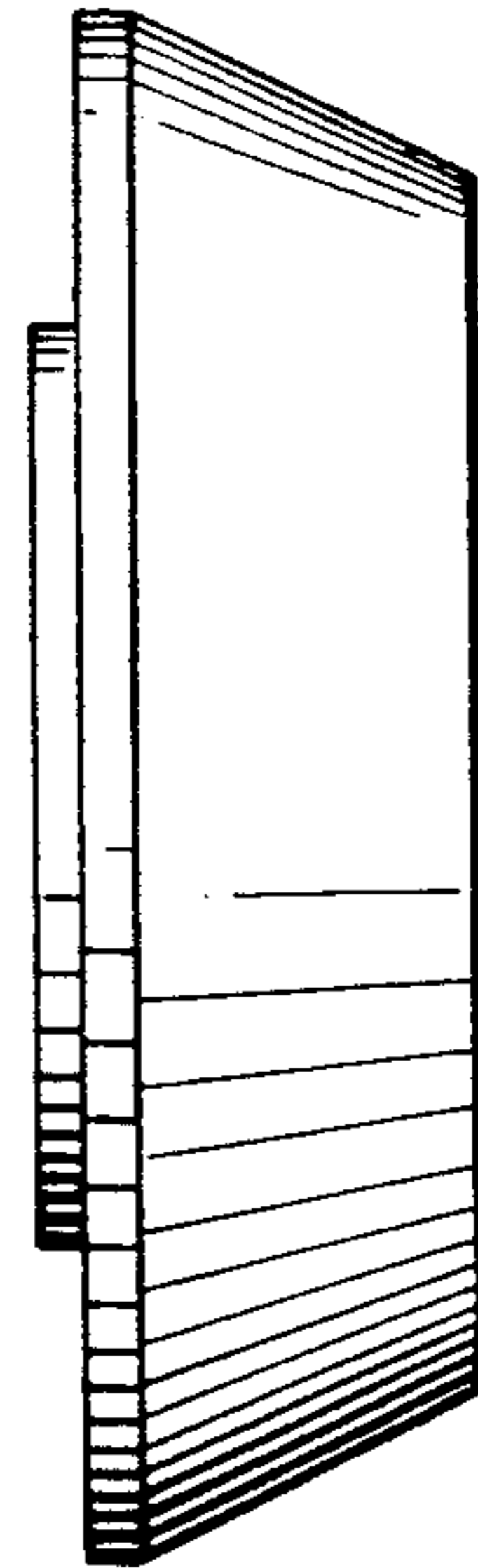


FIG. 5

