



US00D341012S

United States Patent [19]

[11] Patent Number: **Des. 341,012**

Baird

[45] Date of Patent: **** Nov. 2, 1993**

[54] AIR MATTRESS FOR USE IN A CASKET

4,723,329 2/1988 Vaccaro 5/455
5,009,318 4/1991 LePinoy 5/450
5,152,018 10/1992 Lea 5/450

[76] Inventor: **Walter E. Baird**, 110 E. Naples St.,
Wayland, N.Y. 14572

[**] Term: **14 Years**

Primary Examiner—Alan P. Douglas
Assistant Examiner—J. H. Musgrove
Attorney, Agent, or Firm—Terry M. Gernstein

[21] Appl. No.: **789,138**

[57] **CLAIM**

[22] Filed: **Nov. 6, 1991**

The ornamental design for an air mattress for use in a casket, as shown and described.

[52] U.S. Cl. **D99/10**

[58] Field of Search D99/8, 10; 27/13, 18;
D6/382, 604, 605, 596; 5/458, 449, 450, 417,
420

DESCRIPTION

[56] **References Cited**

U.S. PATENT DOCUMENTS

655,362	8/1900	Coughlin	27/13
2,848,783	8/1958	Keller, Jr. et al.	27/18
4,501,036	2/1985	Santo	5/452
4,629,433	12/1986	Magid	441/40
4,631,767	12/1986	Carr	5/449

FIG. 1 is a perspective view of the air mattress for use in a casket embodying the design of the present invention;

FIG. 2 is a front elevational view thereof;

FIG. 3 is a rear elevational view thereof;

FIG. 4 is a side elevational view thereof, the side opposite being a mirror image of the side shown in FIG. 4;

FIG. 5 is a top plan view thereof; and,

FIG. 6 is a bottom view thereof.

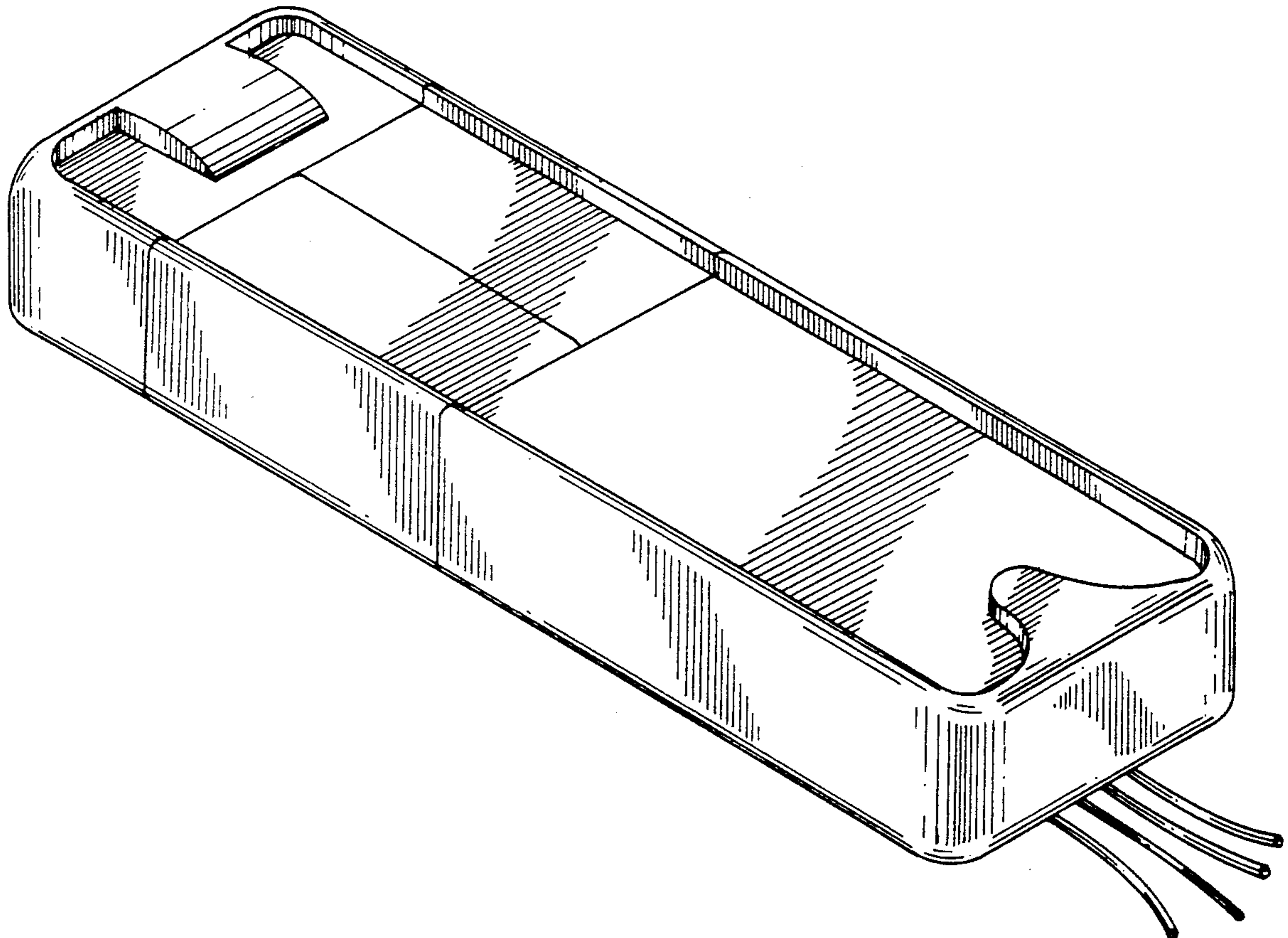
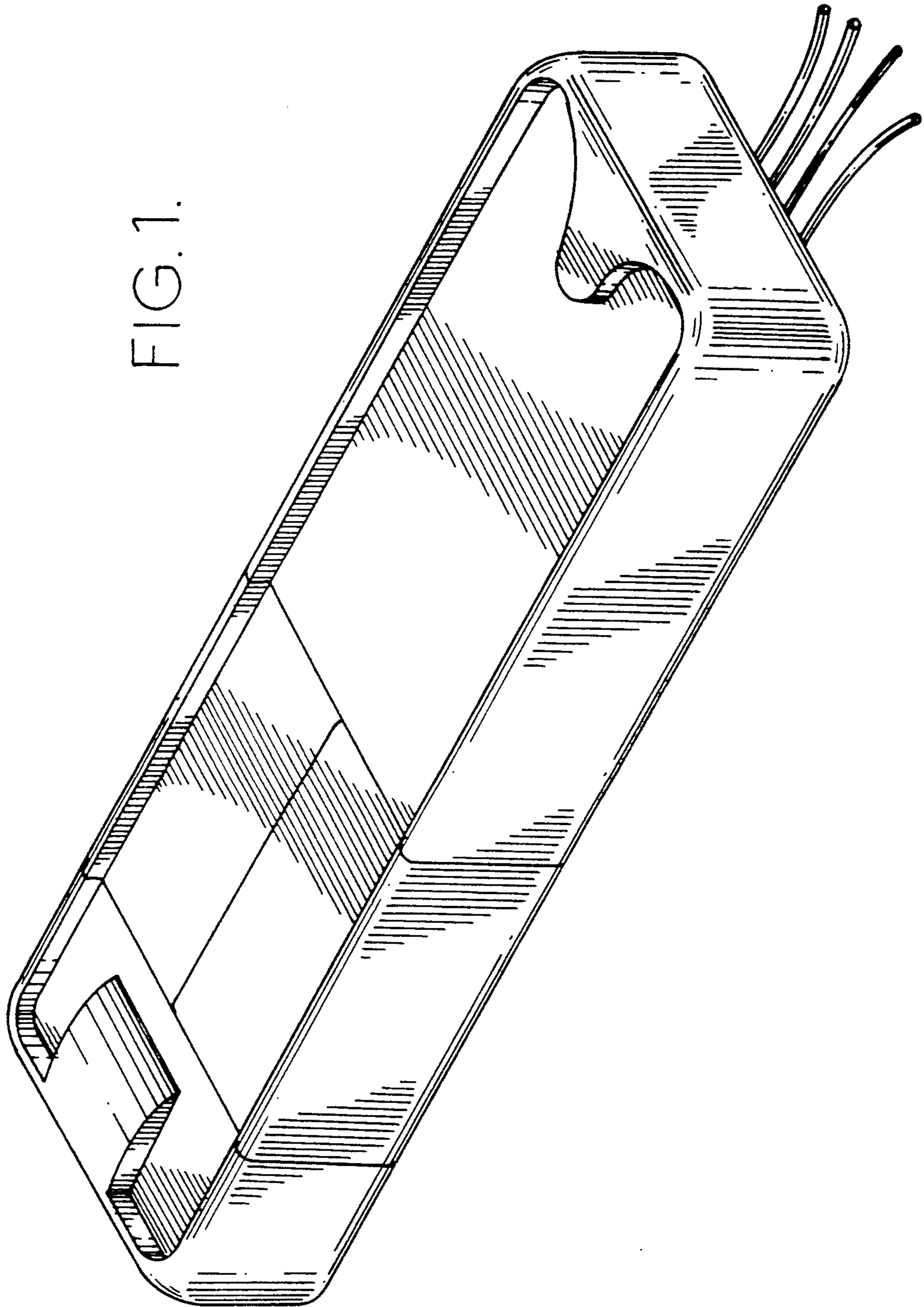


FIG. 1.



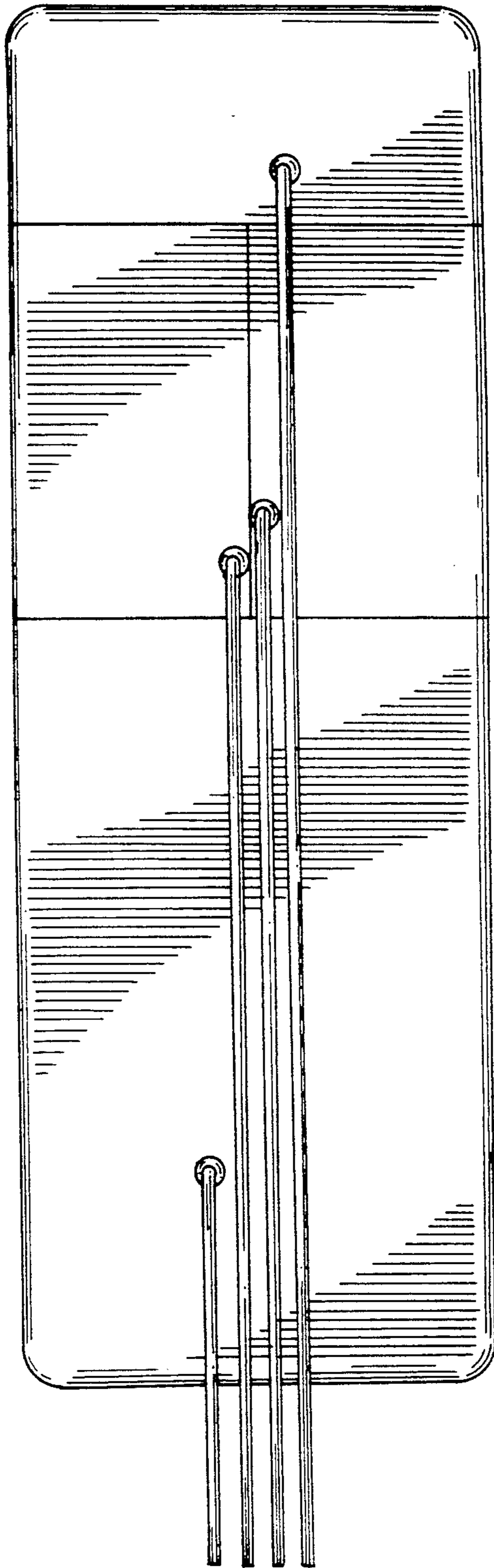


FIG. 6.

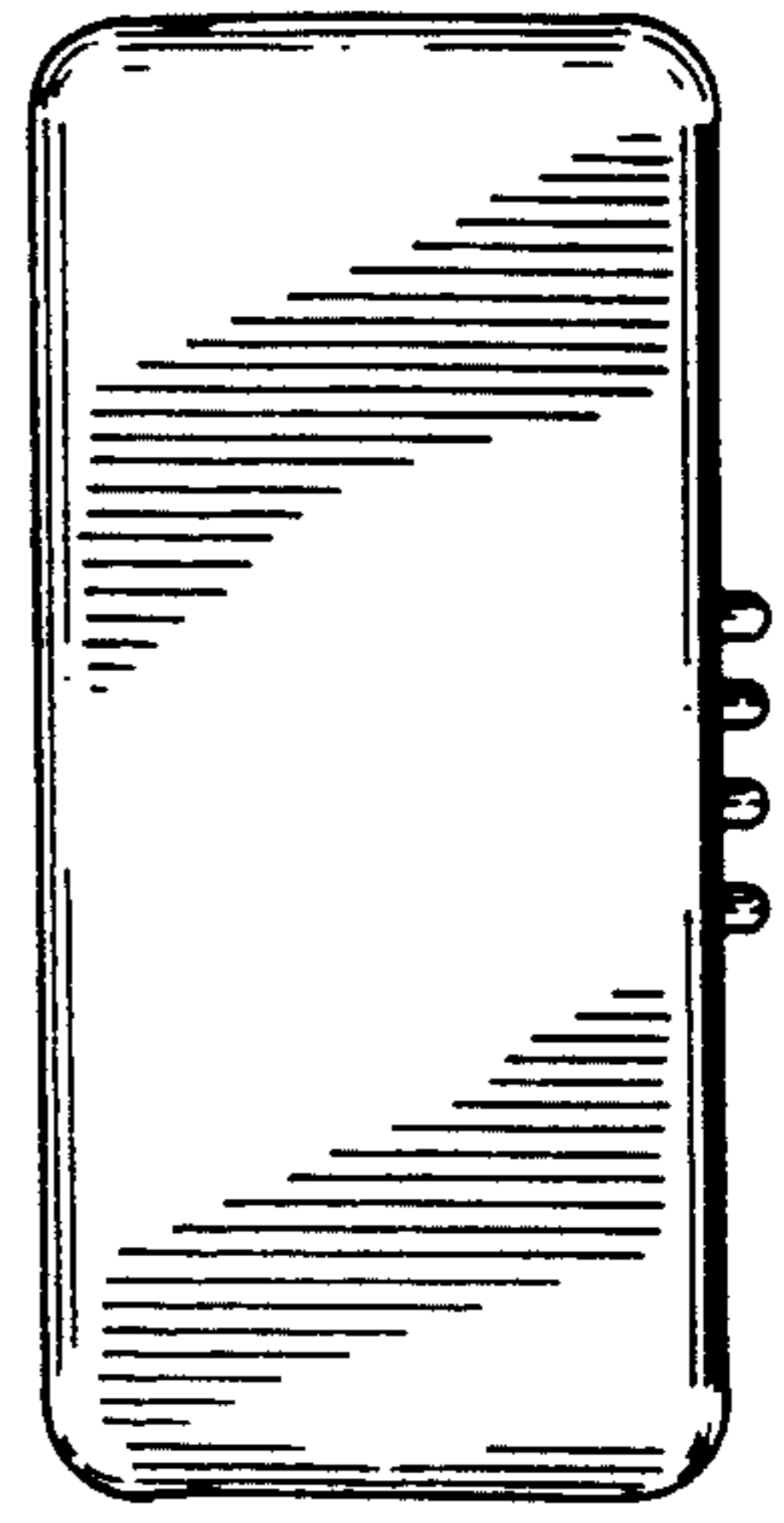


FIG. 3.

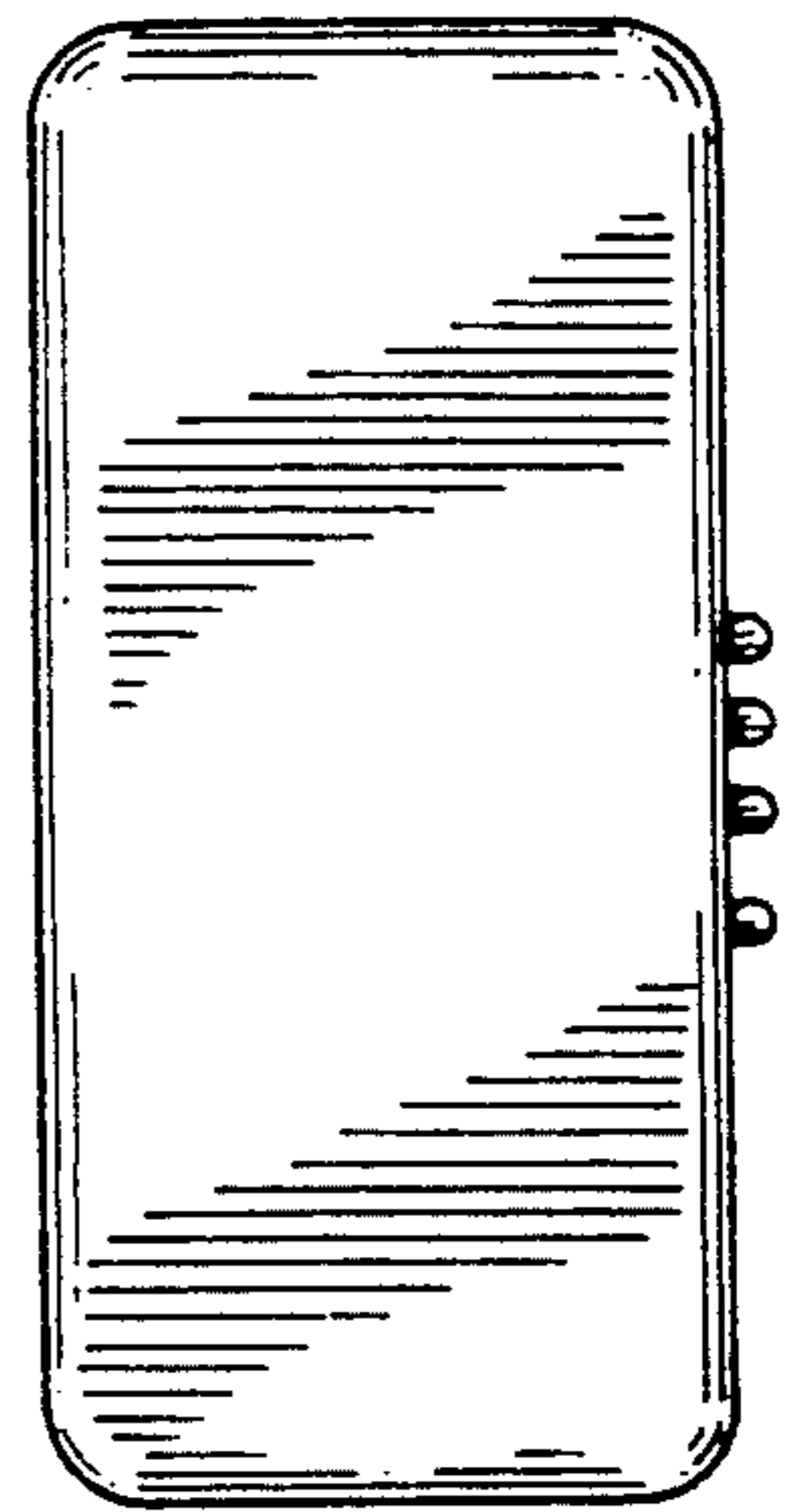


FIG. 2.

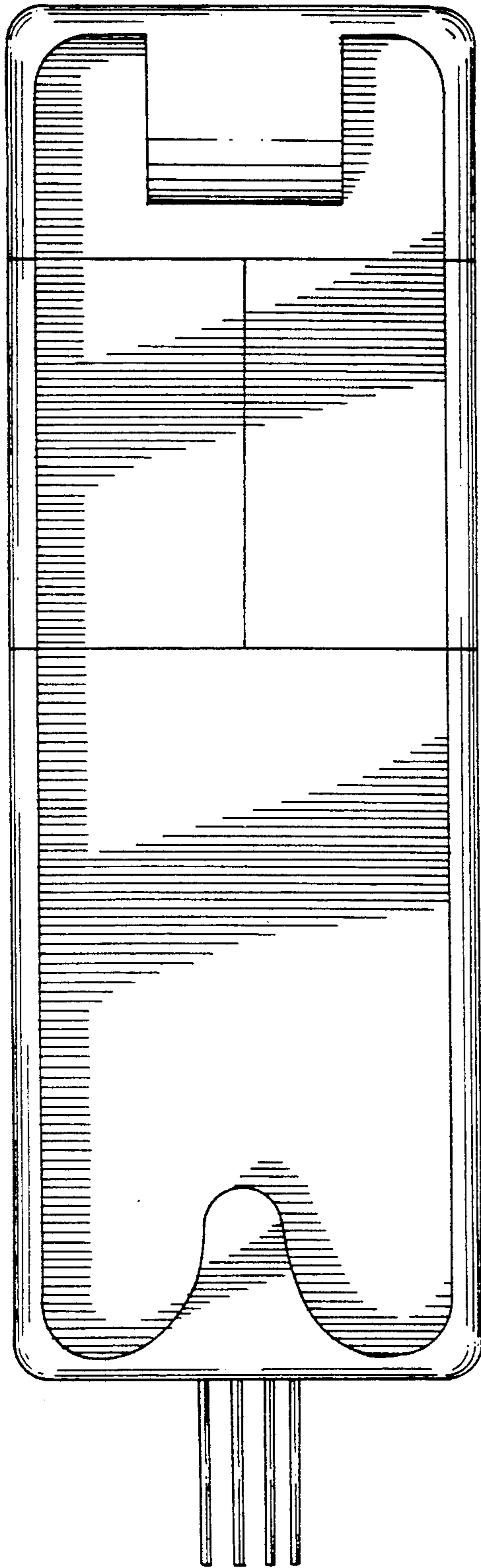


FIG. 5.

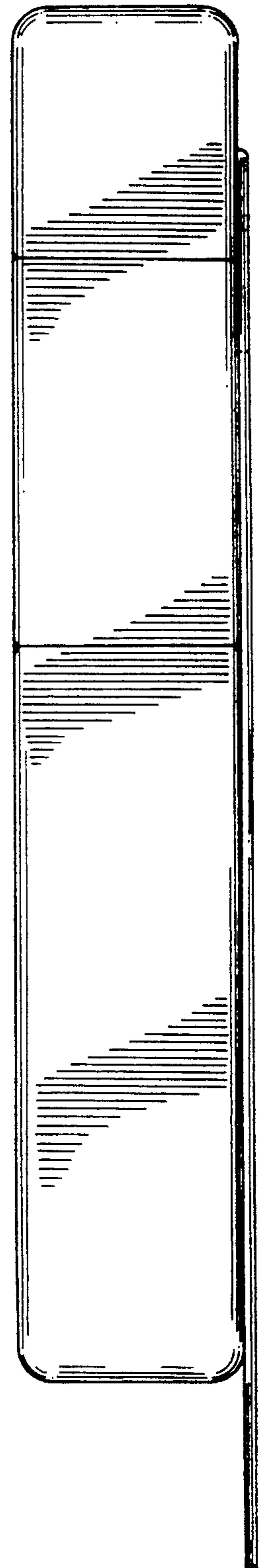


FIG. 4.