



US00D341011S

United States Patent [19]

[11] Patent Number: **Des. 341,011**

Liberato

[45] Date of Patent: **** Nov. 2, 1993**

[54] GAME CARRYING DEVICE

[76] Inventor: **Mario Liberato**, 1633 W. James St.,
Norristown, Pa. 19401

[**] Term: **14 Years**

[21] Appl. No.: **846,432**

[22] Filed: **Mar. 6, 1992**

[52] U.S. Cl. **D34/24; D34/26**

[58] Field of Search **D34/12, 24, 25, 26;**
280/47.24, 47.26, 652

[56] References Cited

U.S. PATENT DOCUMENTS

| | | | | |
|------------|---------|-----------|-------|-----------|
| D. 257,139 | 9/1980 | Bigge | | D34/17 |
| D. 330,958 | 11/1992 | Verbeck | | D34/24 |
| 3,035,847 | 5/1962 | Born | | 280/47.24 |
| 3,913,762 | 10/1975 | Alexander | | 280/47.24 |
| 4,048,735 | 9/1977 | Brunty | | 280/47.24 |

FOREIGN PATENT DOCUMENTS

| | | | | |
|--------|---------|----------------|-------|-----------|
| 276584 | 10/1951 | Switzerland | | 280/47.24 |
| 748377 | 5/1956 | United Kingdom | | 280/47.24 |

Primary Examiner—Kay H. Chin
Attorney, Agent, or Firm—Terry M. Gernstein

[57] CLAIM

The ornamental design for a game carrying device, as shown and described.

DESCRIPTION

FIG. 1 is a perspective view of the game carrying device embodying the design of the present invention; FIG. 2 is a front elevational view thereof; FIG. 3 is a rear elevational view thereof; FIG. 4 is a side elevational view thereof, the side opposite being a mirror image of the side shown in FIG. 4; FIG. 5 is a top plan view thereof; and, FIG. 6 is a bottom view thereof.

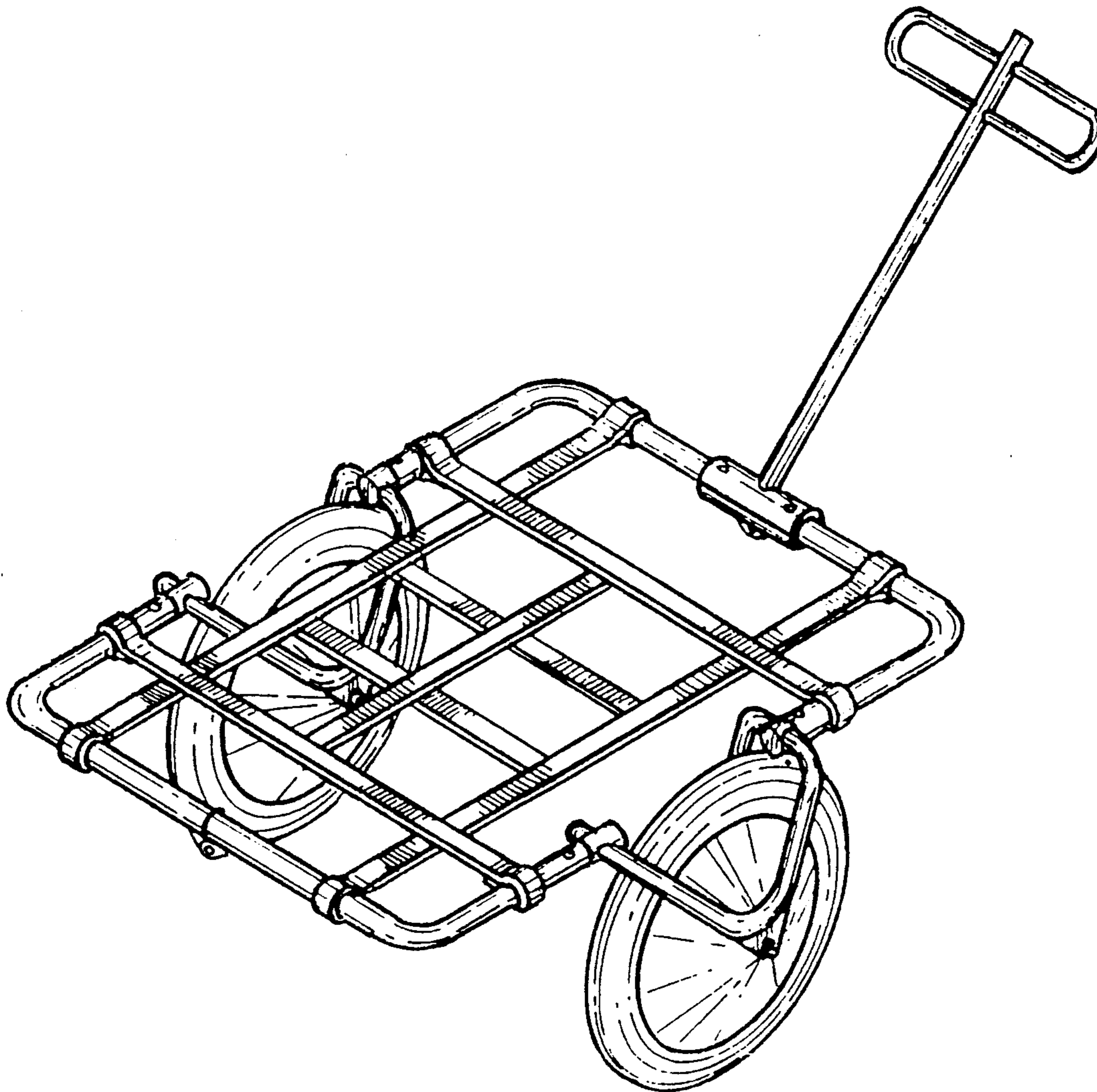
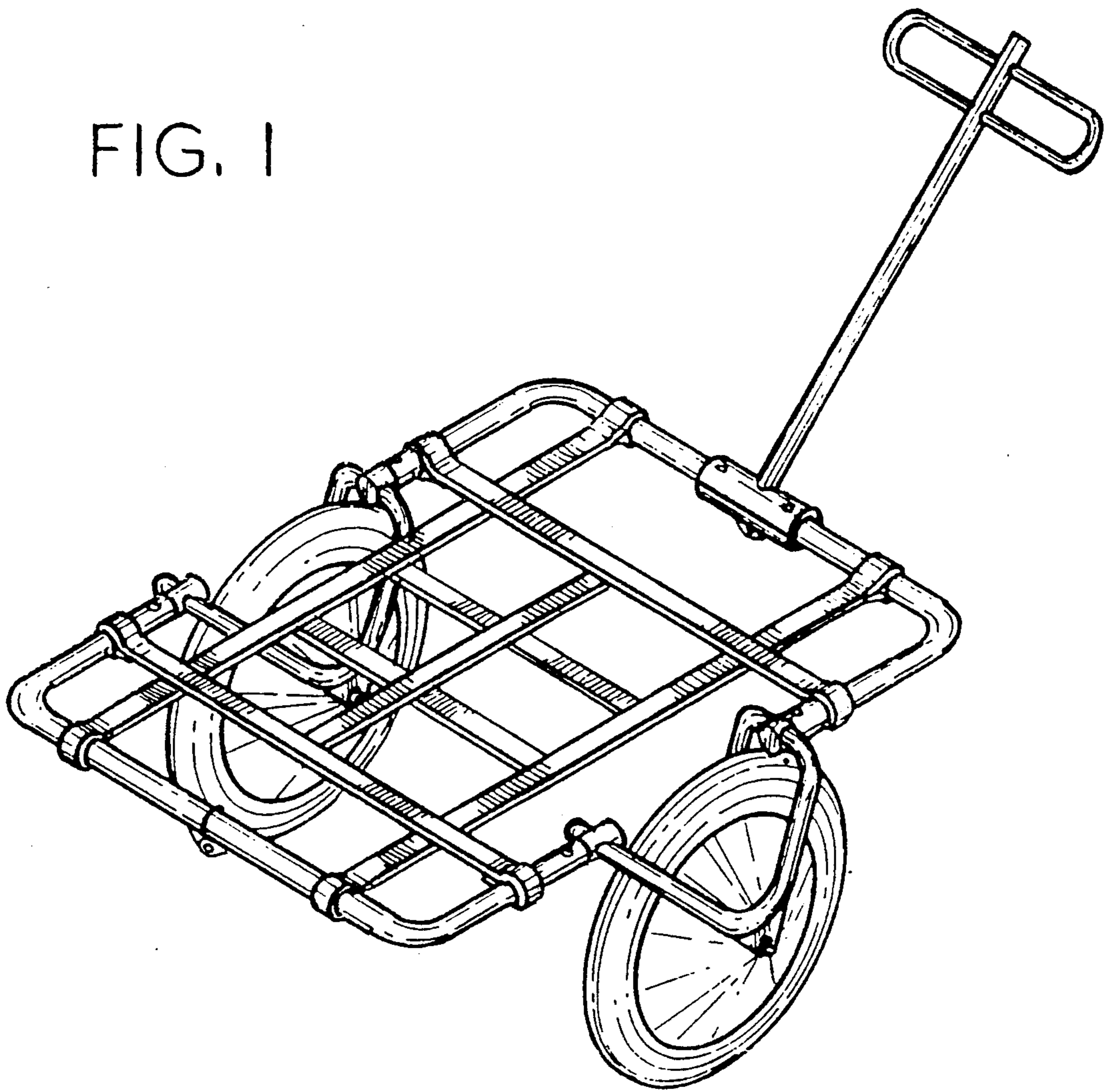


FIG. 1



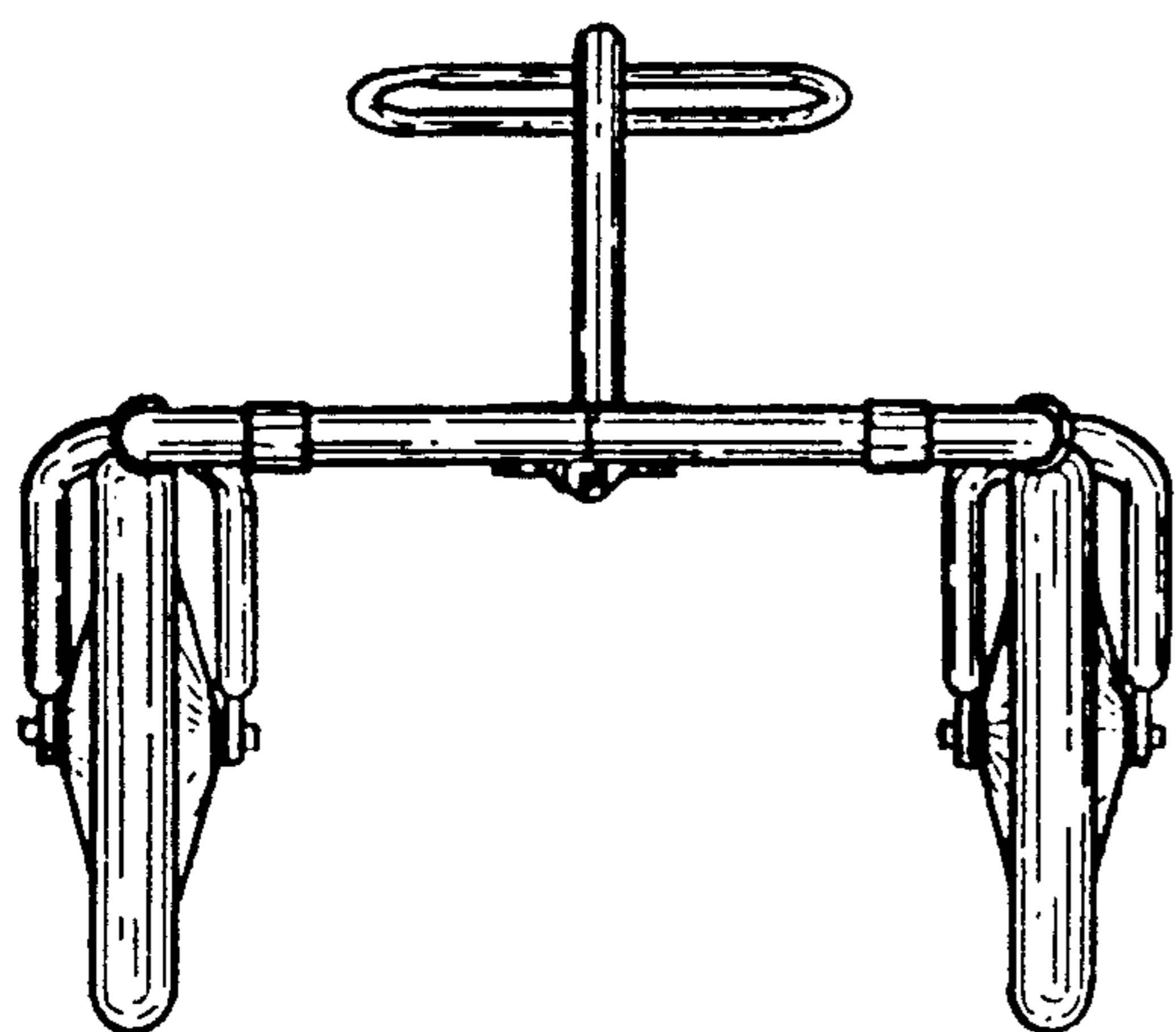


FIG. 2

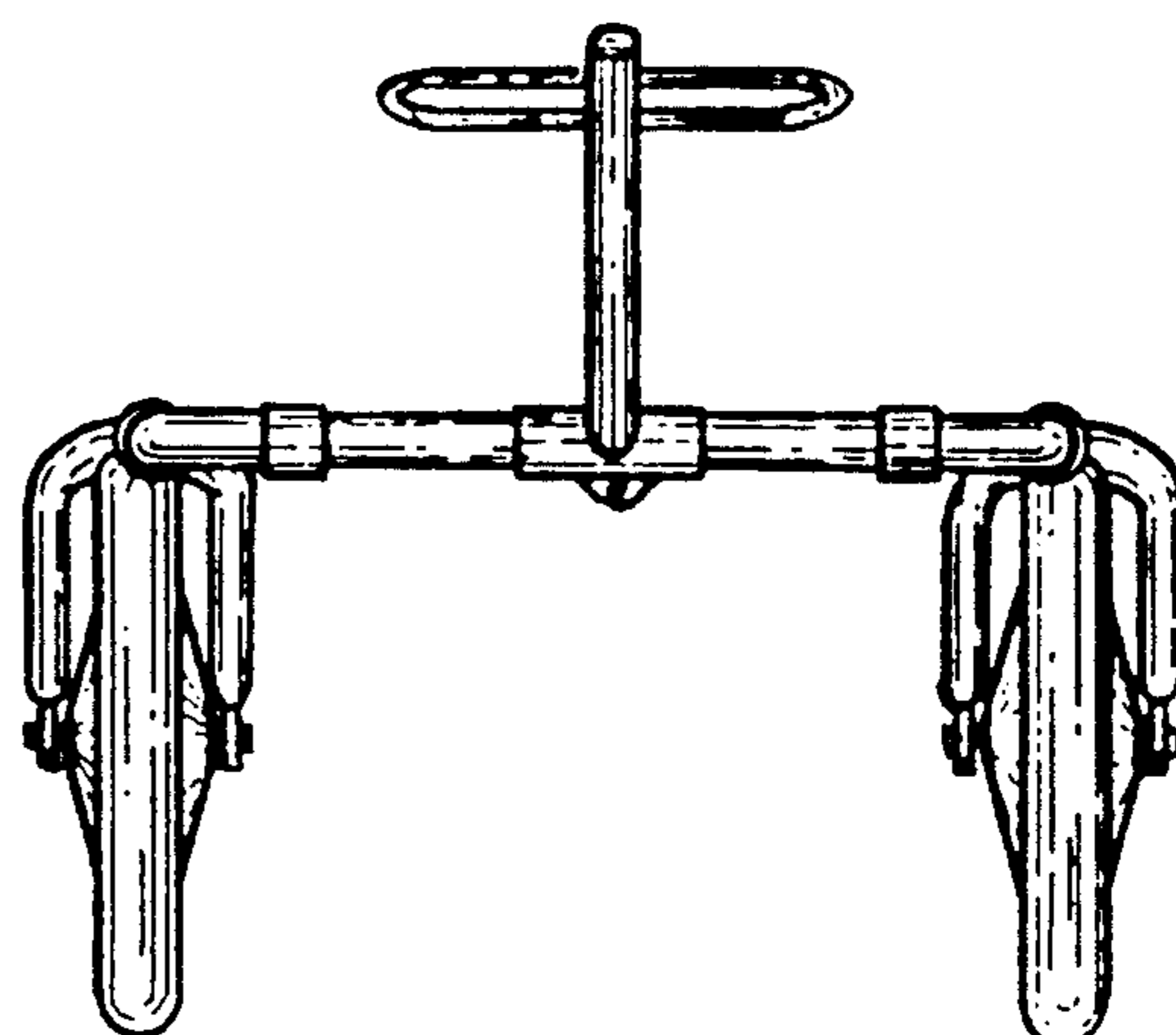


FIG. 3

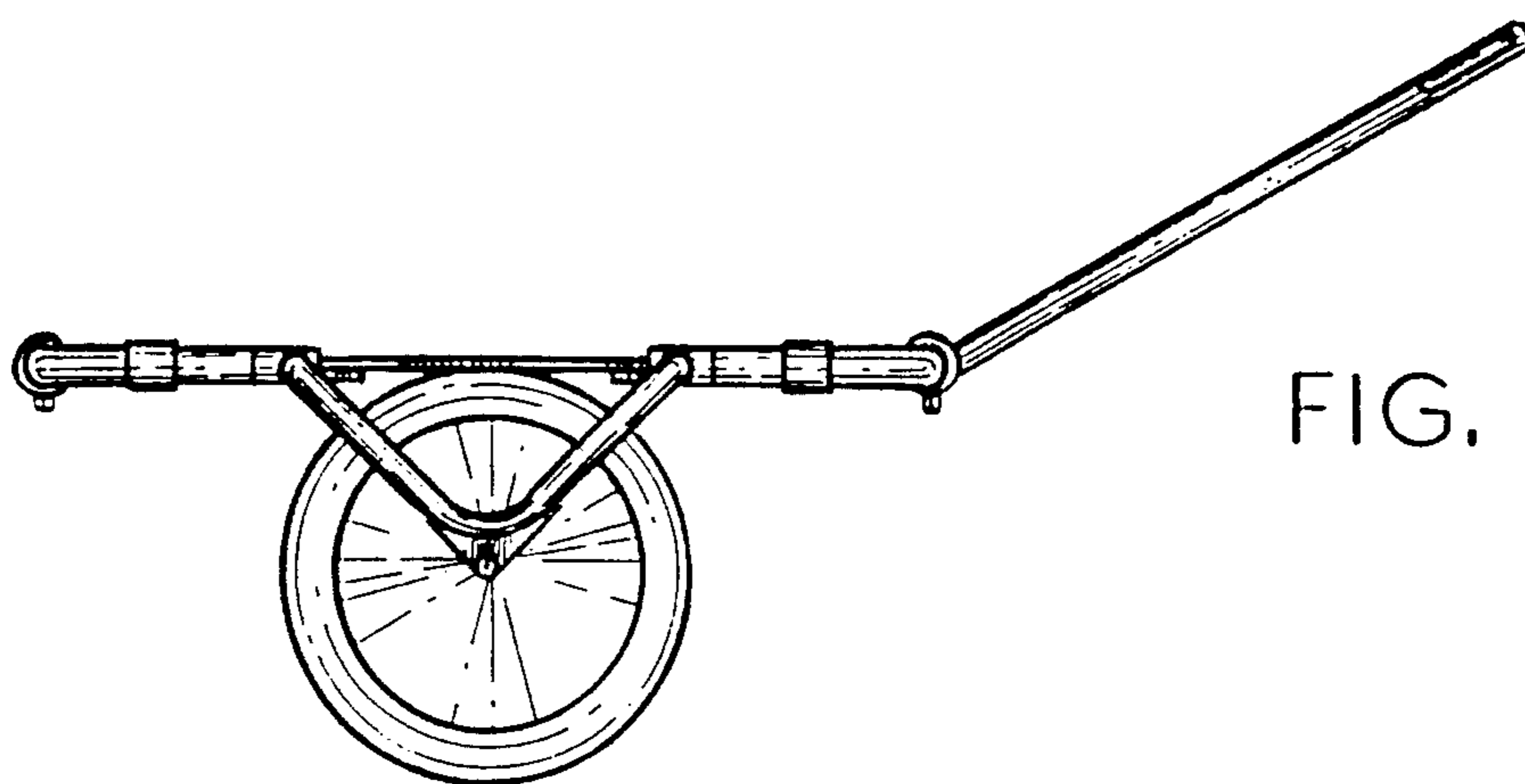


FIG. 4

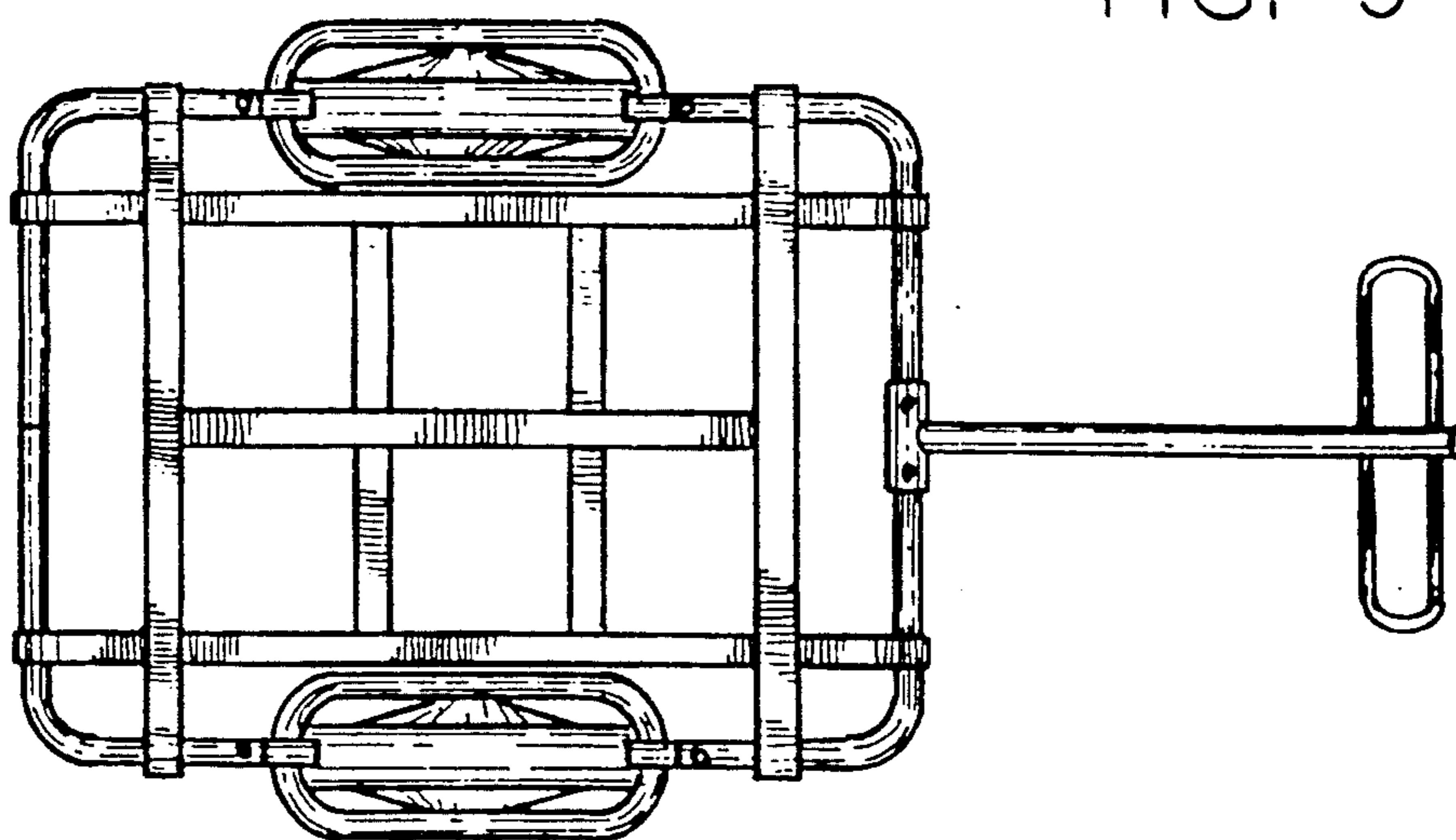


FIG. 5

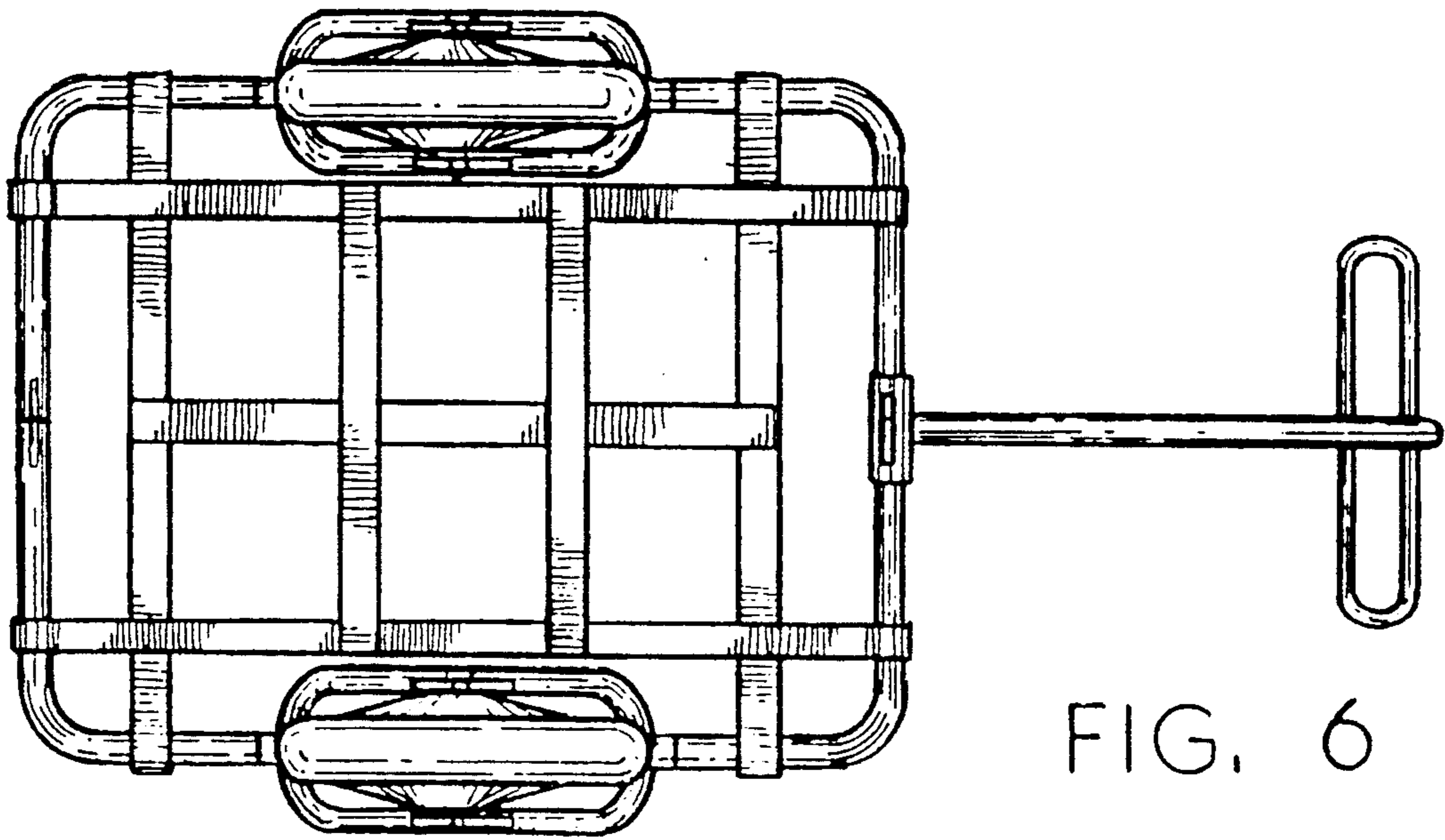


FIG. 6