



US00D341010S

United States Patent [19]

[11] Patent Number: **Des. 341,010**

Johnson

[45] Date of Patent: **** Nov. 2, 1993**

[54] **BEVERAGE CART WITH INSET PANELS**

3,162,495 12/1964 Swift .

[75] Inventor: **Michael W. Johnson**, St. Helens, Oreg.

Primary Examiner—Kay H. Chin
Attorney, Agent, or Firm—Kolisch, Hartwell, Dickinson, McCormack & Heuser

[73] Assignee: **Boyd Coffee Company**, Portland, Oreg.

[57] **CLAIM**

[**] Term: **14 Years**

The ornamental design for a beverage cart with inset panels, as shown and described.

[21] Appl. No.: **832,762**

DESCRIPTION

[22] Filed: **Feb. 7, 1992**

[52] U.S. Cl. **D34/17; D34/14; D6/481**

[58] Field of Search **D34/12, 17, 19, 20, D34/21; D6/481, 474, 509, 432; 280/79.3, 79.11; 312/250, 311**

FIG. 1 is a perspective view of a beverage cart with inset panels showing one embodiment of my new design;

FIG. 2 is a rear perspective view thereof;

FIG. 3 is a top plan view thereof;

FIG. 4 is an end elevational view thereof, being a mirror image of the end not shown;

FIG. 5 is a front elevational view thereof;

FIG. 6 is a rear elevational view thereof;

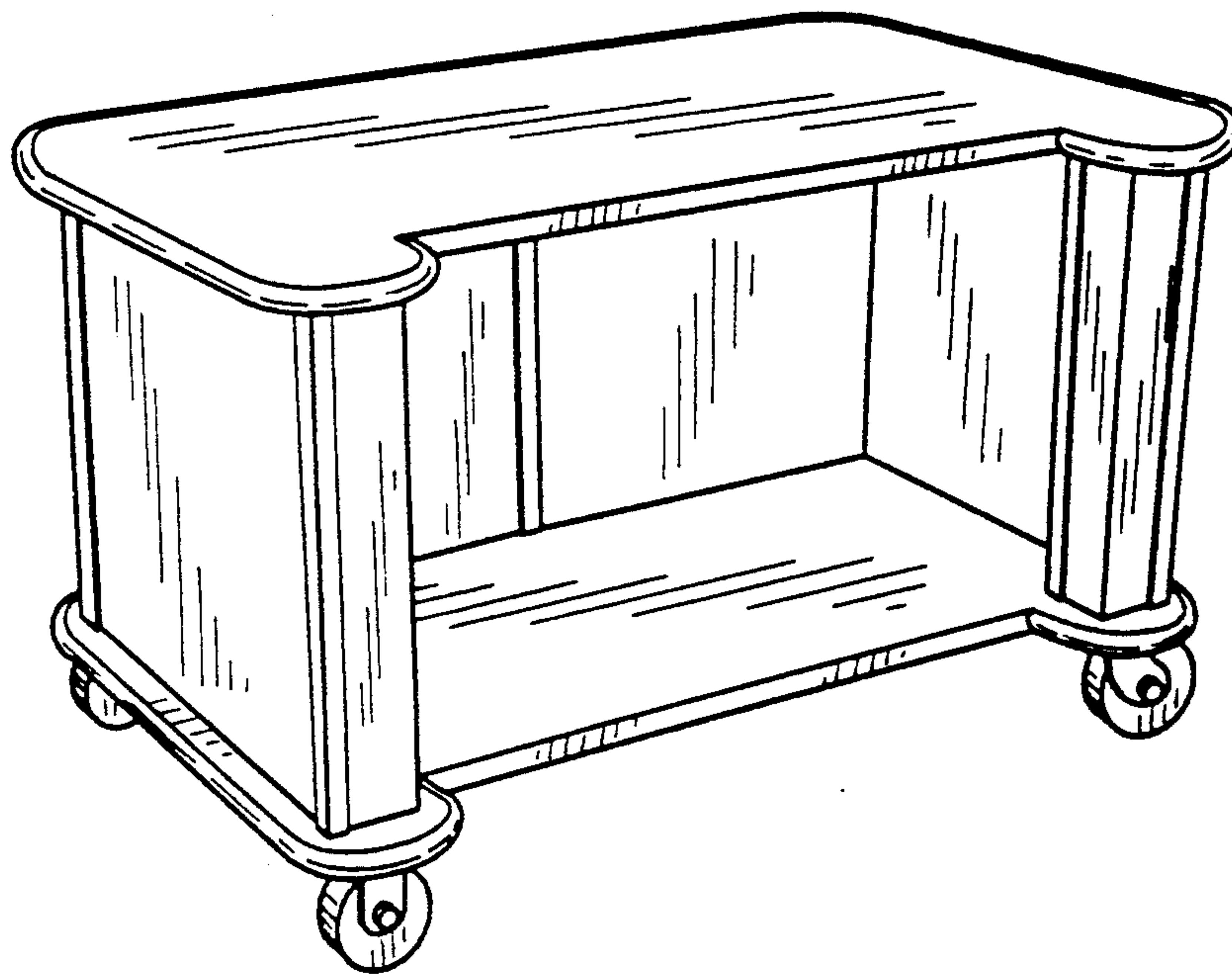
FIG. 7 is a bottom plan view thereof; and,

FIG. 8 is a front perspective view of a second embodiment of the beverage cart with inset panels, the sole difference from the first embodiment being in the different size of the beverage cart.

[56] **References Cited**

U.S. PATENT DOCUMENTS

D. 143,660	1/1946	Irwin	D6/474
D. 238,026	12/1975	Lorge	D6/481
300,591	4/1989	Marchais	.	
302,221	7/1989	Suttles et al.	.	



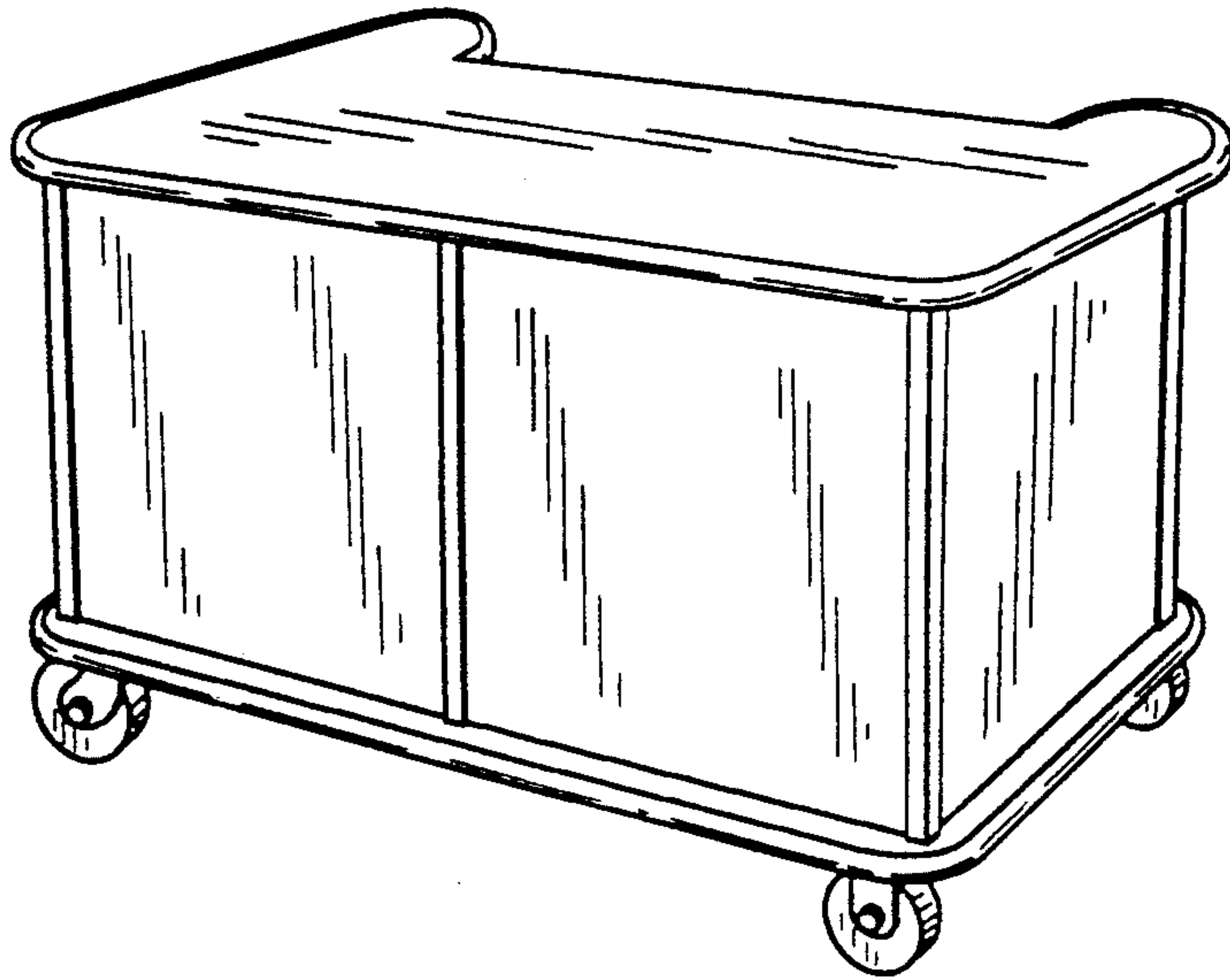


FIG. 1

FIG. 2

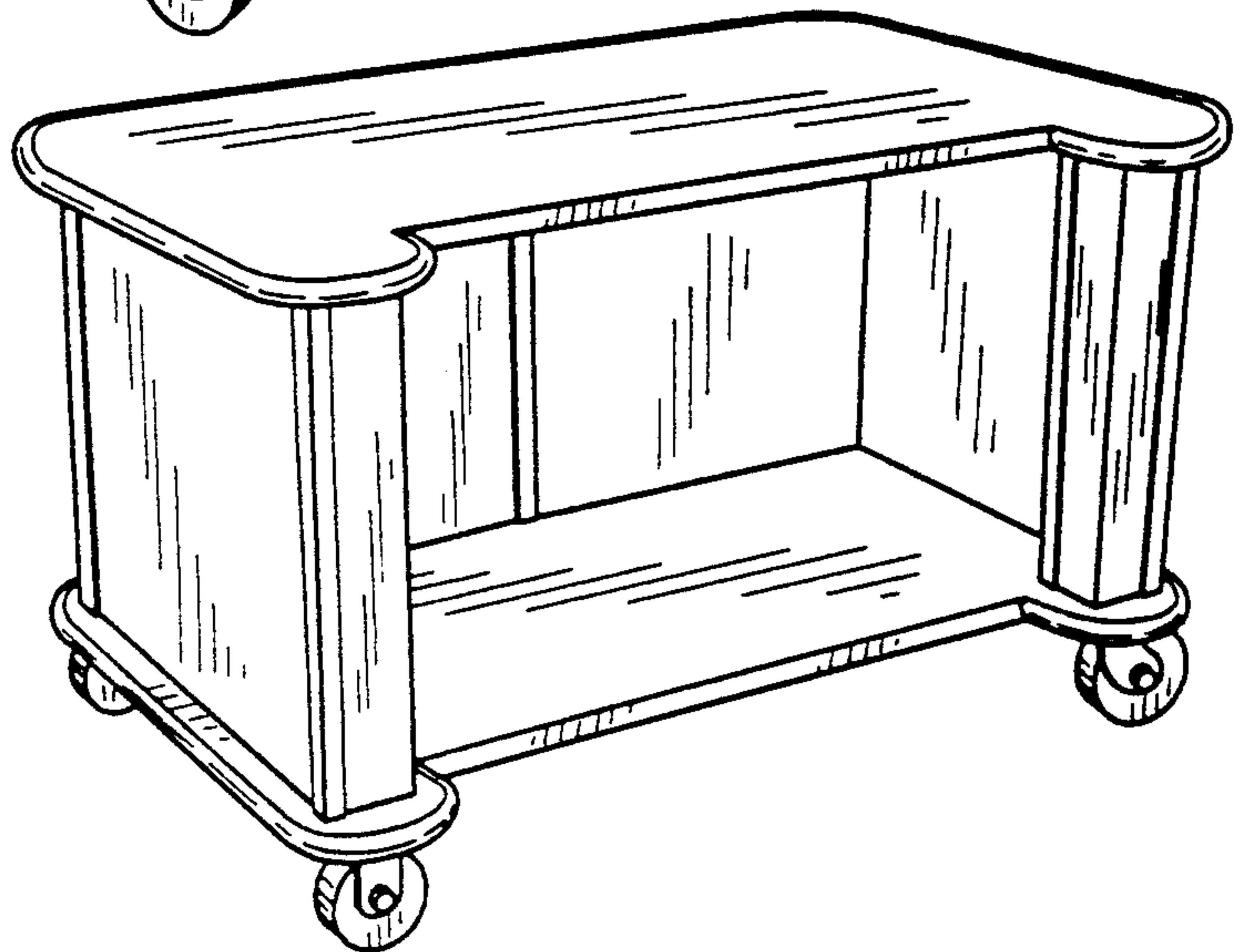


FIG. 8

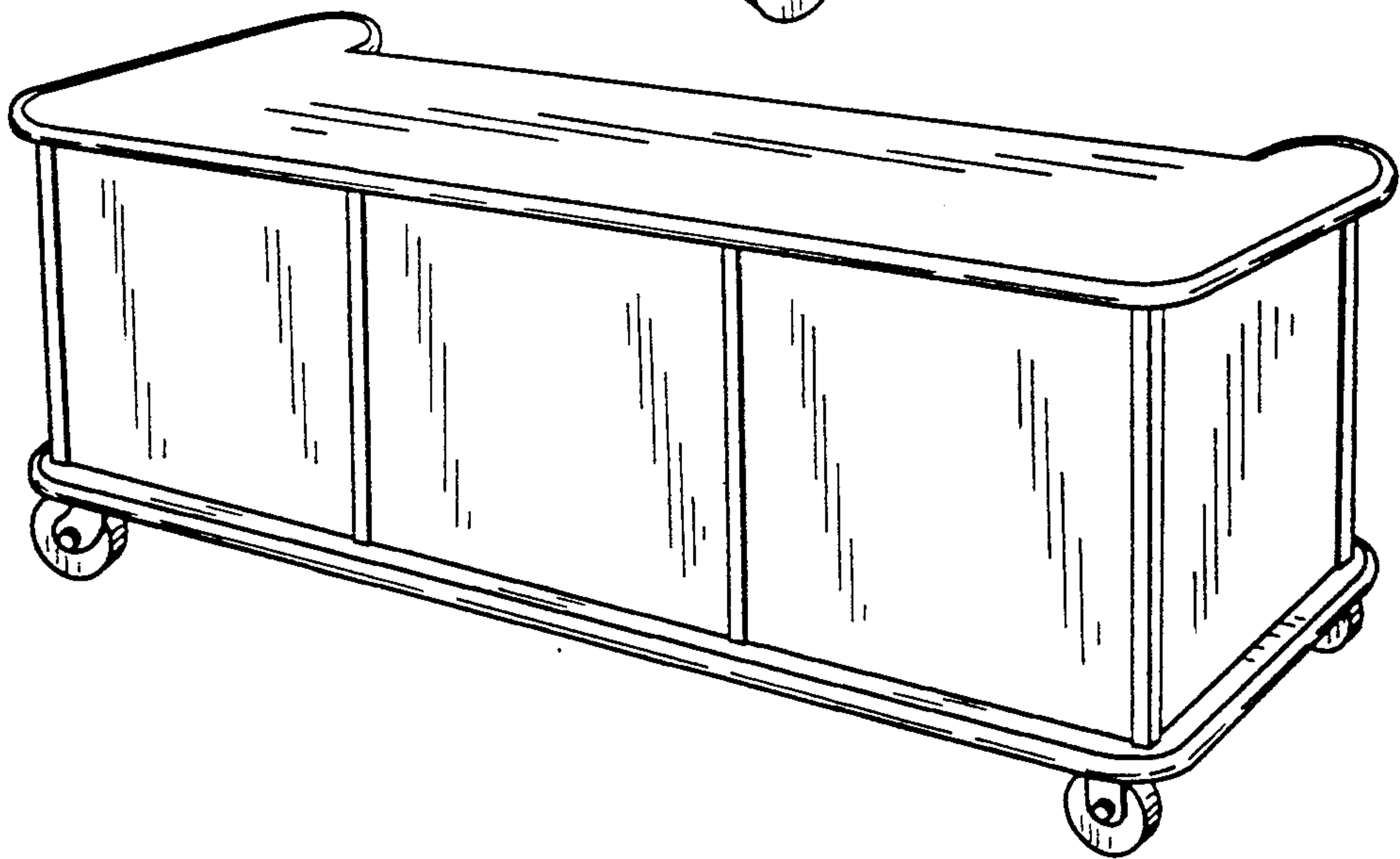


FIG. 3

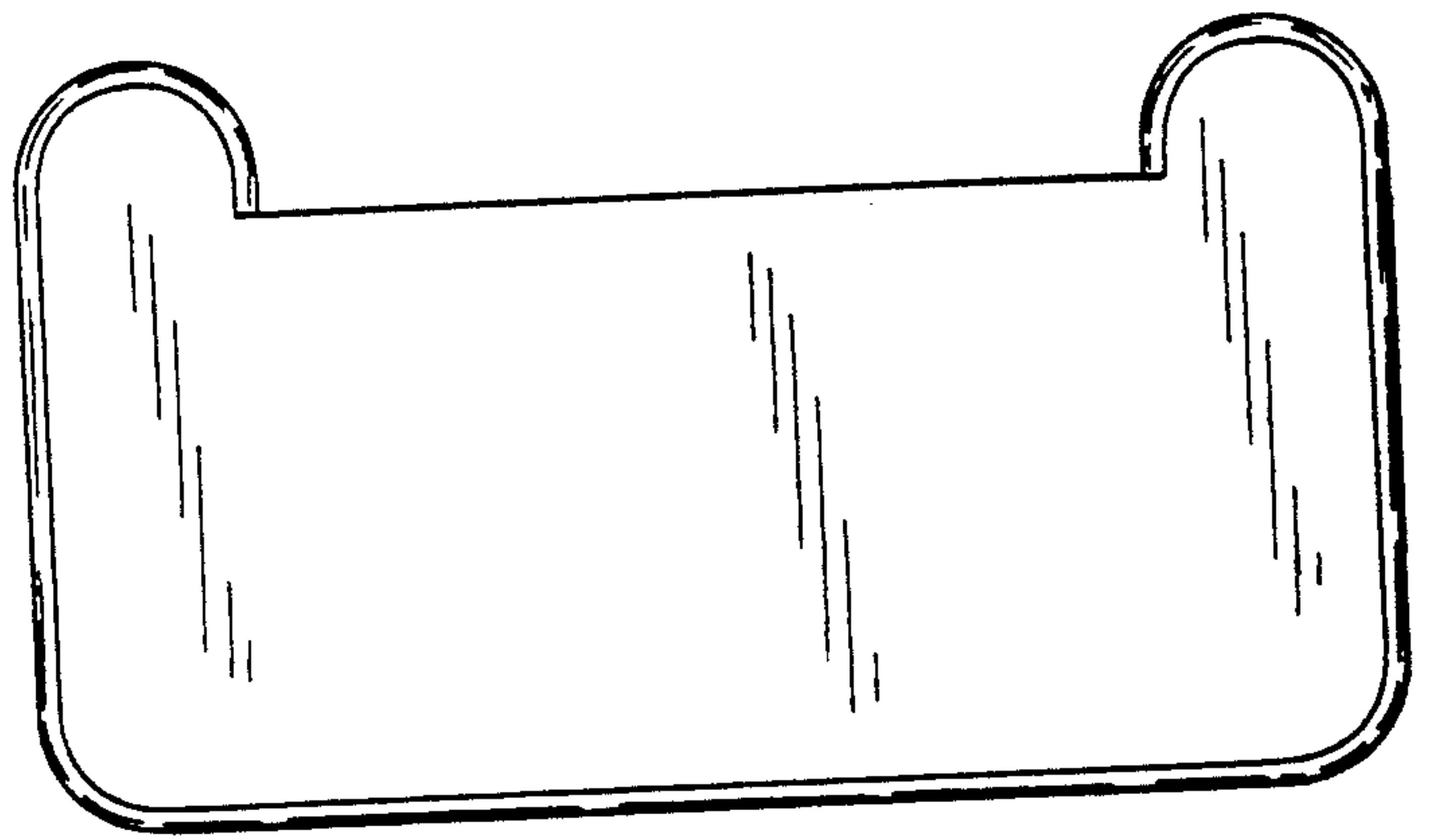


FIG. 4

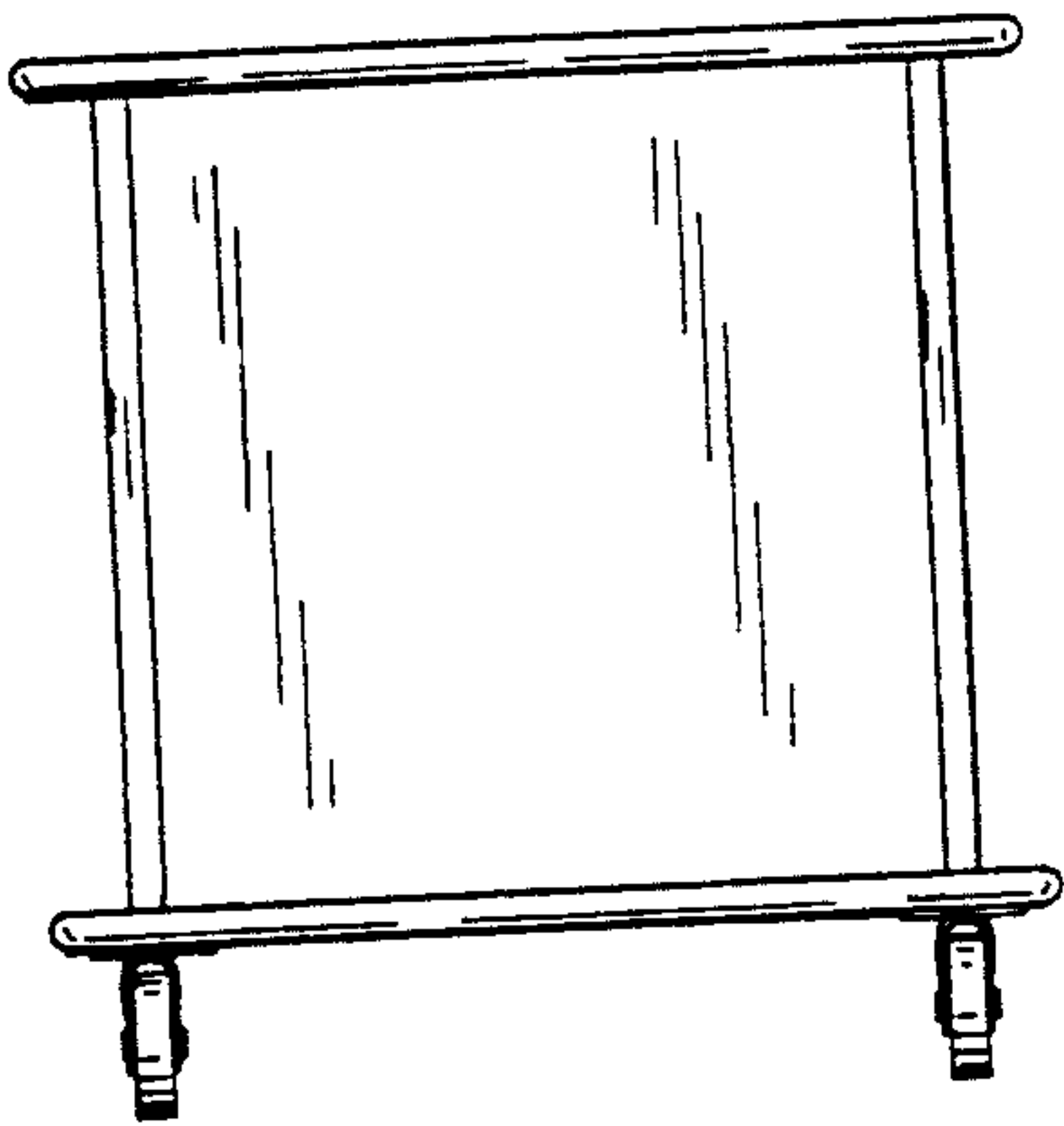


FIG. 5

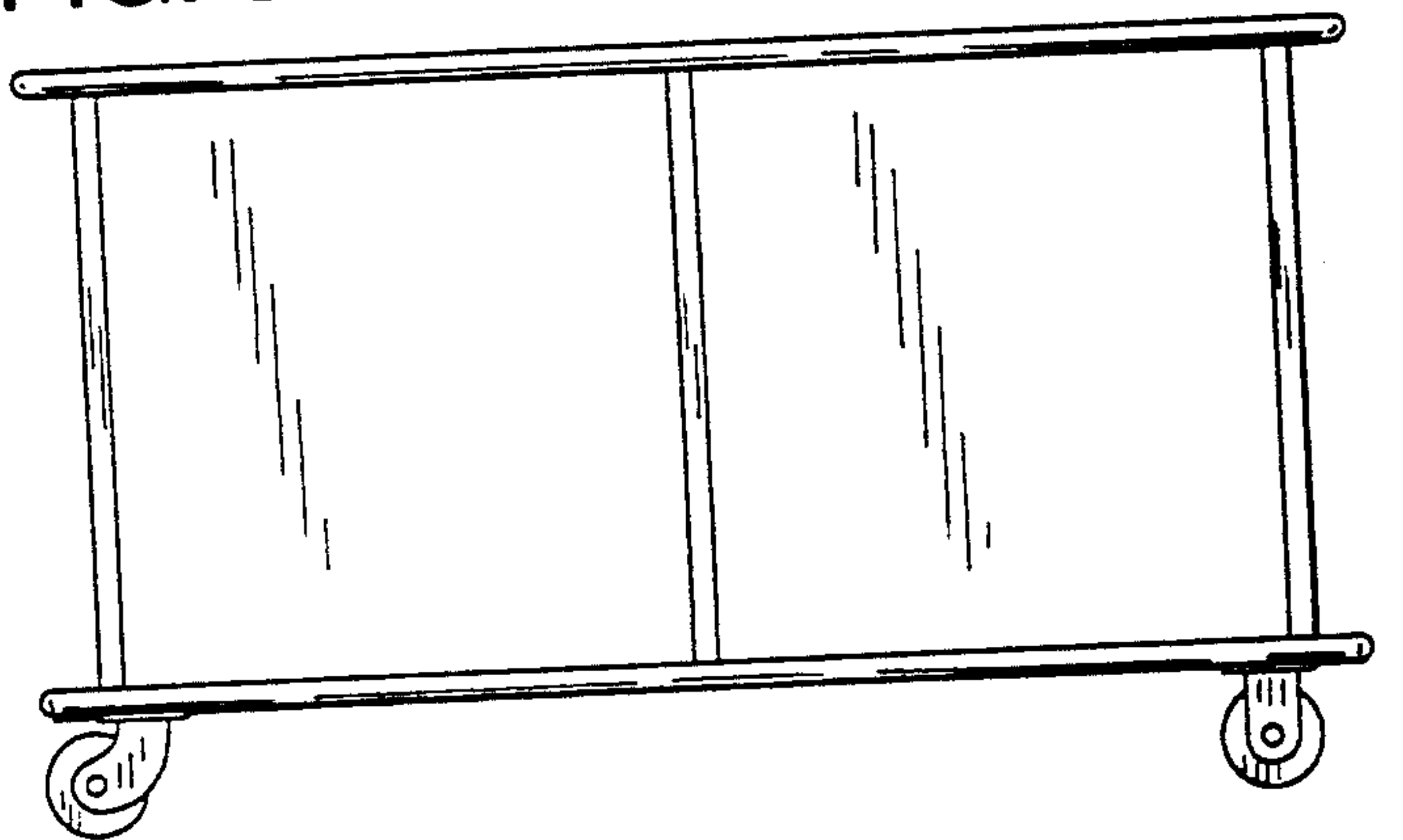


FIG. 6

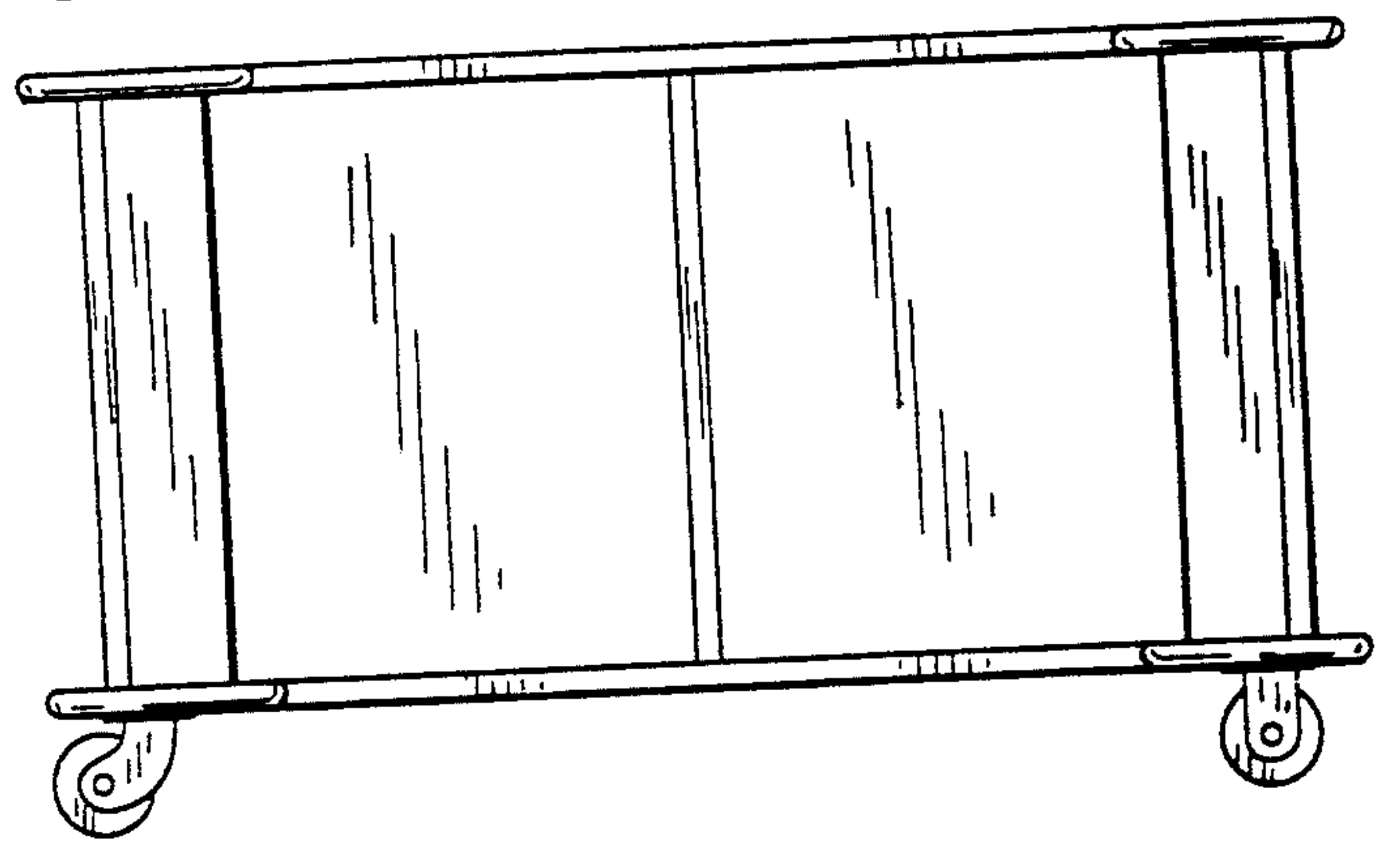


FIG. 7

