



US00D341008S

United States Patent [19]

[11] Patent Number: **Des. 341,008**

Berfield et al.

[45] Date of Patent: **** Nov. 2, 1993**

[54] **WHEELED TANK FOR A PRESSURE WASHER**

4,266,317	5/1981	Duda	15/321
4,327,459	5/1982	Gilbert	15/321
4,864,680	9/1989	Blase et al.	15/321
4,910,828	3/1990	Blase et al.	15/322
5,146,647	9/1992	Blase et al.	15/321

[75] Inventors: **Robert C. Berfield**, Jersey Shore;
Ronald F. Meland, Muncy; **Craig A. Seasholtz**, Avis, all of Pa.

Primary Examiner—Ruth McInroy
Attorney, Agent, or Firm—Marshall, O'Toole, Gerstein,
Murray & Borun

[73] Assignee: **Shop-Vac Corporation**, Williamsport, Pa.

[**] Term: **14 Years**

[57] **CLAIM**

[21] Appl. No.: **641,554**

The ornamental design for a wheeled tank for a pressure washer, as shown and described.

[22] Filed: **Feb. 14, 1991**

[52] U.S. Cl. **D32/1; D32/21**

DESCRIPTION

[58] Field of Search **D23/223, 225, 226; D32/1, 15, 17, 21; D15/7, 9, 13; 15/3.5, 344, 327.1; 137/899.3, 899.4, 259; 220/4.12, 4.13**

FIG. 1 is a front perspective view taken from the above of a wheeled tank for a pressure washer showing our new design;

[56] **References Cited**

U.S. PATENT DOCUMENTS

D. 217,399	4/1970	Whitney	D15/7
D. 284,885	7/1986	Nakamura	D23/225
D. 314,420	2/1991	Tomatsu	D23/225

FIG. 2 is a top plan view thereof;
FIG. 3 is a bottom plan view thereof;
FIG. 4 is a right side view thereof;
FIG. 5 is a left side view thereof;
FIG. 6 is a front view thereof; and,
FIG. 7 is a rear view thereof.

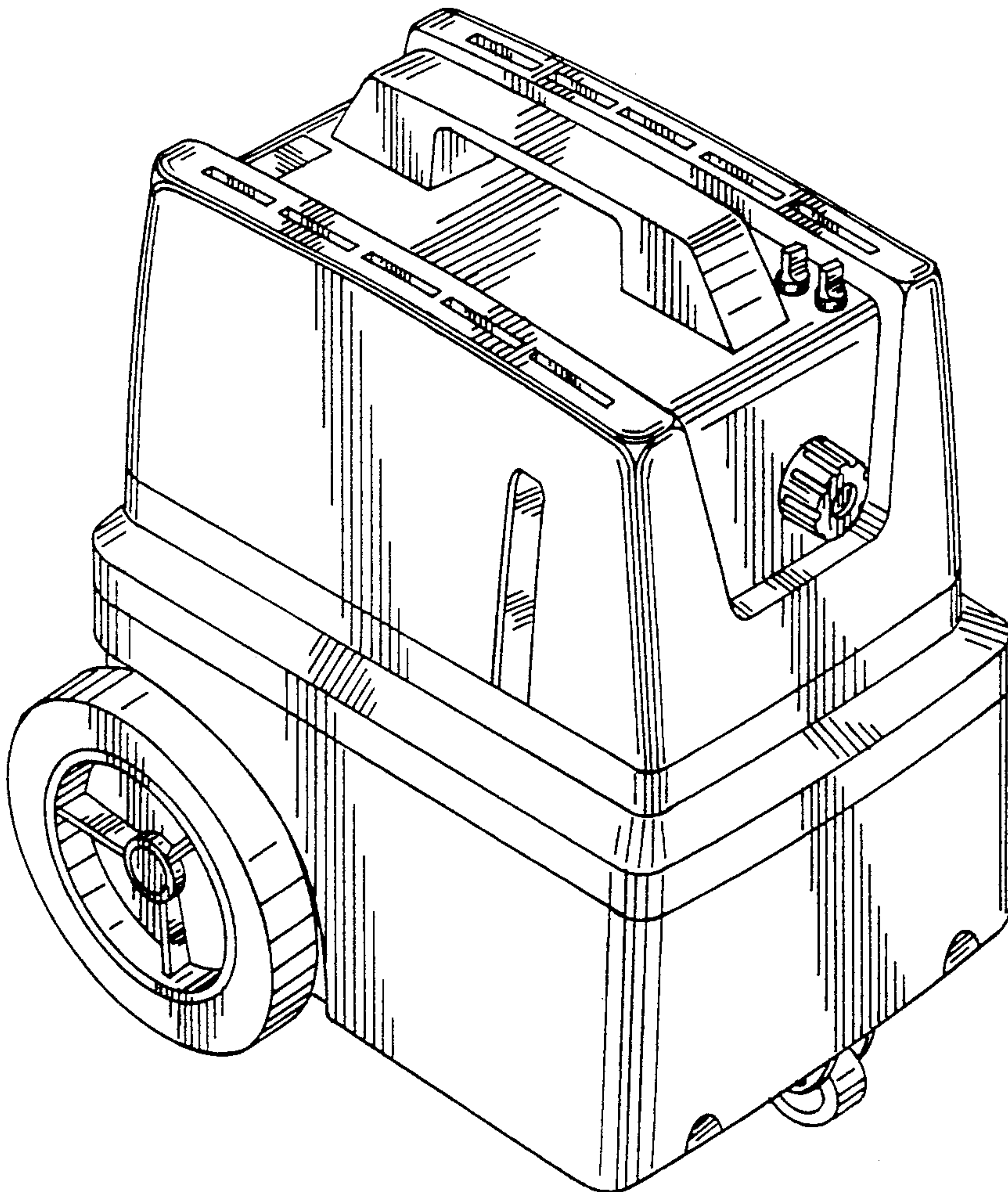


FIG. 1

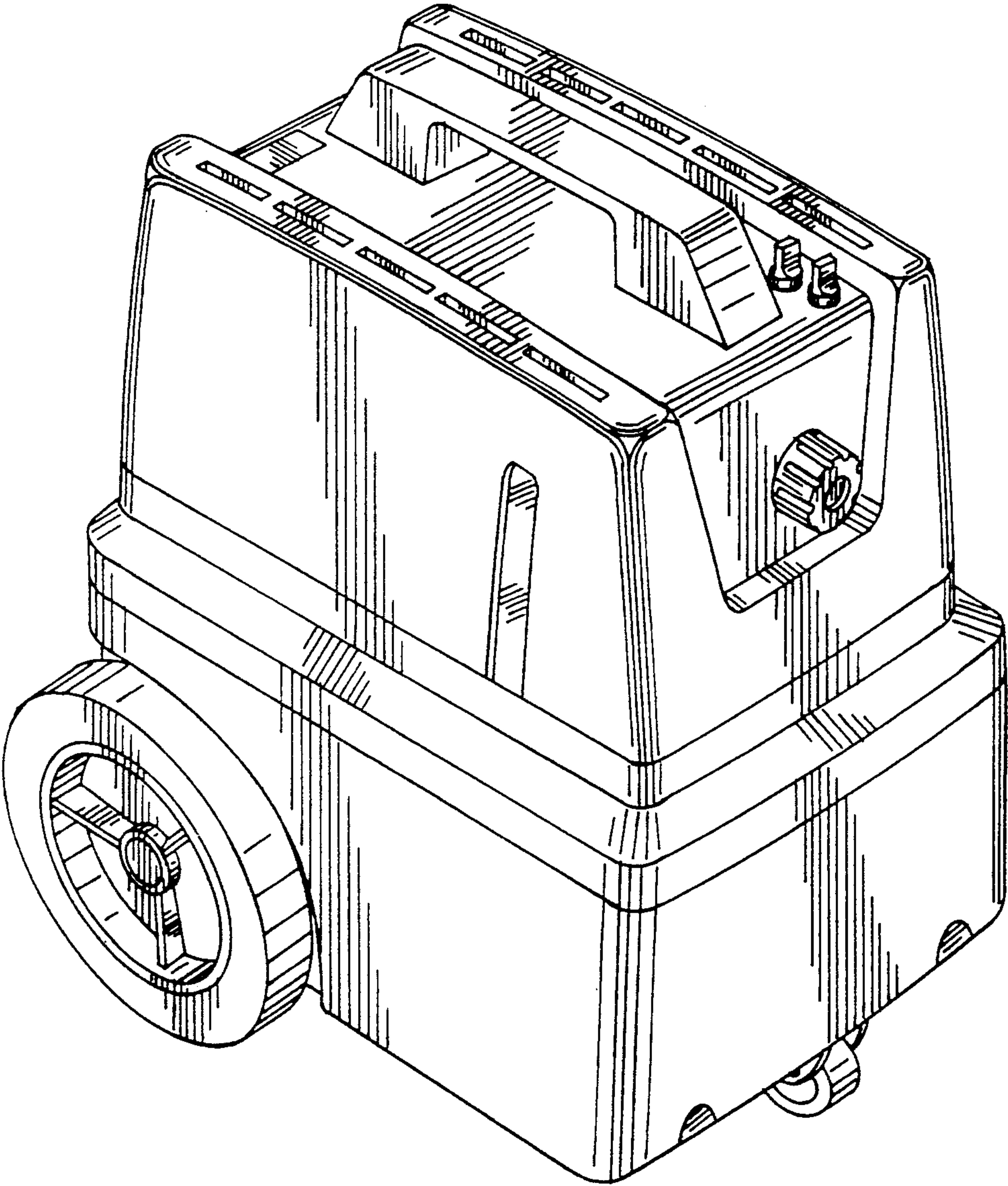


FIG.2

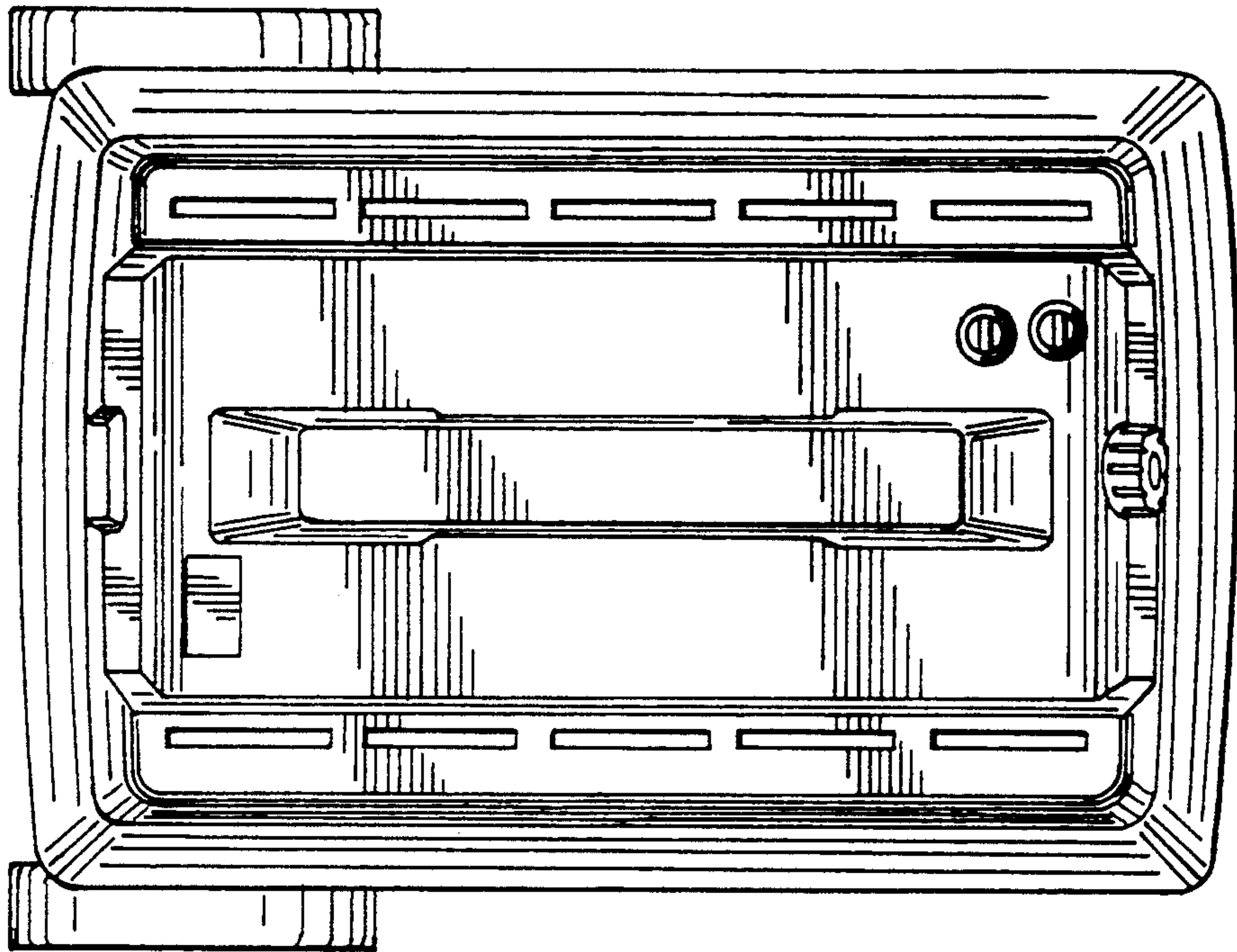


FIG.3

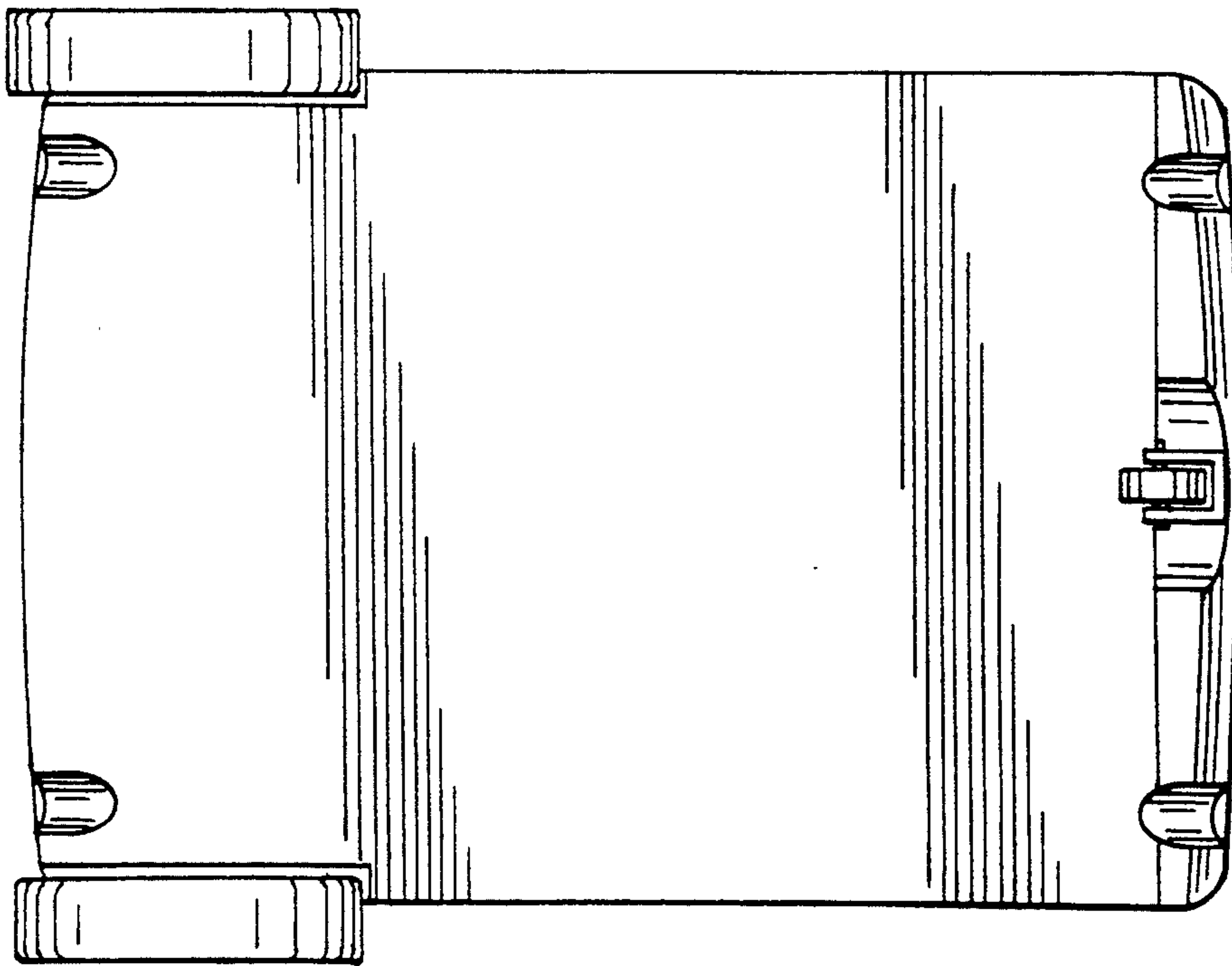


FIG.4

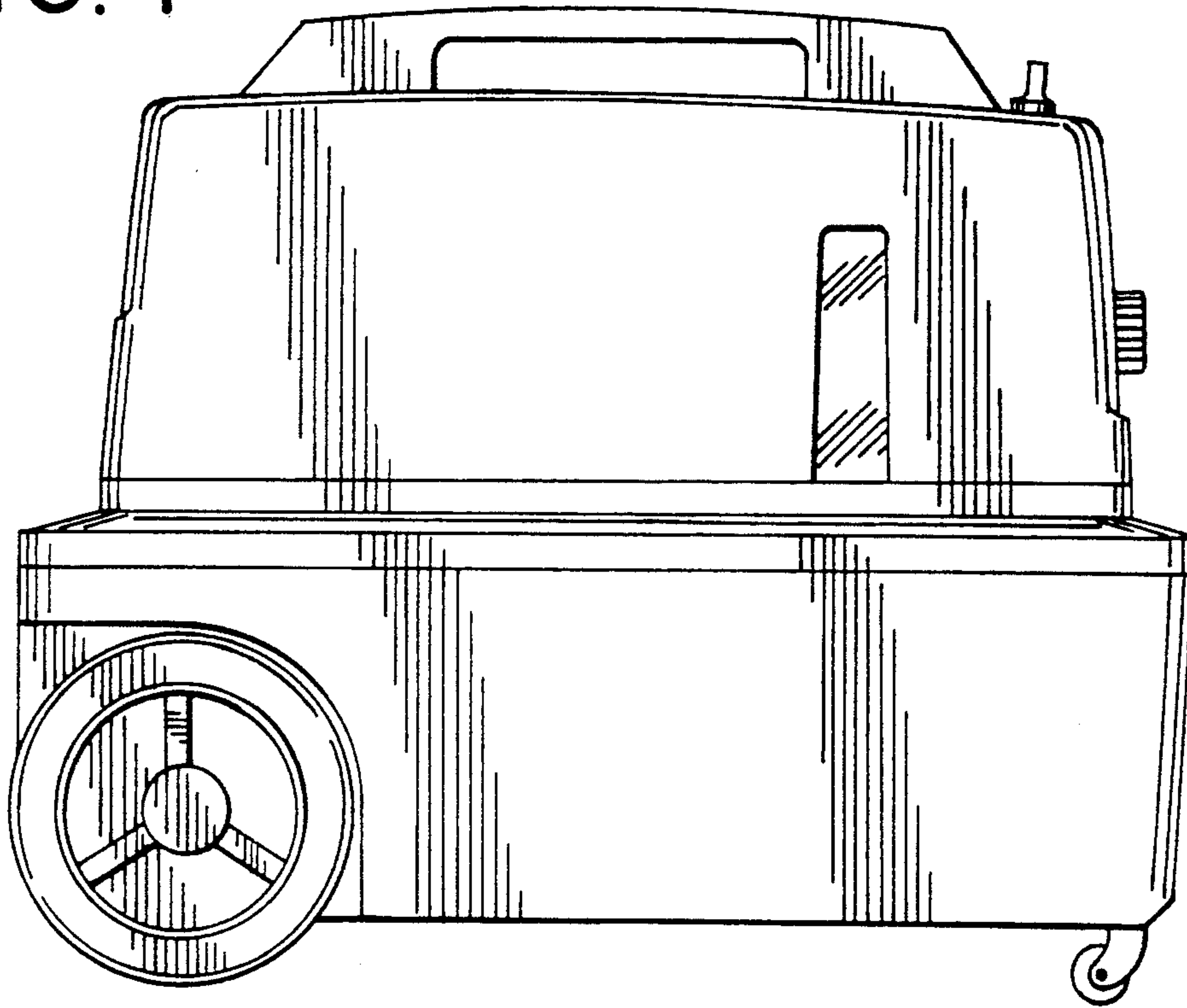


FIG.5

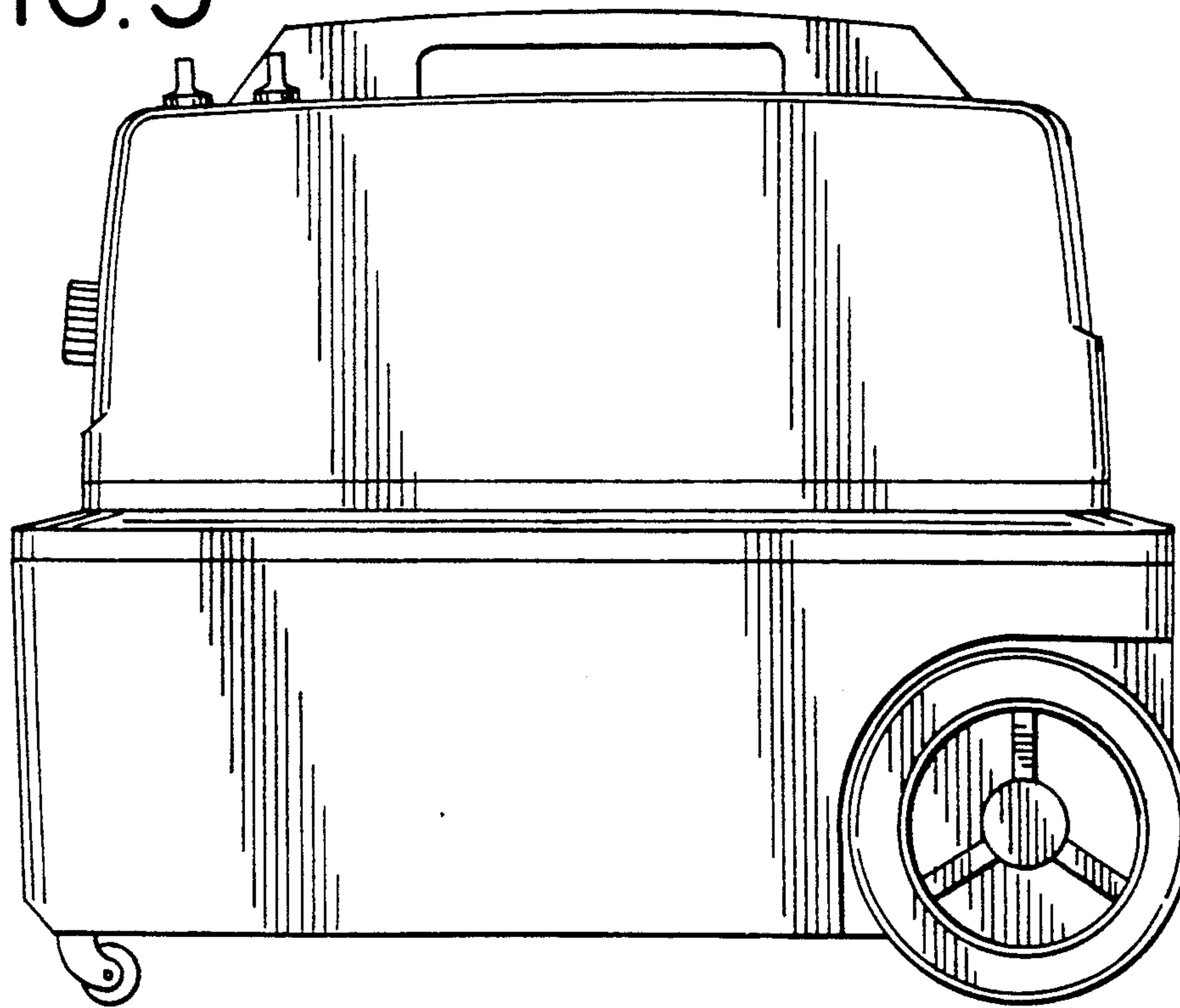


FIG. 6

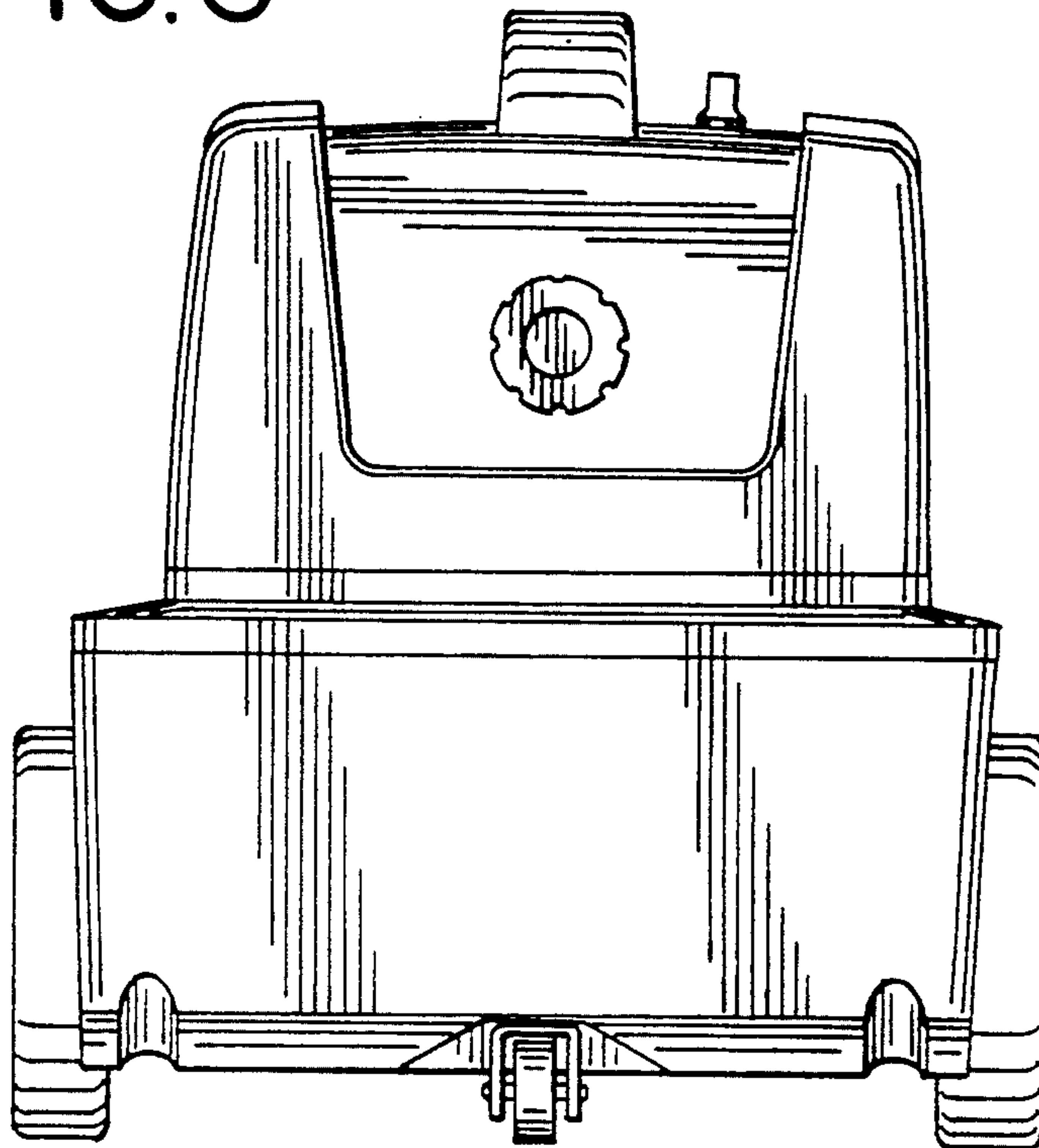


FIG. 7

