



US00D341007S

United States Patent [19]

[11] Patent Number: **Des. 341,007**

Haug et al.

[45] Date of Patent: **** Nov. 2, 1993**

[54] **SLIDABLE SHOWER HEAD HOLDER AND WALL BAR**

1494198 7/1967 France 248/75

[75] Inventors: **Andreas Haug; Thomas Schoenherr**, both of Stuttgart, Fed. Rep. of Germany

OTHER PUBLICATIONS

"Hansaronda, jetzt auch in Bicolor-Edelmatt Messing" brochure Hansa, Mar. 1990.

[73] Assignee: **Hans Grohe GmbH & Co. KG**, Fed. Rep. of Germany

Primary Examiner—Kay H. Chin
Attorney, Agent, or Firm—Eckert Seamans Cherin & Mellott

[**] Term: **14 Years**

[57] CLAIM

[21] Appl. No.: **733,278**

The ornamental design for a slidable shower head holder and wall bar, as shown and described.

[22] Filed: **Jul. 22, 1991**

[30] Foreign Application Priority Data

Jan. 22, 1991 [DE] Fed. Rep. of Germany 9100530

[52] U.S. Cl. **D23/223; D23/229**

[58] Field of Search **D23/223, 229; 4/567, 4/568, 569, 570, 599, 601, 602, 603, 596, 615, 597, 675; 248/75**

DESCRIPTION

FIG. 1 is a side perspective view of a slidable shower head holder showing our new design, the wallbar being omitted for convenience of illustration;
FIG. 2 is a left side elevational view of FIG. 1;
FIG. 3 is a bottom plan view of FIG. 1;
FIG. 4 is a front elevational view of FIG. 1;
FIG. 5 is a top plan view of FIG. 1;
FIG. 6 is a right side elevational view of FIG. 1;
FIG. 7 is a rear elevational view of FIG. 1;
FIG. 8 is a side perspective view of a slidable shower head holder and wallbar;
FIG. 9 is a front elevational view of FIG. 8;
FIG. 10 is a rear elevational view of FIG. 8;
FIG. 11 is a side elevational view of FIG. 8, the opposite side elevational view being a mirror image of that shown;
FIG. 12 is a top plan view of FIG. 8; and,
FIG. 13 is a bottom plan view of FIG. 8.

[56] References Cited

U.S. PATENT DOCUMENTS

- D. 291,912 9/1987 Fabian D23/223
- D. 333,339 2/1993 Klose D23/223
- 3,837,013 9/1974 Davis et al. 248/75
- 4,174,822 11/1979 Larsson 248/75
- 4,238,096 12/1980 Dvorachek 248/75
- 4,719,654 1/1988 Blessing 4/596

FOREIGN PATENT DOCUMENTS

- 2742112 3/1978 Fed. Rep. of Germany .
- 7800834 4/1978 Fed. Rep. of Germany .

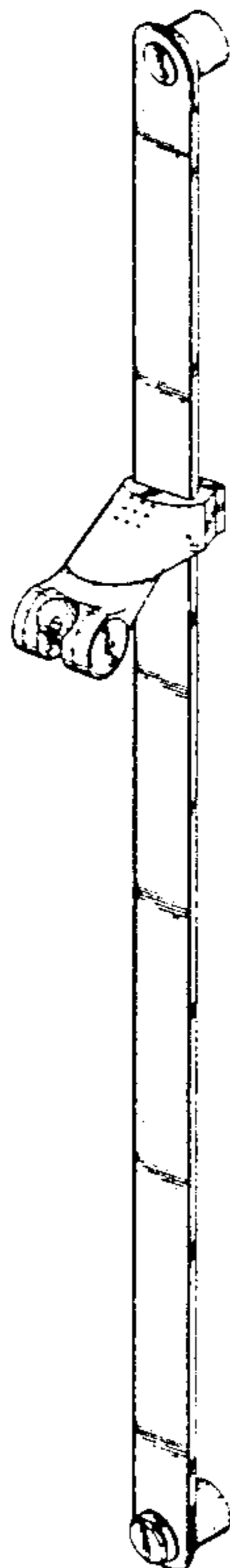
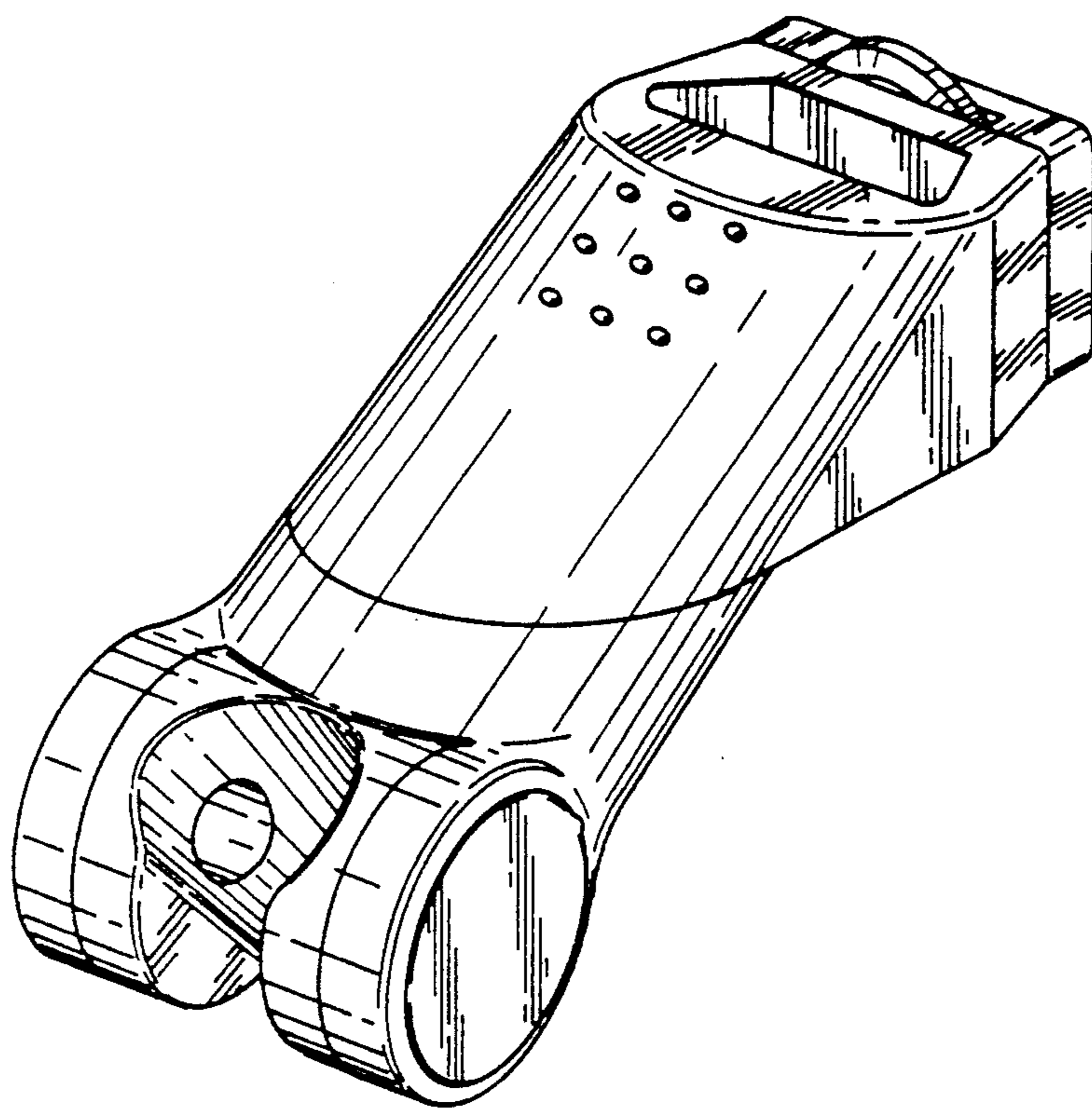


FIG. 1



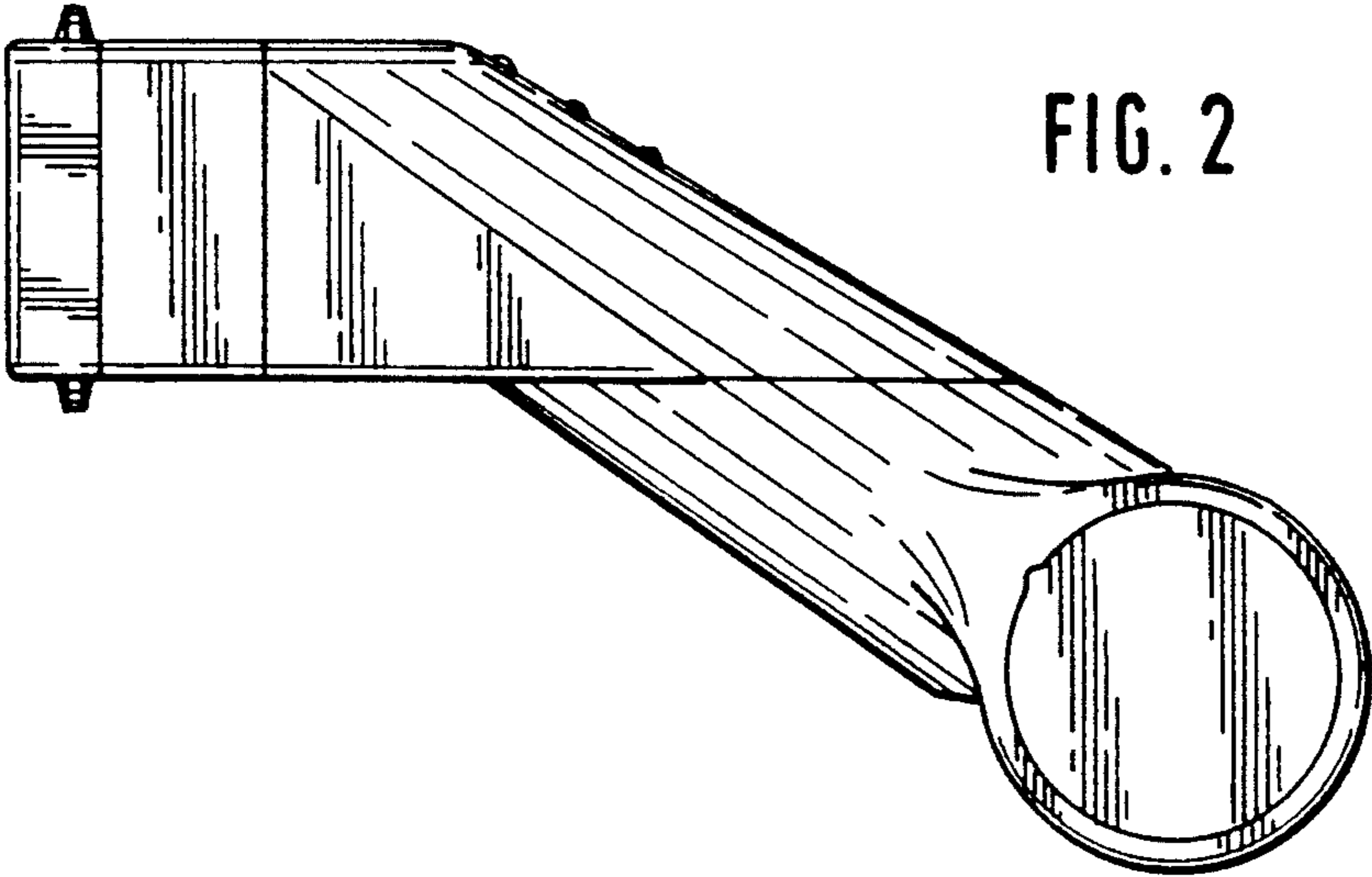


FIG. 2

FIG. 3

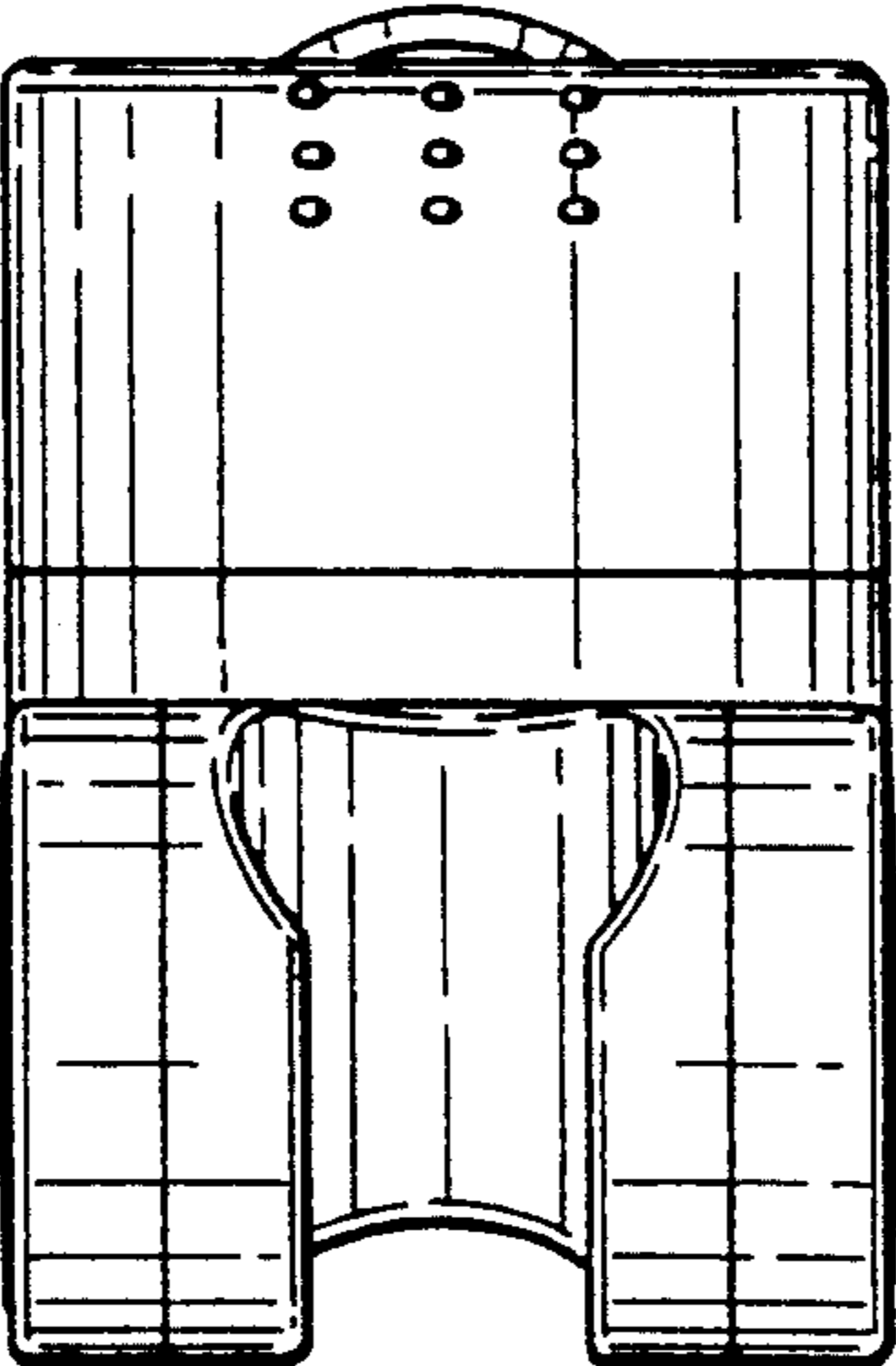
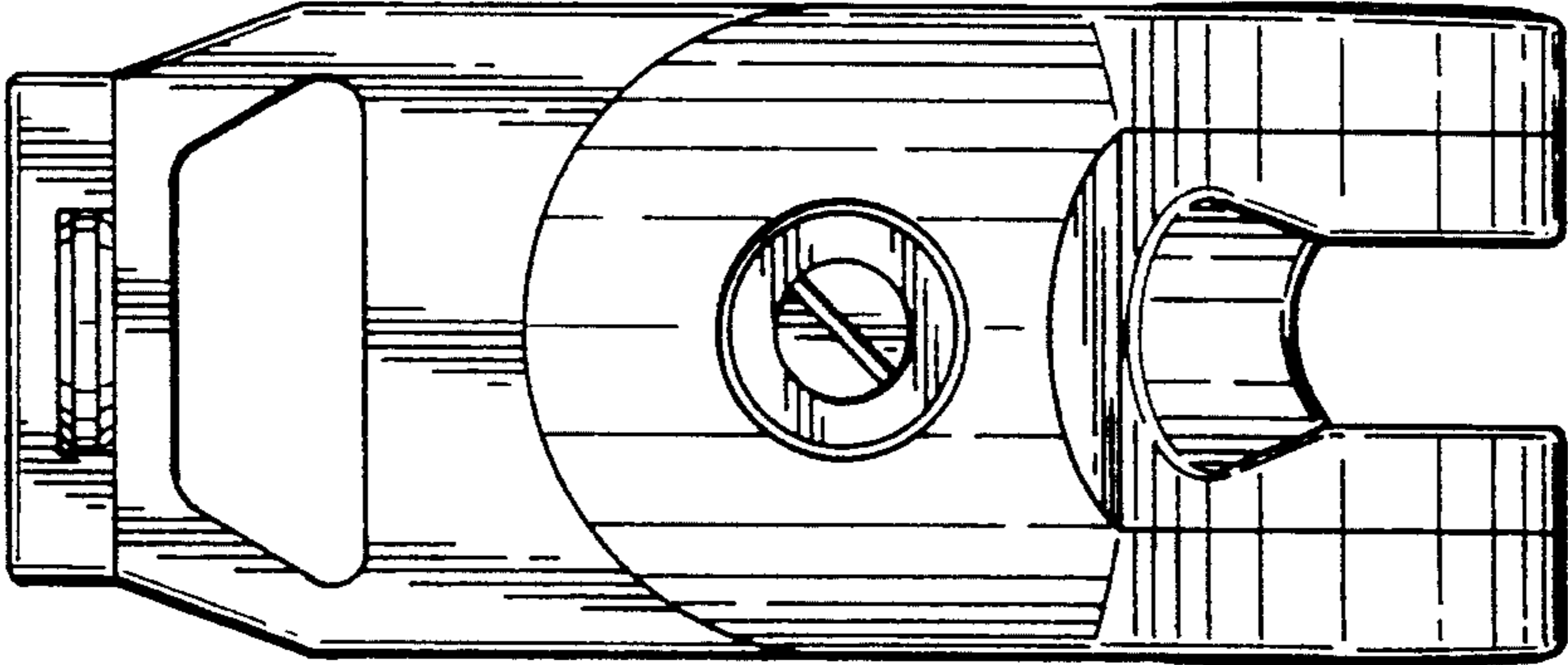


FIG. 4

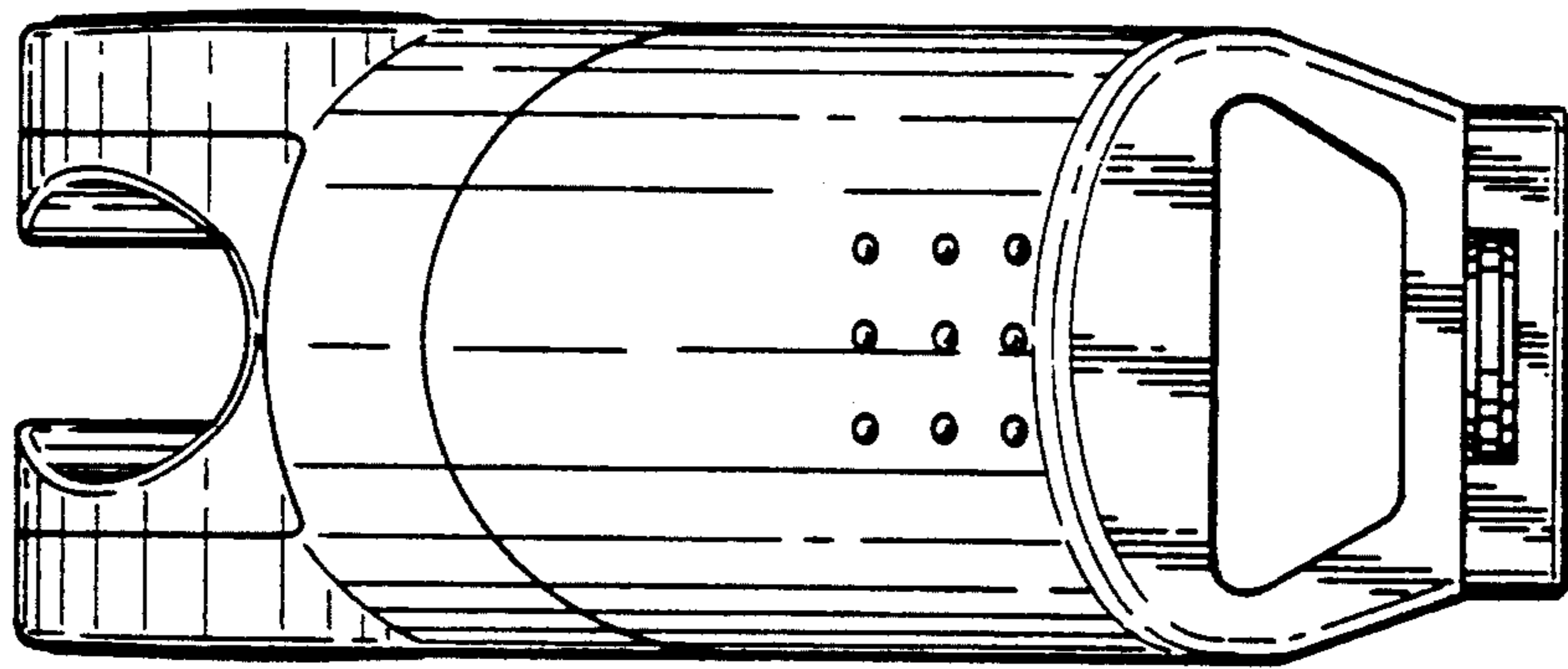


FIG. 5

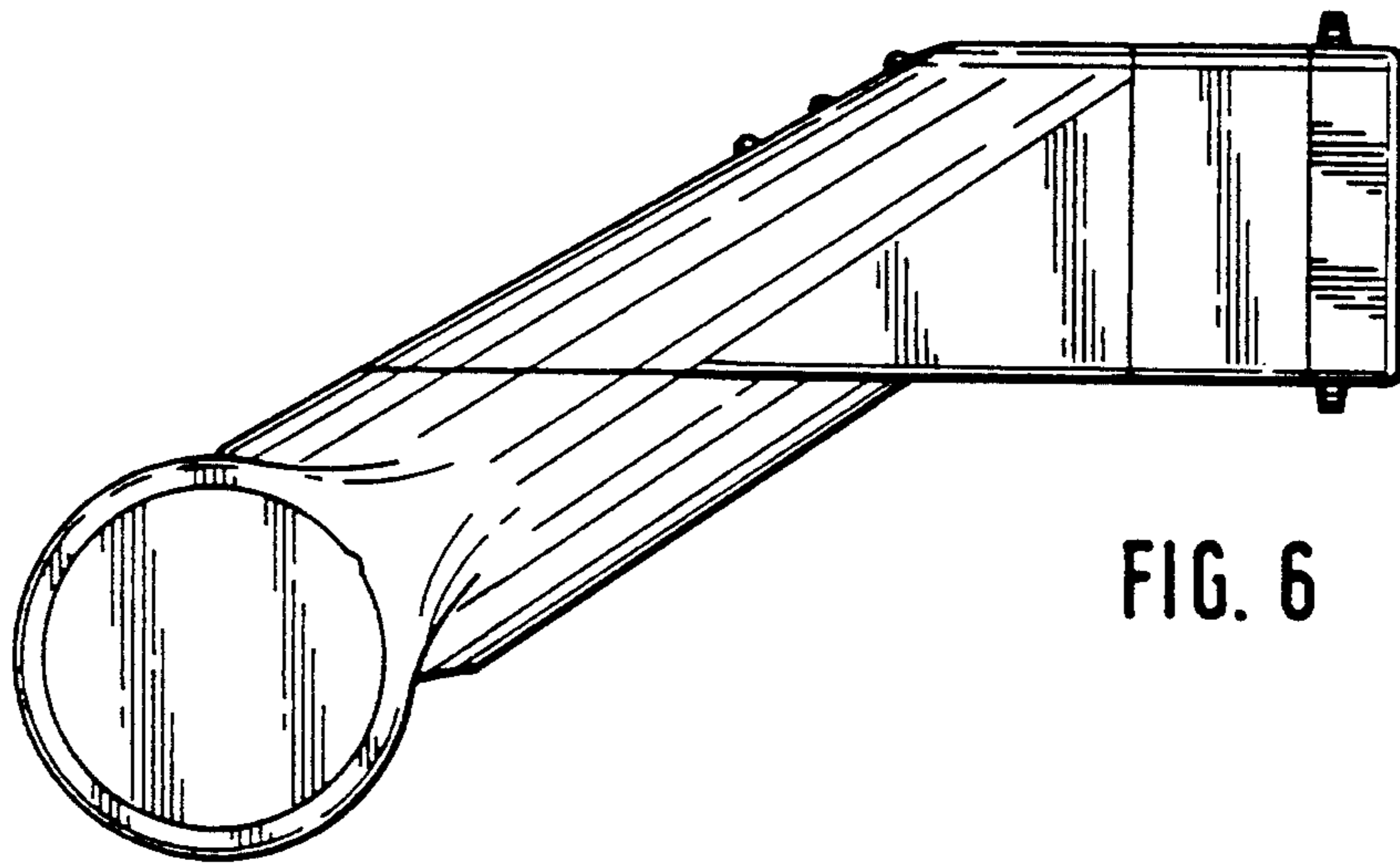


FIG. 6

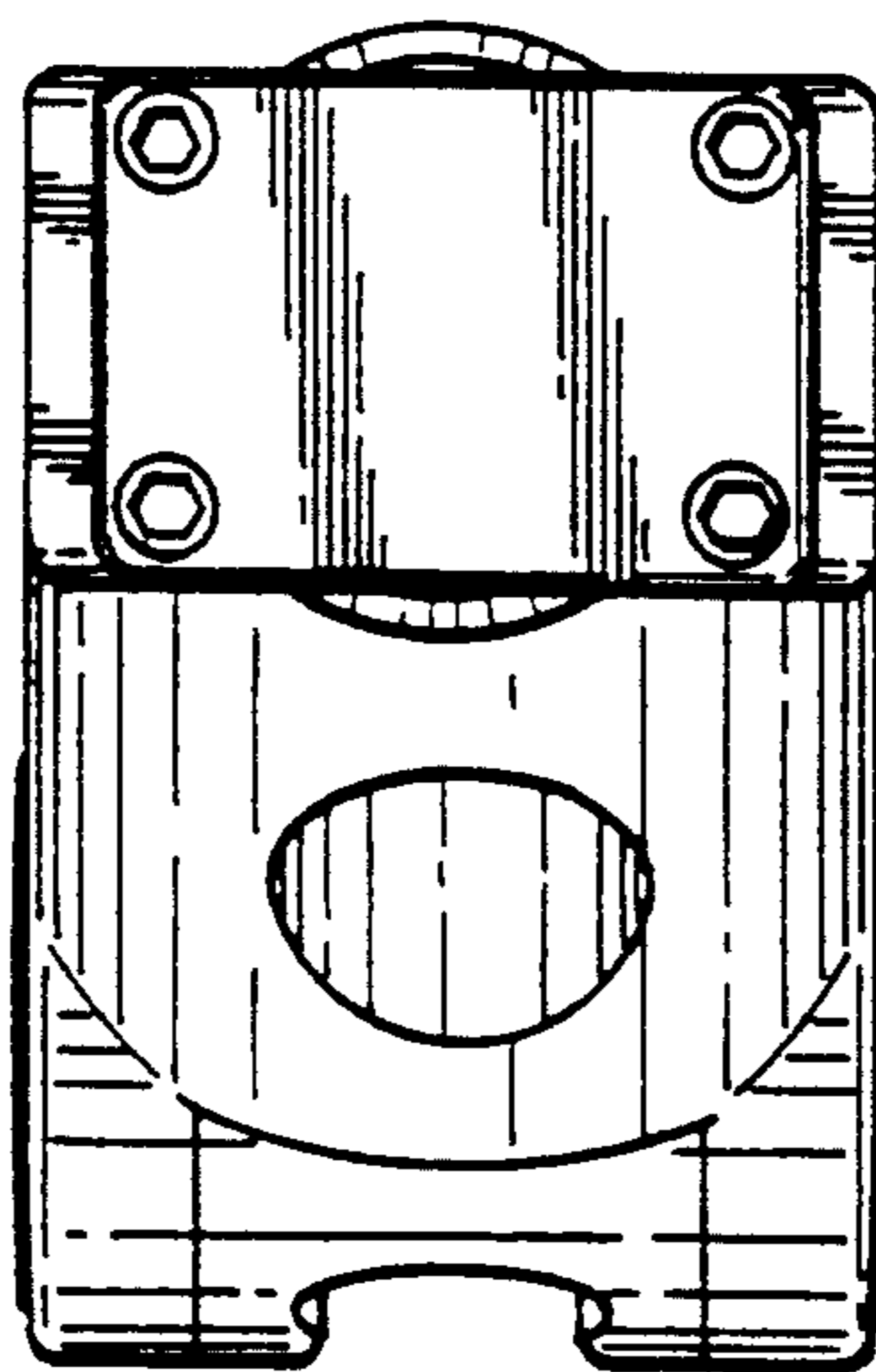


FIG. 7

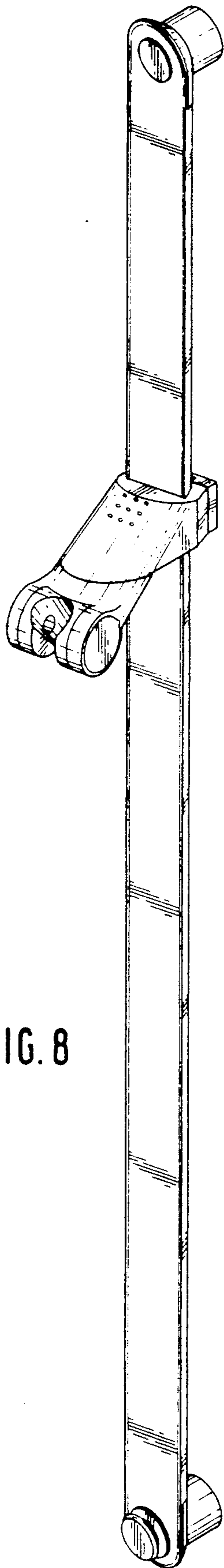


FIG. 10

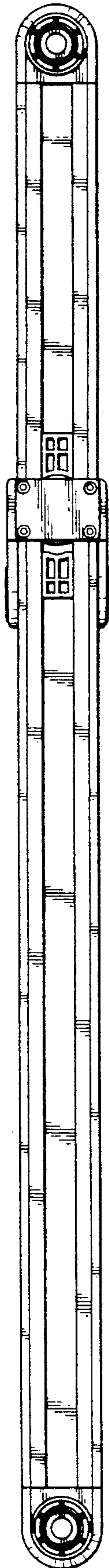


FIG. 11

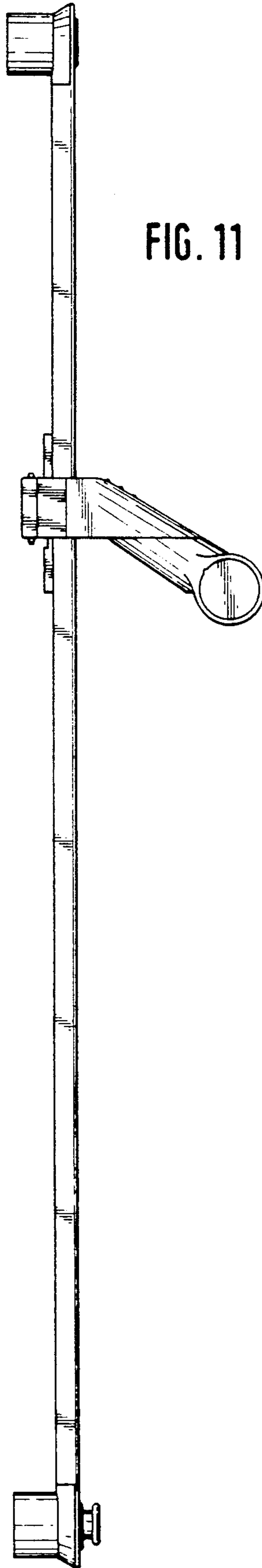


FIG. 12

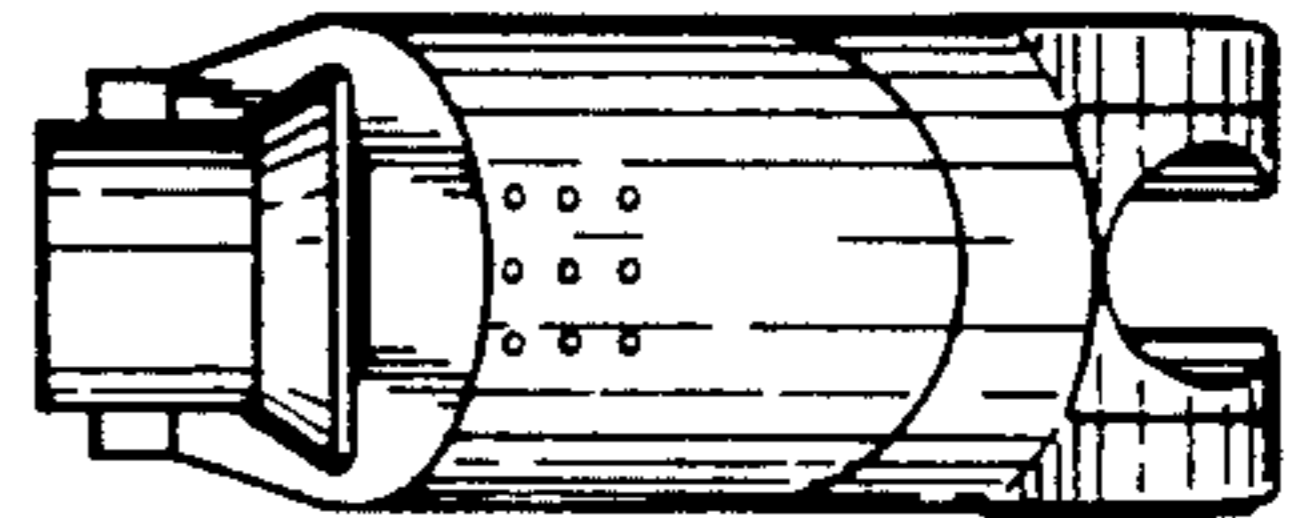


FIG. 13

