



US00D340995S

United States Patent [19]

[11] Patent Number: Des. 340,995

Nickel

[45] Date of Patent: ** Nov. 2, 1993

[54] SCAFFOLDING

4,640,385 2/1987 Underhill 182/181
4,823,913 4/1989 Riegel .

[76] Inventor: Shane L. Nickel, 1050 District Line Rd., Burlington, Wash. 98233

Primary Examiner—A. Hugo Word
Assistant Examiner—Doris Clark
Attorney, Agent, or Firm—Terry M. Gernstein

[**] Term: 14 Years

[21] Appl. No.: 570,369

[57] CLAIM

[22] Filed: Aug. 21, 1990

The ornamental design for a scaffolding, as shown and described.

[52] U.S. Cl. D25/66

[58] Field of Search D25/62, 66; 182/141, 182/149, 179, 225, 181; 248/235

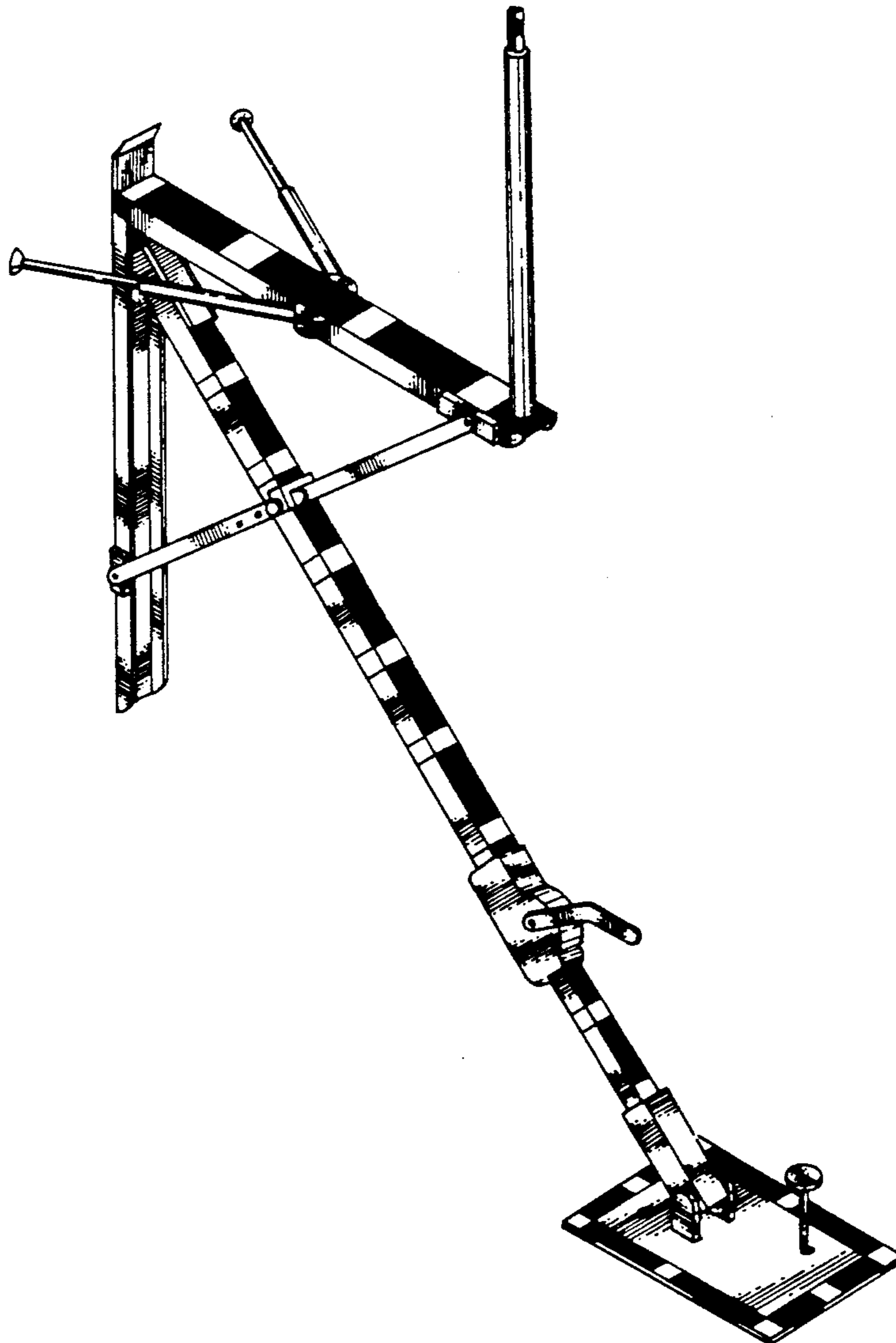
DESCRIPTION

[56] References Cited

U.S. PATENT DOCUMENTS

403,636	5/1889	Bitterly	182/225
494,358	3/1893	Weeks	182/181
1,725,168	8/1929	Willis .	
4,207,966	6/1980	Aubin et al.	182/181
4,226,301	10/1980	McDaniel .	

FIG. 1 is a perspective view of a scaffolding showing my new design;
FIG. 2 is a side elevational view thereof, the side opposite being a mirror image of the side shown in FIG. 2;
FIG. 3 is an end elevational view thereof; and,
FIG. 4 is a top plan view thereof, it being noted that the bottom view of the cross ramp elements is identical in surface decoration to that shown in FIG. 4; and,
FIG. 5 is a bottom plan view thereof.



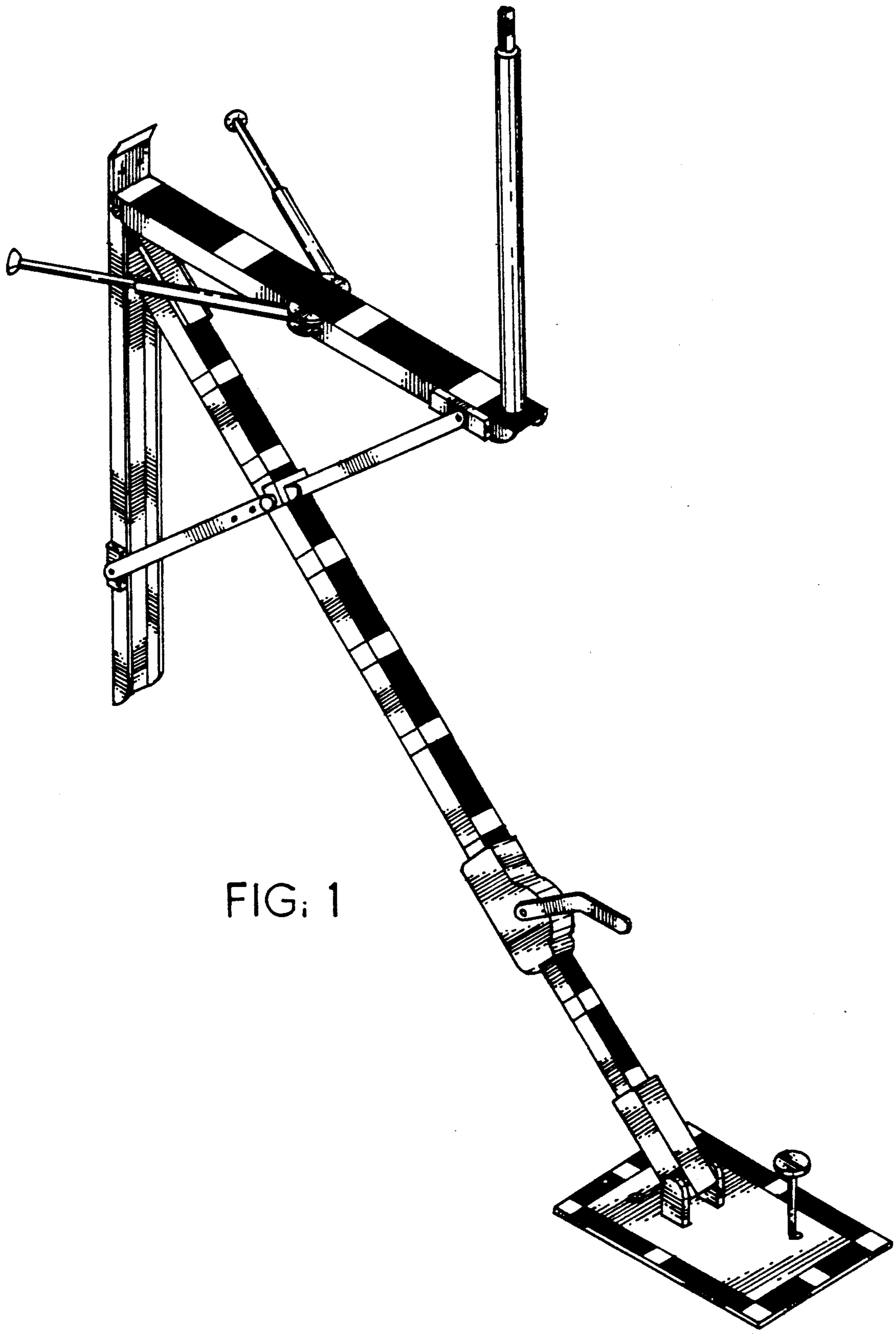


FIG. 1

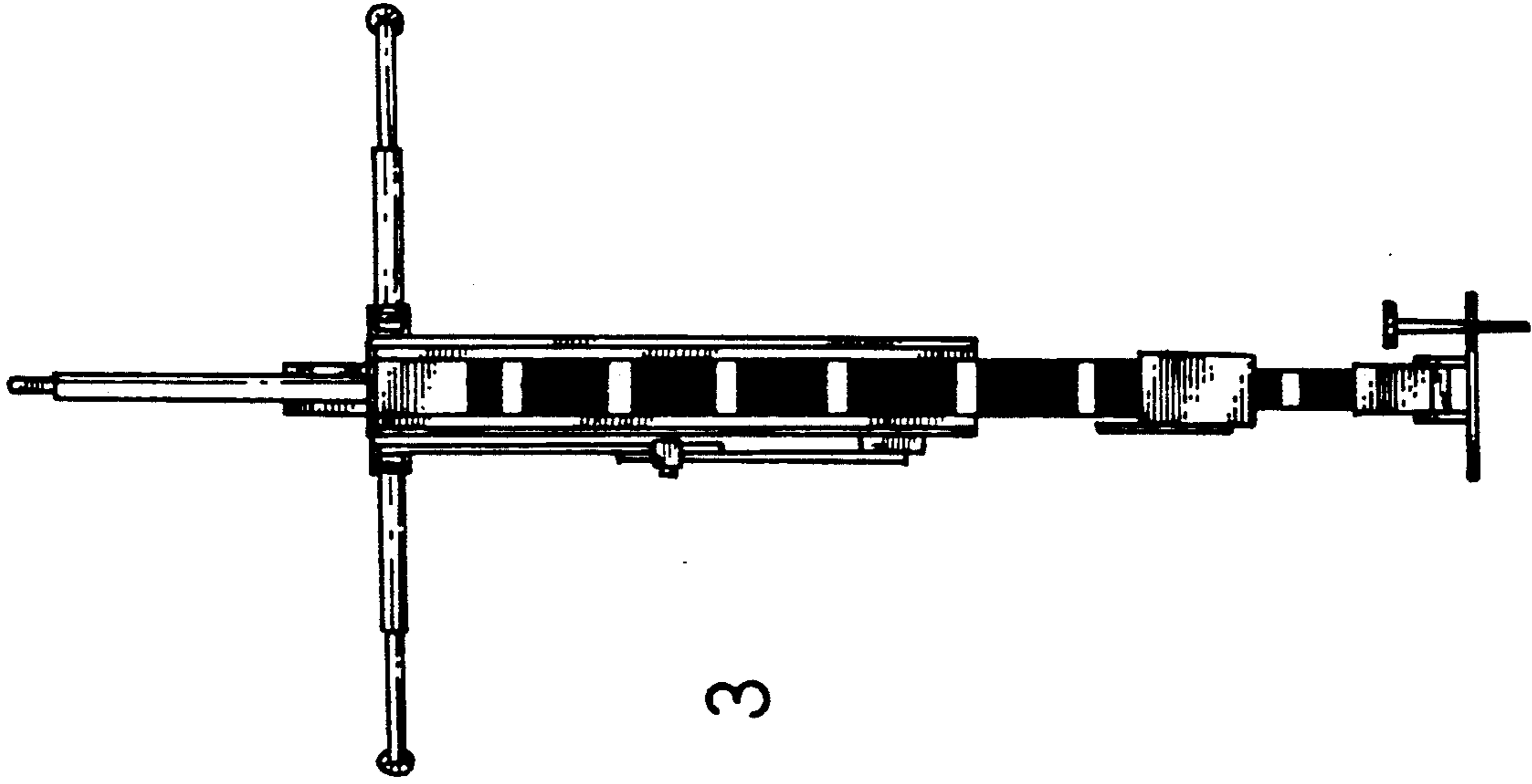


FIG. 3

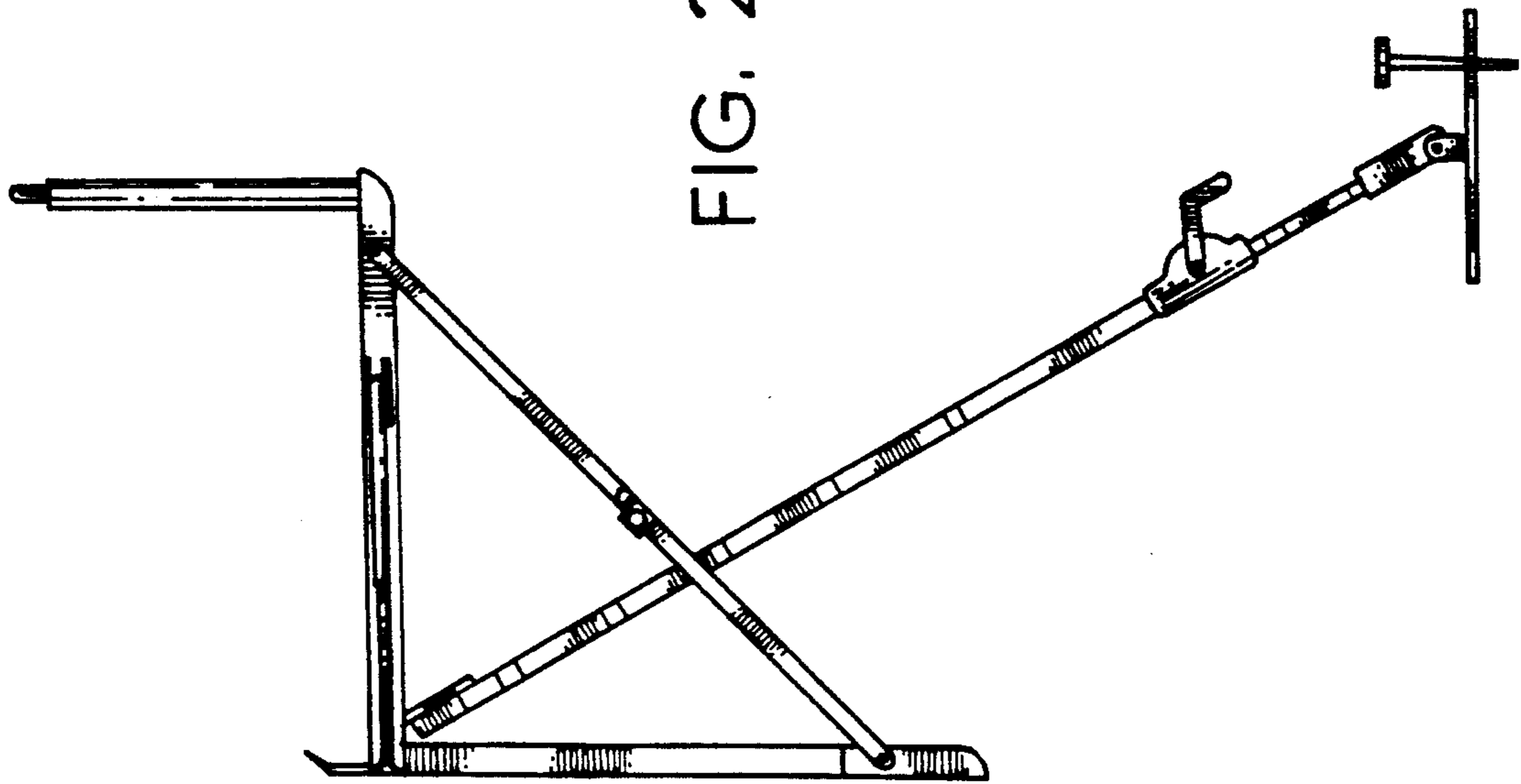


FIG. 2

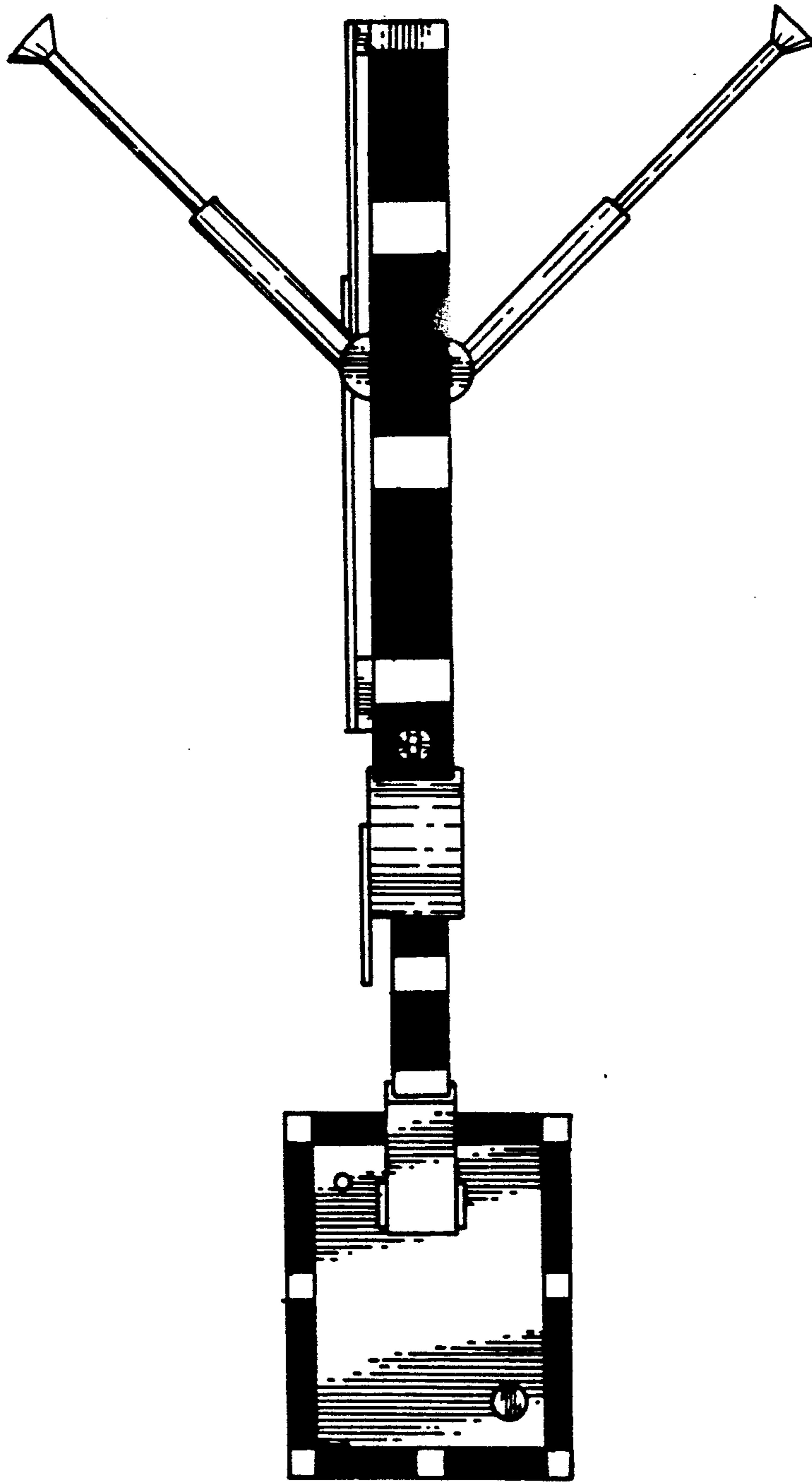


FIG. 4

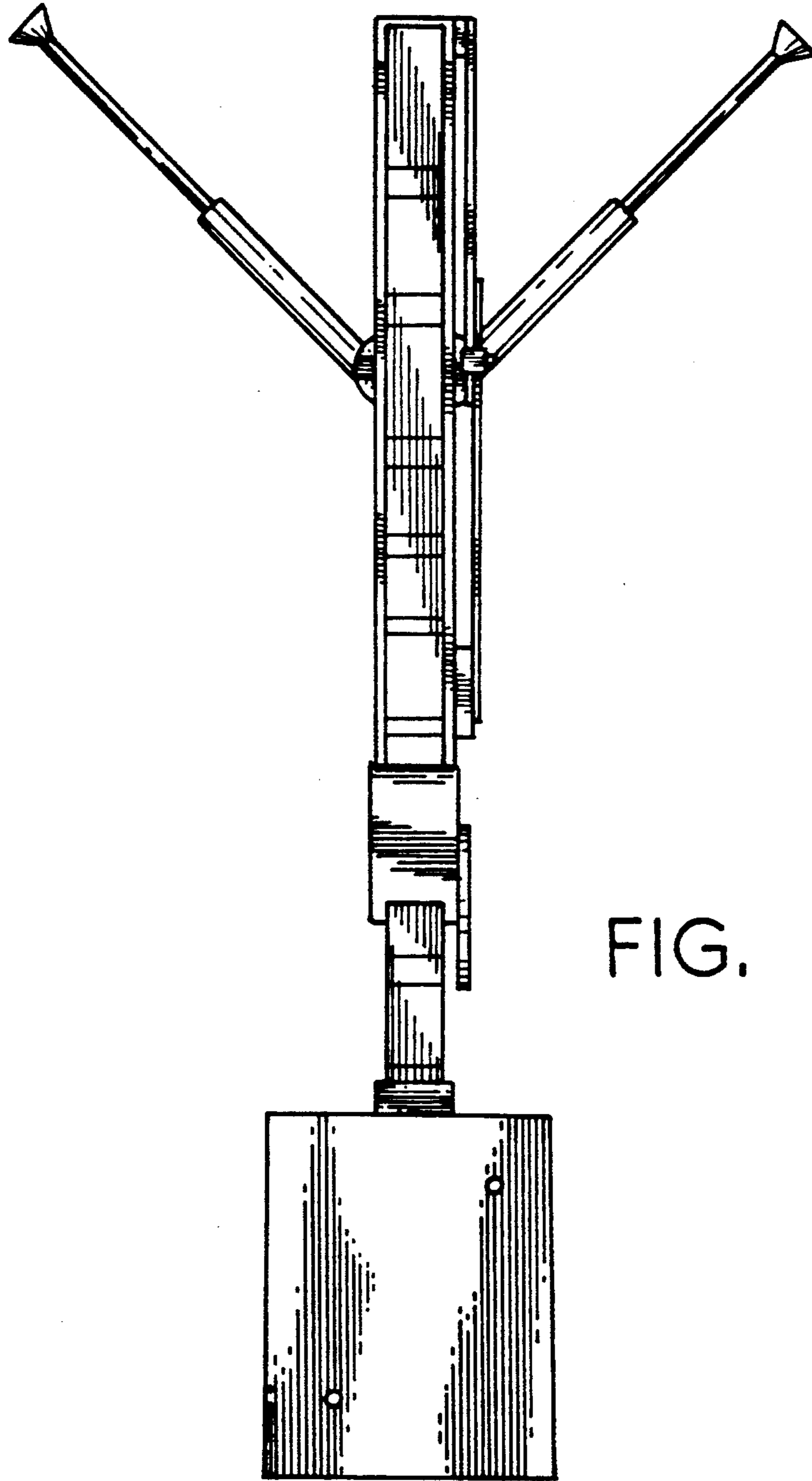


FIG. 5