



US00D340983S

United States Patent [19] Spielberg

[11] Patent Number: **Des. 340,983**

[45] Date of Patent: **** Nov. 2, 1993**

[54] **BLOOD FILTER HOUSING**

[75] Inventor: **Richard Spielberg, Alameda, Calif.**

[73] Assignee: **Miles Inc., Berkeley, Calif.**

[**] Term: **14 Years**

[21] Appl. No.: **656,903**

[22] Filed: **Feb. 19, 1991**

[52] U.S. Cl. **D24/162**

[58] Field of Search **D24/108, 129, 162, 164, D24/169, 167; 210/645, 927, 321.68; 604/126, 406, 408**

[56] **References Cited**

U.S. PATENT DOCUMENTS

D. 245,811	9/1977	Gies	D24/162
D. 305,934	2/1990	Sone	D24/162
D. 319,504	8/1991	Sone et al.	D24/169 X
D. 328,493	8/1992	Kuroda et al.	D24/162
4,170,056	10/1979	Meyst et al.	D24/162 X
4,341,538	7/1982	Vadnay et al.	D24/162 X
4,453,927	6/1984	Sinko	604/52
4,935,002	6/1990	Gordon	210/645 X

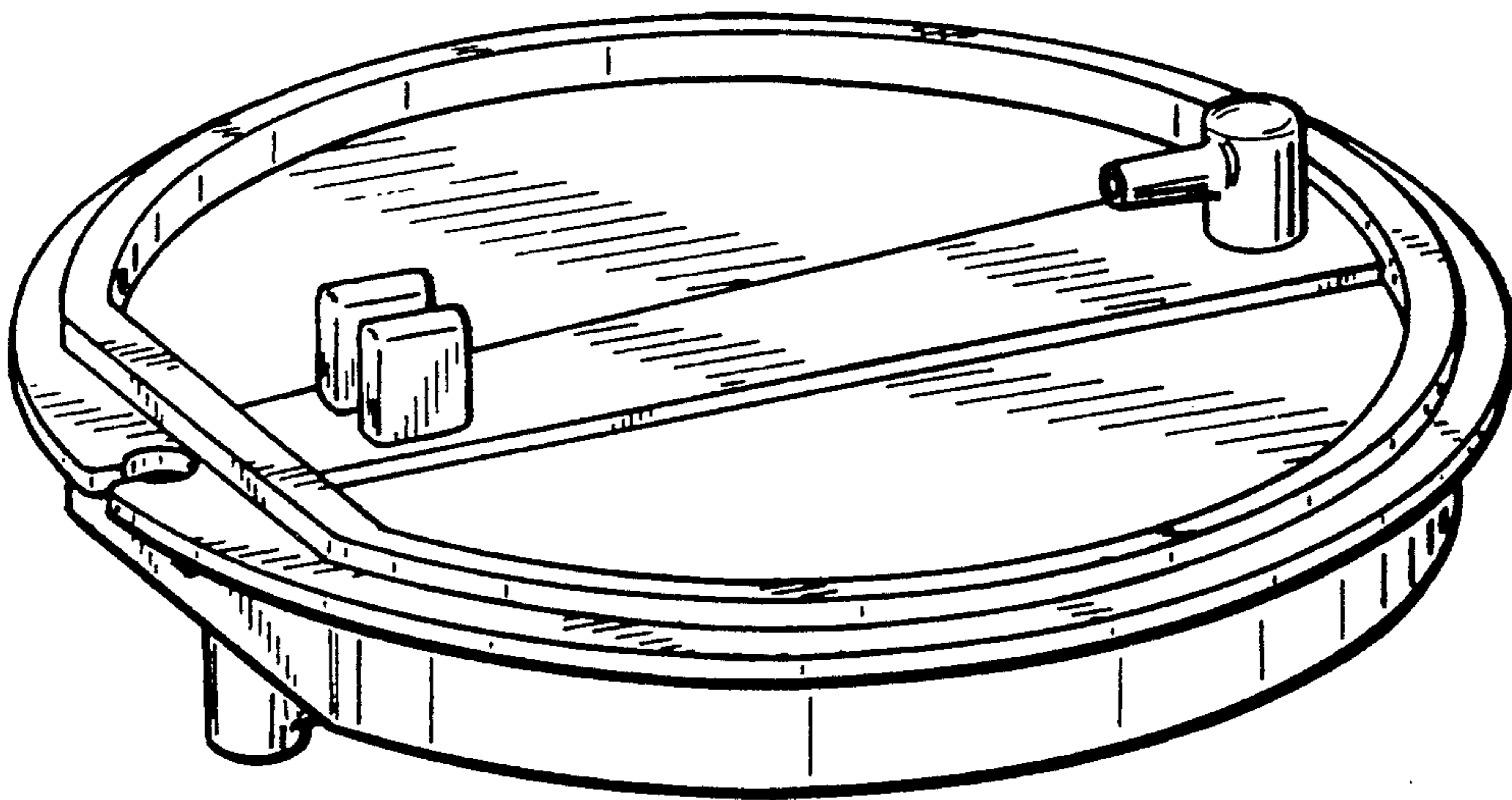
Primary Examiner—Stella Reid
Assistant Examiner—Ian Simmons
Attorney, Agent, or Firm—James A. Giblin

[57] **CLAIM**

The ornamental design for a blood filter housing, as shown.

DESCRIPTION

FIG. 1 is a top perspective view of a blood filter housing of the invention;
FIG. 2 is a top plan view of a blood filter housing of the invention;
FIG. 3 is a rear elevation view of a blood filter housing of the invention;
FIG. 4 is a bottom plan view of a blood filter housing of the invention;
FIG. 5 is a front elevation view of a blood filter housing of the invention;
FIG. 6 is a right side view of a blood filter housing of the invention; the left side is a mirror thereof; and,
FIG. 7 is a bottom perspective view of a blood filter housing of the invention.



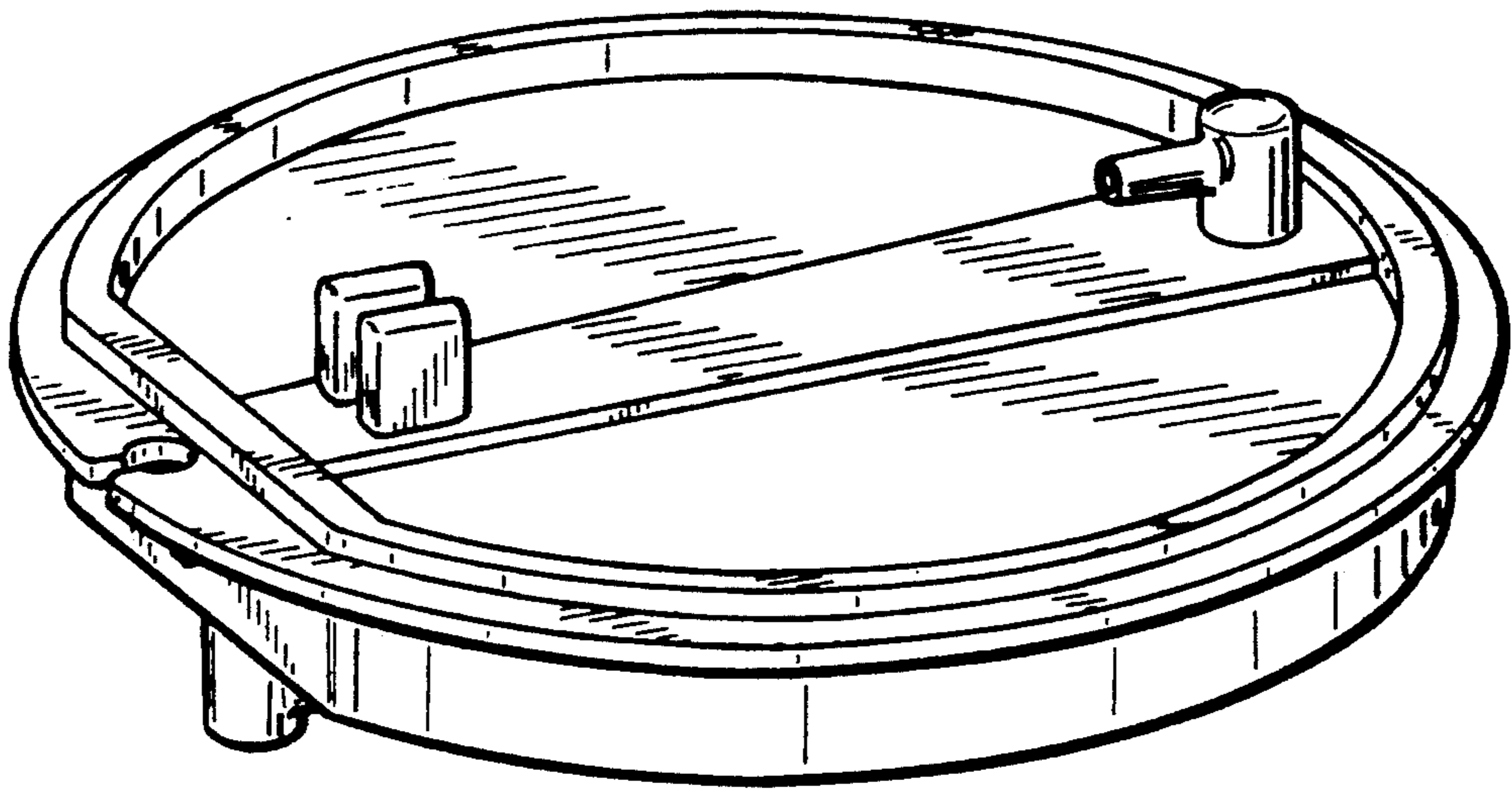


FIG. 1

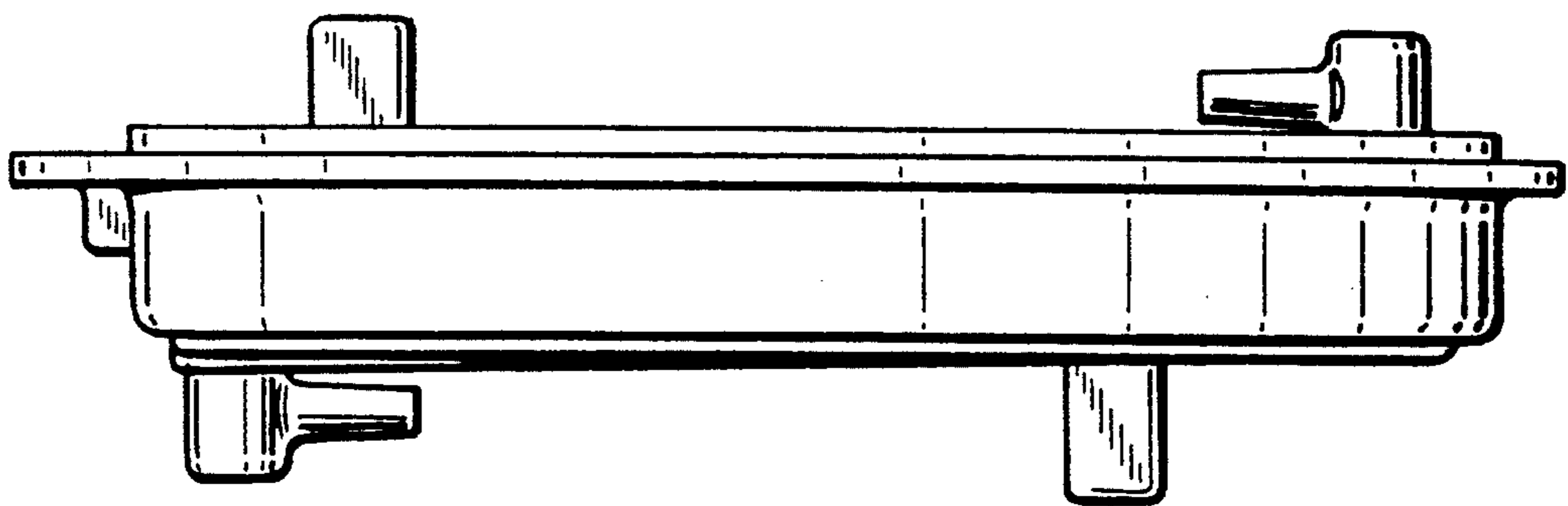


FIG. 6

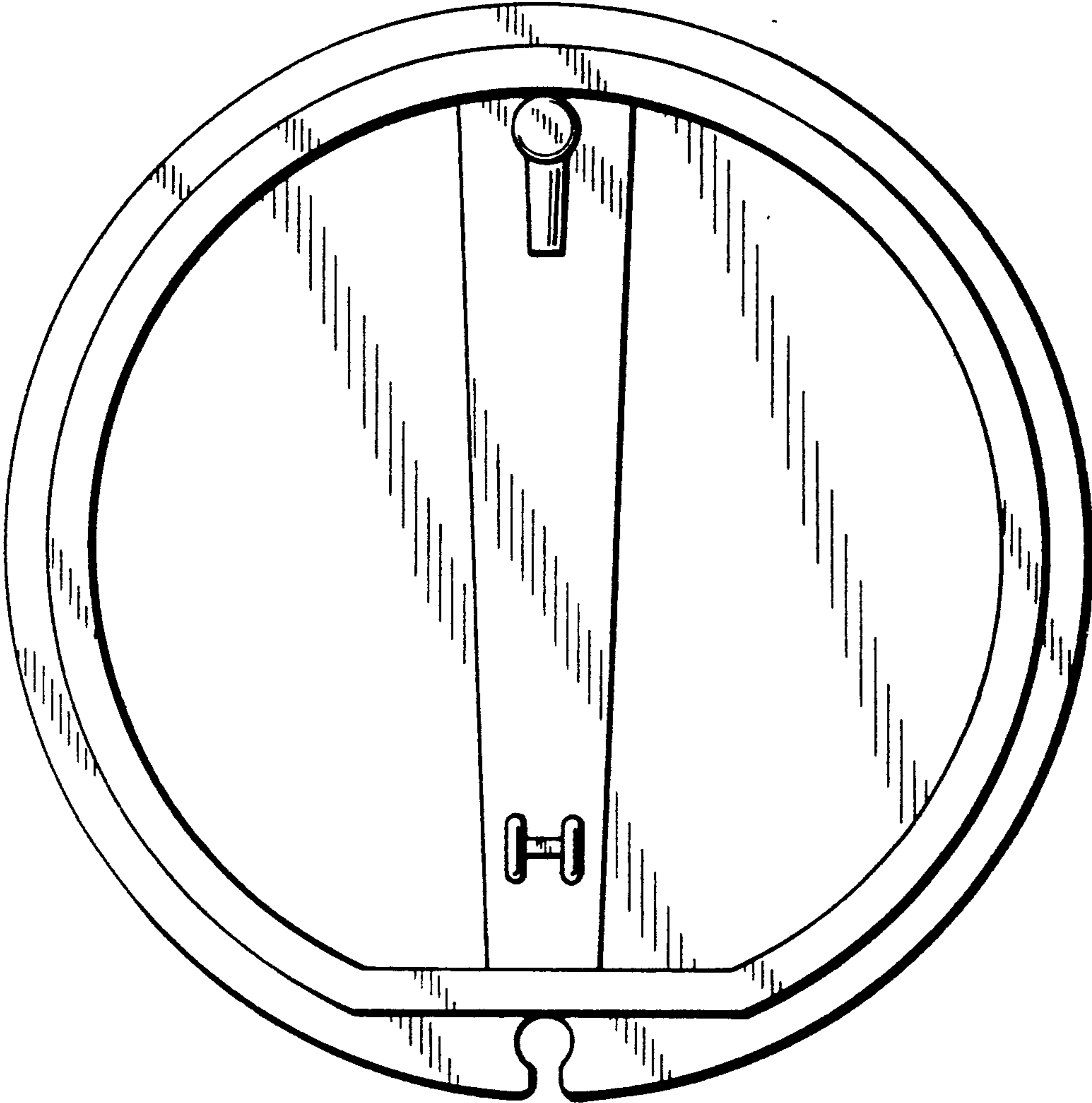


FIG. 2

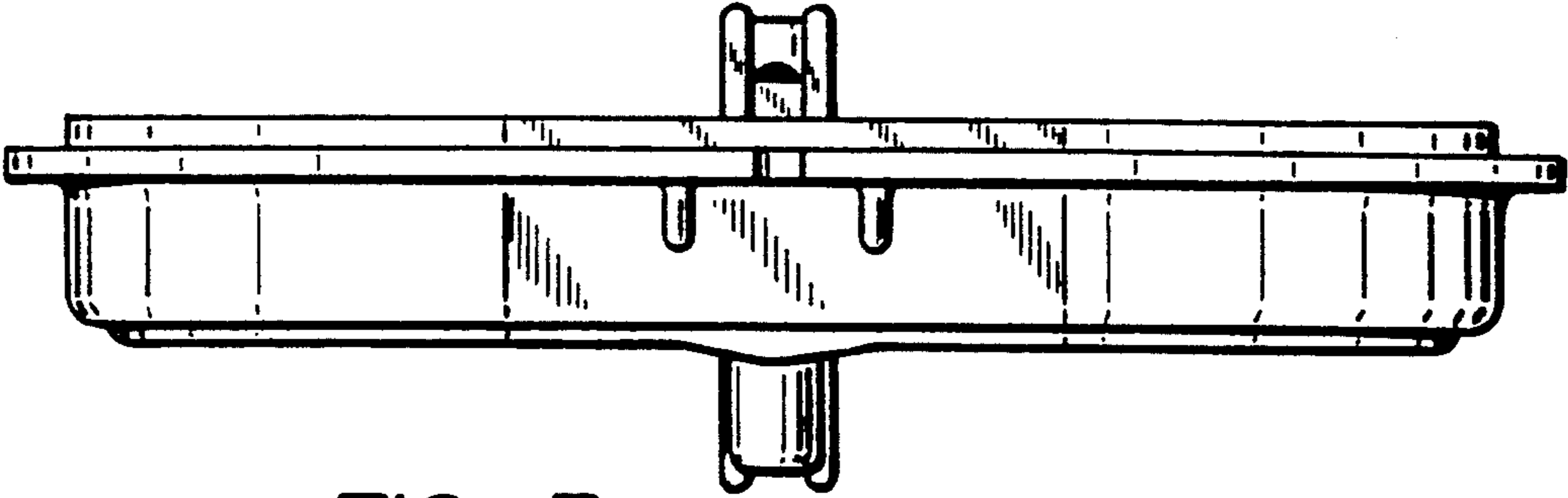


FIG. 3

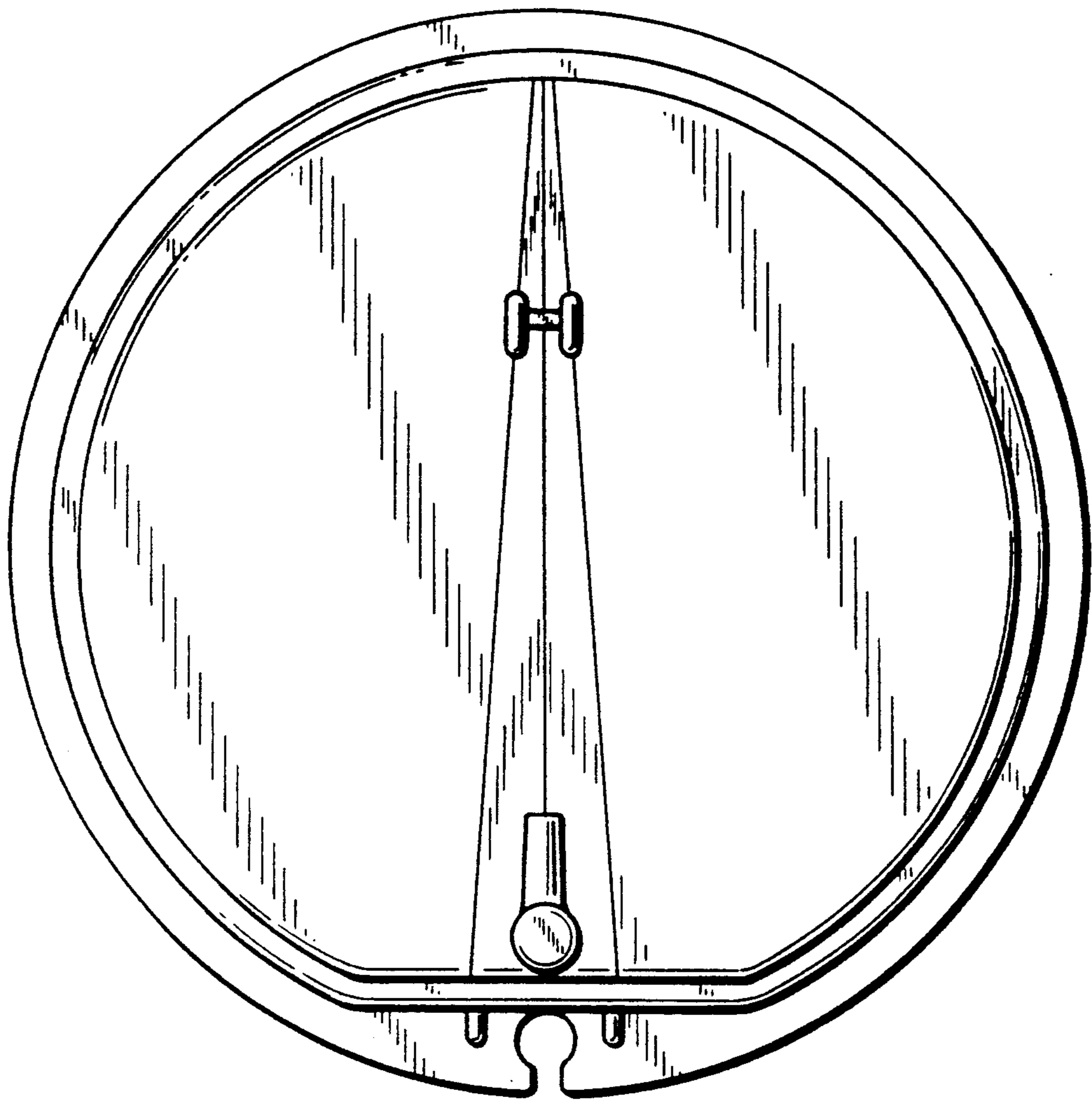


FIG. 4

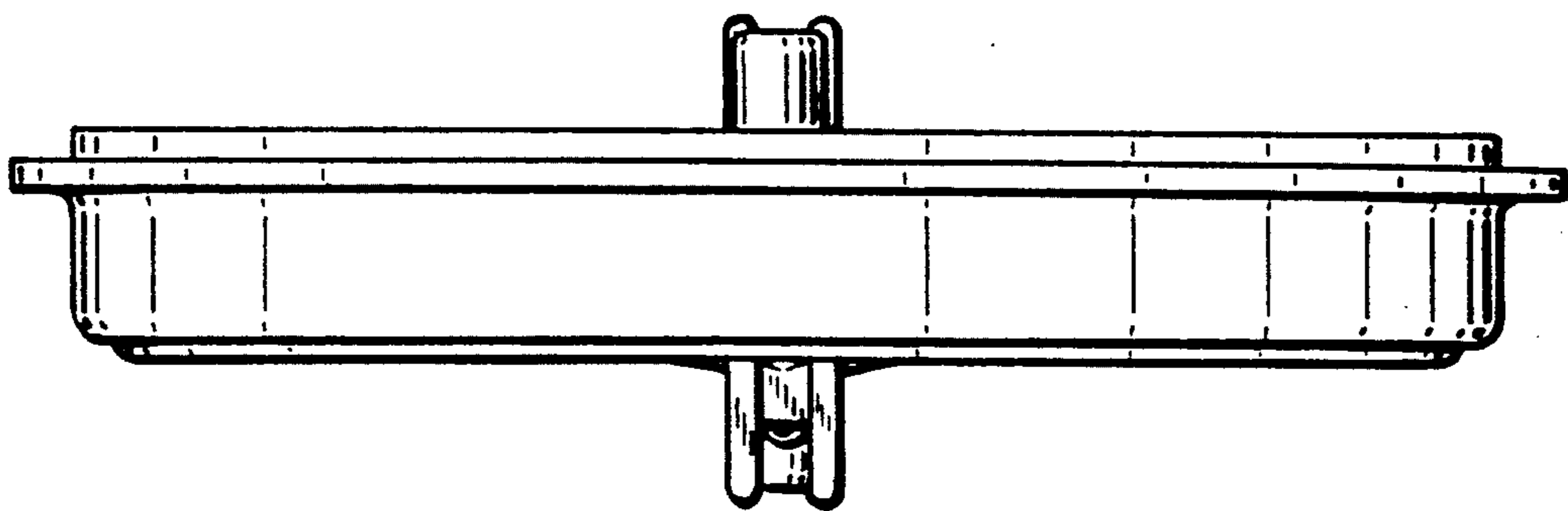


FIG. 5

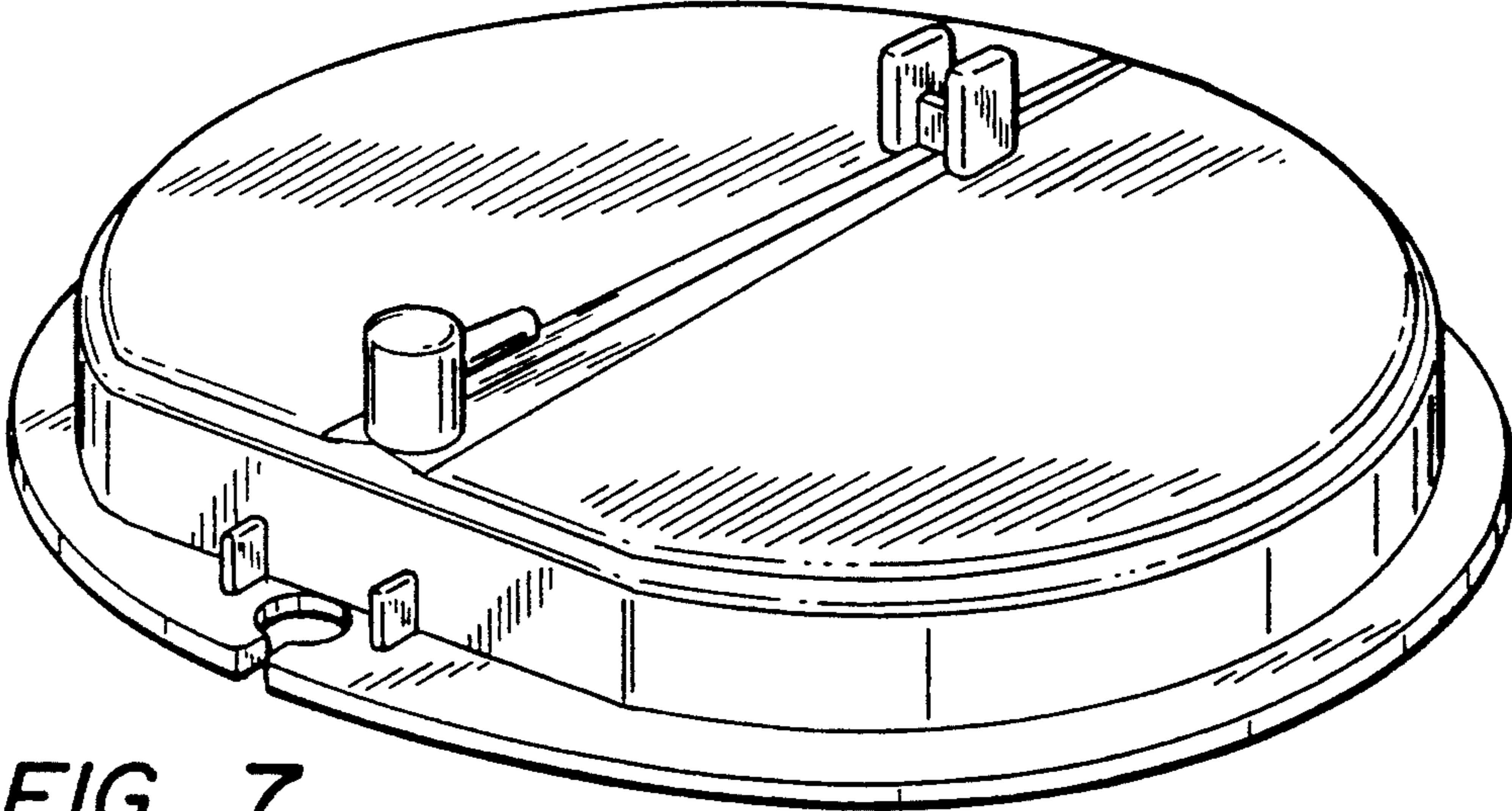


FIG. 7