



US00D340976S

United States Patent [19]

[11] Patent Number: **Des. 340,976**

Garcia

[45] Date of Patent: **** Nov. 2, 1993**

[54] **RESPIRATORY NEBULIZER**

[75] Inventor: **Henry E. Garcia**, Hemet, Calif.

[73] Assignee: **Hudson Respiratory Care, Inc.**, Temecula, Calif.

[**] Term: **14 Years**

[21] Appl. No.: **781,933**

[22] Filed: **Oct. 22, 1991**

[52] U.S. Cl. **D24/110; D24/129**

[58] Field of Search **D24/110, 129; 128/200.14, 200.18, 200.21, 202.27, 911, 912, DIG. 26**

3,990,442	11/1976	Patneau	128/200.14
4,619,640	10/1986	Putolsky et al.	128/912 X
5,008,048	4/1991	Ryder .	
5,099,833	3/1992	Michaels	128/200.16 X

Primary Examiner—A. Hugo Word
Assistant Examiner—Ian Simmons
Attorney, Agent, or Firm—Jerry R. Seiler

[57] **CLAIM**

The ornamental design for a respiratory nebulizer, as shown.

DESCRIPTION

FIG. 1 is a perspective view of the respiratory nebulizer showing my new design;

FIG. 2 is a side elevational view thereof;

FIG. 3 is a side elevational view thereof; opposite that shown in FIG. 2;

FIG. 4 is a top plan view thereof;

FIG. 5 is a bottom plan view thereof;

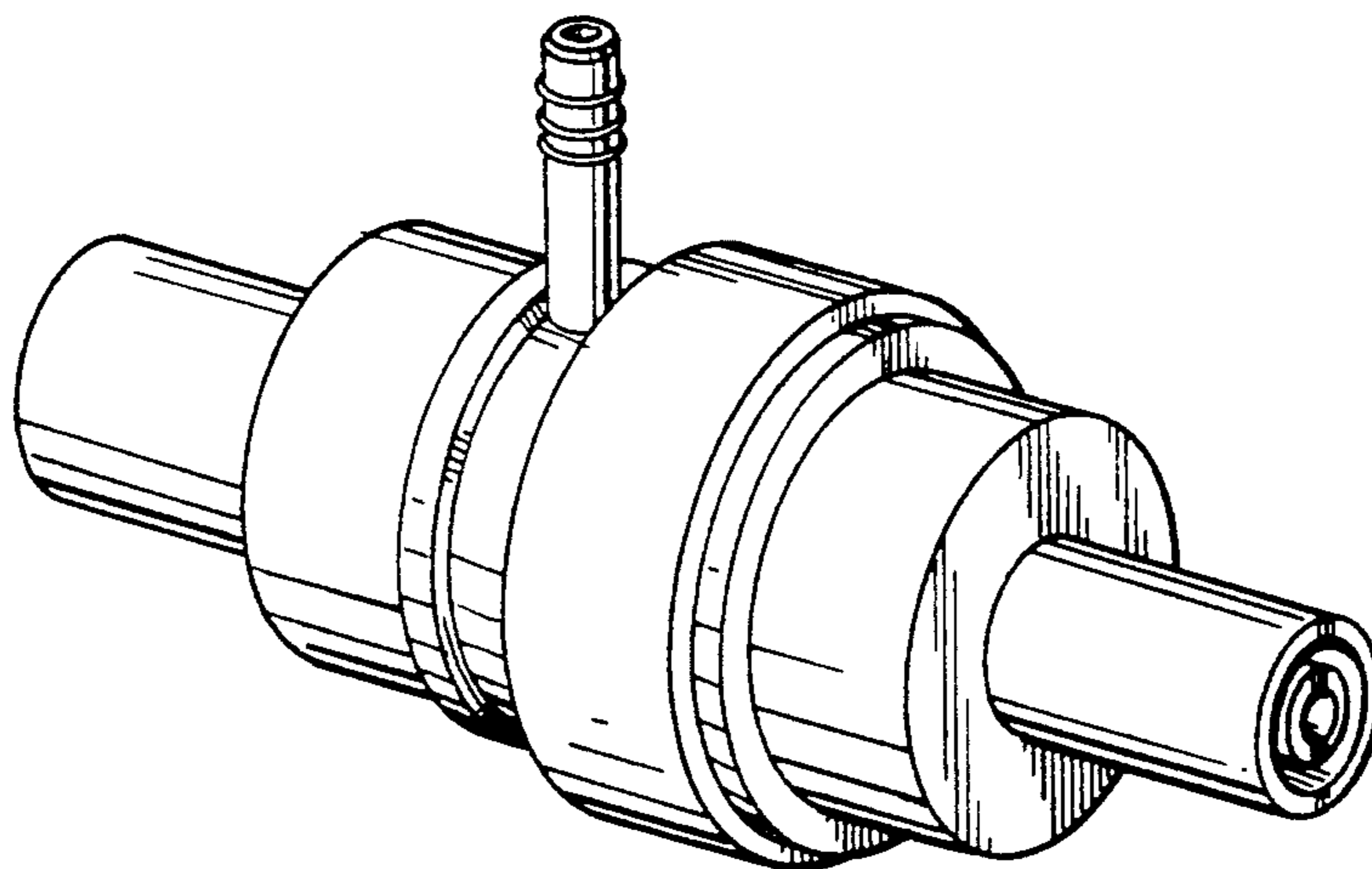
FIG. 6 is an end elevational view thereof; and,

FIG. 7 is an end elevational view thereof, opposite that shown in FIG. 6.

[56] **References Cited**

U.S. PATENT DOCUMENTS

D. 253,721	12/1979	Gibeck	D24/110 X
D. 331,281	11/1992	Levine	D24/110
3,083,707	4/1963	Seeler	128/200.14
3,584,621	6/1971	Bird	128/200.18
3,769,973	11/1973	Esbenshade, Jr. et al.	128/200.14



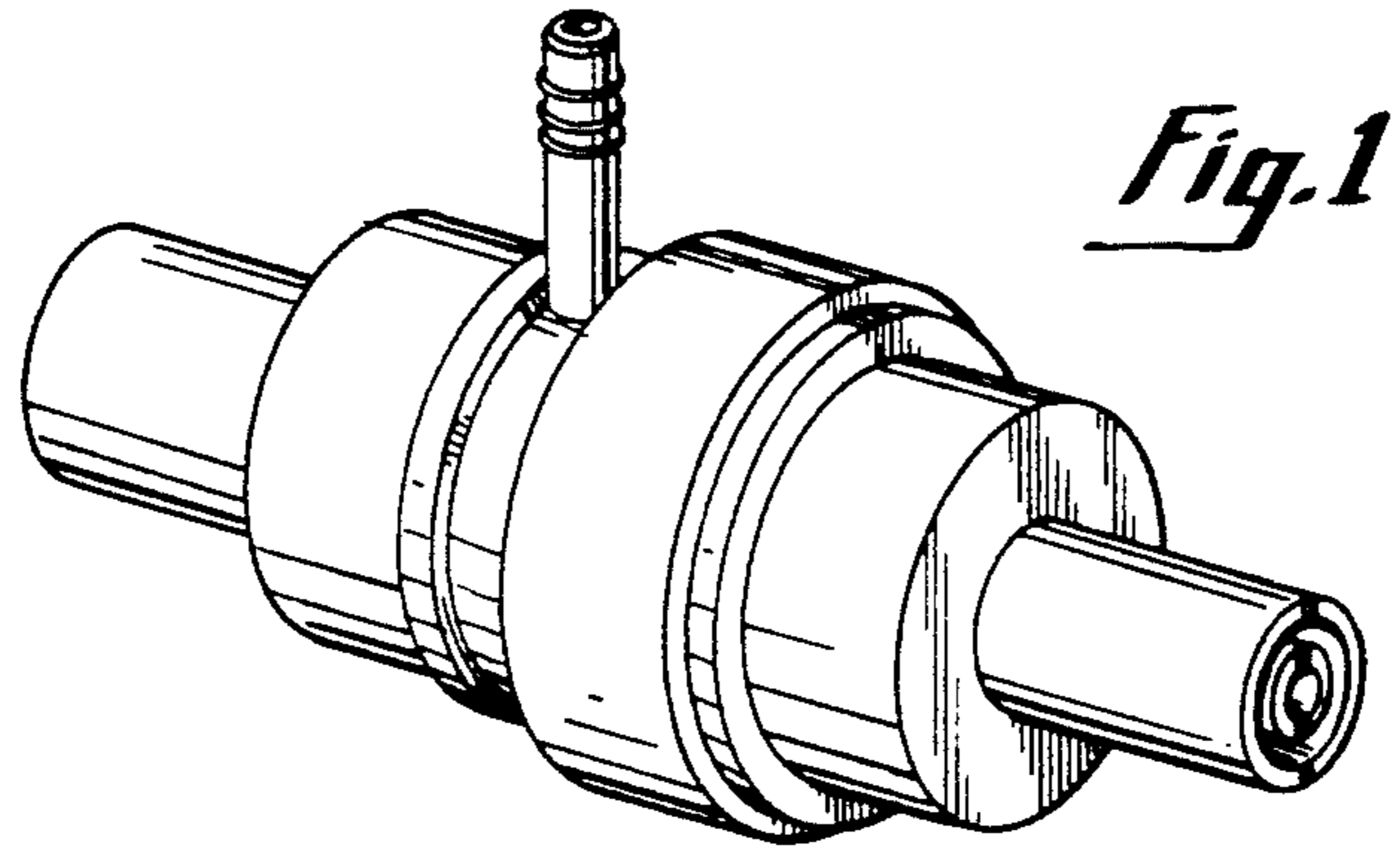


Fig. 1

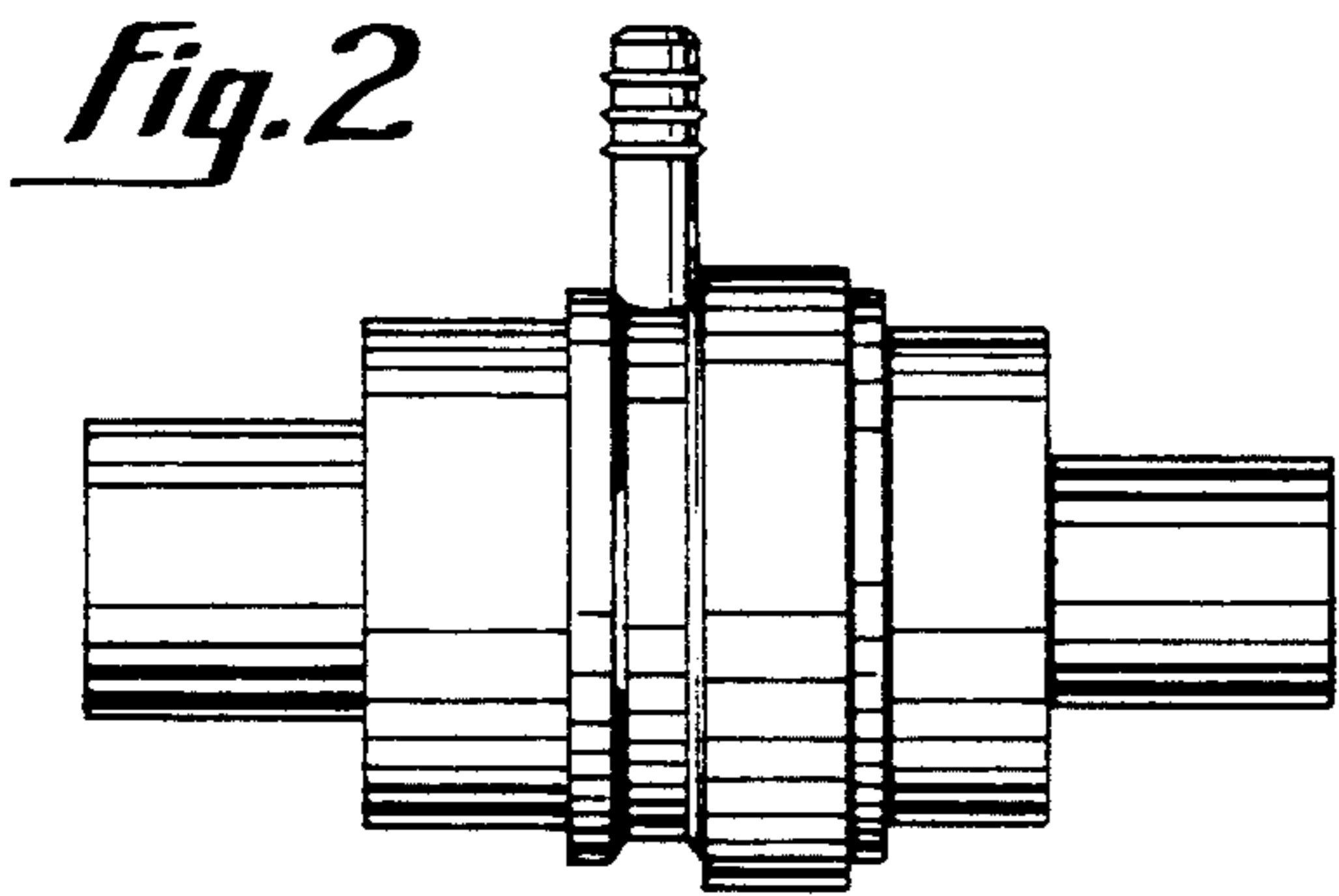


Fig. 2

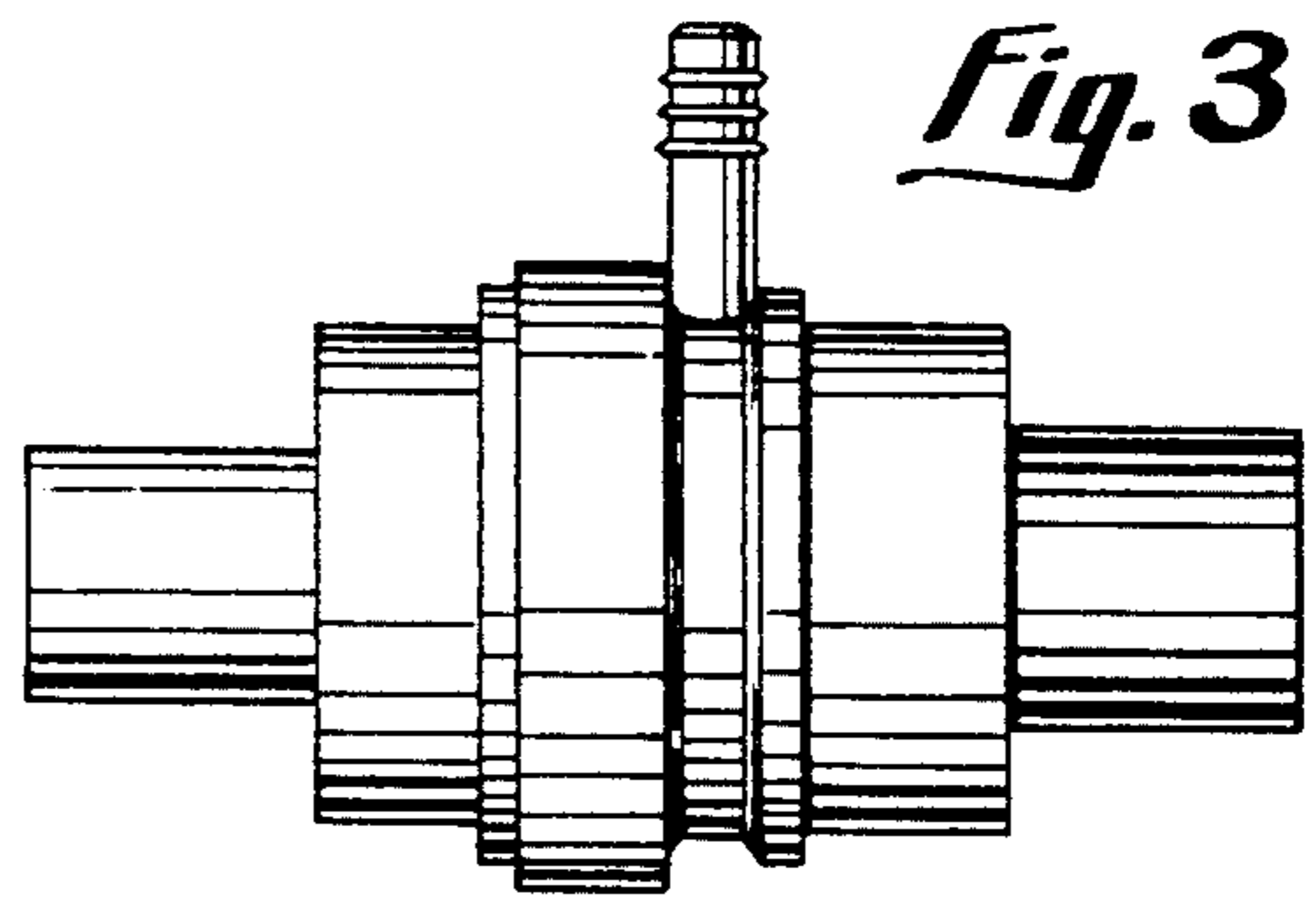


Fig. 3

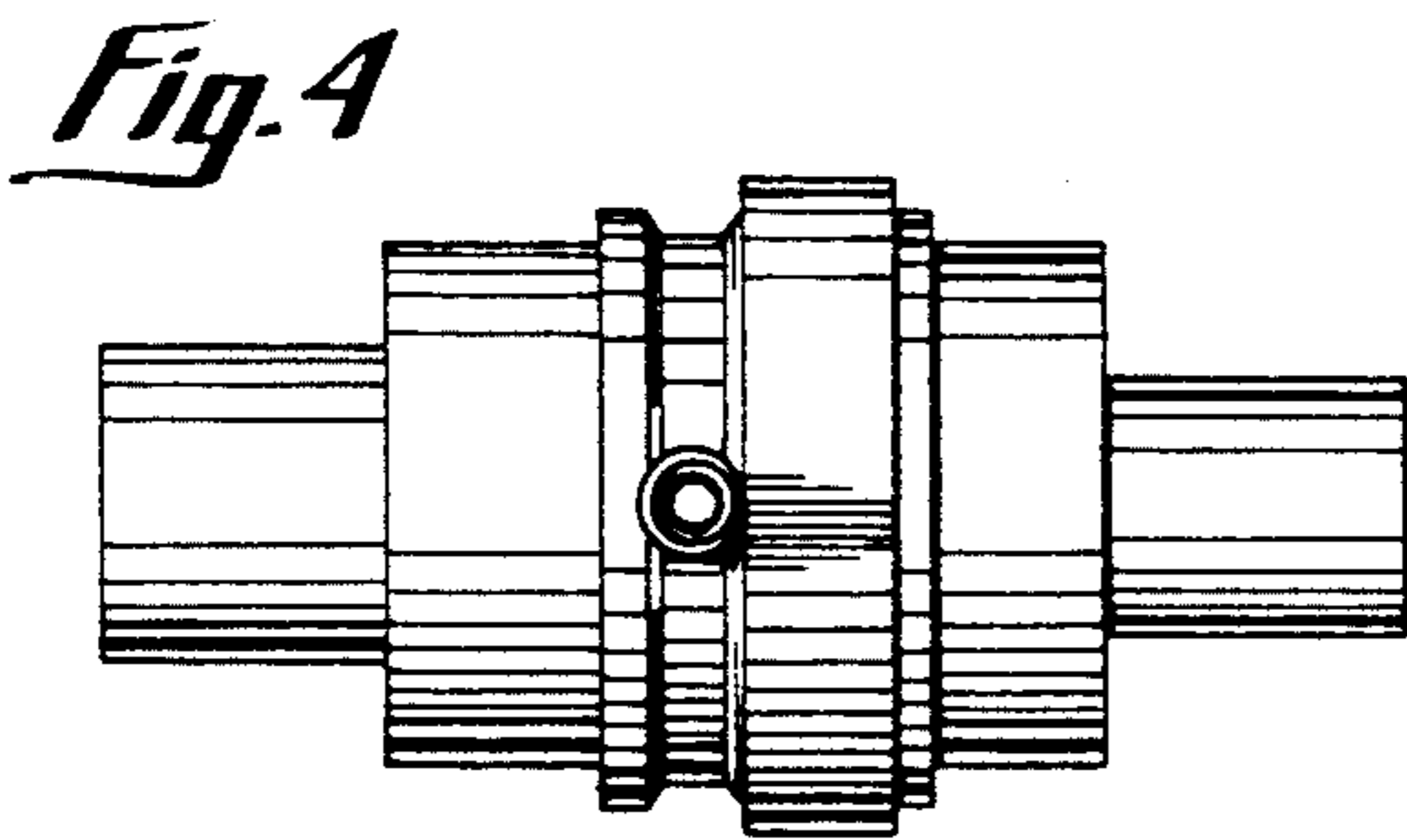


Fig. 4

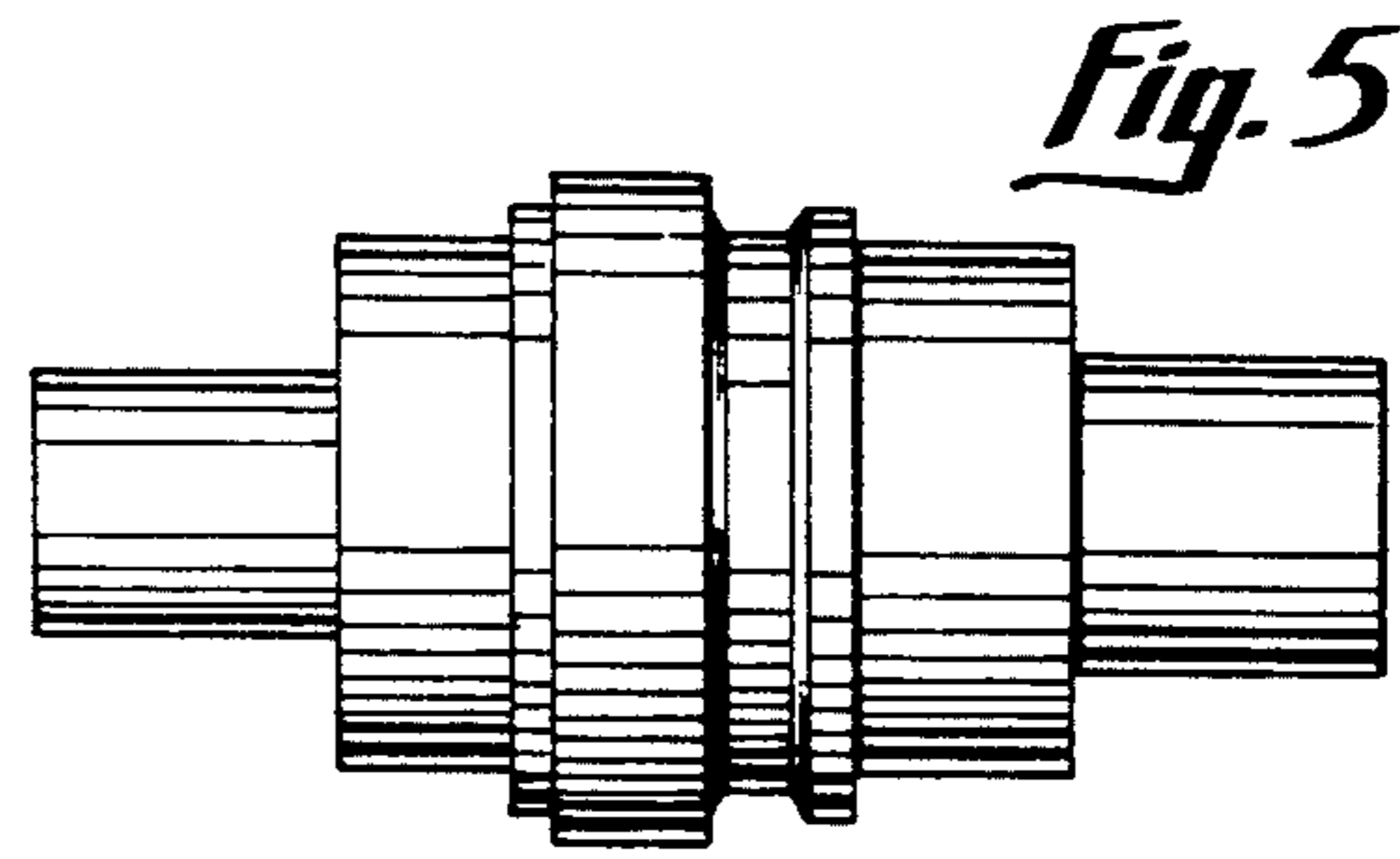


Fig. 5

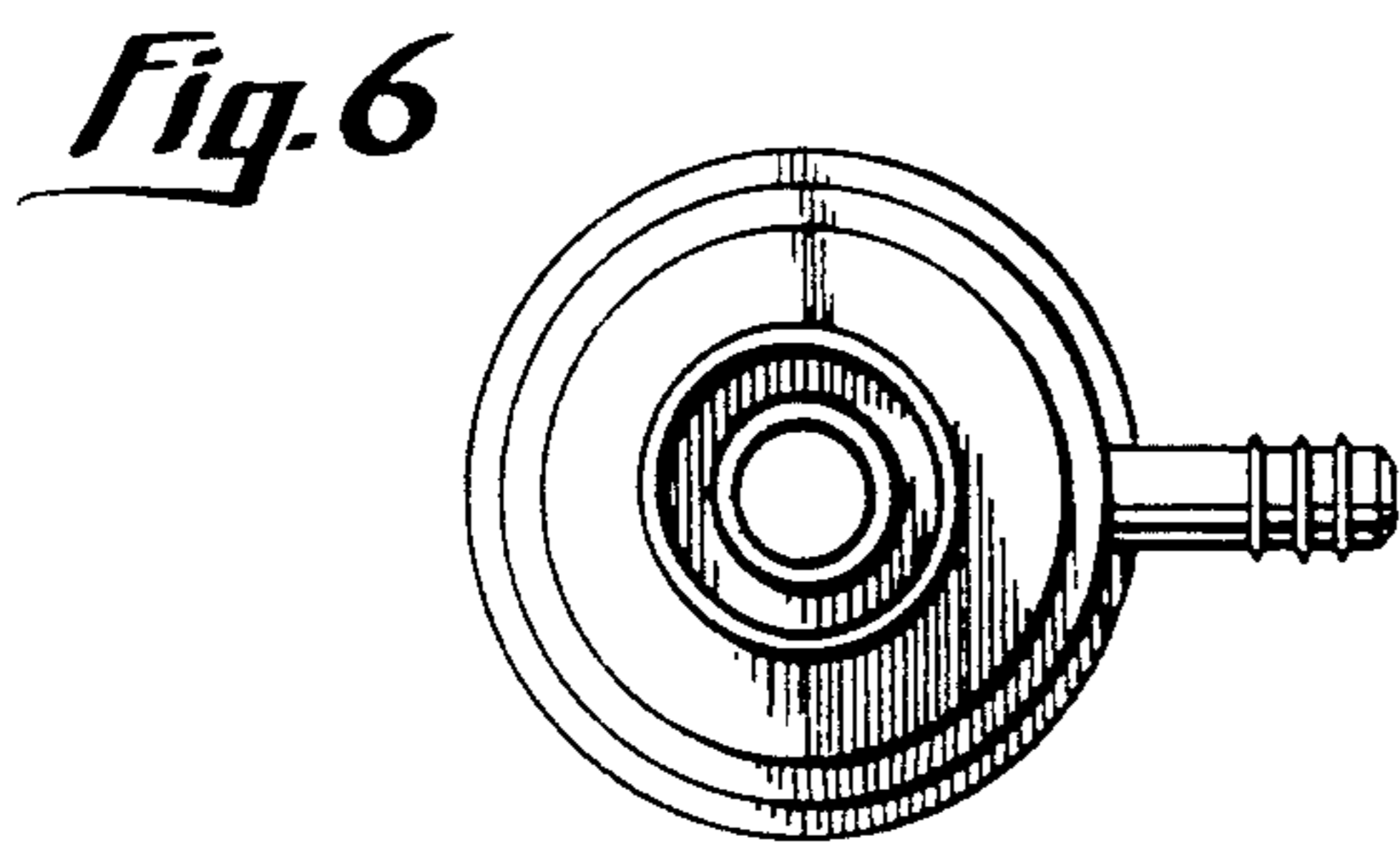


Fig. 6

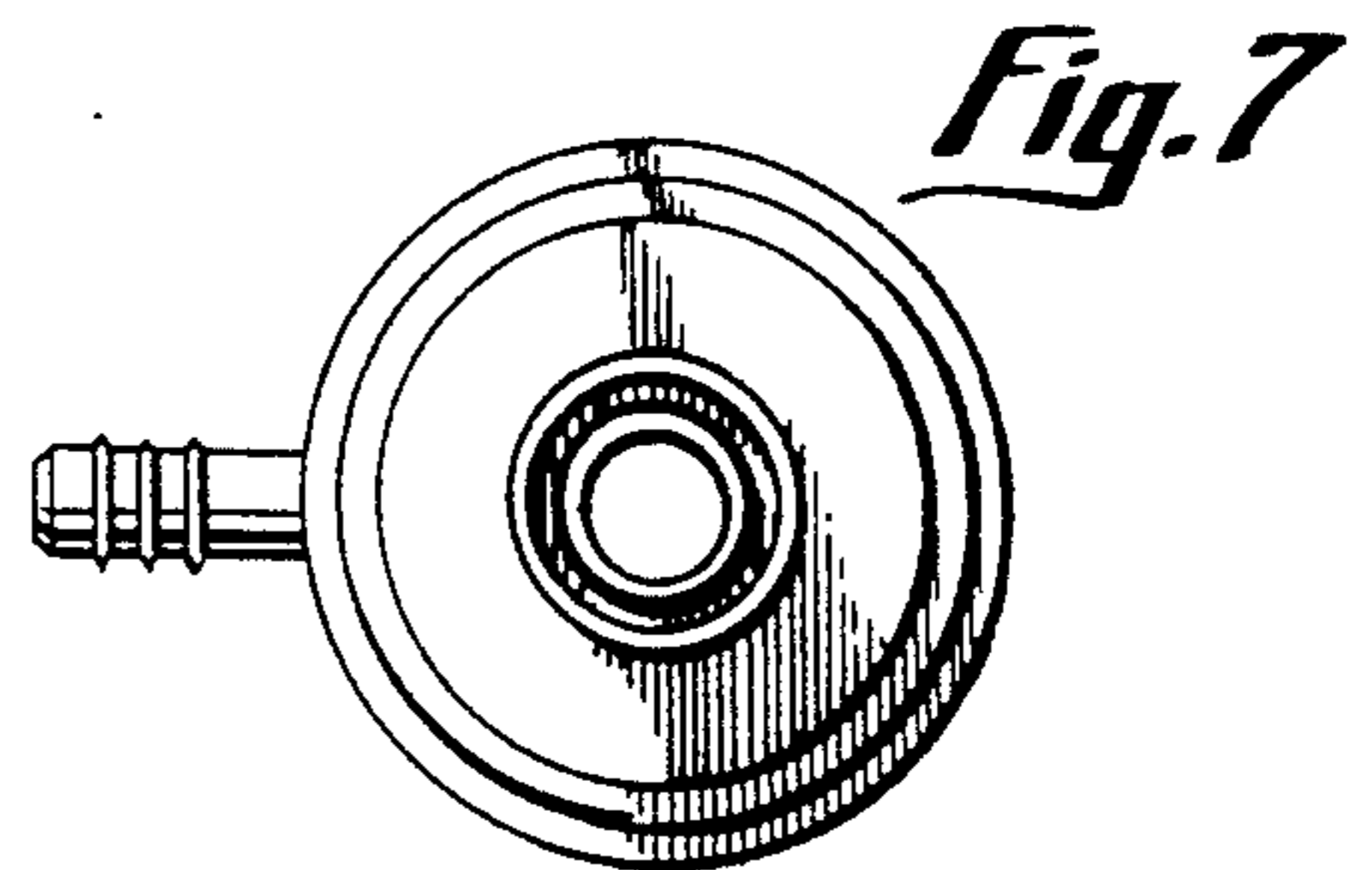


Fig. 7