



US00D340973S

United States Patent [19]

[11] Patent Number: **Des. 340,973**

Wilkening

[45] Date of Patent: **** Nov. 2, 1993**

[54] FIREPLACE GRATE

FOREIGN PATENT DOCUMENTS

[76] Inventor: **Donald W. Wilkening, Rte. 2, Box 93A, Akeley, Minn. 56433**

2380498 10/1978 France 126/540

OTHER PUBLICATIONS

[*] Notice: The portion of the term of this patent subsequent to May 30, 2003 has been disclaimed.

Thermo-Rite Adv. Flyer, Log Basket, top right side of page.

[**] Term: **14 Years**

Primary Examiner—Wallace R. Burke
Assistant Examiner—Lisa Lichtenstein
Attorney, Agent, or Firm—Warren A. Sturm

[21] Appl. No.: **296,034**

[57] CLAIM

[22] Filed: **Jan. 12, 1989**

The ornamental design for a fireplace grate, as shown and described.

[52] U.S. Cl. **D23/398**

DESCRIPTION

[58] Field of Search D23/398, 399; 126/540, 126/541, 152 B

FIG. 1 is a perspective view of a fireplace grate showing my new design;

FIG. 2 is a top plan view thereof;

FIG. 3 is a front elevational view thereof, the rear being a mirror image of that shown;

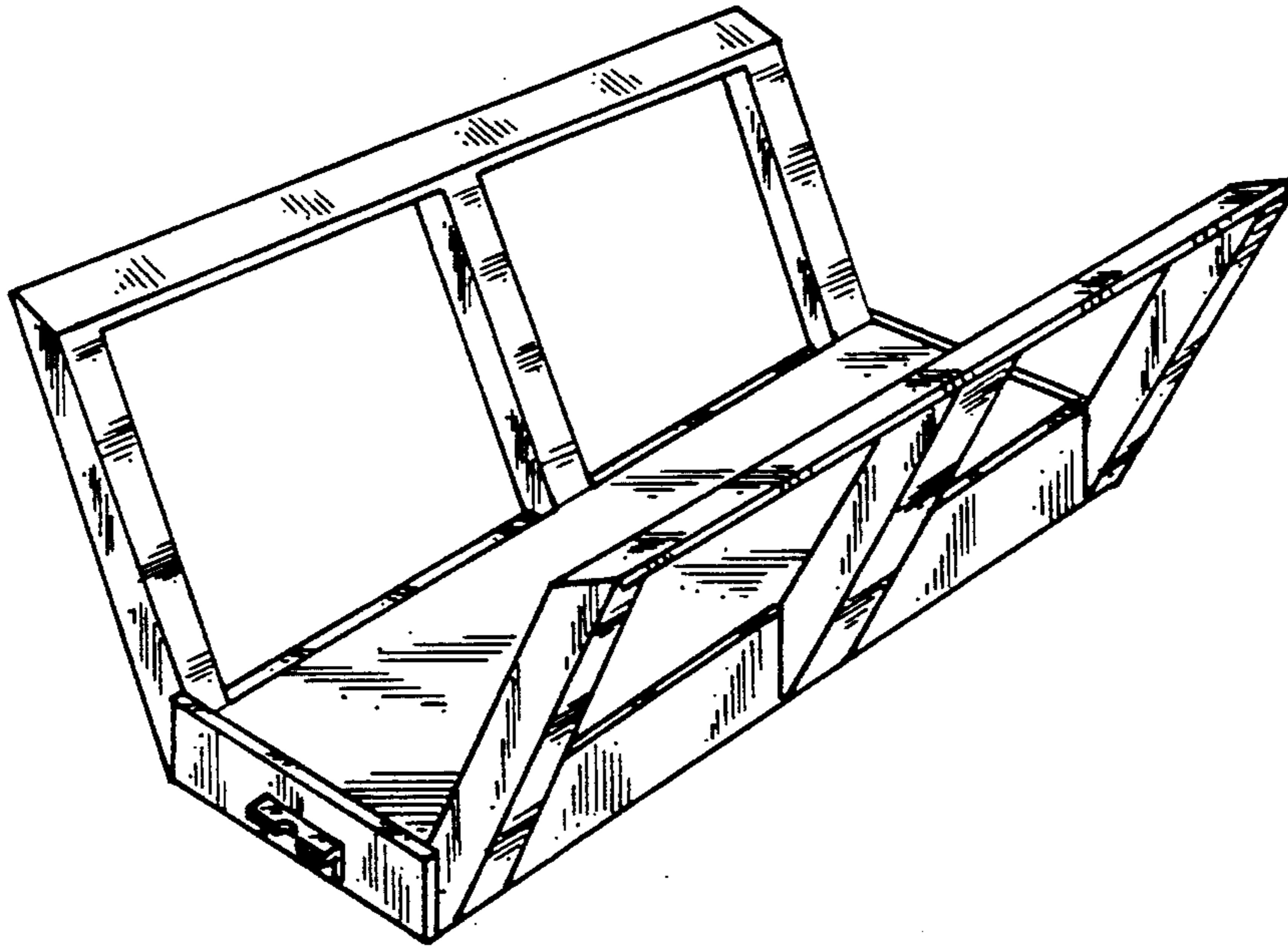
FIG. 4 is a right side elevational view thereof, the left side being a mirror image of that shown; and,

FIG. 5 is a bottom plan view thereof.

[56] References Cited

U.S. PATENT DOCUMENTS

- D. 252,316 7/1979 Cagle D23/399
- D. 301,369 5/1989 Wilkening D23/398



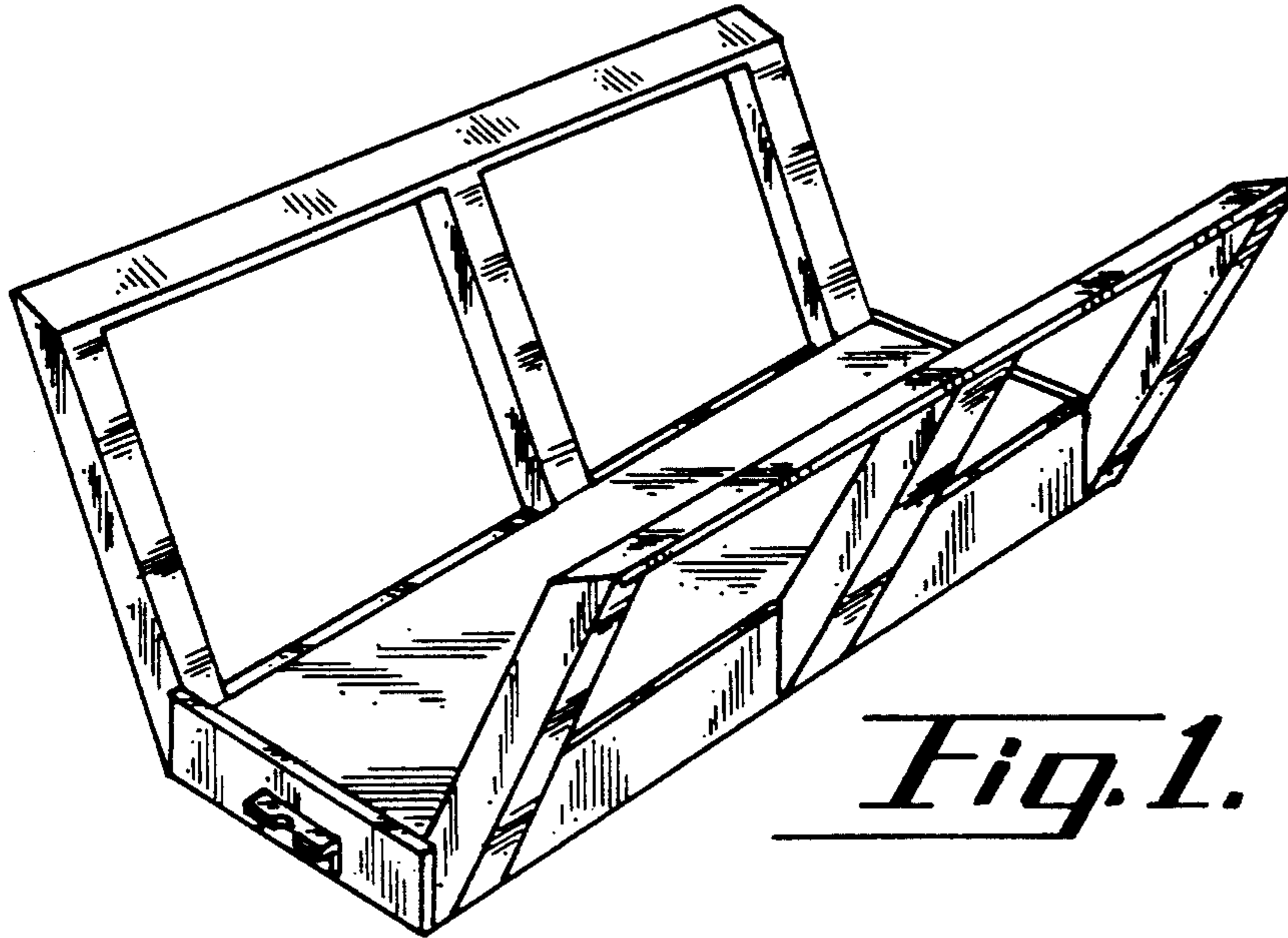


Fig. 1.

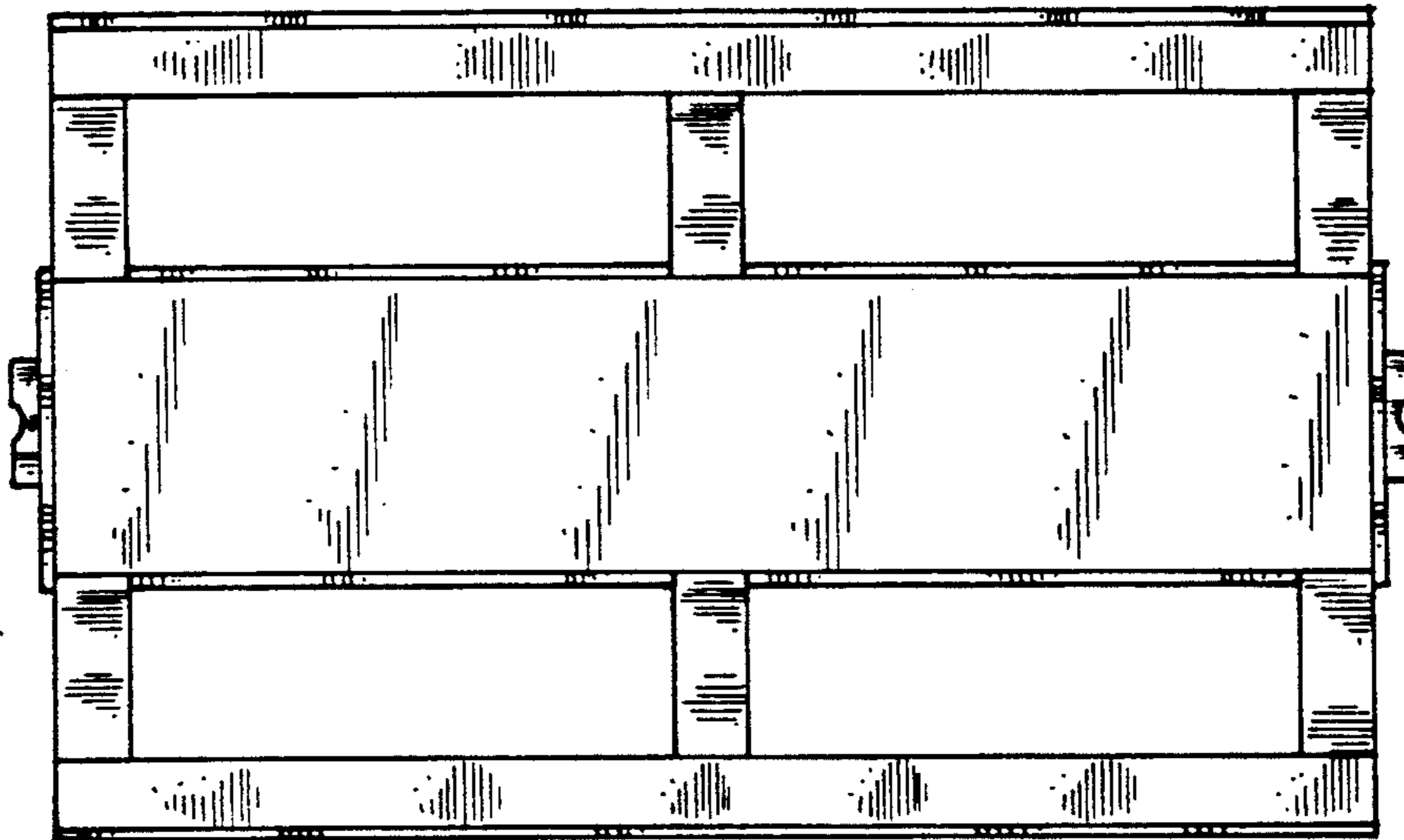


Fig. 2.

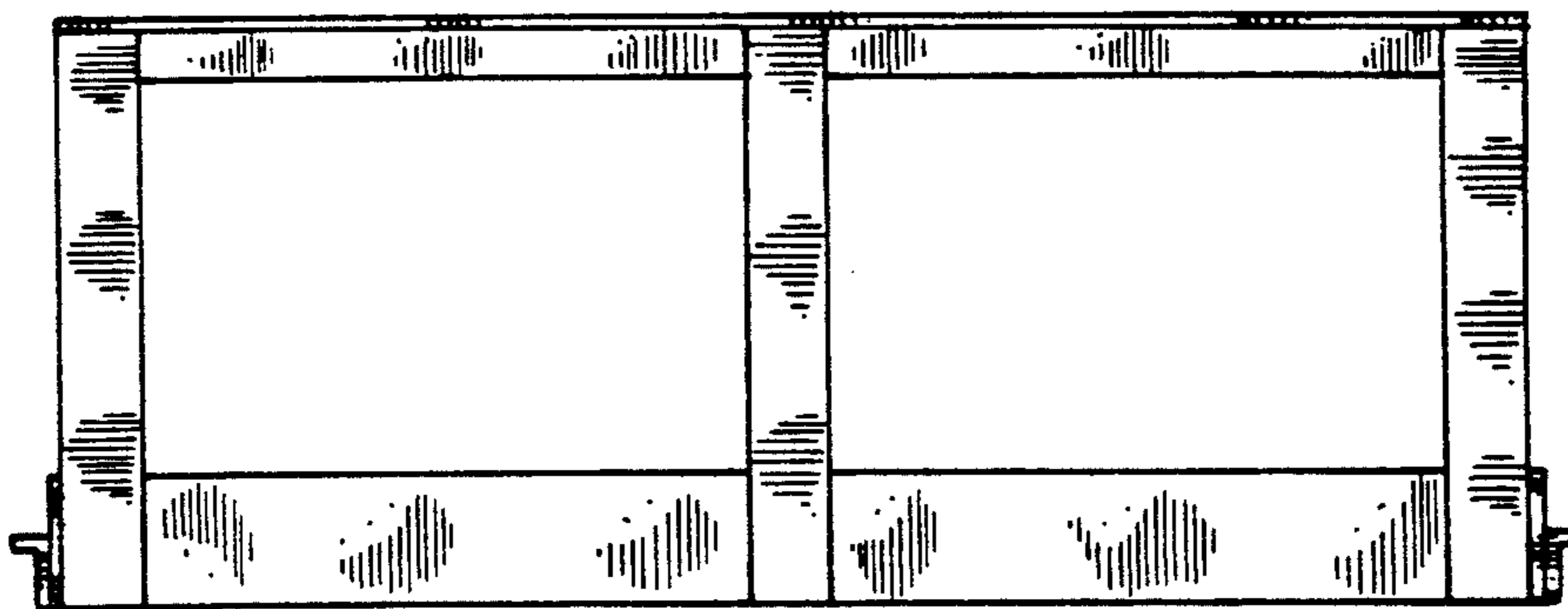


Fig. 3.

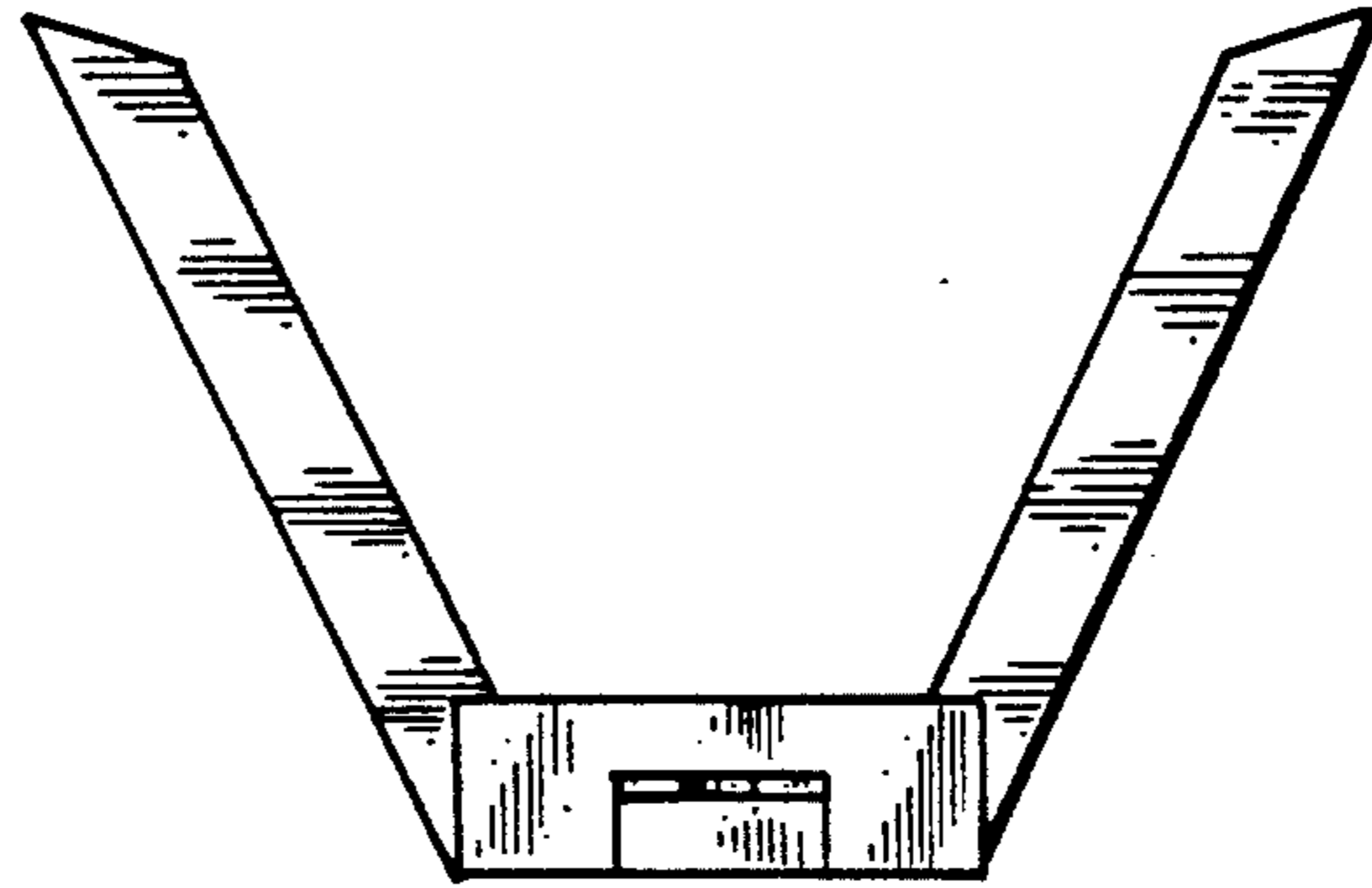


Fig. 4.

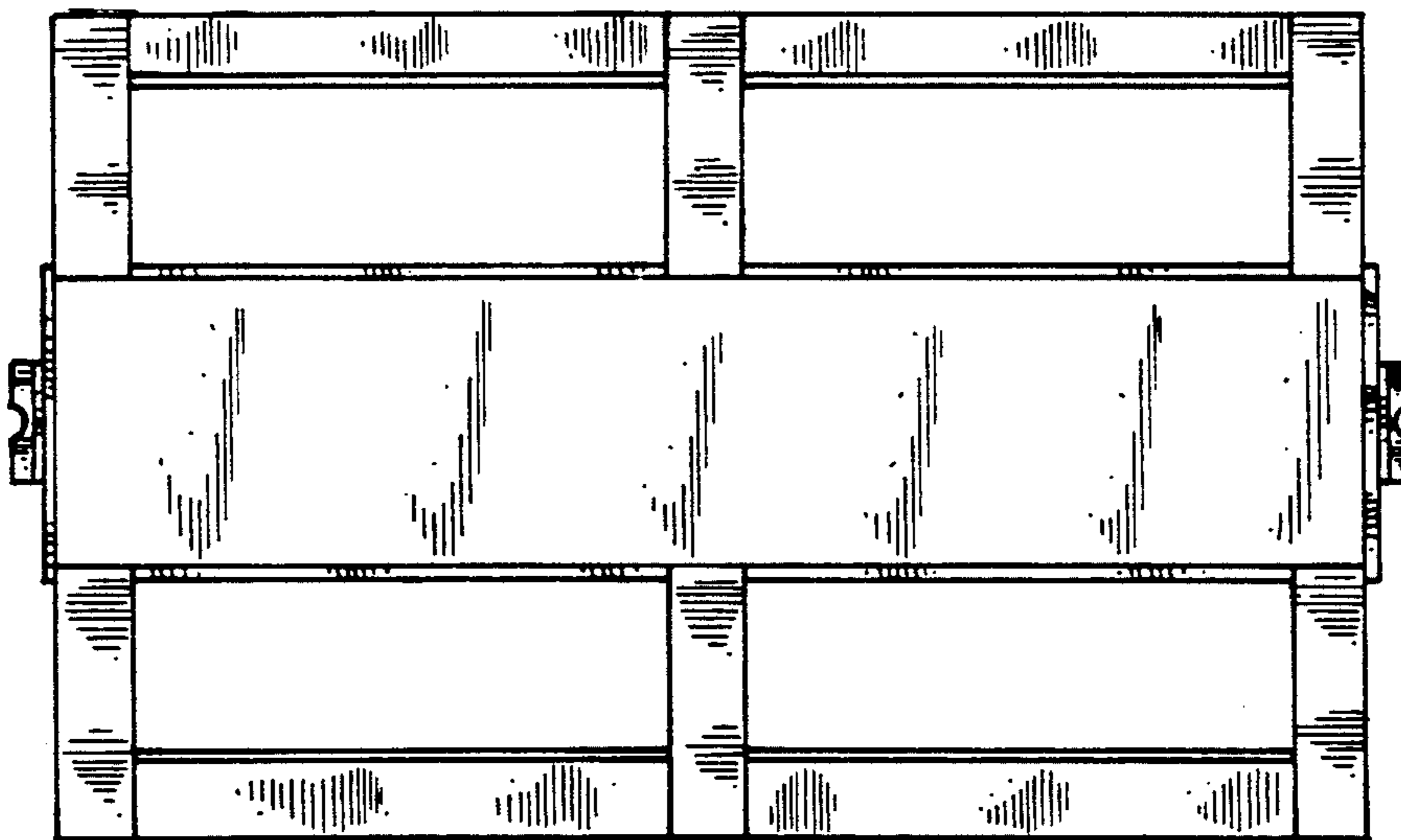


Fig. 5.