



US00D340970S

# United States Patent [19]

[11] Patent Number: **Des. 340,970**

**Kohler, Jr. et al.**

[45] Date of Patent: **\*\* Nov. 2, 1993**

[54] **LAVATORY**

[75] Inventors: **Herbert V. Kohler, Jr., Kohler, Wis.;  
Pierre H. Paulin; Francois Kergoet,**  
both of Paris, France; **Michel  
Chalard, Villemomble, France**

[73] Assignee: **Jacob Delafon, Paris, France**

[\*\*] Term: **14 Years**

[21] Appl. No.: **8,041**

[22] Filed: **May 6, 1993**

834,266	10/1906	Coxon	.....	4/619
D. 855,616	6/1931	Ebinger	.	
D. 982,227	1/1936	Callahan	.....	D23/294
2,210,933	8/1940	Graf	.....	D23/294 X

### OTHER PUBLICATIONS

Pp. 13-9 of an undated Kohler ad showing inter alia its K-3035 Alouette lavatory.  
Undated Ceramica ad for its lavatories.  
Undated Jacob Delafon ad showing inter alia its Cristal lavatory.  
Pp. 13-5 from an undated Kohler ad showing inter alia its Fleur lavatory.

*Primary Examiner*—James R. Largen  
*Attorney, Agent, or Firm*—Quarles & Brady

### Related U.S. Application Data

[62] Division of Ser. No. 792,049, Nov. 8, 1991, Pat. No. Des. 338,950.

[52] U.S. Cl. .... **D23/294**

[58] Field of Search ..... D23/270-275,  
D23/284-294; 4/619, 630, 638, 643, 646

### [57] CLAIM

The ornamental design for a lavatory, as shown and described.

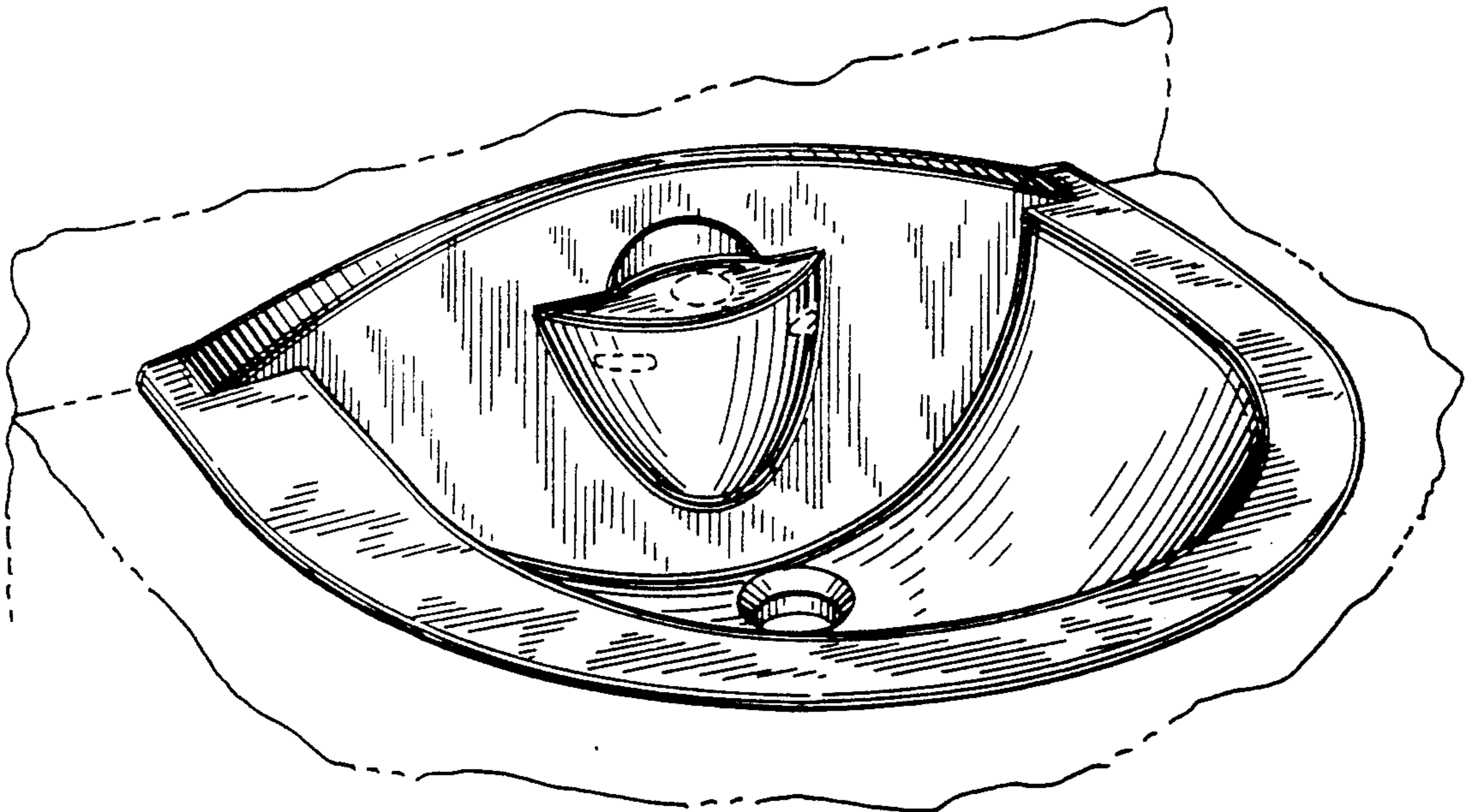
### [56] References Cited

#### U.S. PATENT DOCUMENTS

D. 260,678	9/1981	Hiller	.....	D23/294 X
D. 261,929	11/1981	Primault	.....	D23/292
D. 293,930	1/1988	Reid	.	
D. 295,071	4/1988	Kohler, Jr.	.....	D23/294
D. 296,923	7/1988	Brossardt et al.	.....	D23/294
D. 314,612	2/1991	Sauter et al.	.	
D. 319,690	9/1991	Reid	.....	D23/294
D. 325,626	4/1992	Ragonot	.....	D23/292
D. 328,338	7/1992	Ragonot	.....	D23/284
510,021	12/1893	Hodge	.....	4/643

### DESCRIPTION

FIG. 1 is a perspective view taken from the top, front and left side of a lavatory showing our new design; FIG. 2 is a top plan view thereof; FIG. 3 is a cross-sectional view taken on line 3-3 of FIG. 2; and, FIG. 4 is a cross-sectional view taken on line 4-4 of FIG. 2.  
The fragmentary broken line representations of a bathroom wall in FIG. 1, a bathroom cabinet in FIG. 1 and of openings in FIGS. 1, 2 and 3 are for the purpose of illustration only and form no part of the claimed design.



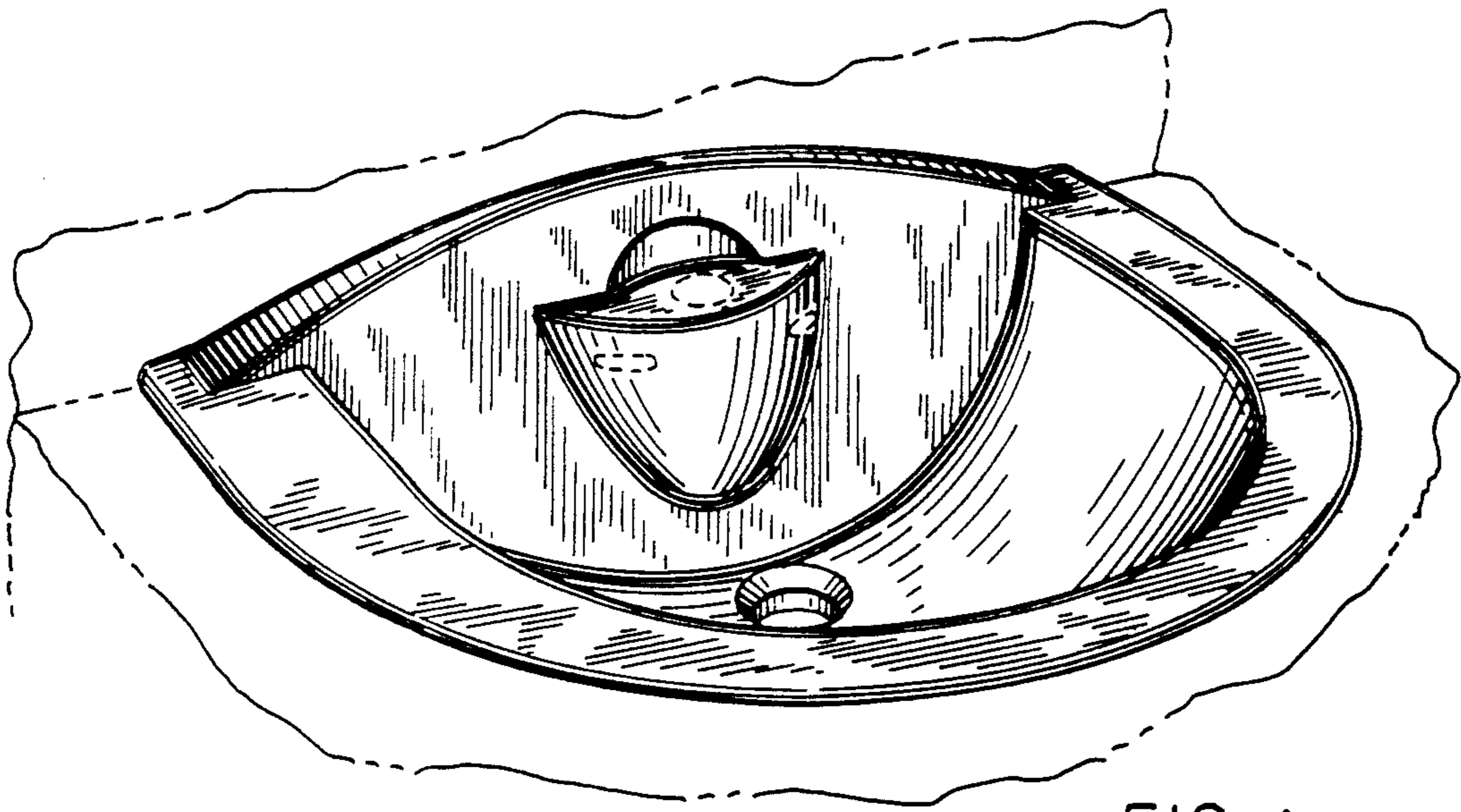
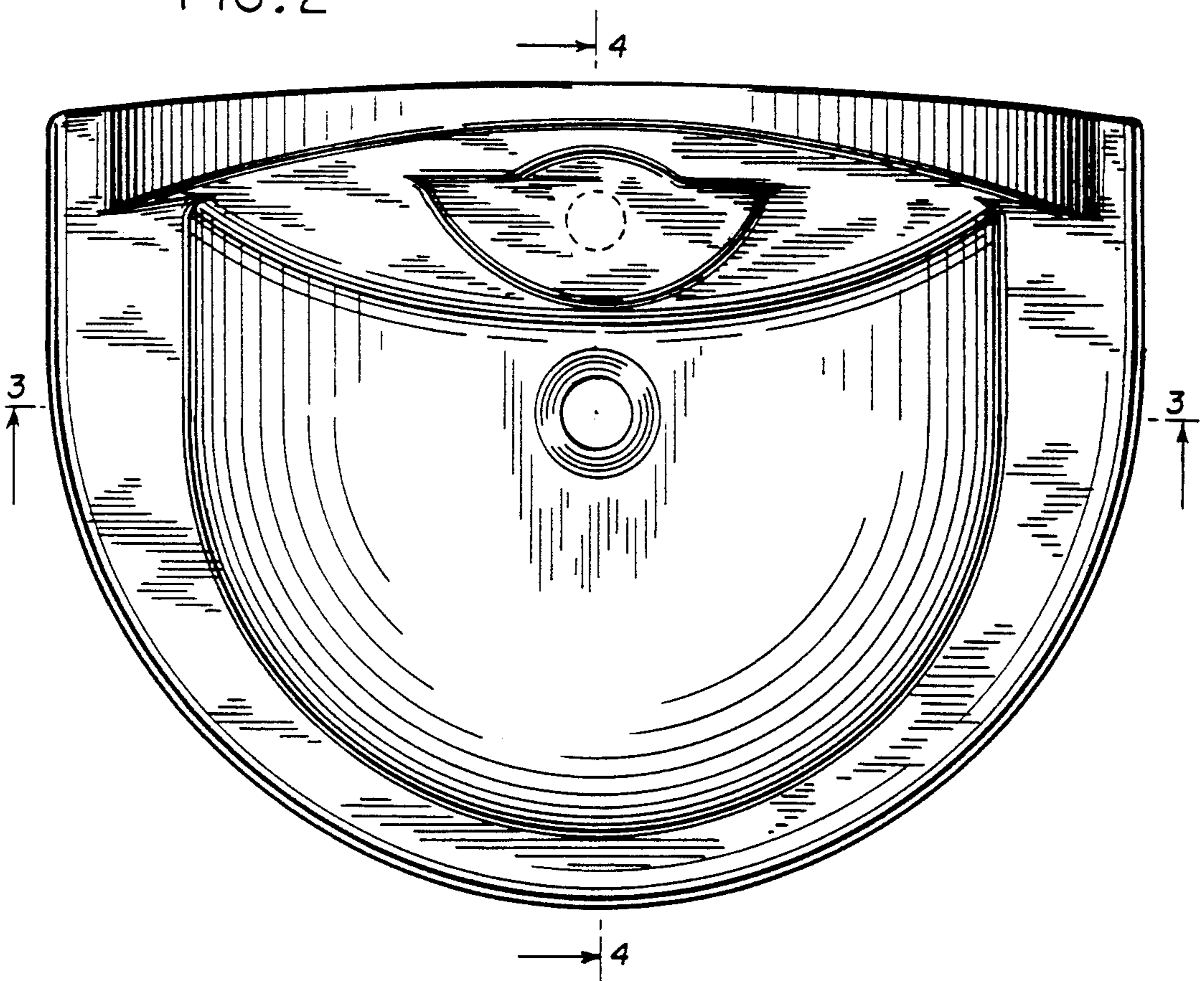


FIG. 1

FIG. 2



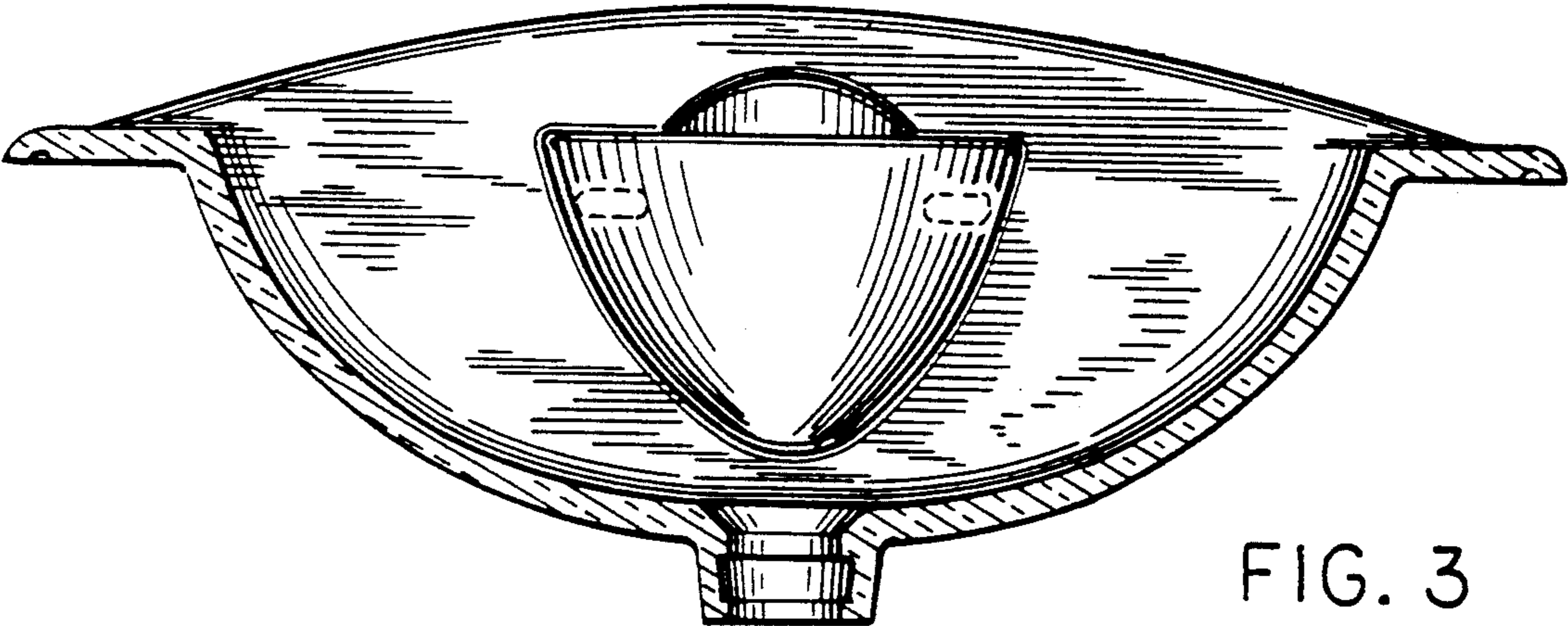


FIG. 3

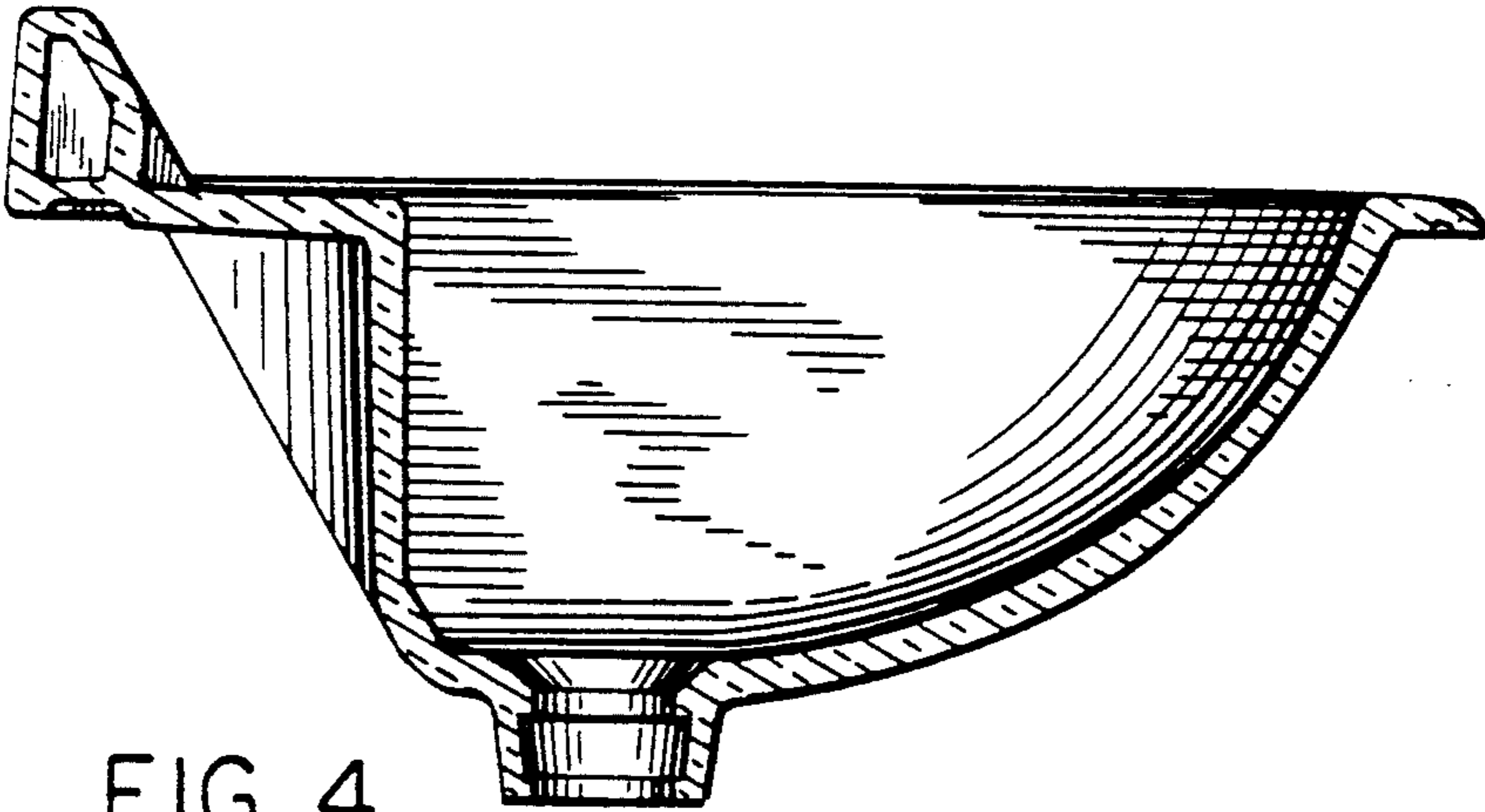


FIG. 4