



US00D340969S

United States Patent [19]

[11] Patent Number: **Des. 340,969**

Kohler, Jr. et al.

[45] Date of Patent: **** Nov. 2, 1993**

[54] LAVATORY

D. 855,616 6/1931 Ebinger .

[75] Inventors: **Herbert V. Kohler, Jr., Kohler, Wis.;
Pierre H. Paulin; Francois Kergoet,**
both of Paris, France; **Michel
Chalard, Villemomble, France**

2,210,933 8/1940 Graf D23/294 X

[73] Assignee: **Jacob Delafon, Paris, France**

OTHER PUBLICATIONS

[**] Term: **14 Years**

Page 13-9 of an undated Kohler ad showing *inter alia* its K-3035 Alouette lavatory, admitted prior art.

[21] Appl. No.: **8,106**

Undated Ceramica ad for its lavatories, admitted prior art.

[22] Filed: **May 6, 1993**

Undated Jacob Delafon ad showing *inter alia* its Cristal lavatory, admitted prior art.

Page 13-5 from an undated Kohler ad showing *inter alia* its Fleur lavatory, admitted prior art.

Related U.S. Application Data

Primary Examiner—James R. Largen

Attorney, Agent, or Firm—Quarles & Brady

[62] Division of Ser. No. 792,049, Nov. 8, 1991, Pat. No. D. 338,950.

[57] CLAIM

[52] U.S. Cl. **D23/294**

The ornamental design for a lavatory, as shown and described.

[58] Field of Search D23/270-275,
D23/284-294; 4/619, 630, 638, 643, 646

DESCRIPTION

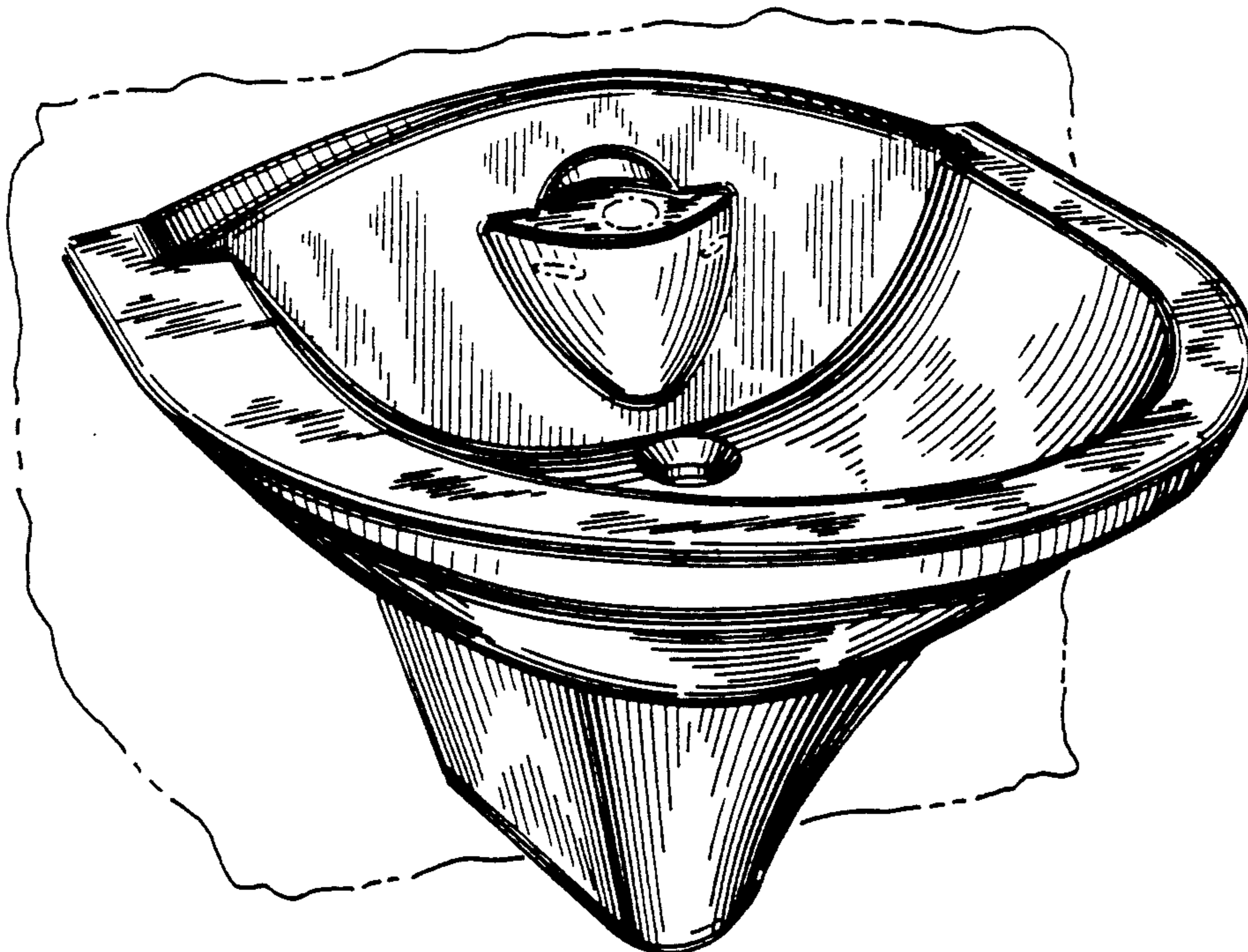
[56] **References Cited**

U.S. PATENT DOCUMENTS

D. 98,227	1/1936	Callahan	D23/294
D. 260,678	9/1981	Hiller	D23/294 X
D. 261,929	11/1981	Primault	D23/292
D. 293,930	1/1988	Reid .	
D. 295,071	4/1988	Kohler, Jr.	D23/294
D. 296,923	7/1988	Brossardt et al.	D23/294
D. 314,612	2/1991	Sauter et al. .	
D. 319,690	9/1991	Reid	D23/294
D. 325,626	4/1992	Ragonot	D23/292
D. 328,338	7/1992	Ragonot	D23/284
510,021	12/1893	Hodge	4/643
834,266	10/1906	Coxon	4/619

FIG. 1 is a perspective view taken from the top, front and left side of a lavatory showing our new design; FIG. 2 is a front elevational view thereof; FIG. 3 is a left side elevational view thereof, the right side being a mirror image of the left side; FIG. 4 is a cross-sectional view taken on line 4-4 of FIG. 6; FIG. 5 is a cross-sectional view taken on line 5-5 of FIG. 6; and, FIG. 6 is a top plan view thereof.

The fragmentary broken line representations of a bathroom wall in FIG. 1 and of openings in FIGS. 1 and 6 are for the purpose of illustration only and form no part of the claimed design.



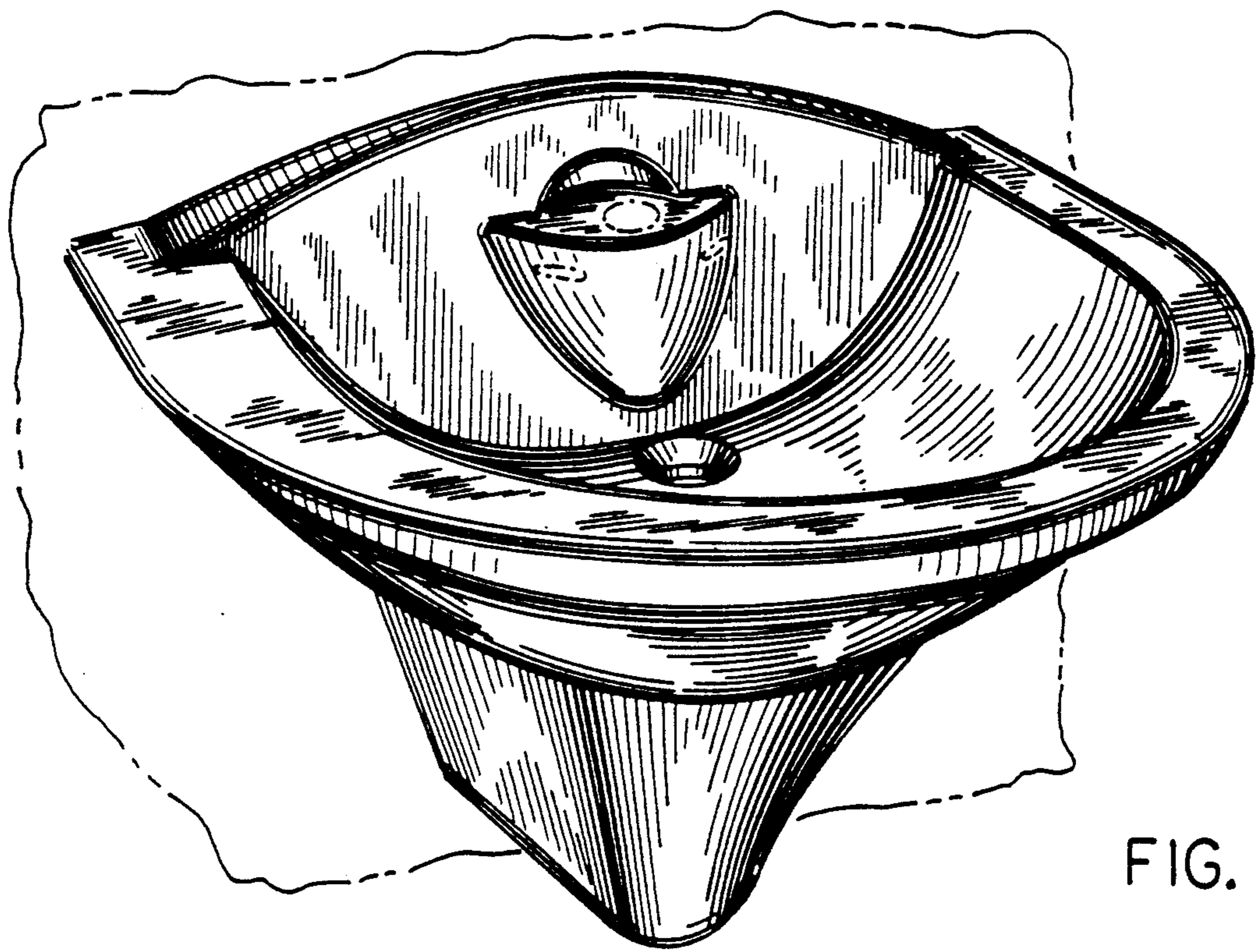


FIG. 1

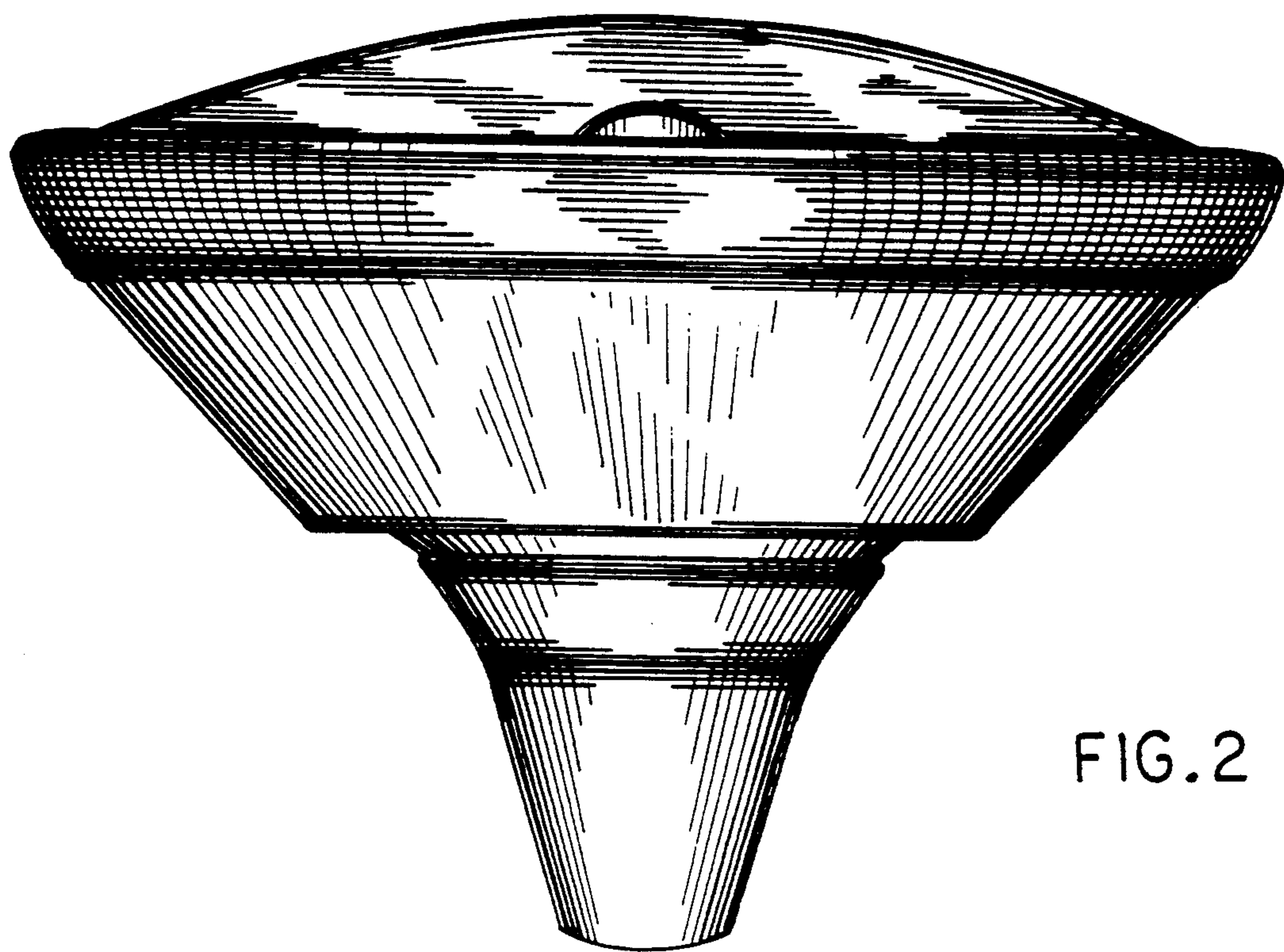


FIG. 2

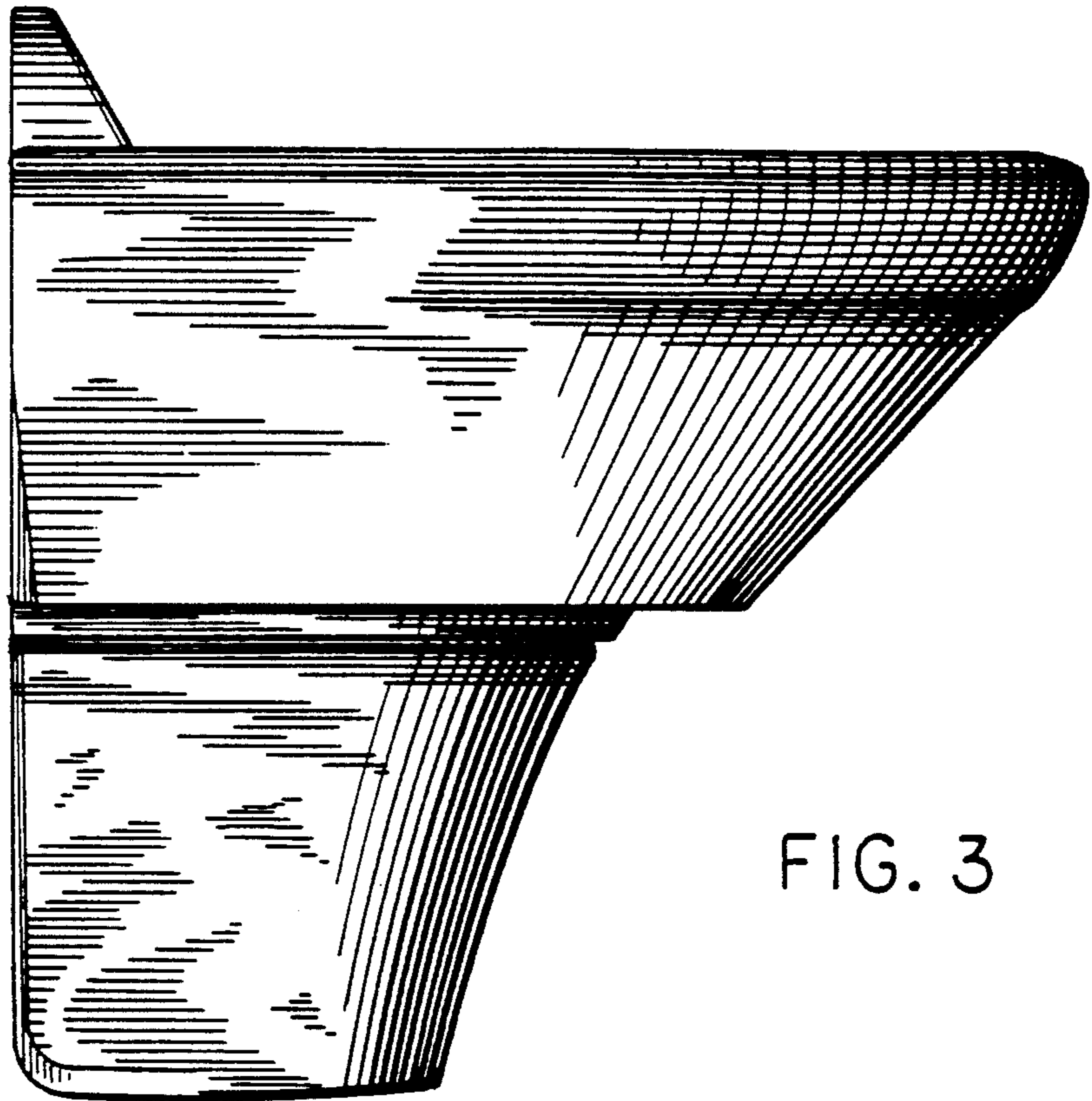


FIG. 3

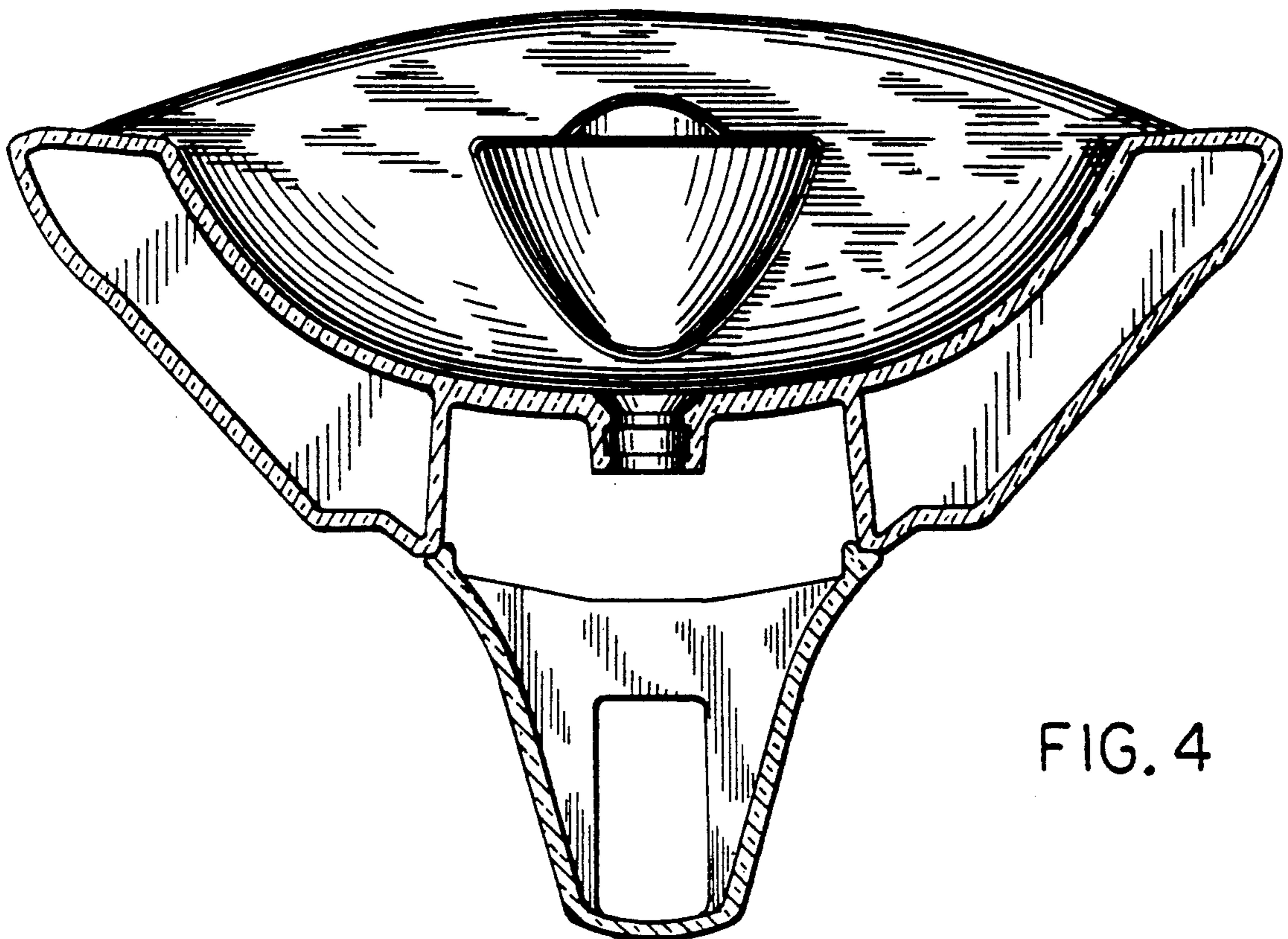
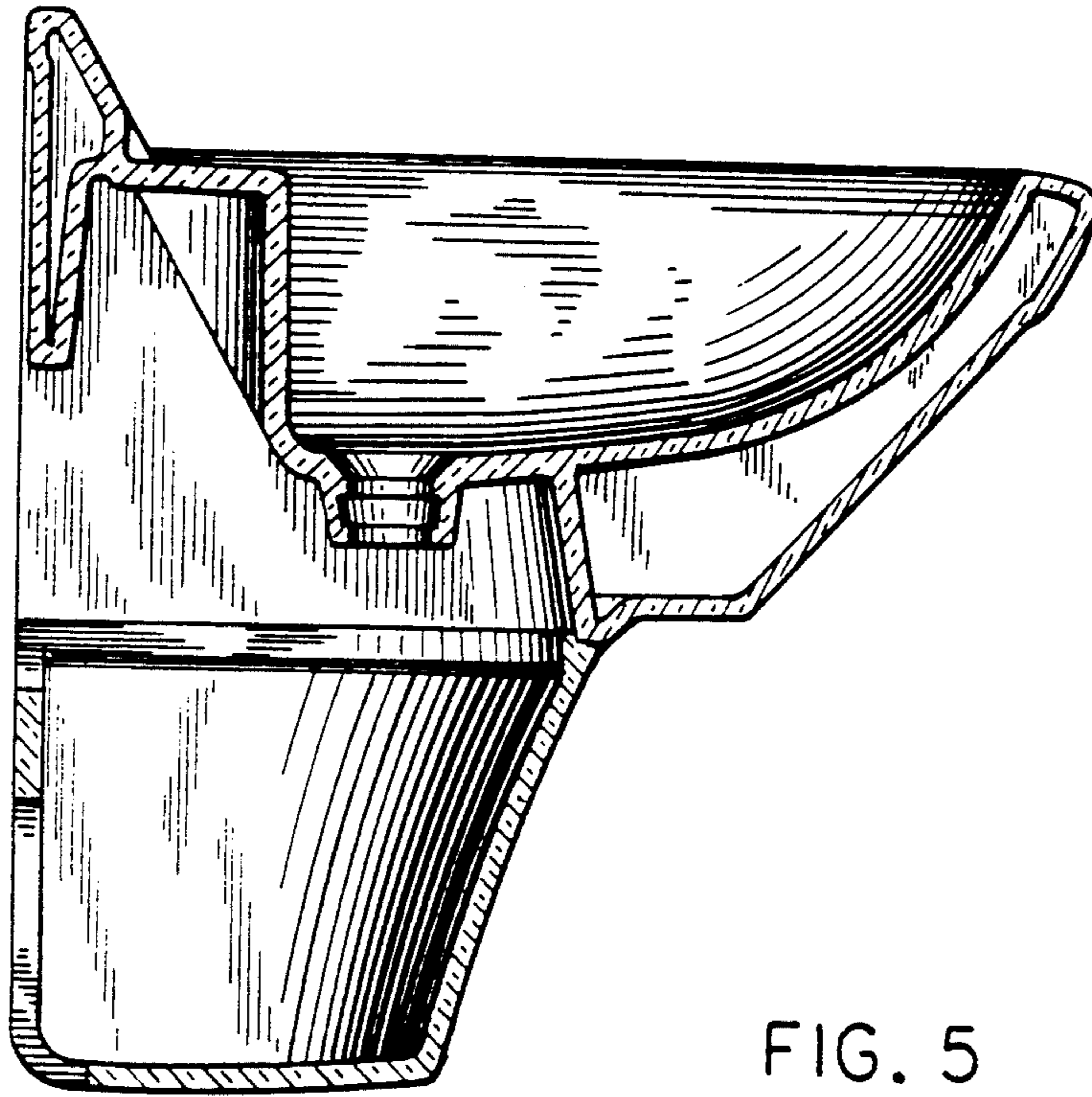


FIG. 4



→ 5

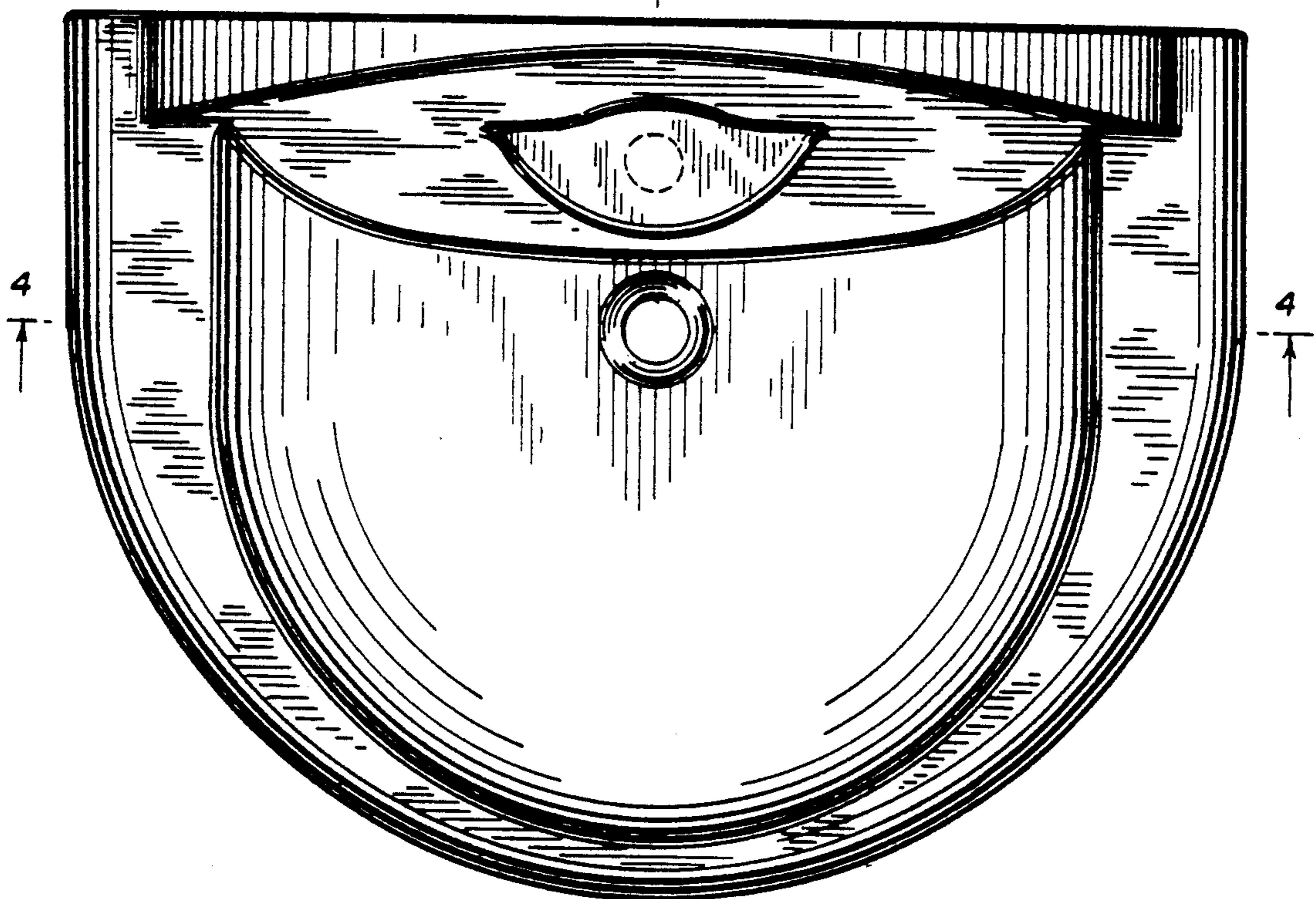


FIG. 6

→ 5