



US00D340968S

United States Patent [19]

[11] Patent Number: **Des. 340,968**

McKeone et al.

[45] Date of Patent: **** Nov. 2, 1993**

[54] SPOUT

[75] Inventors: **William C. McKeone; Mary J. Reid,**
both of Sheboygan, Wis.

[73] Assignee: **Kohler Co., Kohler, Wis.**

[**] Term: **14 Years**

[21] Appl. No.: **812,390**

[22] Filed: **Dec. 23, 1991**

[52] U.S. Cl. **D23/255**

[58] Field of Search **D23/238-243,**
D23/255-257; 4/675-678; 137/801

[56] **References Cited**

U.S. PATENT DOCUMENTS

D. 31,824	11/1899	Jones	D23/255
D. 235,099	5/1975	Doman	D23/257
D. 243,240	2/1977	Dreibelbis .	
D. 263,991	4/1982	Fleischmann	D23/257
D. 280,010	8/1985	Miller et al.	D23/257
D. 287,747	1/1987	Miller et al. .	
D. 295,550	5/1988	Yost	D23/255
D. 295,551	5/1988	Yost	D23/255
D. 318,099	7/1991	Reid et al.	D23/255
D. 318,906	8/1991	Spangler	D23/255
D. 326,560	5/1992	Kohler, Jr.	D23/255

OTHER PUBLICATIONS

Pages 3-4 of a Kohler ad from the K-500 catalog, dated Aug. 1991, admitted prior art.

Undated Jacob Delafon ad for Skipper faucets, admitted prior art.

Undated Mamoli Robinetteria ad for an Epoca faucet, admitted prior art.

Undated ad for Renaissance Collection fixtures, admitted prior art.

Undated Dorf ad for its Manorhouse faucet, admitted prior art.

Undated Wico ad, admitted prior art, showing in relevant part Models 821/001, 823/001, and 821/013 faucets.

Undated Price Pfister ad, admitted prior art, for a faucet.

Primary Examiner—James R. Largen
Attorney, Agent, or Firm—Quarles & Brady

[57] **CLAIM**

The ornamental design for a spout, as shown and described.

DESCRIPTION

FIG. 1 is a perspective view taken from the top, front and left side of a spout showing our new design;

FIG. 2 is a front elevational view thereof;

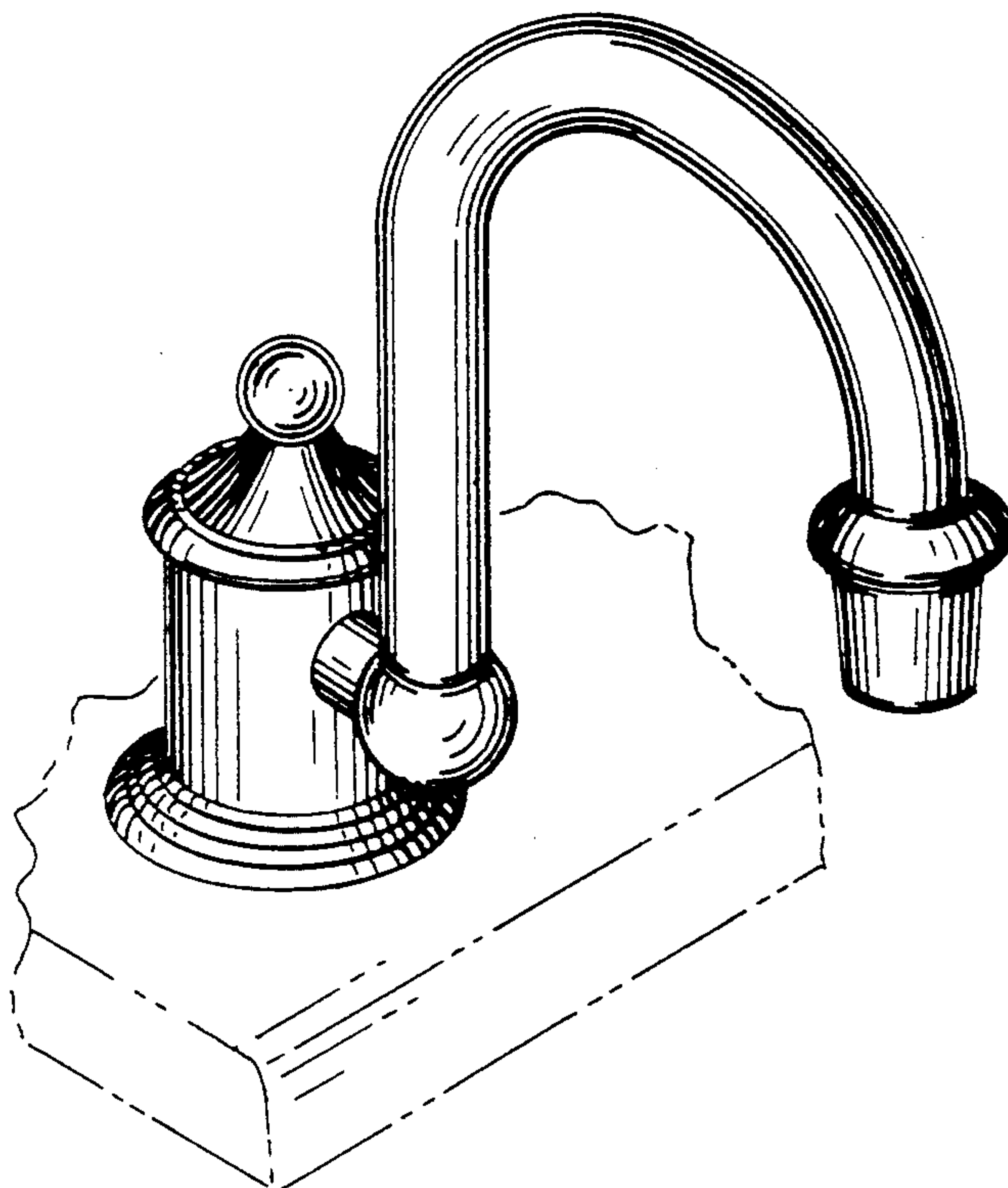
FIG. 3 is a top plan view thereof;

FIG. 4 is a rear elevational view thereof;

FIG. 5 is a right side elevational view thereof, the left side elevational view being its mirror image; and,

FIG. 6 is a bottom plan view thereof.

The fragmentary broken line representation of a sink in FIG. 1 is for the purpose of illustration only and forms no part of the claimed design.



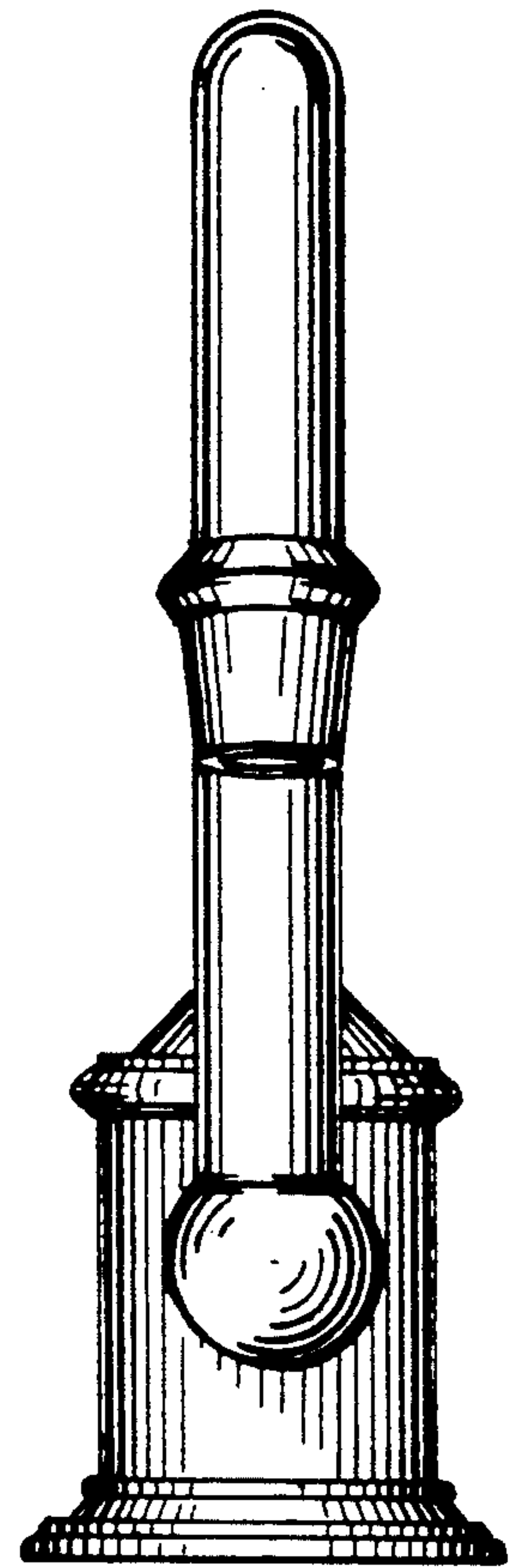
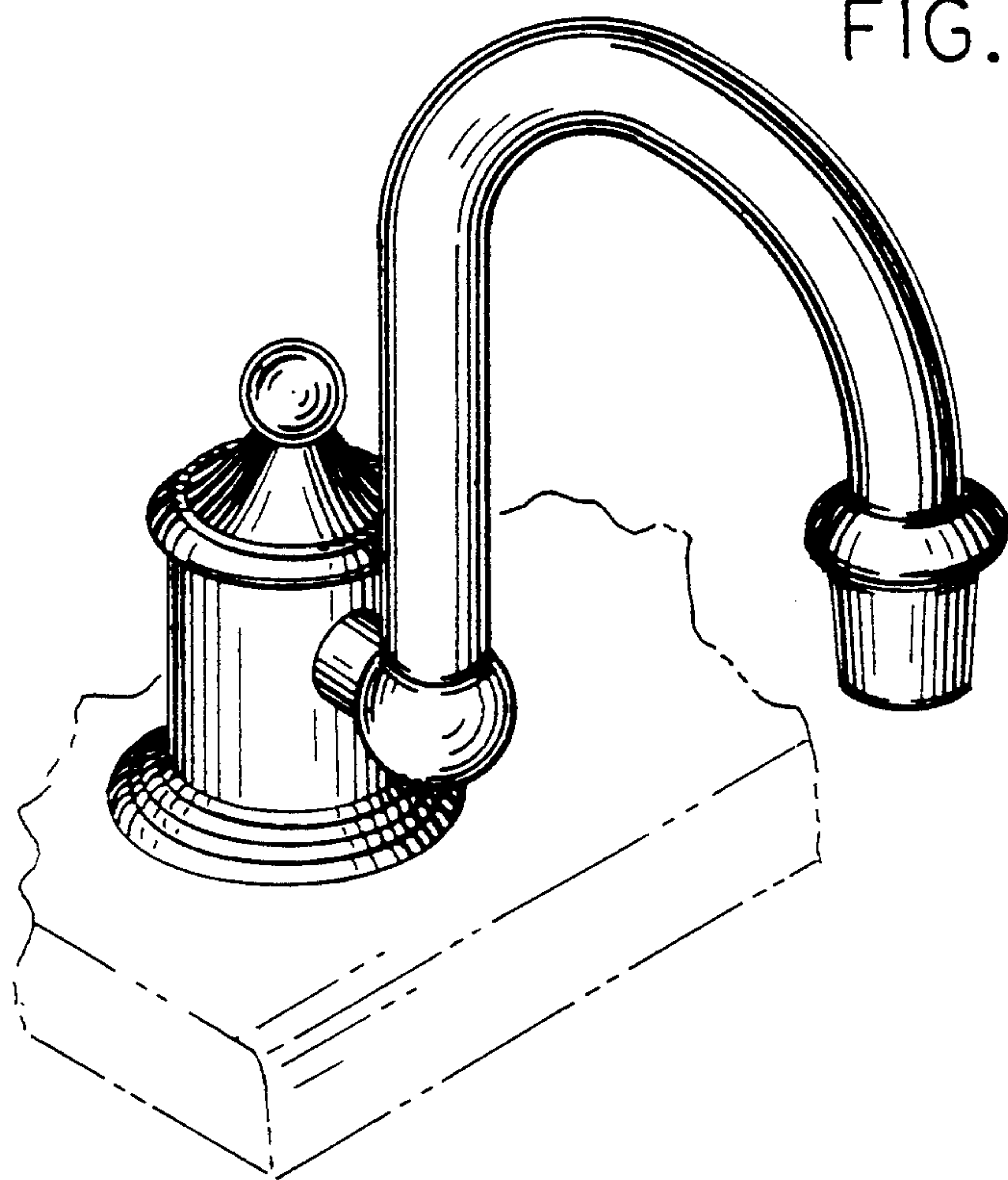


FIG. 2

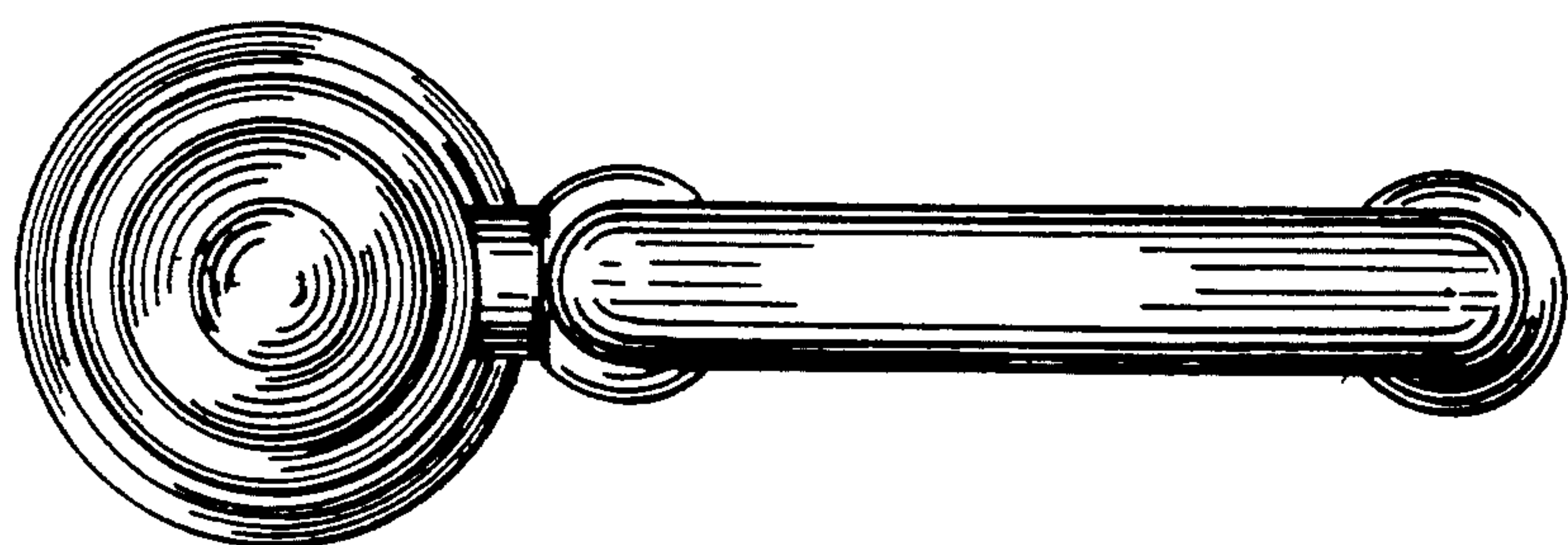


FIG. 3

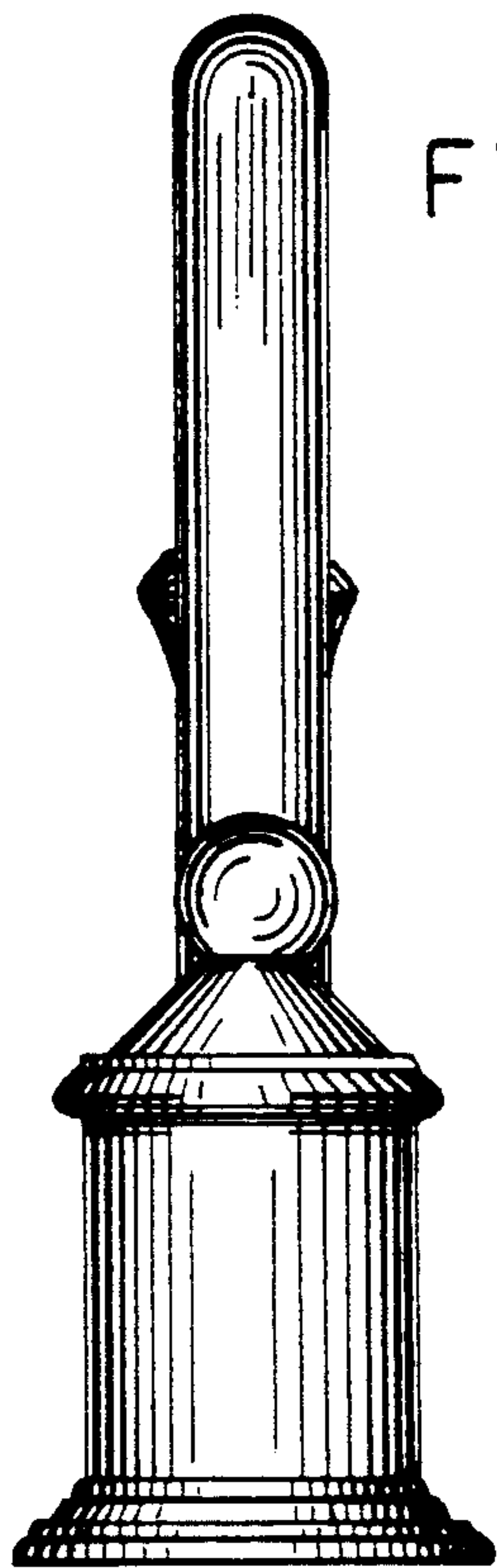


FIG. 4

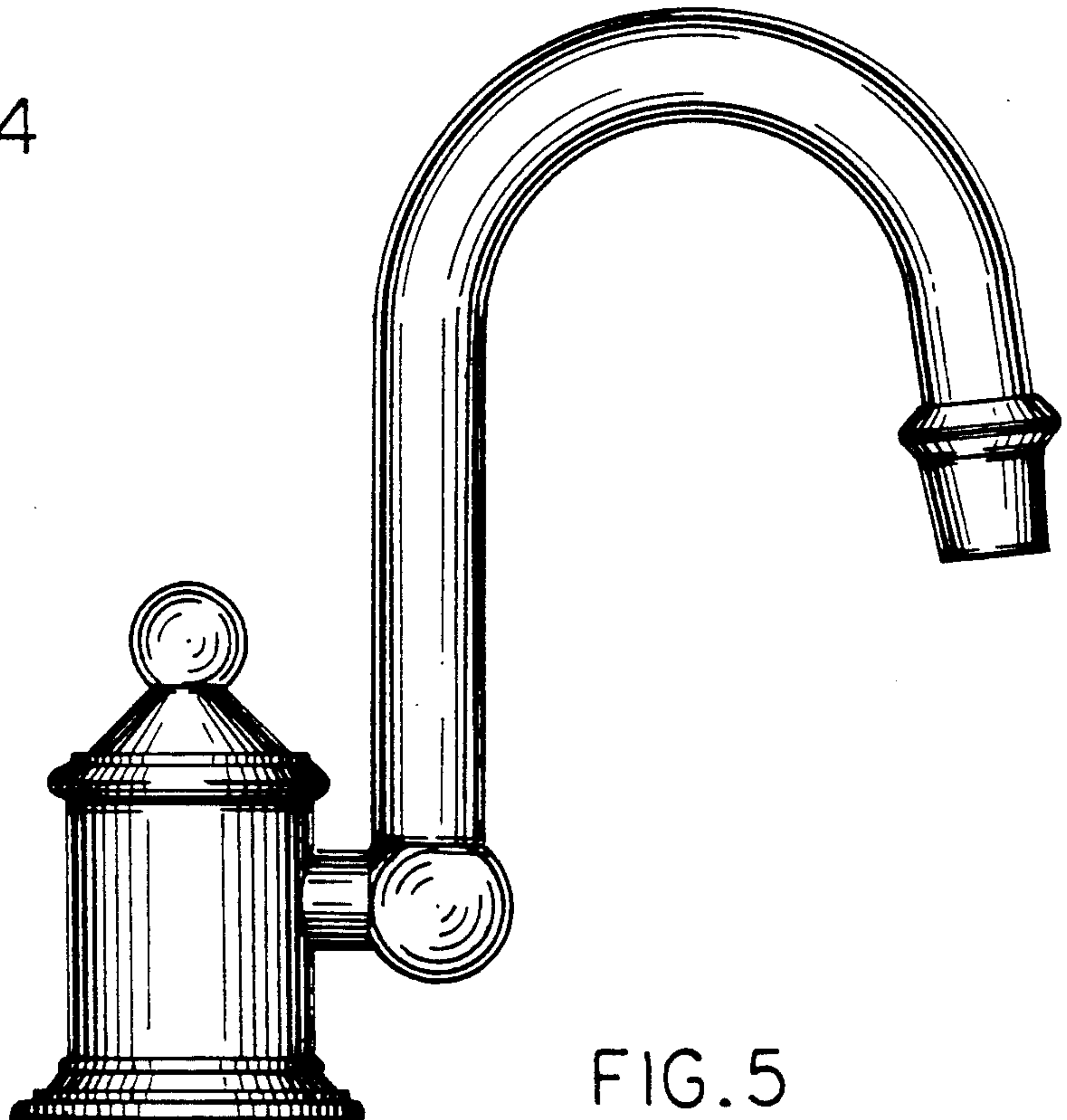


FIG. 5

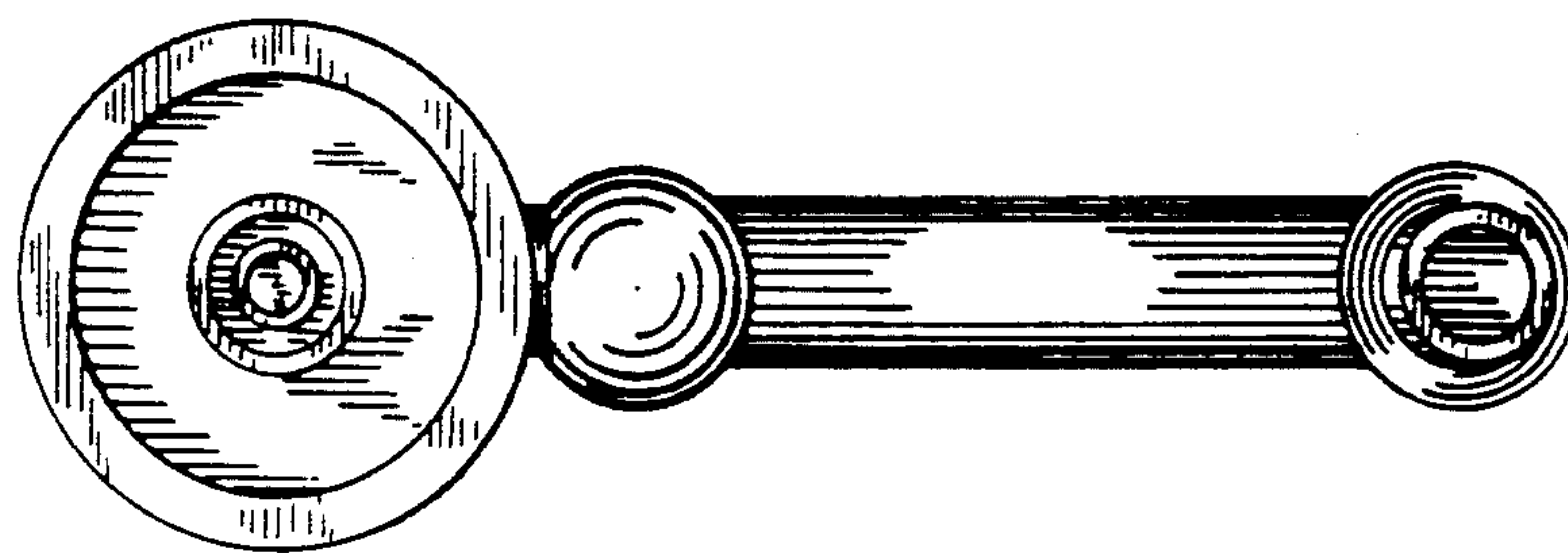


FIG. 6