



US00D340964S

United States Patent [19]

[11] Patent Number: **Des. 340,964**

Dunphy

[45] Date of Patent: **** Nov. 2, 1993**

[54] **PUTTING AID**

[56] **References Cited**

[76] Inventor: **John M. Dunphy**, 18 Marina Crescent, Gymea Bay, New South Wales, Australia, 2227

U.S. PATENT DOCUMENTS

D. 182,863 5/1958 Wells D21/234
D. 200,650 3/1965 Kogan D21/234
D. 323,357 1/1992 Mulay D21/8

[**] Term: **14 Years**

Primary Examiner—Melvin B. Feifer
Attorney, Agent, or Firm—Price, Gess & Ubell

[21] Appl. No.: **765,698**

[57] CLAIM

The ornamental design for a putting aid, as shown and described.

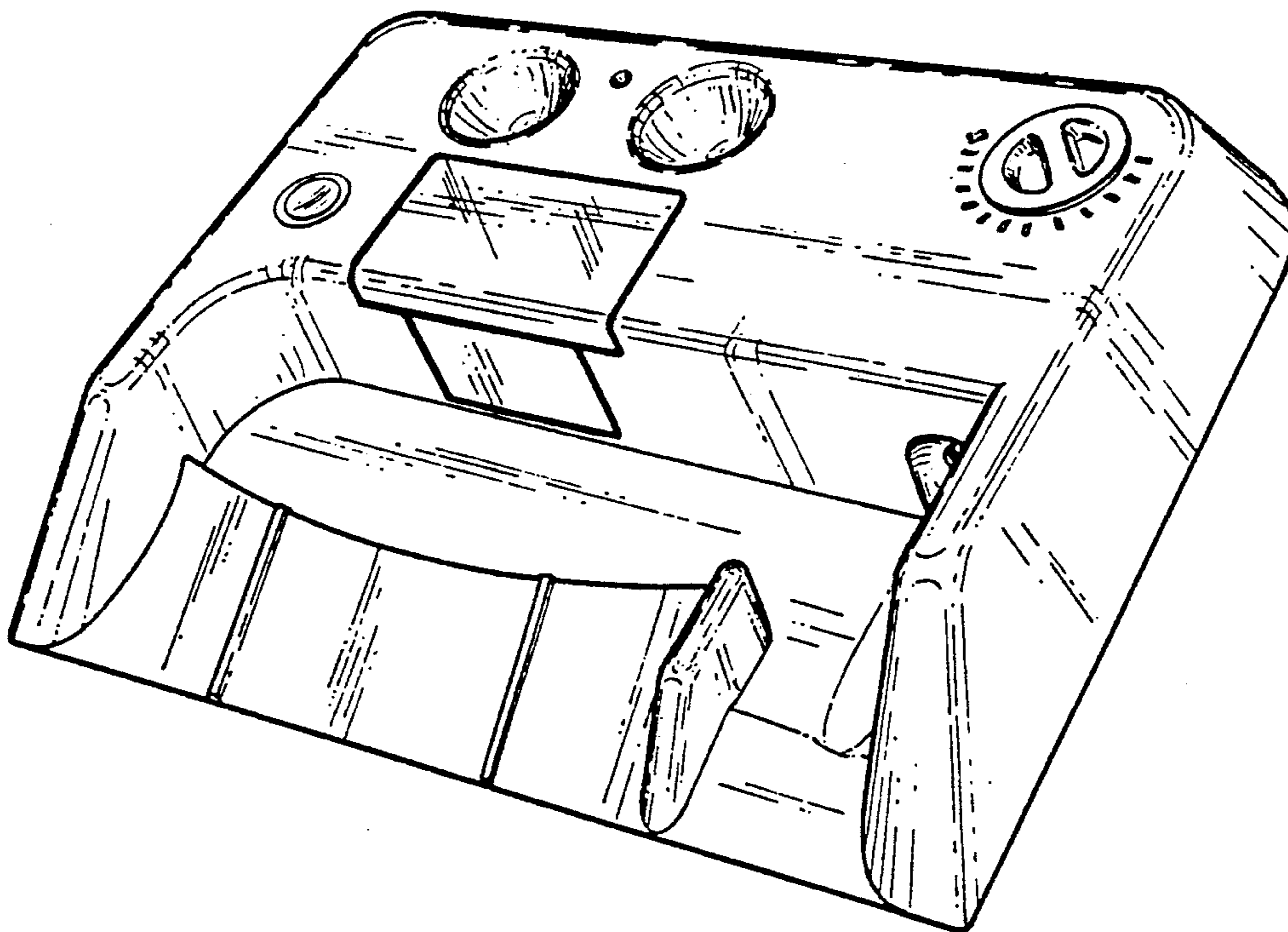
[22] Filed: **Sep. 25, 1991**

DESCRIPTION

[30] Foreign Application Priority Data

Jul. 19, 1991 [AU] Australia 2100/91
[52] U.S. Cl. **D21/234**
[58] Field of Search D21/234, 8; 273/179 A, 273/179 B

FIG. 1 is a front perspective view of the putting aid showing the new design;
FIG. 2 is bottom perspective view thereof;
FIG. 3 is a front elevational view thereof;
FIG. 4 is a top plan view thereof;
FIG. 5 is a rear elevational view thereof; and,
FIG. 6 is a side elevational view showing the mirror image of the opposite side view.



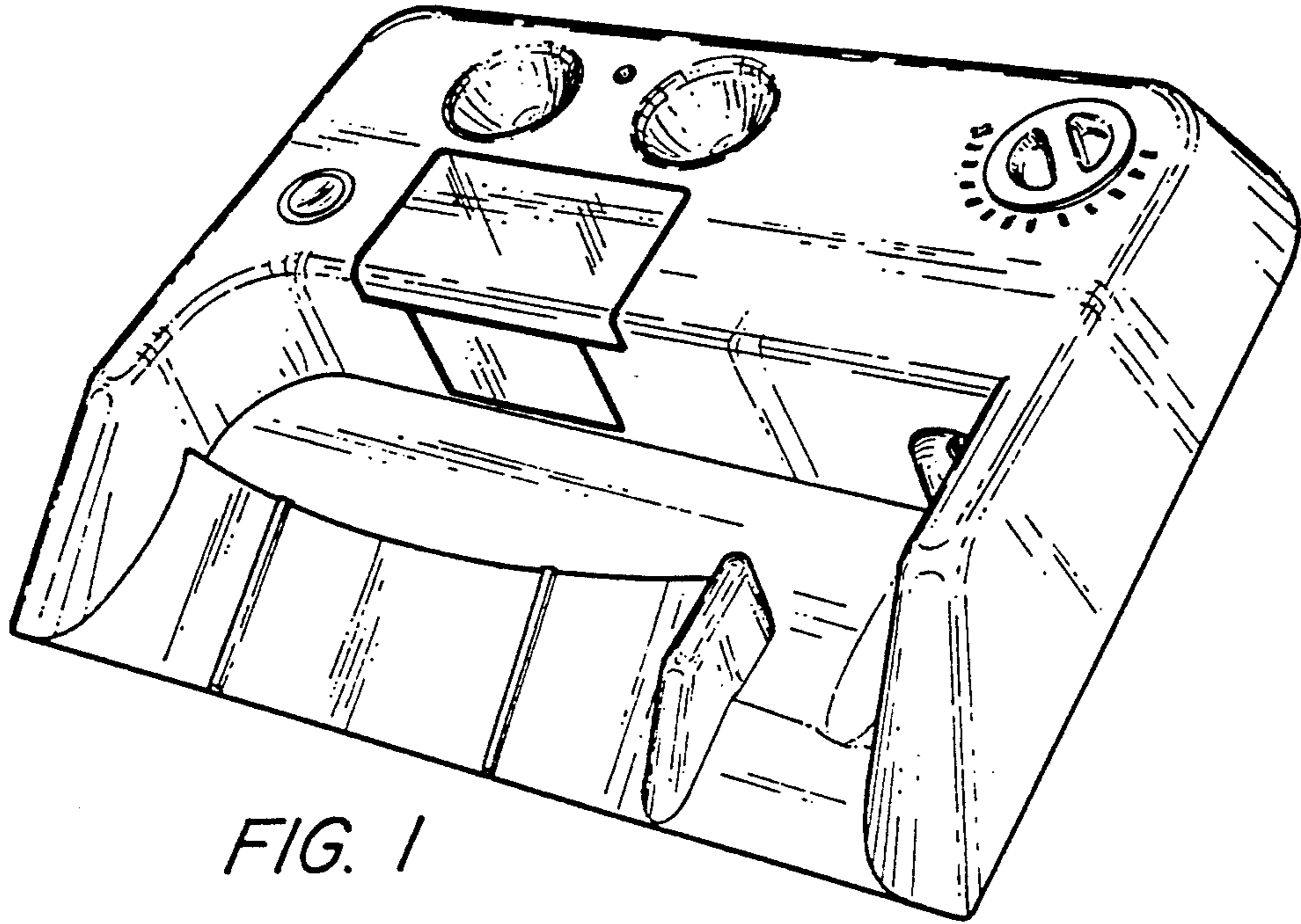


FIG. 1

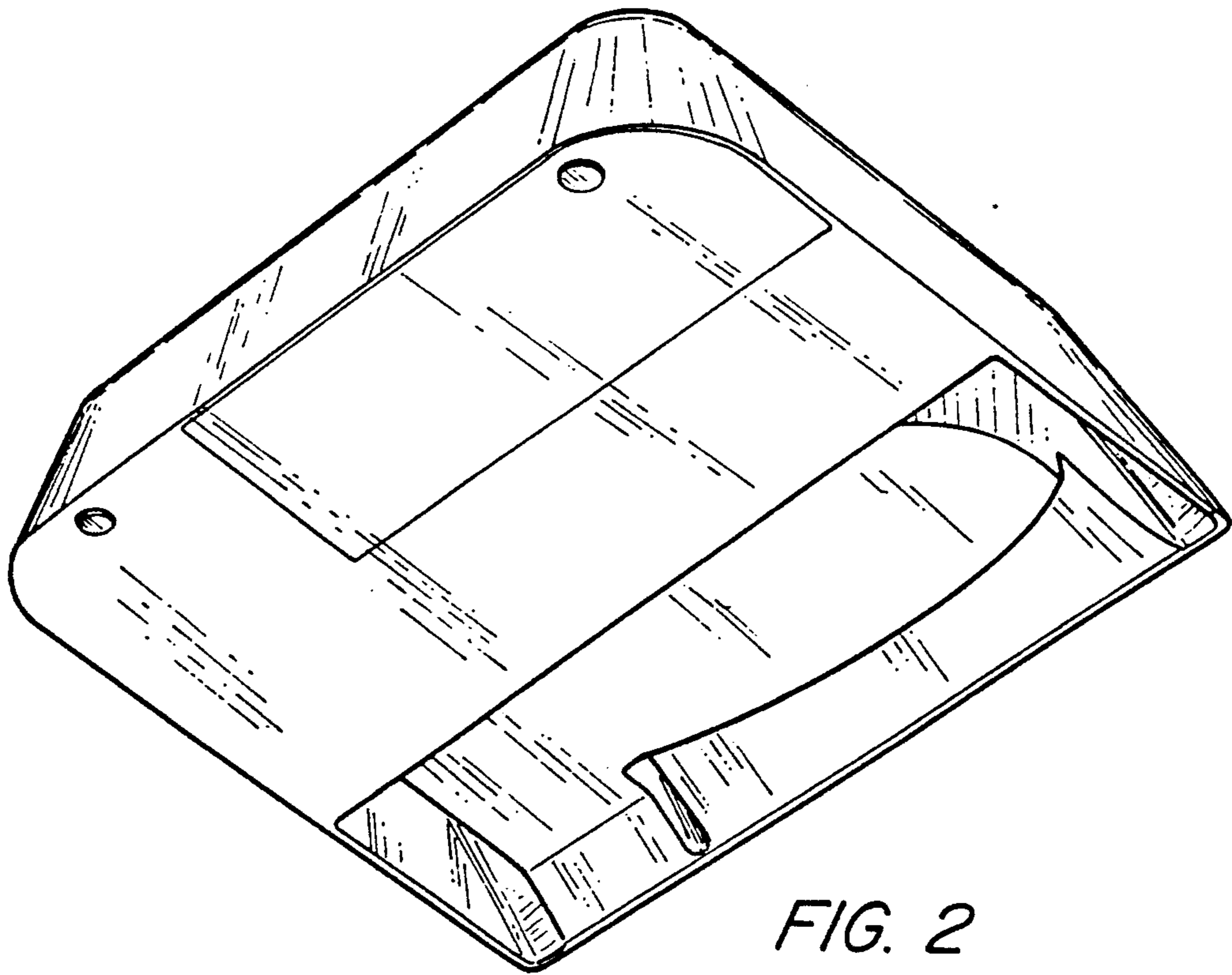


FIG. 2

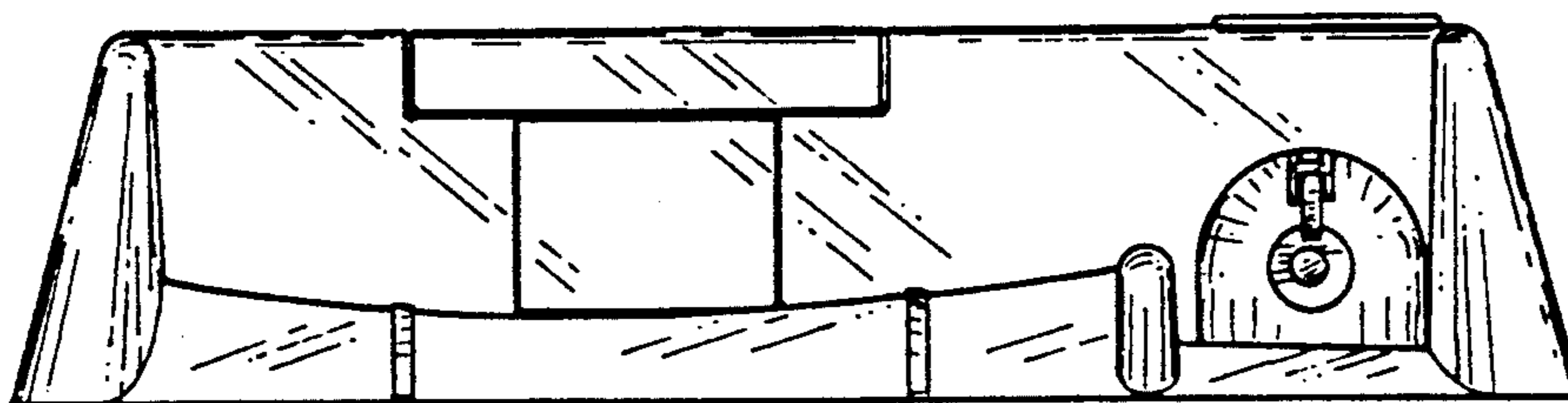


FIG. 3

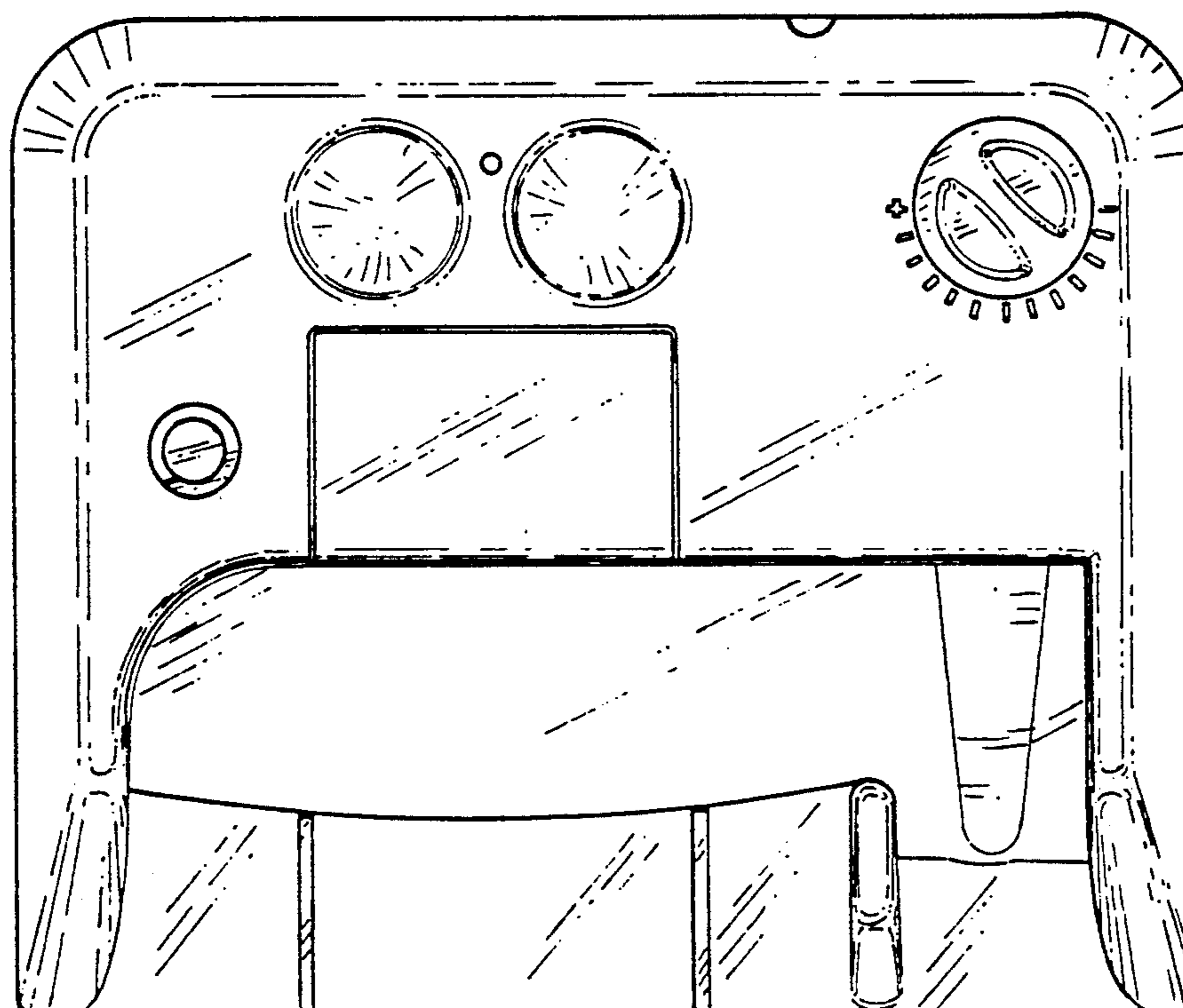


FIG. 4

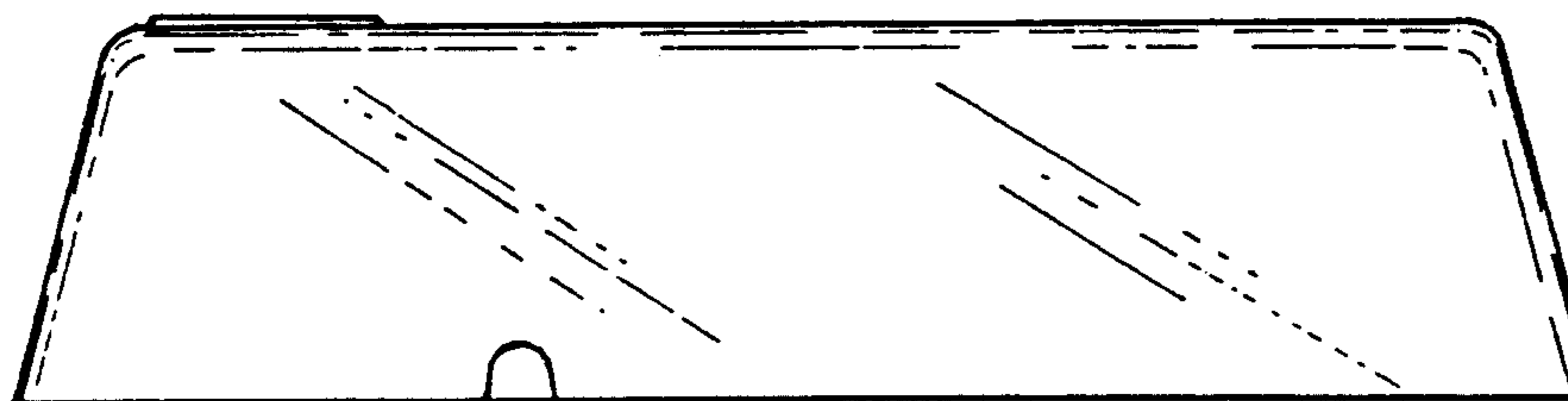


FIG. 5

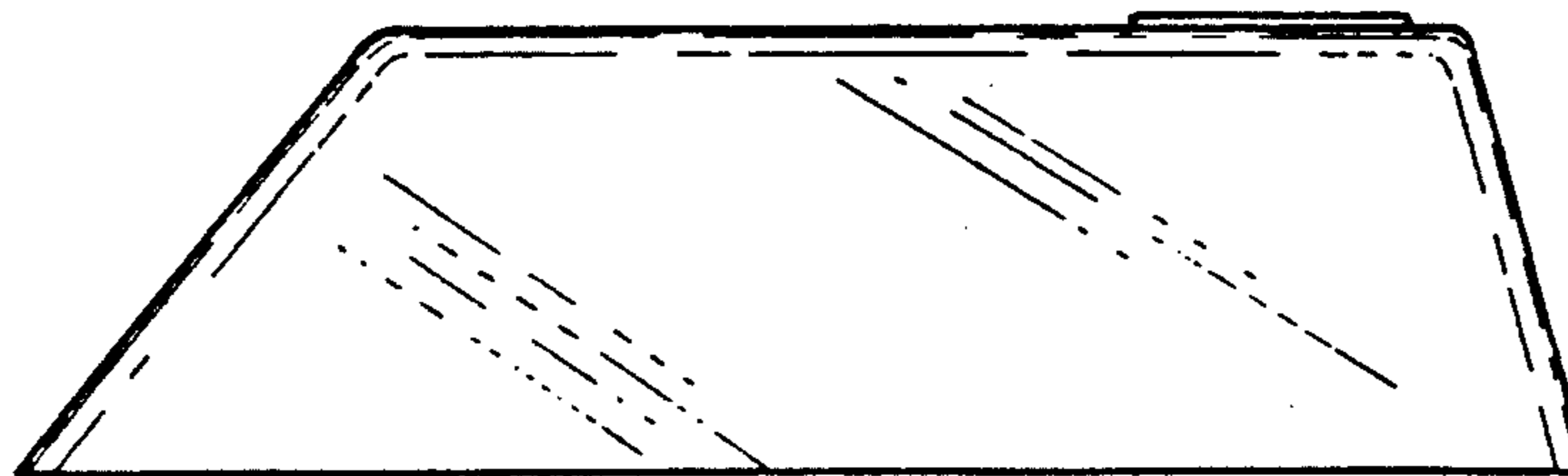


FIG. 6