



US00D340961S

United States Patent [19]

Miller

[11] Patent Number: **Des. 340,961**

[45] Date of Patent: **** Nov. 2, 1993**

[54] EXERCISER SEAT

[75] Inventor: **Randolph F. Miller**, Mount Vernon, Wash.

[73] Assignee: **Tunturi, Inc.**, Redmond, Wash.

[**] Term: **14 Years**

[21] Appl. No.: **797,274**

[22] Filed: **Nov. 25, 1991**

[52] U.S. Cl. **D21/191; D6/501**

[58] Field of Search **D21/191, 195; D6/380, D6/500, 501, 502; 297/440, 445, 453; 482/57, 66, 72**

[56] References Cited

U.S. PATENT DOCUMENTS

D. 279,152	6/1985	Murry	D6/501
D. 279,443	7/1985	Diffrient	D6/501
D. 283,636	4/1986	Lepley	D21/191
D. 289,706	5/1987	Talmon et al.	D6/500
D. 291,508	8/1987	Herr	D6/501
D. 297,995	10/1988	Stulik	D6/501
D. 321,225	10/1991	Solow et al.	D21/191
D. 321,226	10/1991	Solow et al.	D21/191
D. 321,228	10/1991	Van Der Hoeven	D21/195
4,084,775	0/1978	Pelly	297/453
4,690,459	9/1987	Ullman	297/445

OTHER PUBLICATIONS

Information sheet regarding Tunturi, Inc. Recumbent Aircycle F803.

Information sheet regarding Proteus Air-Resistance Exercise Equipment ARB 800 Air Recumbent Cycle, marketed by Proteus, a division of Pan Asia Mfg. Group, 9220 Norwalk Blvd., Santa Fe Springs, CA 90670.

Information sheet regarding Ergoline E Model H91, marketed by BH Fitness, A Division of Foremon, Inc. P.O. Box 9794, Newark, DE 19714.

Information sheet regarding Semi-Recumbent Stationary Cycle 815e, marketed by Precor, Inc. of Redmond, Washington.

Primary Examiner—Bernard Ansher

Assistant Examiner—Philip Hyder

Attorney, Agent, or Firm—Graybeal, Jackson, Haley & Johnson

[57] CLAIM

The ornamental design for an exerciser seat, as shown and described.

DESCRIPTION

FIG. 1 is a top, front isometric view of an exerciser seat showing my new design;

FIG. 2 is a front view thereof;

FIG. 3 is a left side view thereof;

FIG. 4 is a rear view thereof;

FIG. 5 is a top plan view thereof; and,

FIG. 6 is a bottom view thereof.

The side elevational view from the right side of the seat is a mirror image of the side view shown in FIG. 3.

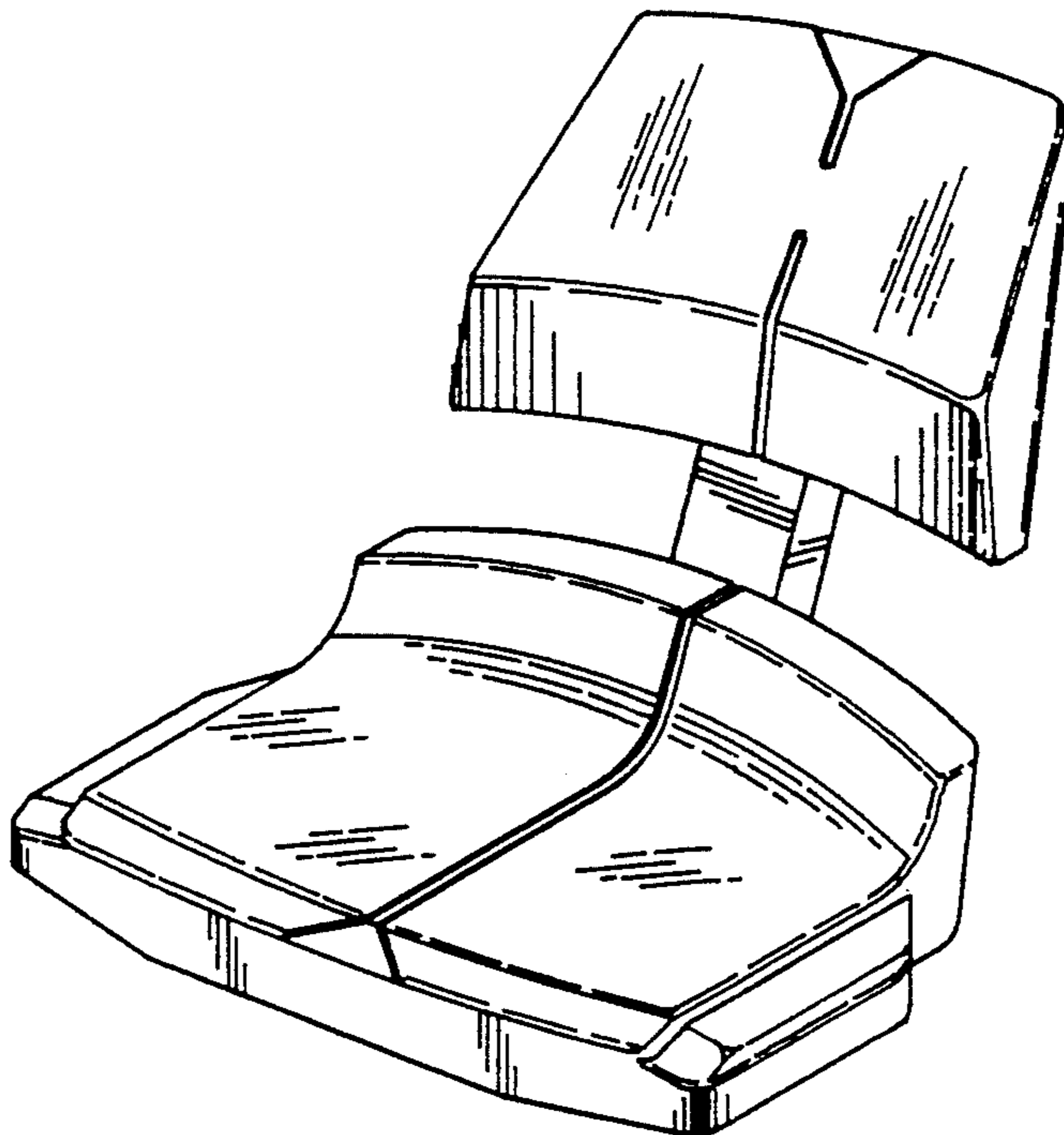


FIG. 1

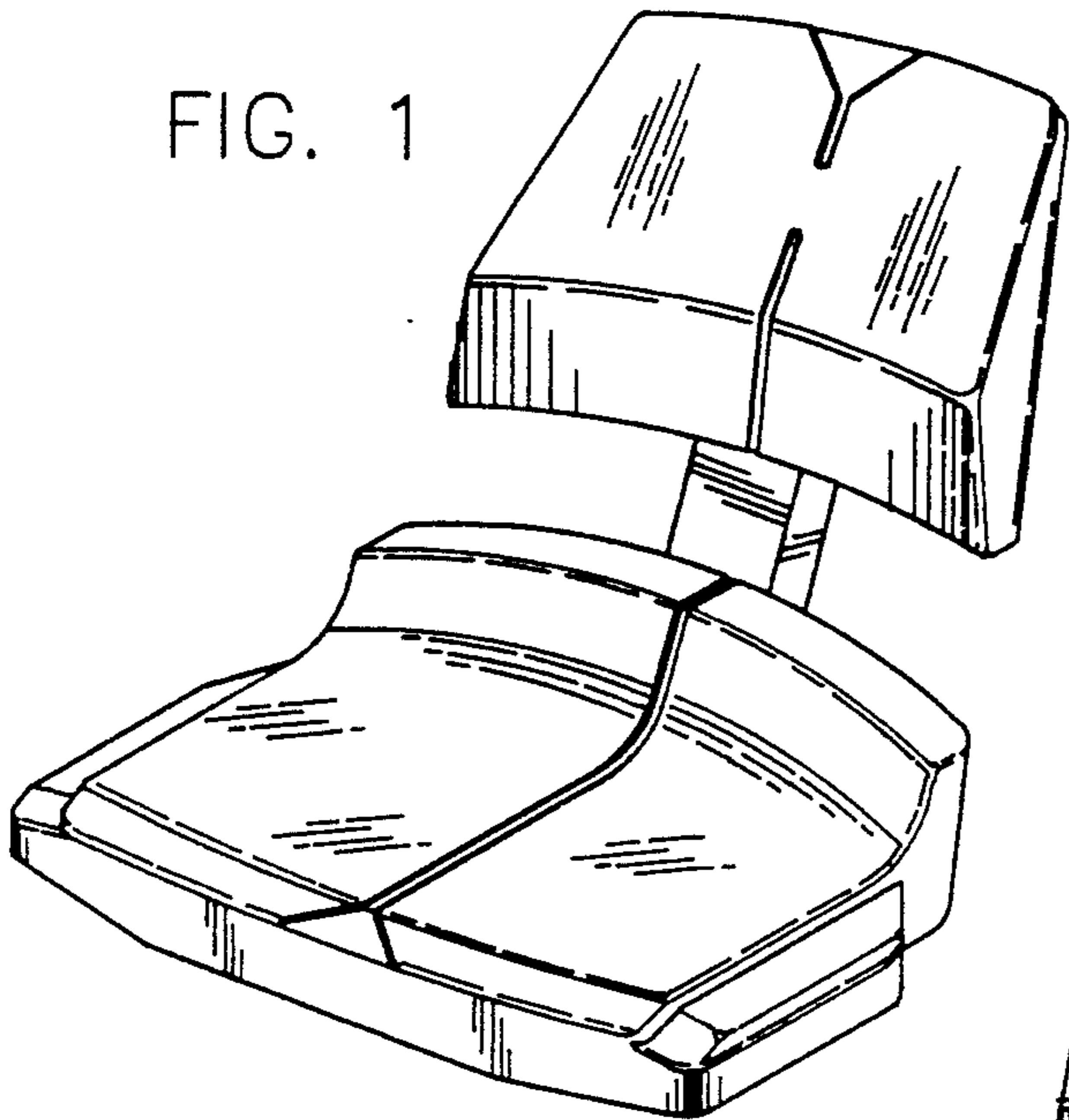


FIG. 2

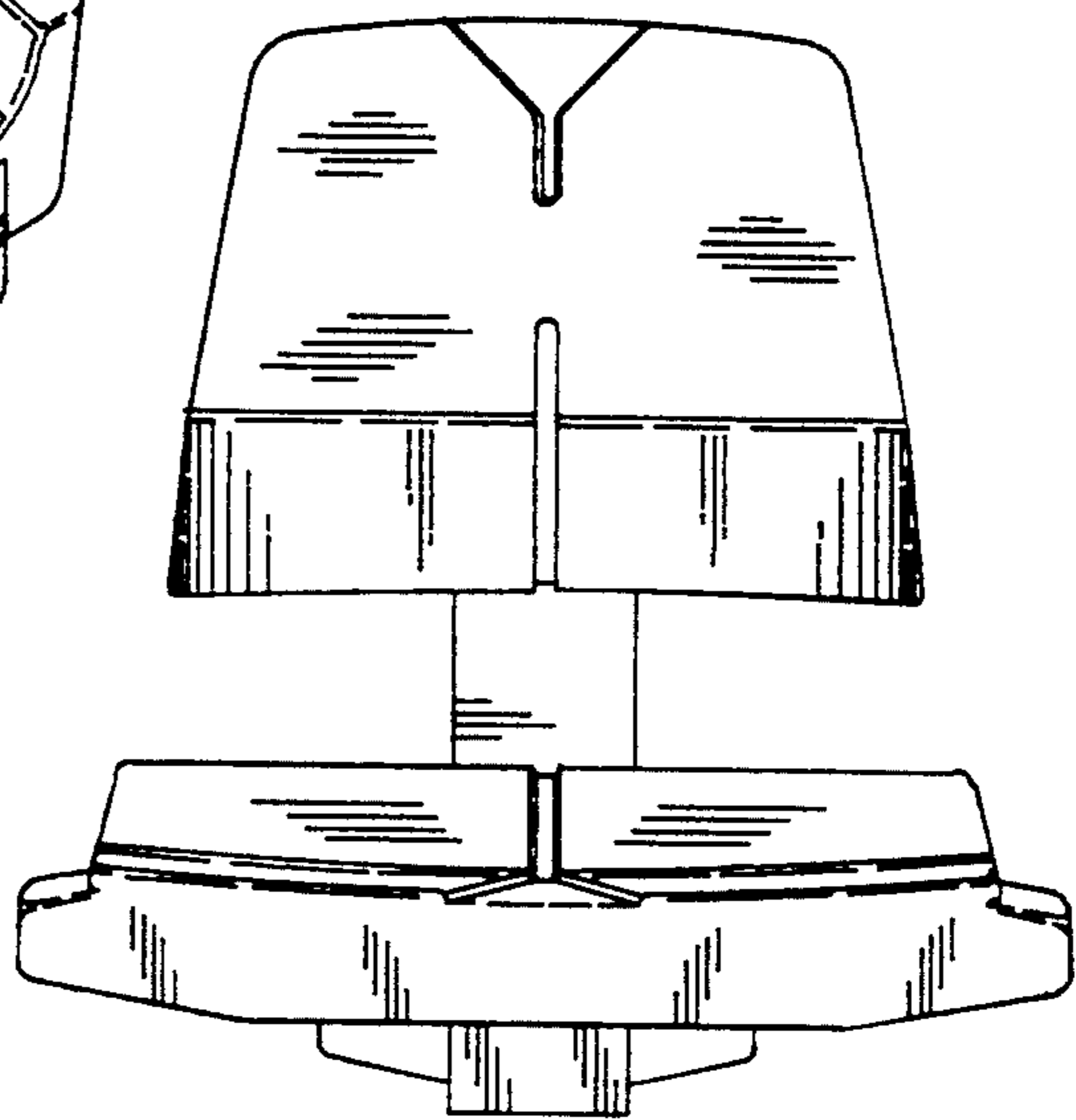


FIG. 3

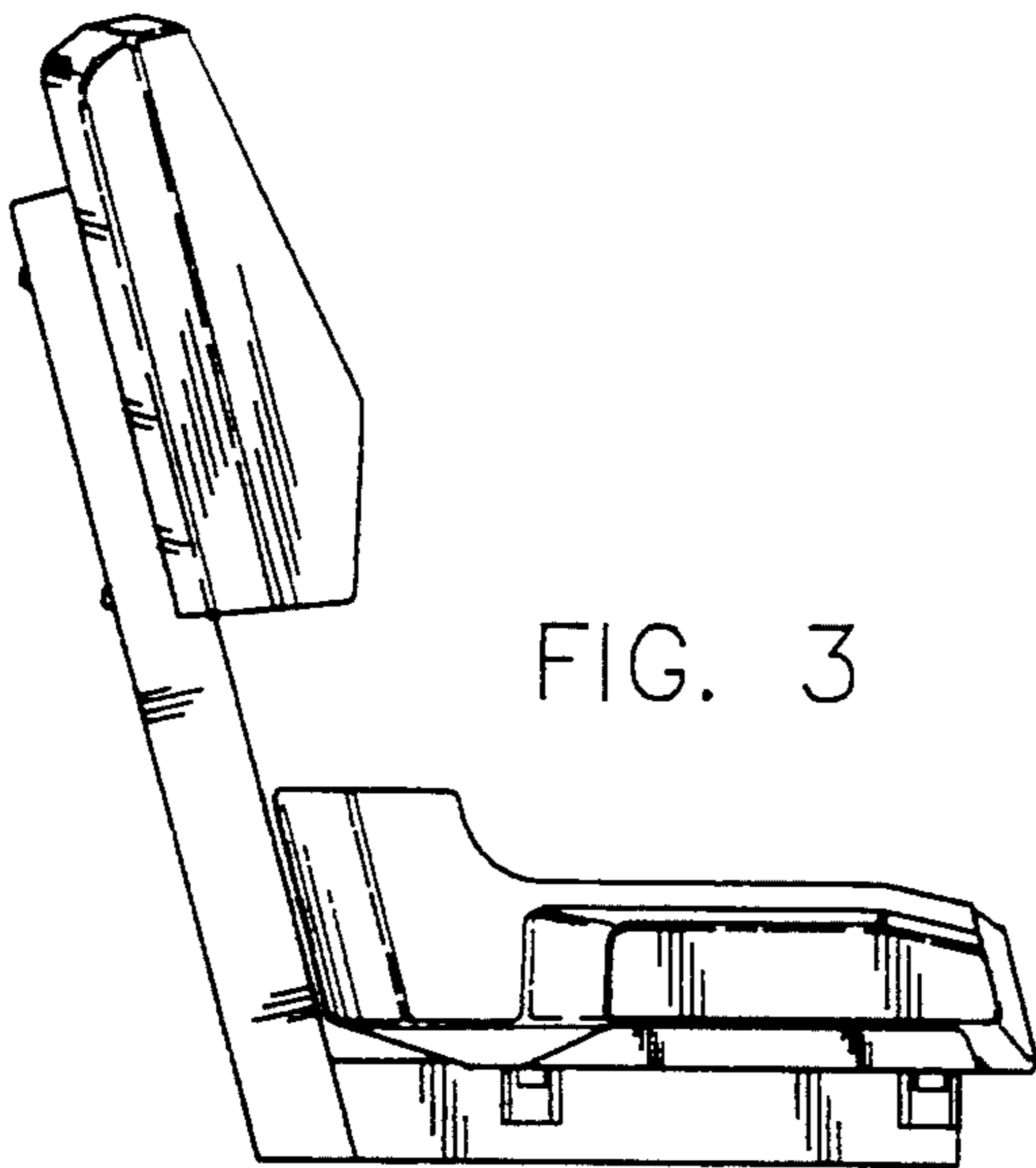


FIG. 4

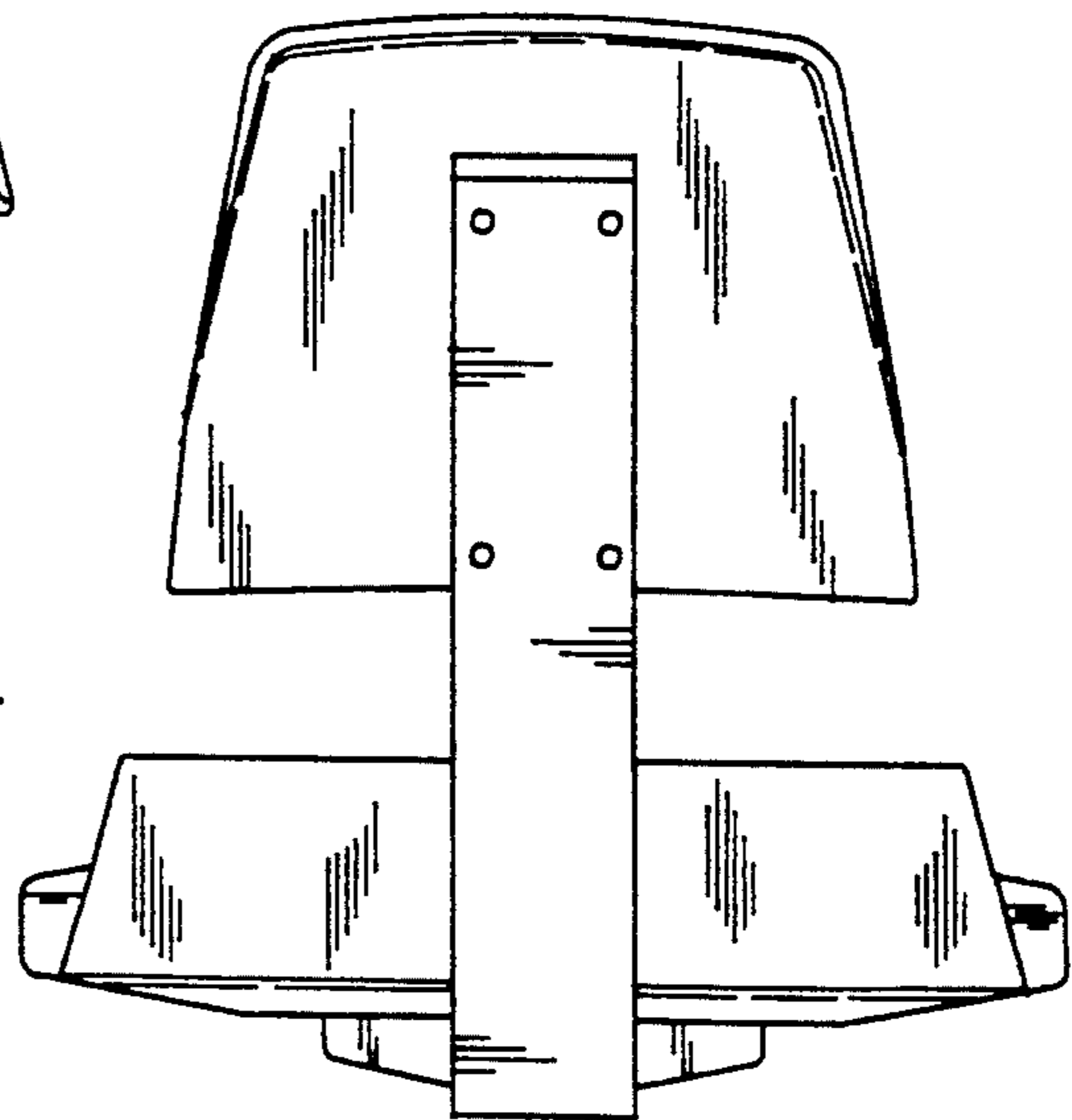


FIG. 5

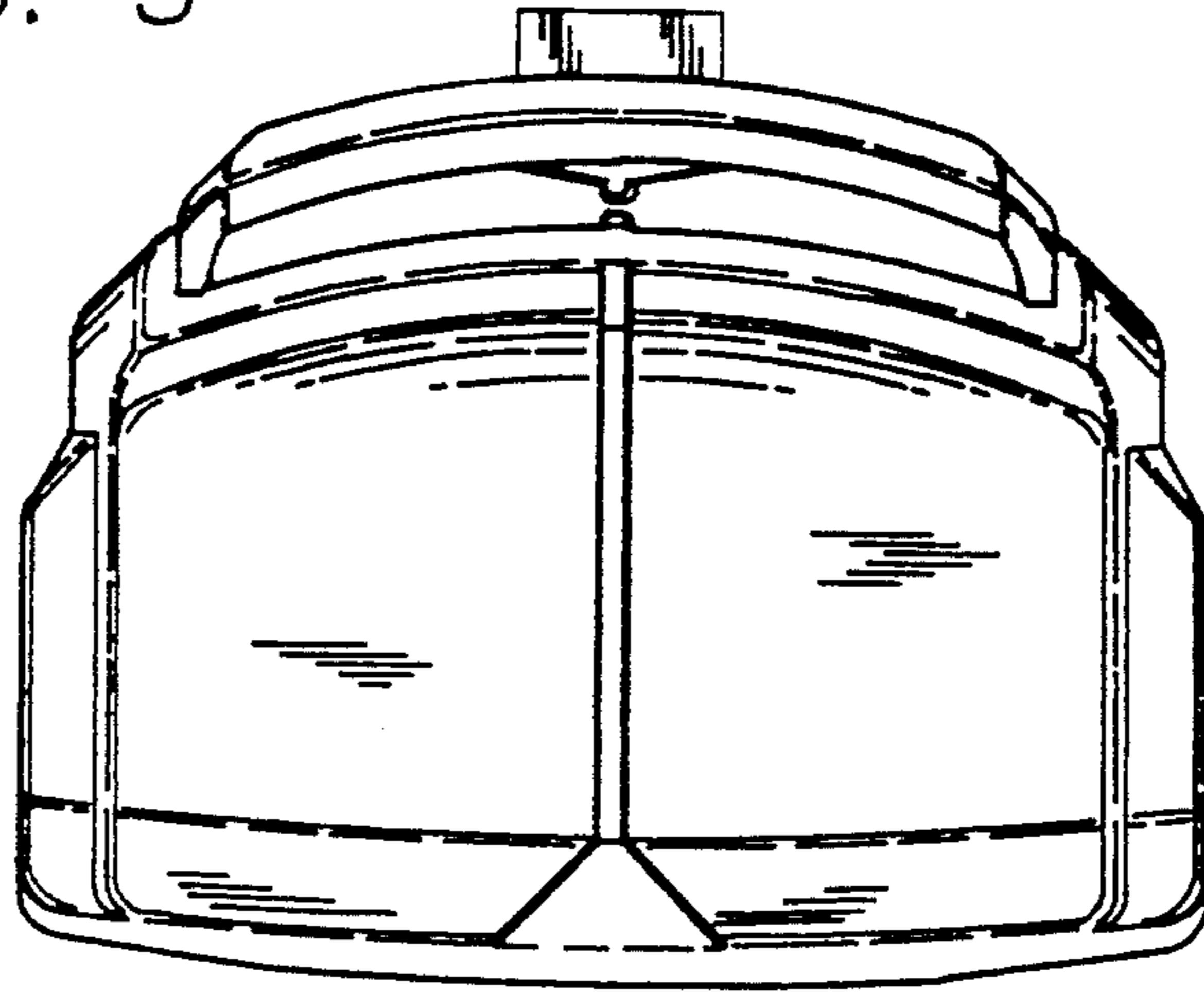


FIG. 6

