



US00D340960S

United States Patent [19]

[11] Patent Number: **Des. 340,960**

Phinney et al.

[45] Date of Patent: **** Nov. 2, 1993**

[54] **BODY FOR A TOY FIGURE**

[75] Inventors: **Raymond C. Phinney; William J. Maloney**, both of East Aurora, N.Y.

[73] Assignee: **Fisher-Price, Inc.**, East Aurora, N.Y.

[**] Term: **14 Years**

[21] Appl. No.: **592,067**

[22] Filed: **Oct. 3, 1990**

[52] U.S. Cl. **D21/189**

[58] Field of Search **D21/189, 190, 168; 446/97, 100, 101**

Little People, pp. 62-67 from the Fisher-Price 1987 Toy Fair Catalog.

Little People, pp. 46-51 from the Fisher-Price 1988 Pre-Toy Fair Catalog.

Little People Floating Marina; Little People Playground; and Little People Swimming Pool, pp. 28 and 29 from the Fisher-Price 1988 Spring Catalog.

Little People, pp. 68-75 from the Fisher-Price 1988 Toy Fair Catalog.

Little People, pp. 44-51 from the Fisher-Price 1989 Toy Fair Catalog.

Little People, pp. 40-46 from the Fisher-Price 1990 Toy Fair Catalog.

[56] **References Cited**

U.S. PATENT DOCUMENTS

D. 241,044	8/1976	Daenen	D21/168
D. 251,261	3/1979	Tapdrup	D21/168
D. 255,813	7/1980	Pape et al.	D21/168
4,356,659	11/1982	Clarke	446/97
4,846,750	7/1989	Tapdrup	446/97
4,950,912	8/1990	Goldfarb et al.	446/97

OTHER PUBLICATIONS

Fisher-Price 1987 Toy Fair Cat., p. 26, bottom left, Figure in 0411 illustration, and p. 62, bottom, Figure in 2581 illustration.

Little People, pp. 38-43 from the Fisher-Price 1987 Pre-Toy Catalog.

Discovery Cottage, p. 14 from the Fisher-Price 1987 Spring Catalog.

Primary Examiner—Melvin B. Feifer

Attorney, Agent, or Firm—Howrey & Simon

[57] **CLAIM**

The ornamental design for a body for a toy figure, as shown and described.

DESCRIPTION

FIG. 1 is a front right side perspective view of a body for a toy figure showing my new design;

FIG. 2 is a top plan view thereof;

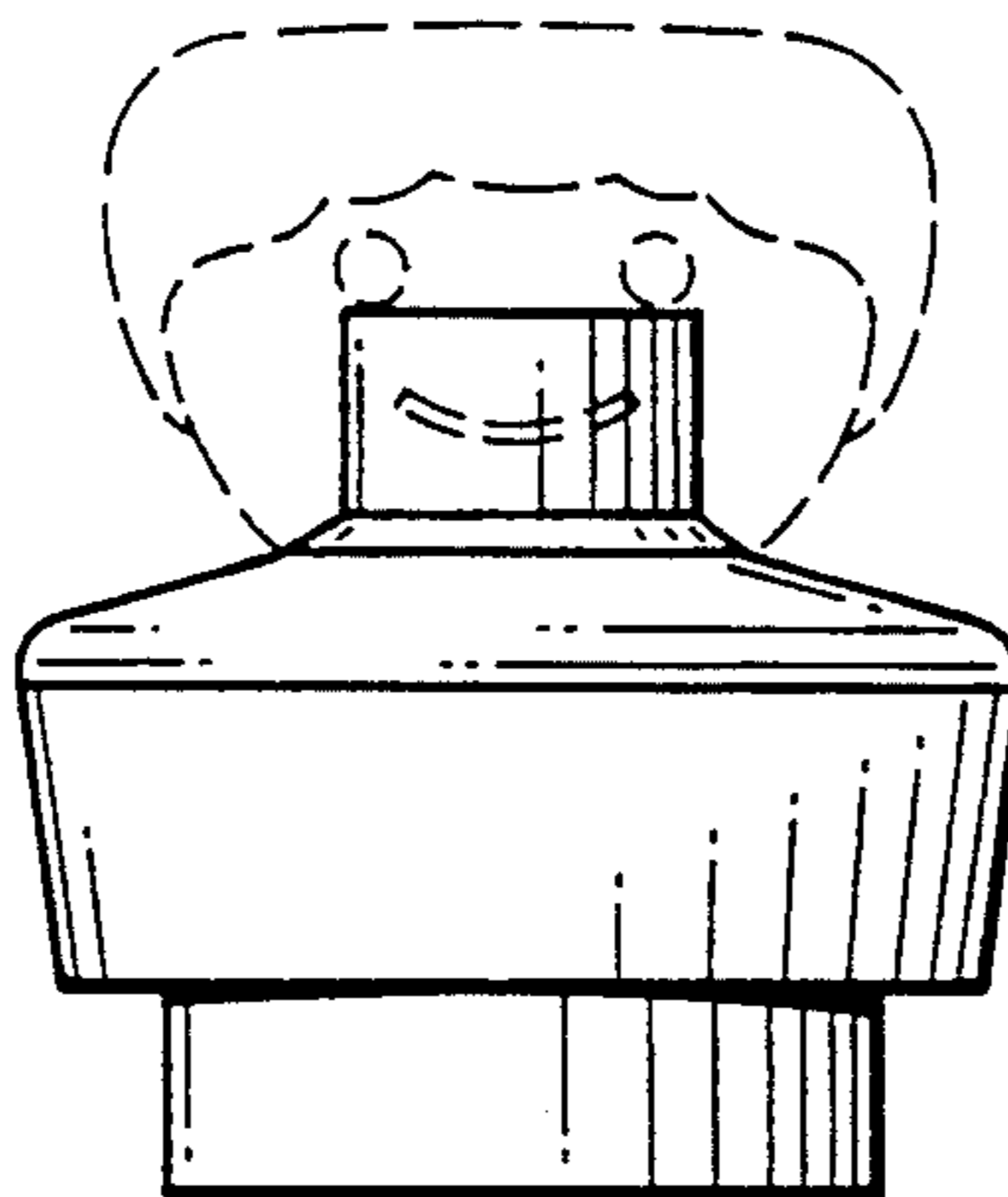
FIG. 3 is a right side elevational view, left side being substantially a mirror image thereof;

FIG. 4 is a front elevational view thereof;

FIG. 5 is a rear elevational view thereof; and,

FIG. 6 is a bottom plan view.

The broken line showing of a toy head is to show environment only.



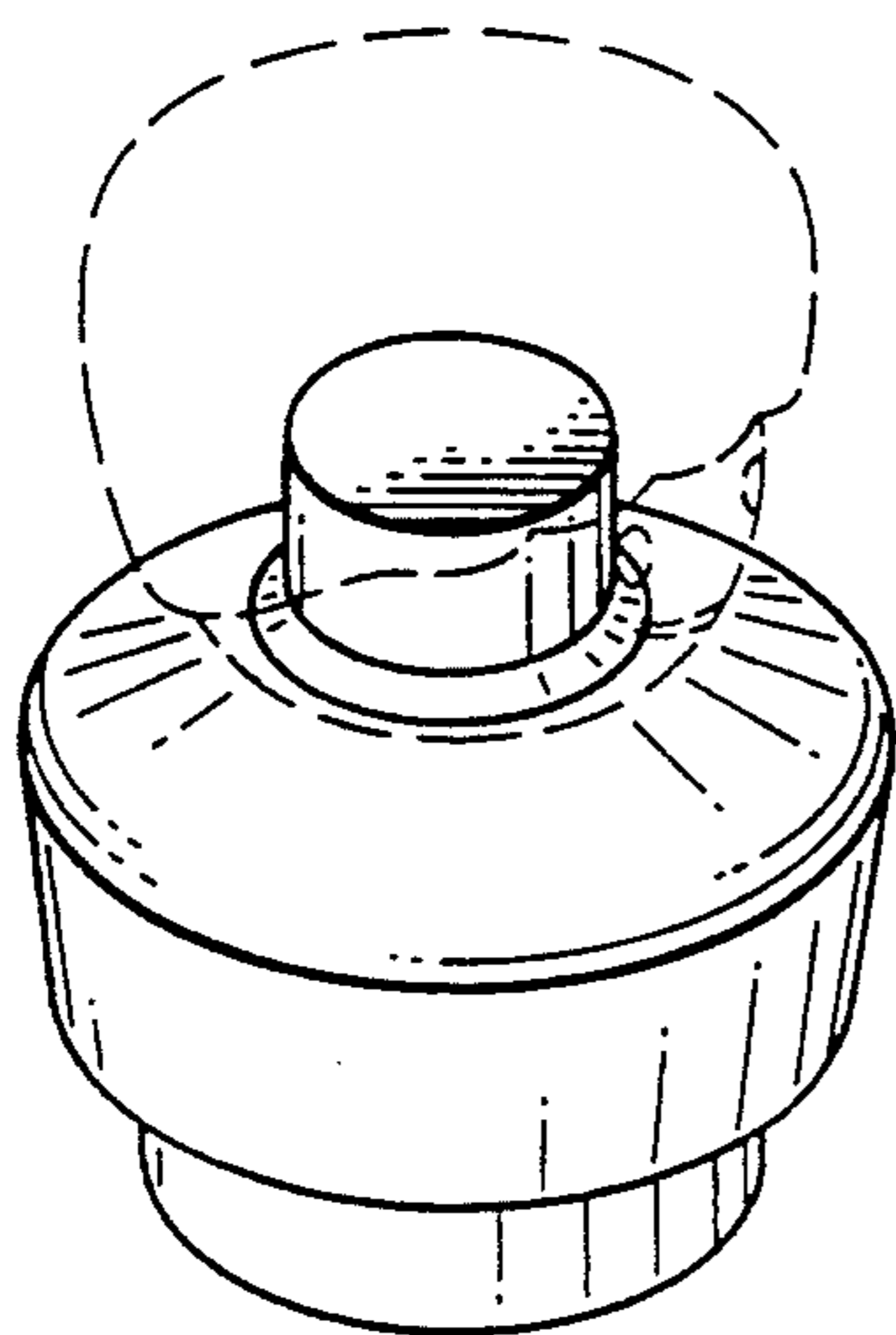


FIG. 1

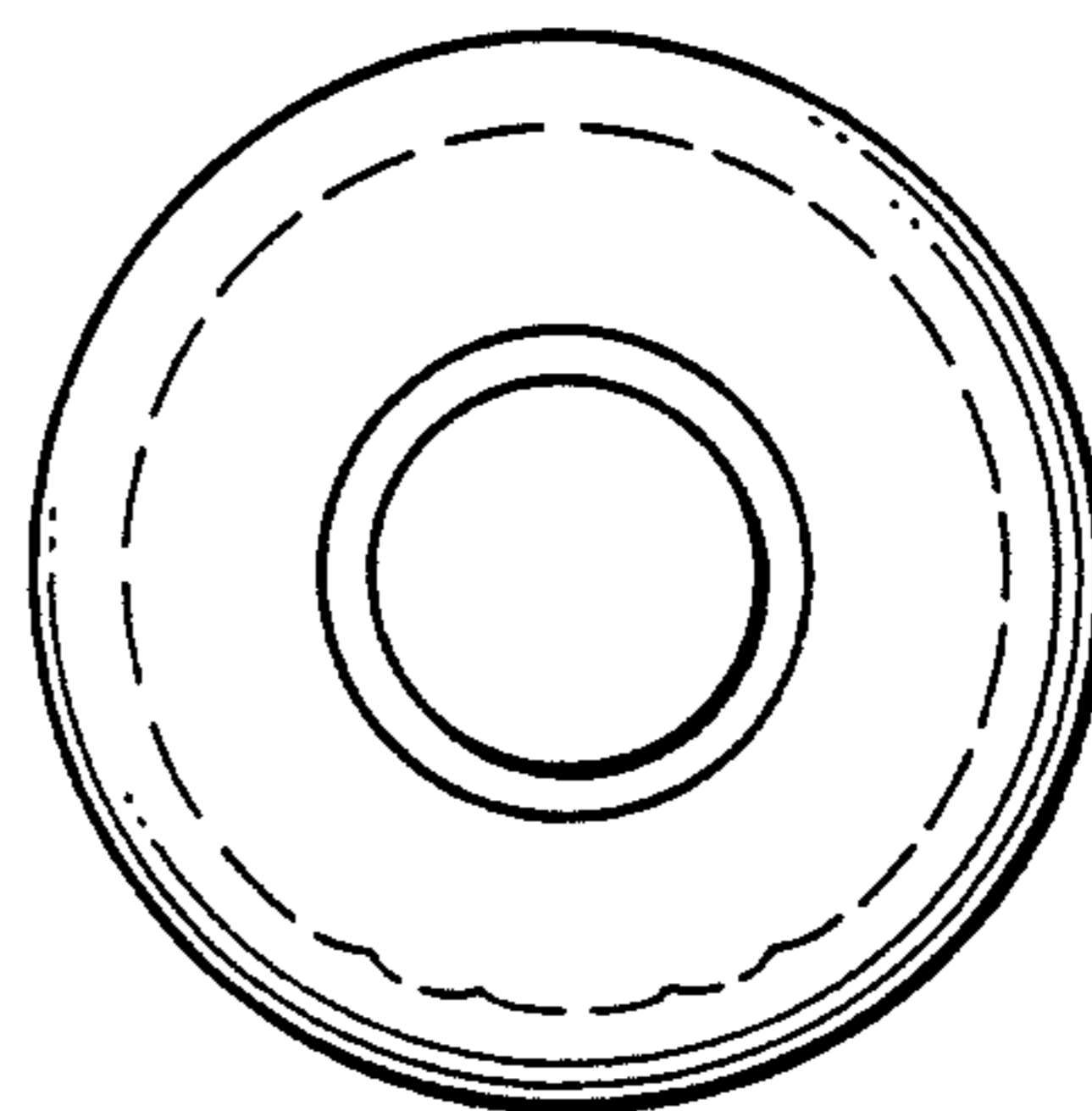


FIG. 2

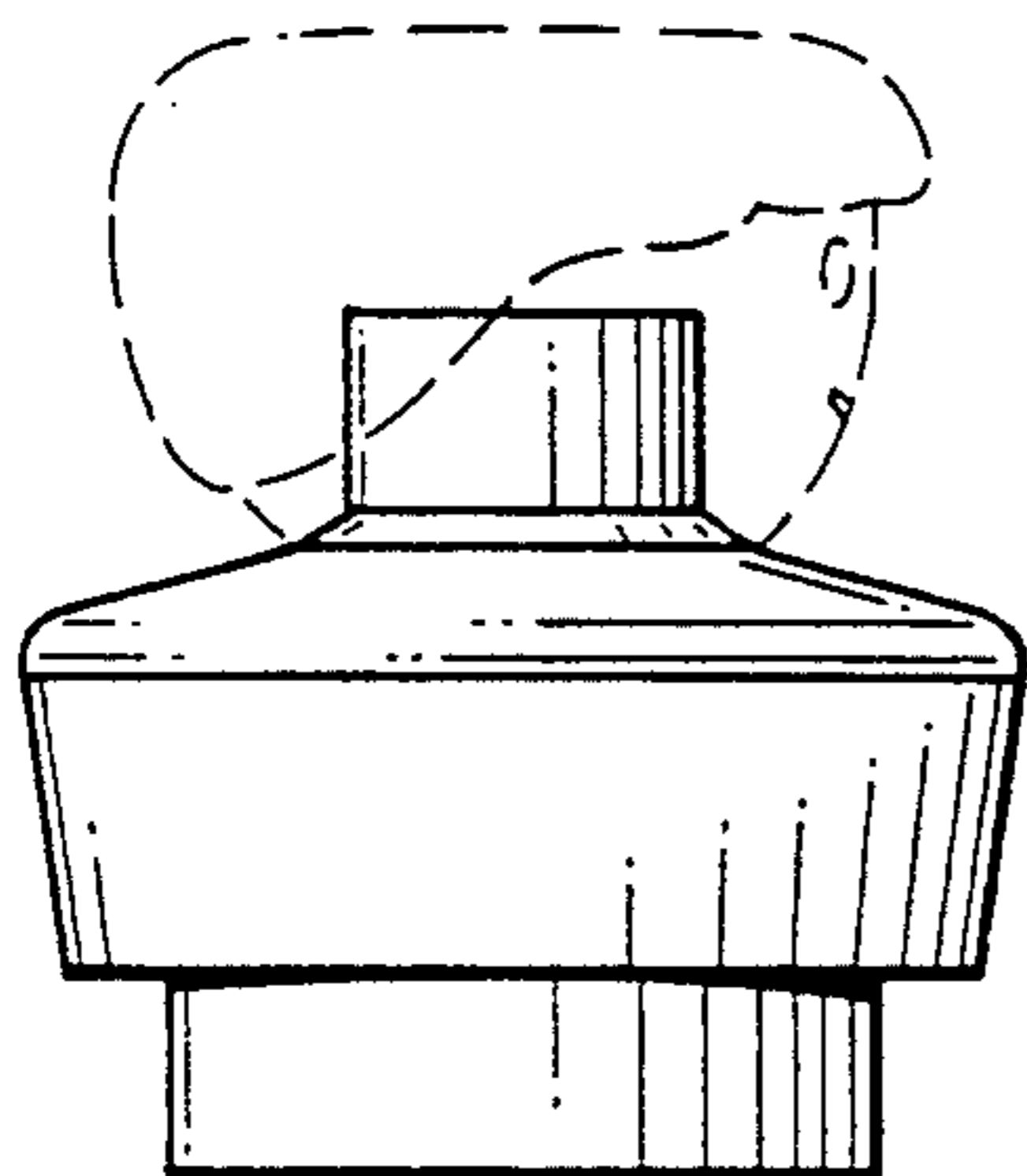


FIG. 3

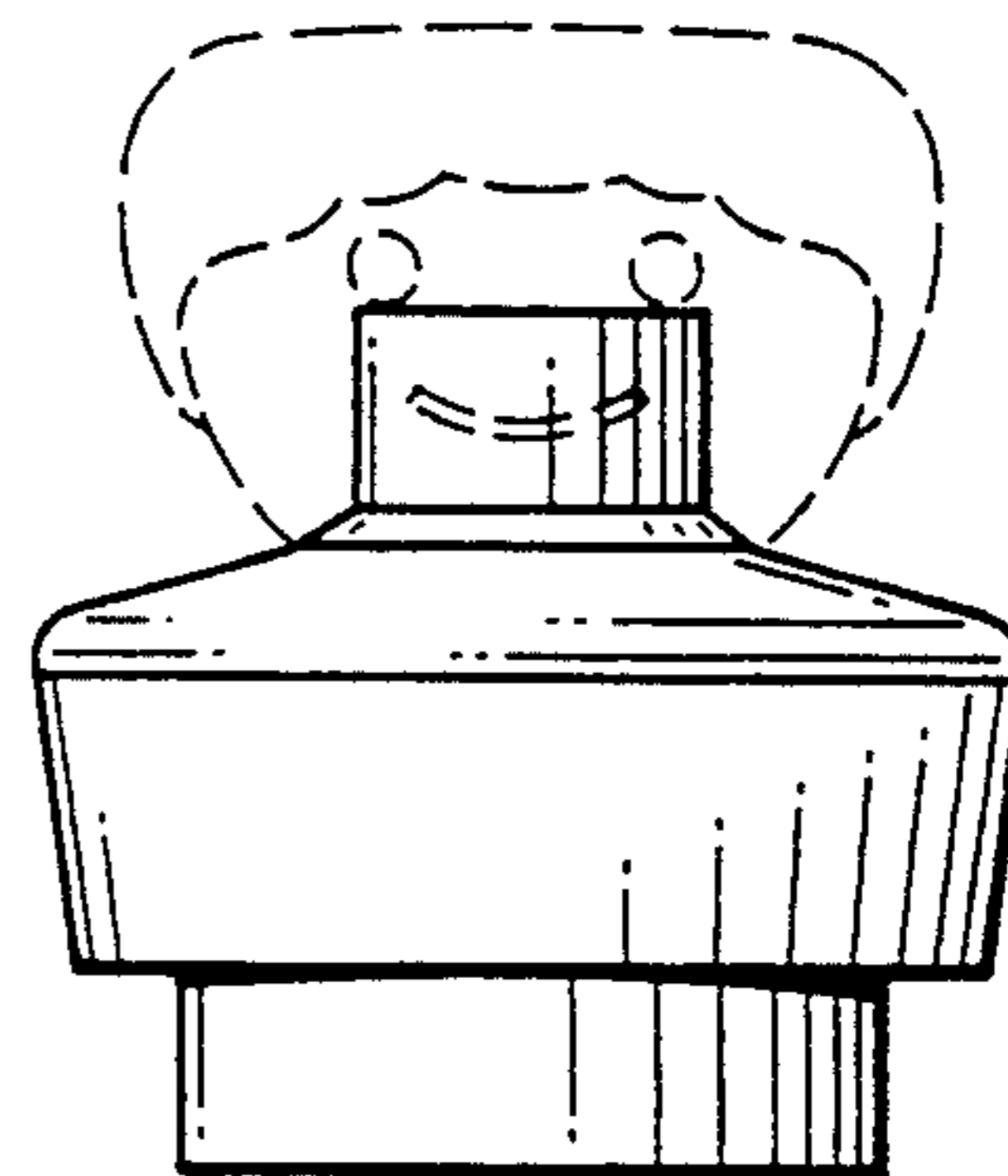


FIG. 4

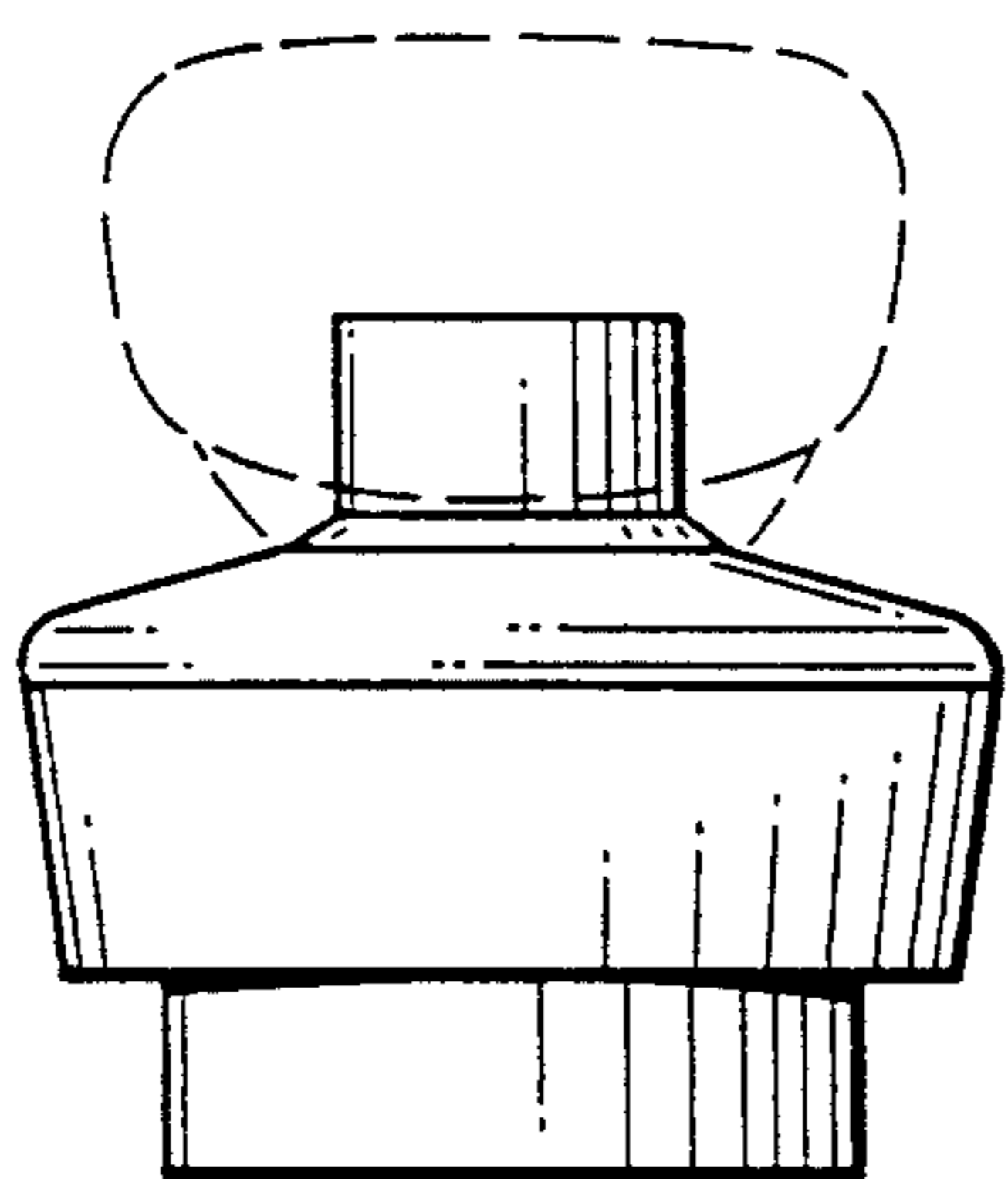


FIG. 5

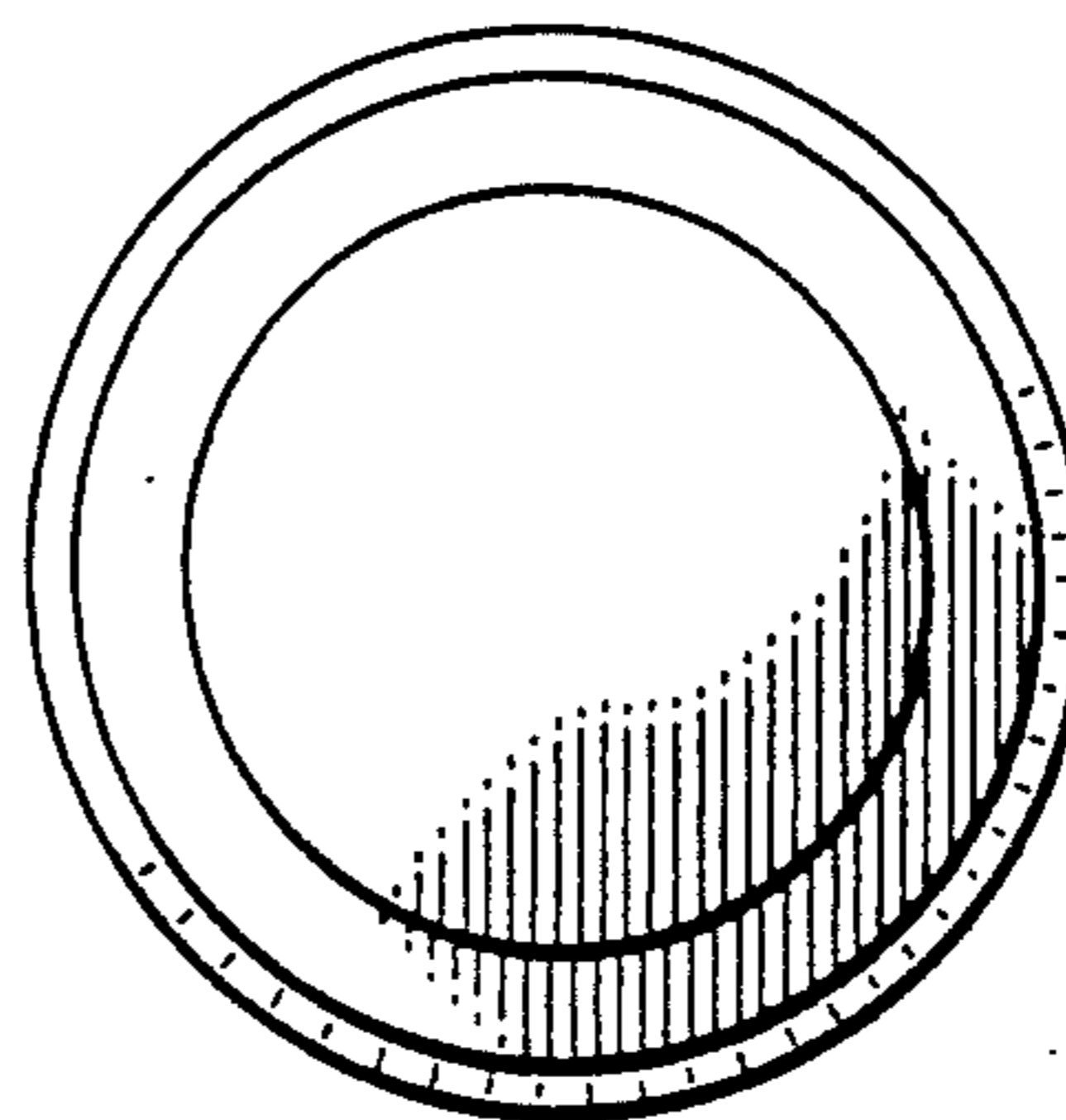


FIG. 6