



US00D340957S

United States Patent [19]

[11] Patent Number: **Des. 340,957**

D'Andrade

[45] Date of Patent: **** Nov. 2, 1993**

[54] **DOUBLE TANK PINCH TRIGGER PUMP WATER GUN**

[56] **References Cited**

[76] Inventor: **Bruce M. D'Andrade, 3 Ten Eyck Rd., Whitehouse Sta., N.J. 08889**

U.S. PATENT DOCUMENTS

D. 46,577	7/1914	Allen	D23/225
D. 197,848	3/1964	Parker	D21/146
D. 204,284	4/1966	Ryan	D21/146
D. 283,525	4/1986	Yano	D21/146
D. 318,309	7/1991	D'Andrade	D21/147

[**] Term: **14 Years**

Primary Examiner—Bernard Ansher
Assistant Examiner—R. Barkai
Attorney, Agent, or Firm—Kenneth P. Glynn

[21] Appl. No.: **772,044**

[57] CLAIM

[22] Filed: **Oct. 7, 1991**

The ornamental design for a double tank pinch trigger pump water gun, as shown and described.

Related U.S. Application Data

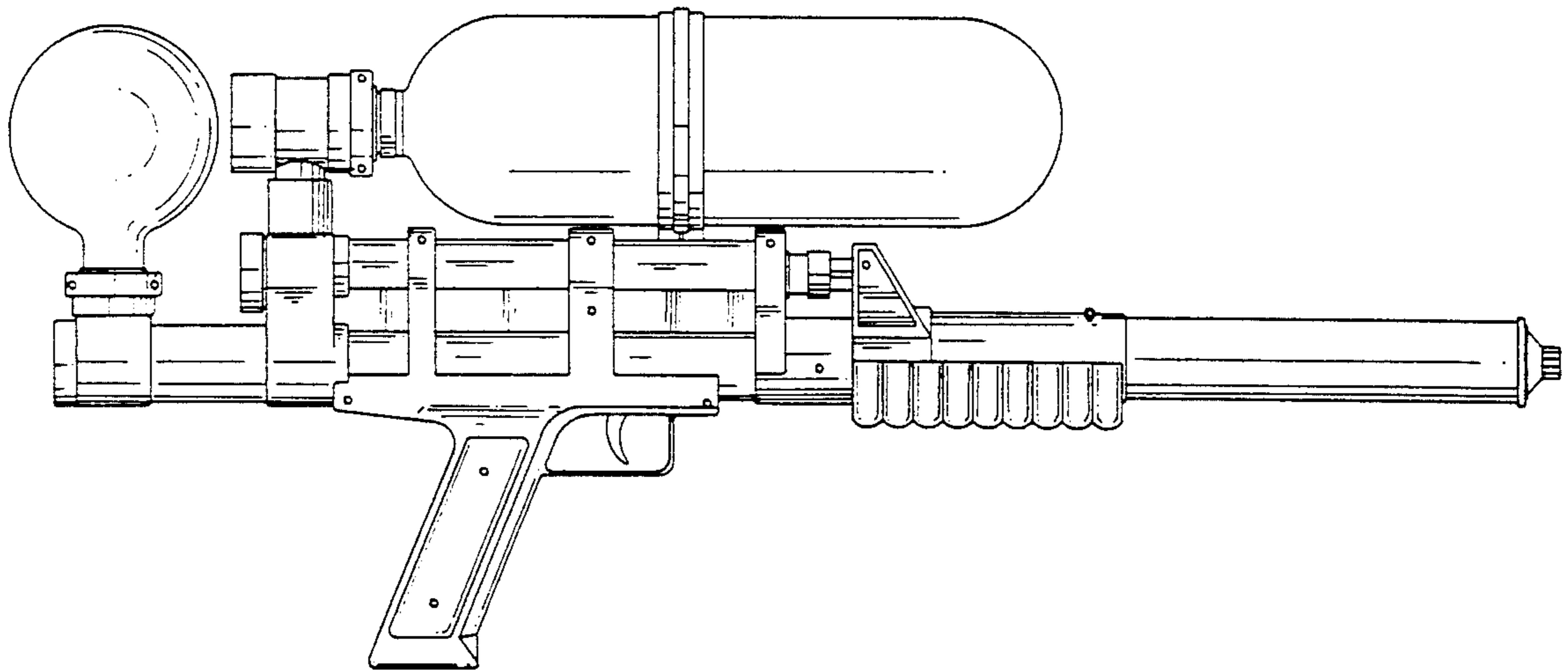
DESCRIPTION

[63] Continuation-in-part of Ser. No. 680,247, Apr. 3, 1991, abandoned, which is a continuation-in-part of Ser. No. 578,145, Sep. 6, 1990, Pat. No. 5,074,437.

FIG. 1 is a right side elevational view of a double tank pinch trigger pump water gun showing my new design; FIG. 2 is a left side elevational view thereof; FIG. 3 is a front elevational view thereof; FIG. 4 is a rear elevational view thereof; FIG. 5 is a top plane view thereof; and, FIG. 6 is a bottom plane view thereof.

[52] U.S. Cl. **D21/146**

[58] Field of Search D21/146, 147, 165; D23/225; 446/267, 473; 222/78, 79; 239/211, 337, 329, 373



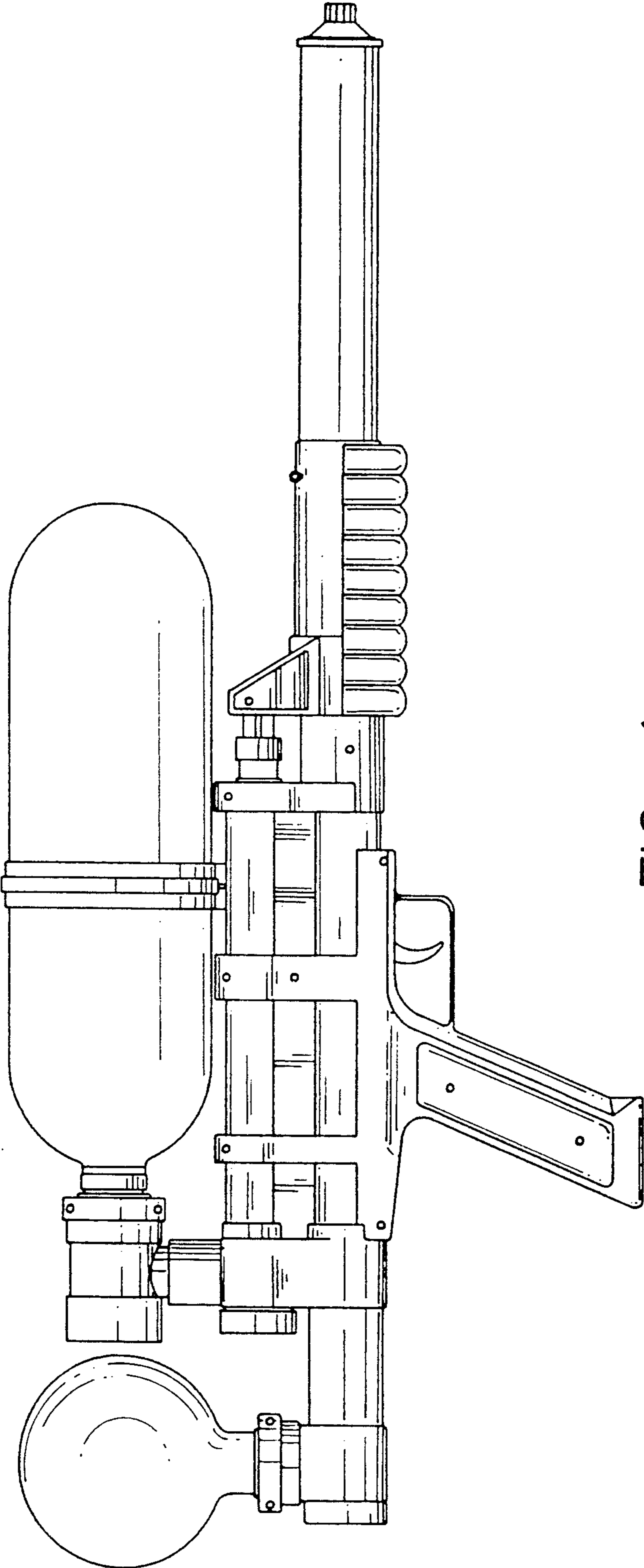


FIG. 1

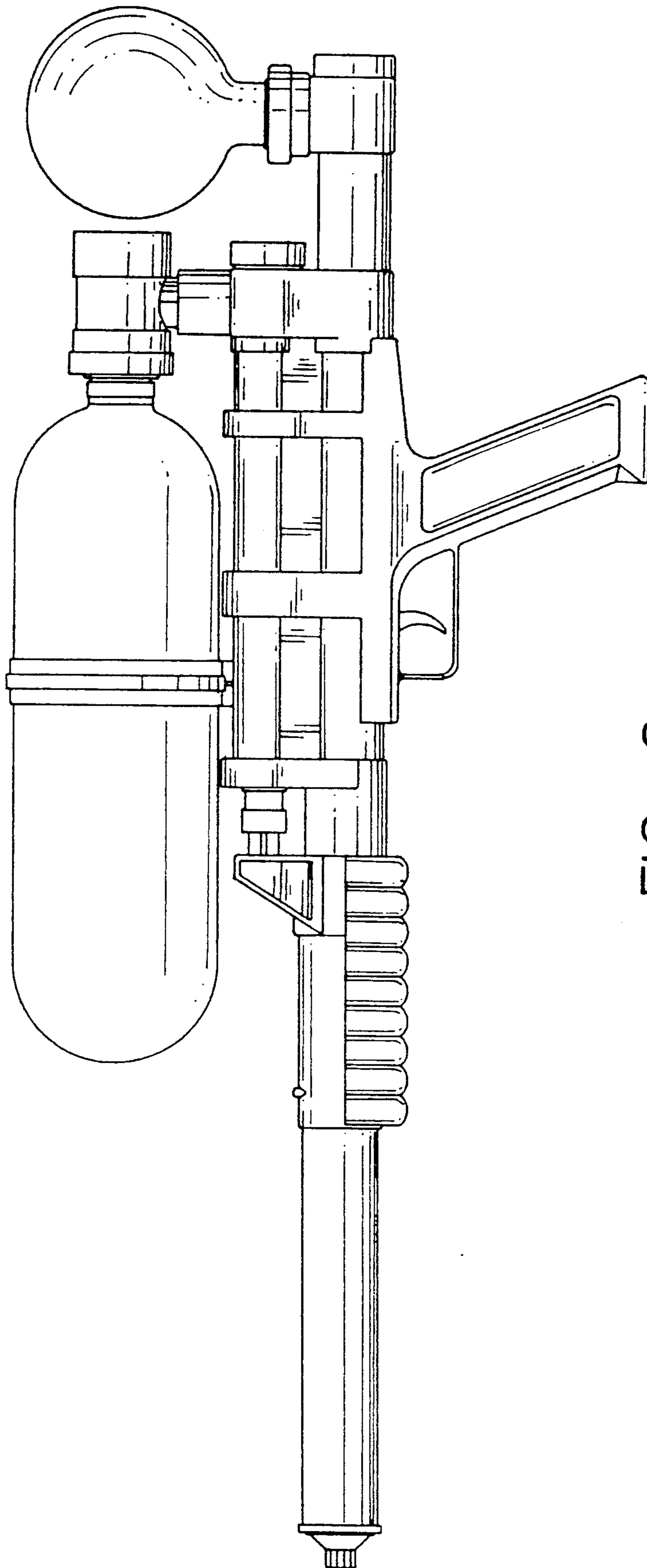


FIG. 2

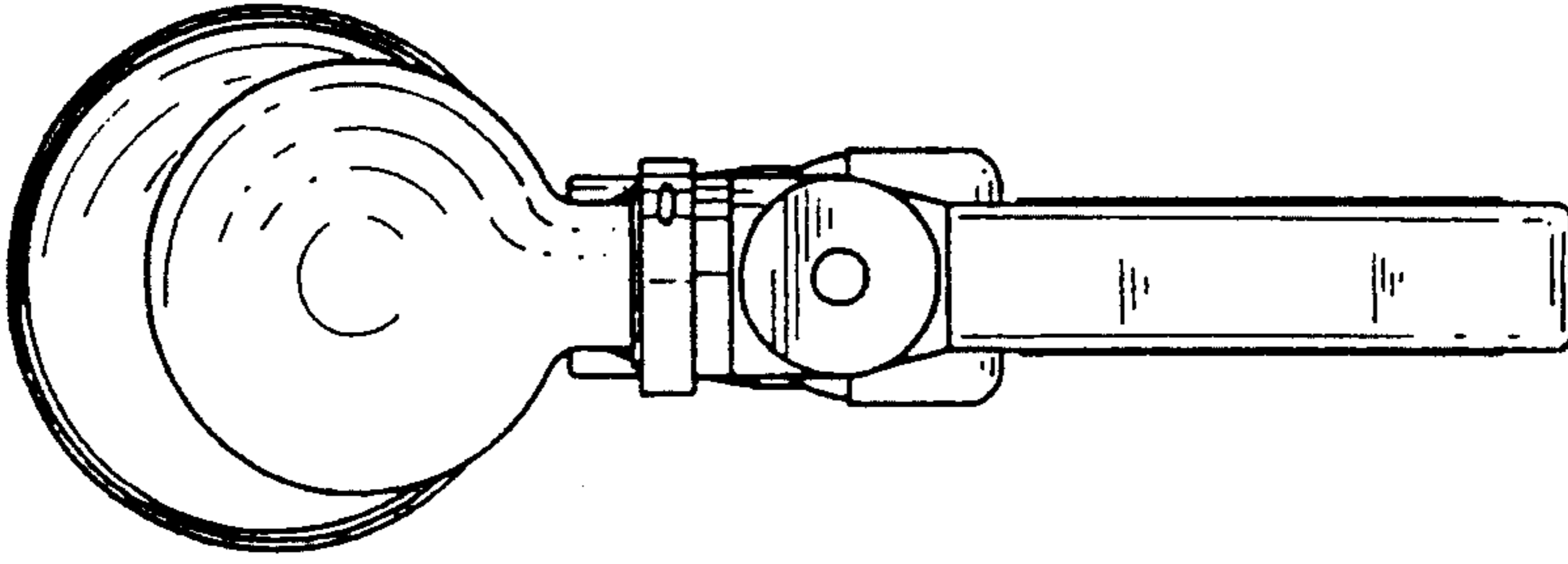


FIG. 4

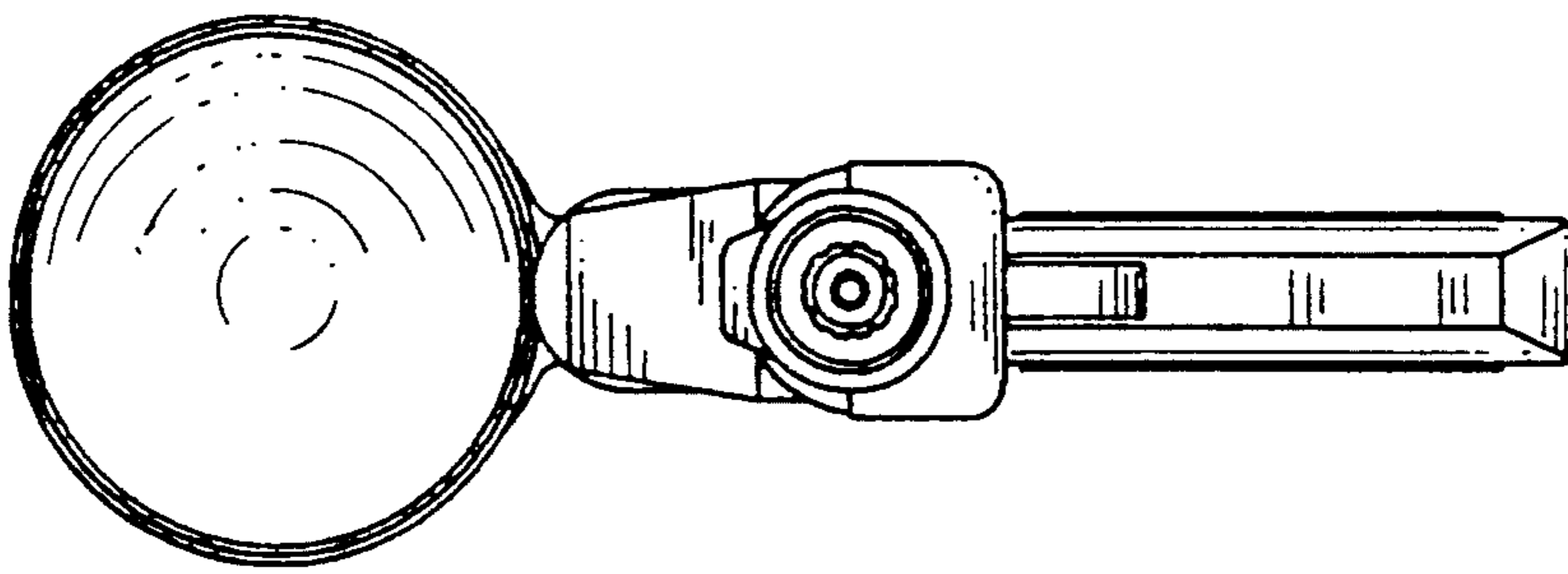


FIG. 3

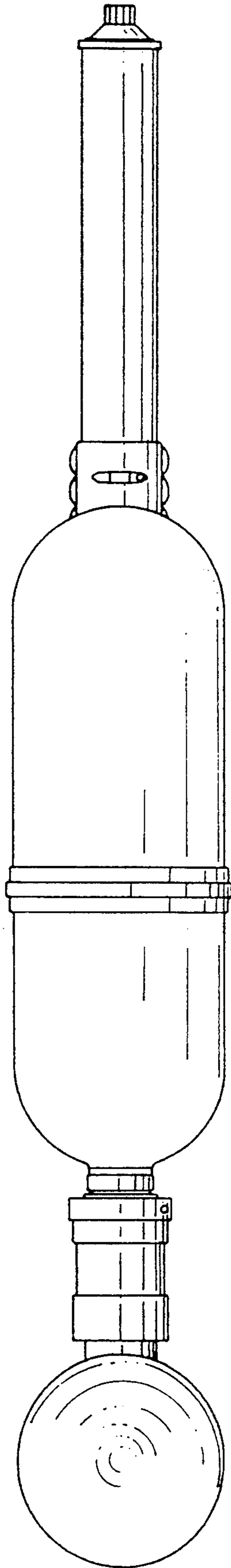


FIG. 5

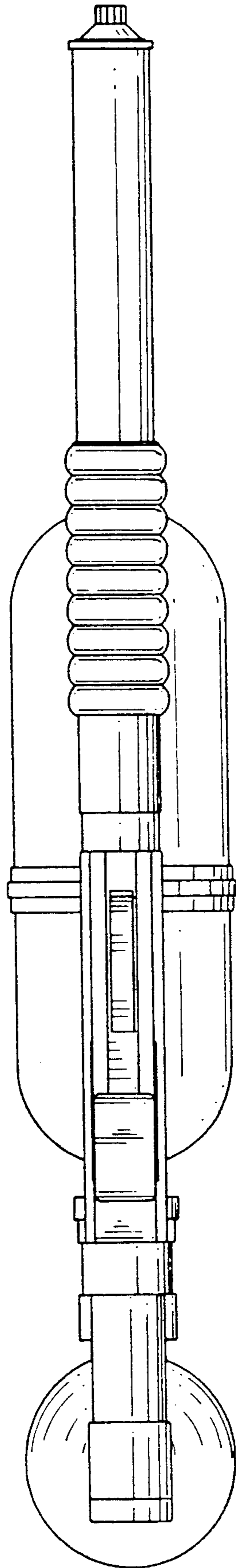


FIG. 6