



US00D340951S

United States Patent [19]

[11] Patent Number: **Des. 340,951**

Howrilka et al.

[45] Date of Patent: **** Nov. 2, 1993**

[54] **SLOTTED MARBLE GAME WITH SLIDING TOP STORAGE AREA**

[76] Inventors: **Sharon K. Howrilka, Tamara H. Ross**, both of 635 Pine St., Lewisville, Tex. 75057

1,561,934	11/1925	Kennedy .	
2,009,256	7/1935	Gensmer .	
3,310,313	3/1967	Colson .	
4,026,556	5/1977	Taylor et al. .	
4,076,248	2/1978	Gouler et al.	273/123 R
4,146,227	3/1979	Kuna	273/123 R
4,220,332	9/1980	Mendez	273/118 R

[**] Term: **14 Years**

[21] Appl. No.: **659,913**

[22] Filed: **Feb. 25, 1991**

[52] U.S. Cl. **D21/7**

[58] Field of Search **D21/14-36, D21/1, 7-9; 273/236-285, 118 R, 123 R**

Primary Examiner—Bernard Ansher
Assistant Examiner—Sandra Morris
Attorney, Agent, or Firm—S. Pal Asija

[57] CLAIM

The ornamental design for a slotted marble game with sliding top storage area, as shown and described.

[56] References Cited

U.S. PATENT DOCUMENTS

D. 90,462	8/1933	Tolman et al.	D21/7
D. 240,750	7/1976	Breslow	D21/8
480,725	8/1892	Hill .	
746,993	12/1903	Roat, Jr. .	
821,476	5/1906	Enos .	
931,020	8/1909	Slocum .	
1,223,256	4/1917	Coffman	D21/7
1,331,741	2/1920	Birkenhead .	
1,534,522	4/1925	Halliday	D21/7
1,549,038	8/1925	Wilson	D21/8

DESCRIPTION

FIG. 1 is a top front perspective view of the slotted marble game with sliding top storage area, showing our new design, shown in the extended position, the broken line showing of the indicia is for illustrative purposes only, and forms no part of the claimed design;

FIG. 2 is a front elevation view thereof;

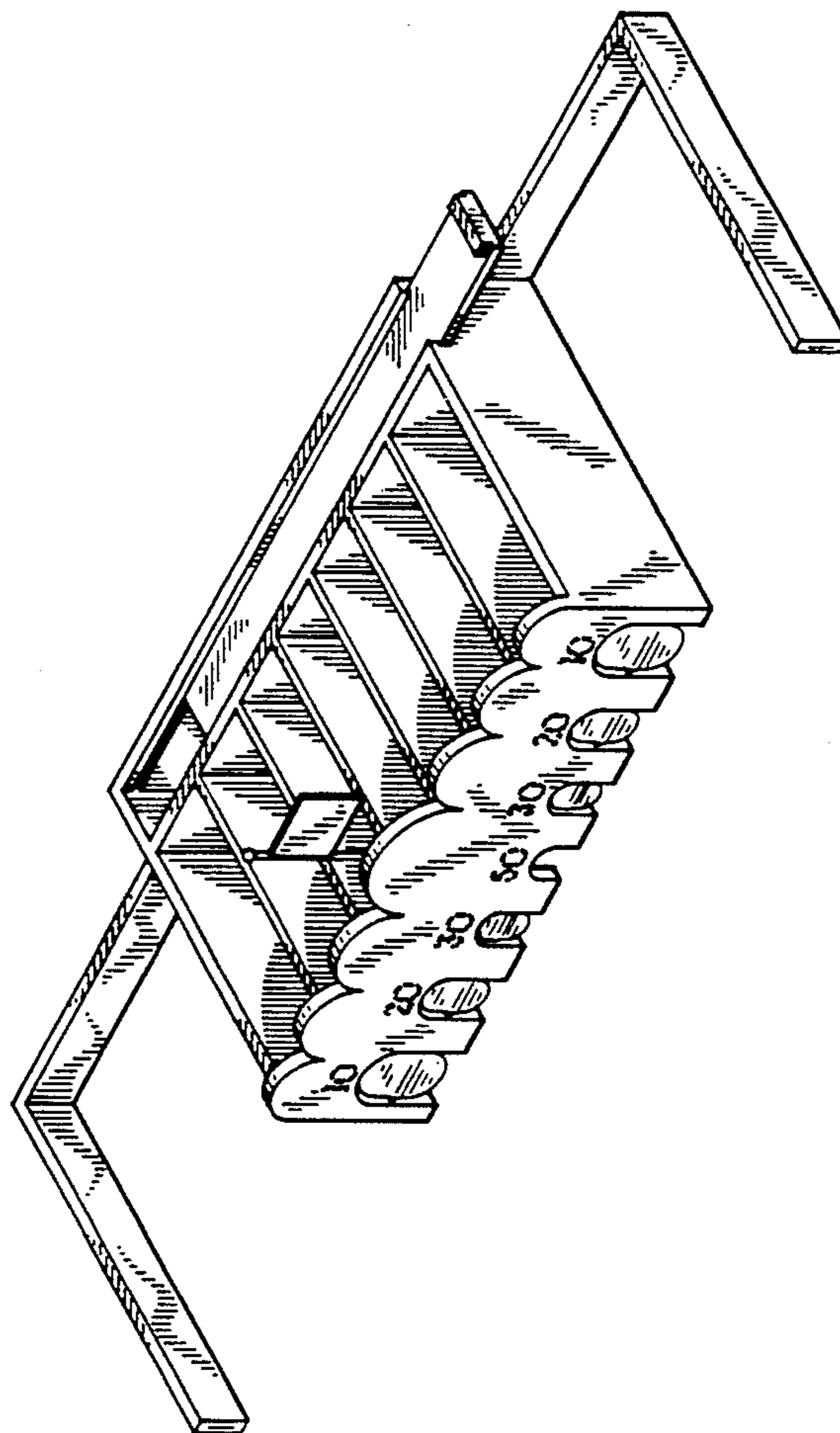
FIG. 3 is a rear elevation view thereof;

FIG. 4 is a right side elevation view thereof;

FIG. 5 is a left side elevation view thereof;

FIG. 6 is a top plan view thereof; and,

FIG. 7 is a bottom plan view thereof.



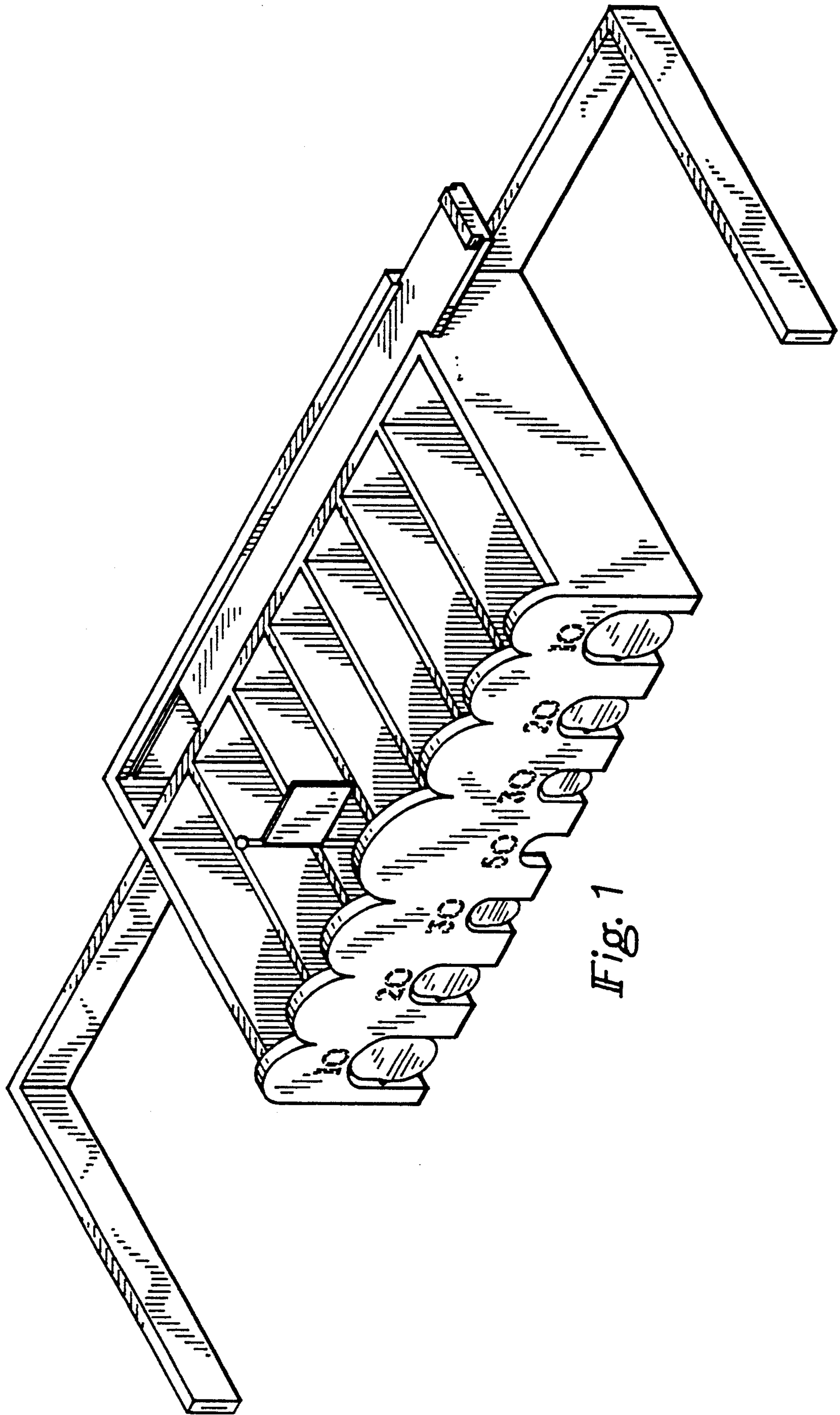


Fig. 1

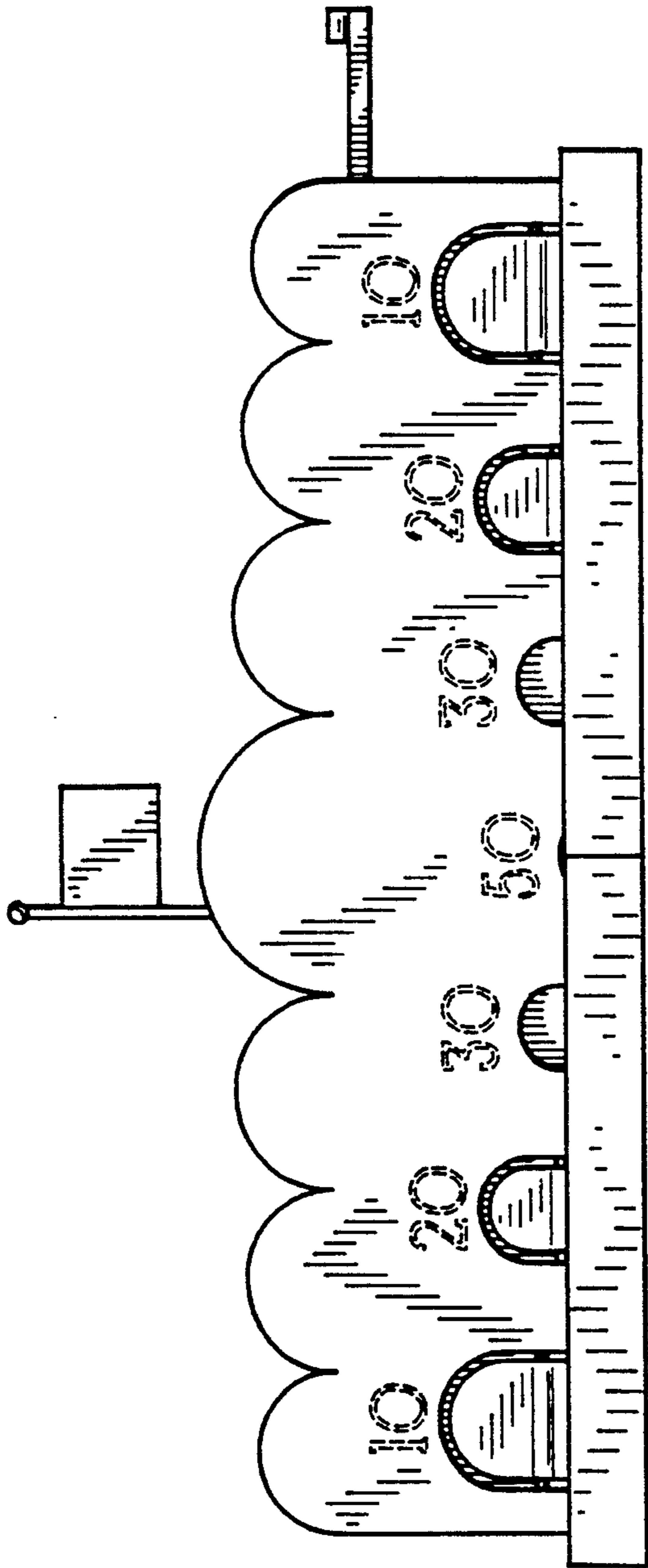


Fig. 2

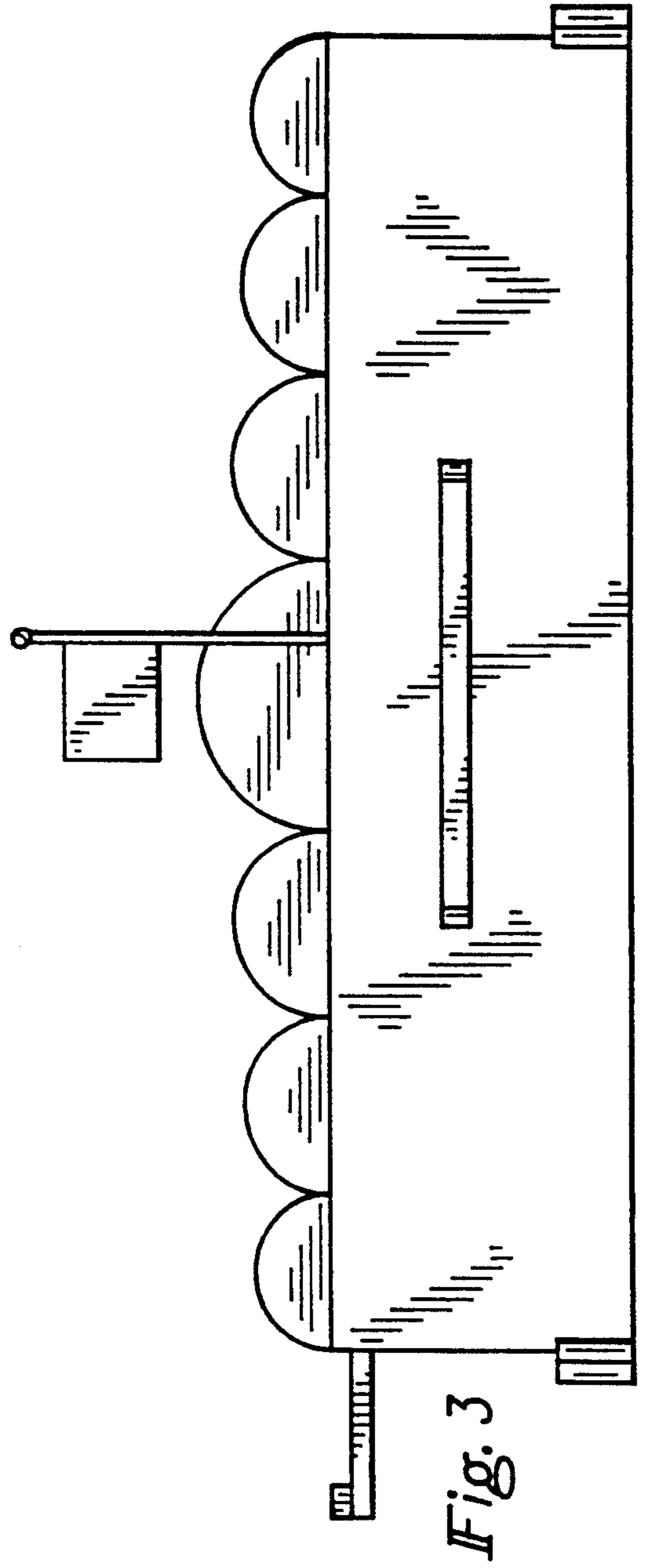


Fig. 3

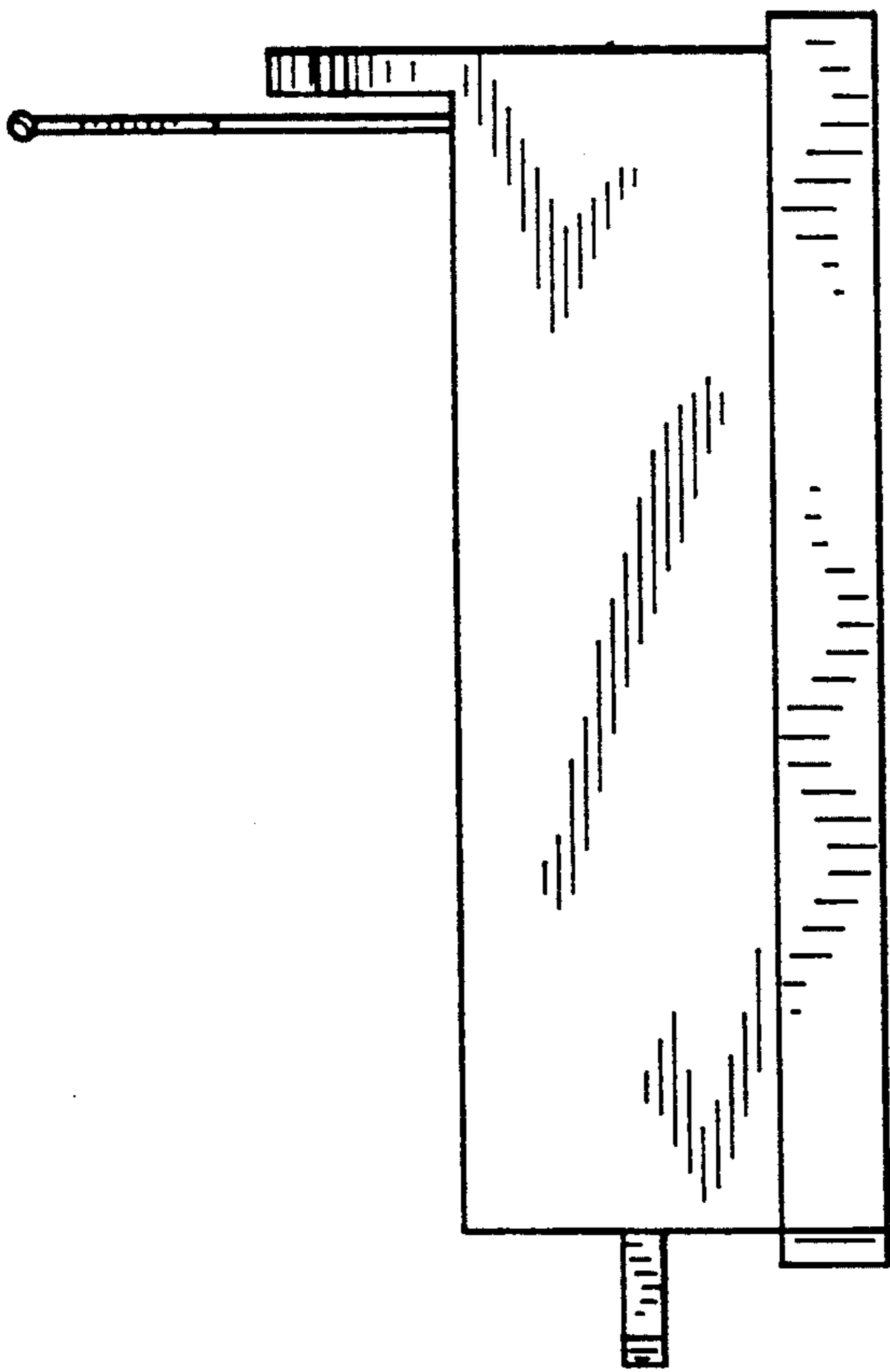


Fig. 4

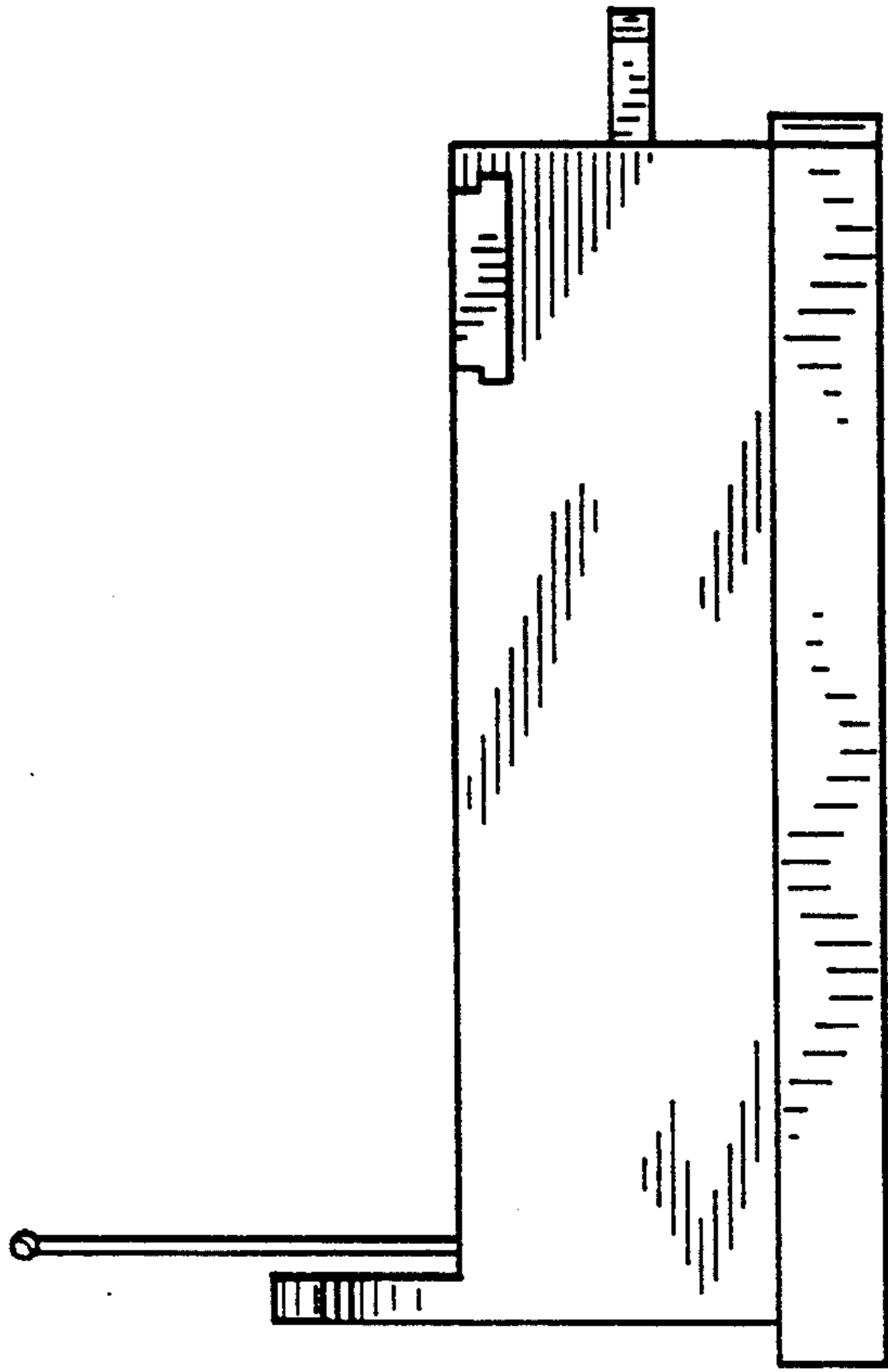


Fig. 5

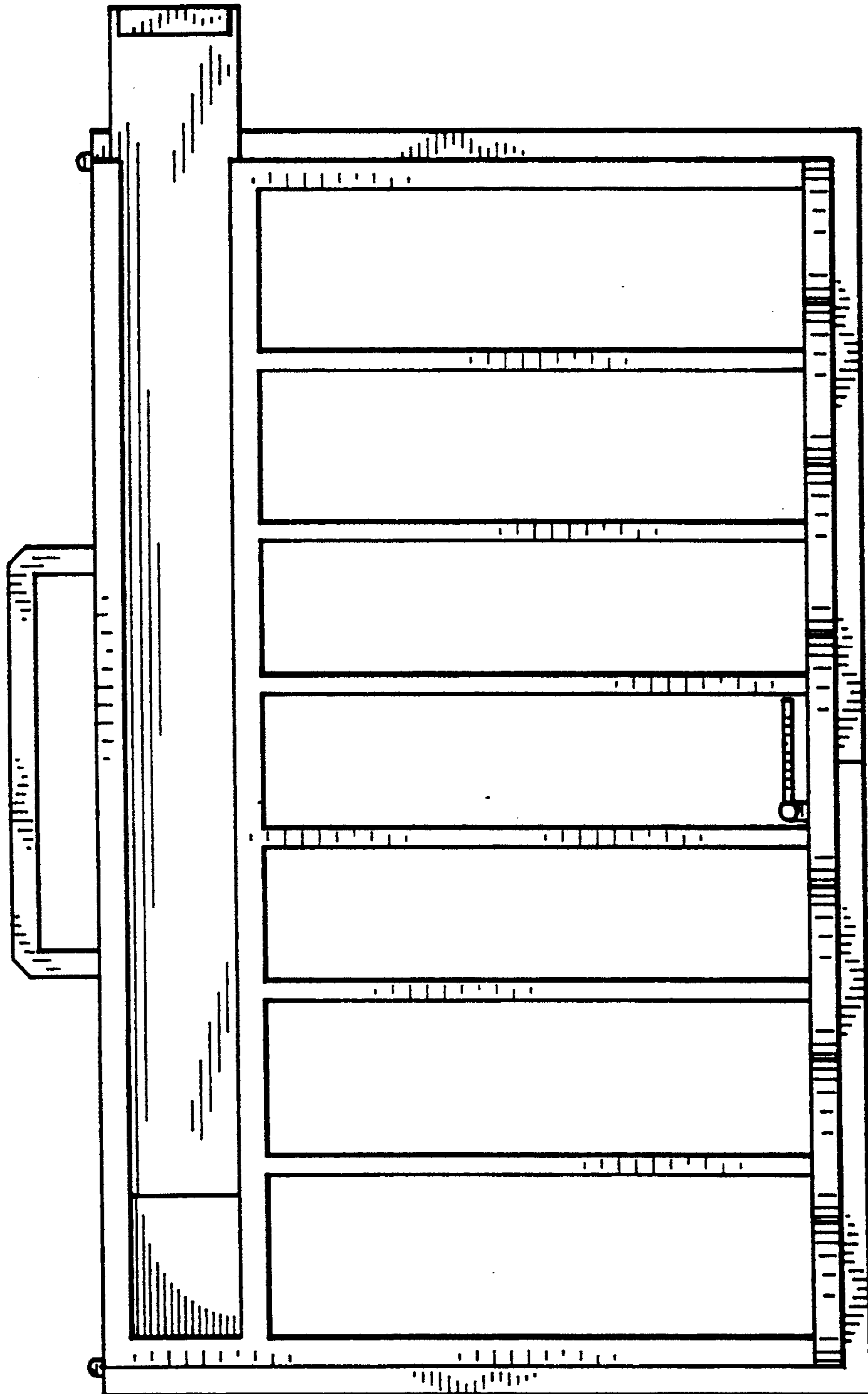


Fig. 6

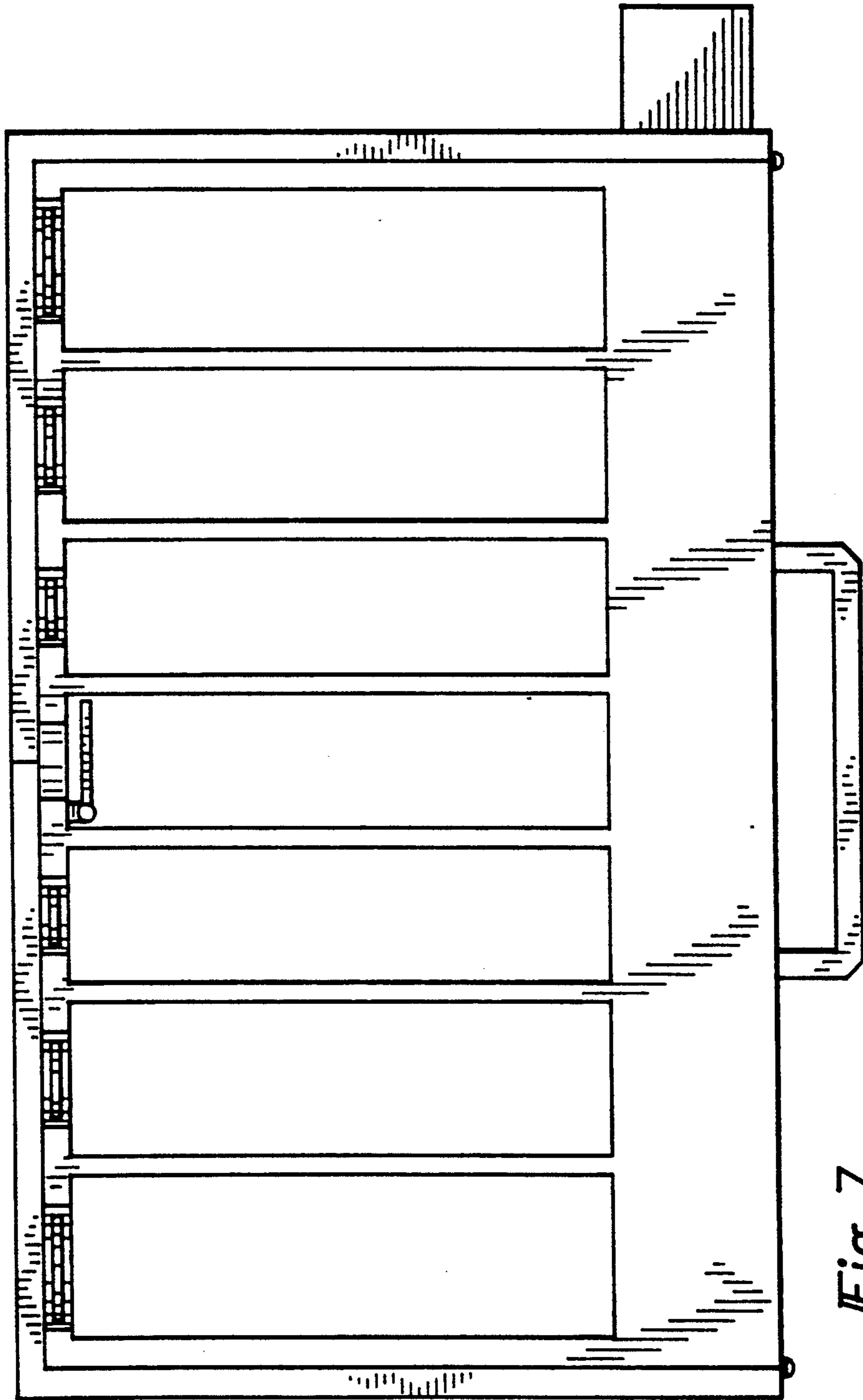


Fig. 7