



US00D340942S

# United States Patent [19]

[11] Patent Number: **Des. 340,942**

Smith

[45] Date of Patent: **\*\* Nov. 2, 1993**

[54] **RADIAL MUSICAL INSTRUMENT STAND SPACER**

[56] **References Cited**

### U.S. PATENT DOCUMENTS

[75] Inventor: **Gary Smith, 256 W. 5th Ave.,  
Collegeville, Pa. 19426**

D. 31,899	11/1899	Brown	.....	D23/411
D. 155,357	9/1949	O'Rourke	.....	D13/179
D. 217,052	3/1970	Jones	.....	D15/5
D. 225,553	12/1972	Moore	.....	D15/29
D. 239,118	3/1976	Branson	.....	D13/179
3,002,266	10/1961	Lynn et al.	.....	416/223 R

[73] Assignees: **Mobile Music, Inc., Horsham; Gary Smith, Collegeville; Joseph Stefano, Oreland, all of Pa. ; a part interest**

*Primary Examiner*—Melvin B. Feifer  
*Assistant Examiner*—Adir Aronovich  
*Attorney, Agent, or Firm*—Sperry, Zoda & Kane

[\*\*] Term: **14 Years**

[57] **CLAIM**

[21] Appl. No.: **836,467**

The ornamental design for a radial musical instrument stand spacer, as shown and described.

[22] Filed: **Feb. 14, 1992**

### DESCRIPTION

[52] U.S. Cl. .... **D17/99; D15/29**

[58] Field of Search ..... **D12/214; D13/179; D15/2, 5, 29; D17/10, 13, 99; D23/411, 413; 84/327, 384, 385 A, 387 A, 453; 206/314; 416/223 R**

FIG. 1 is a perspective view embodying my new design; FIG. 2 is a top plan view; FIG. 3 is a bottom plan view; and, FIG. 4 is a front elevational view thereof.

The broken lines are shown for illustrative purposes only and form no part of the claimed design.

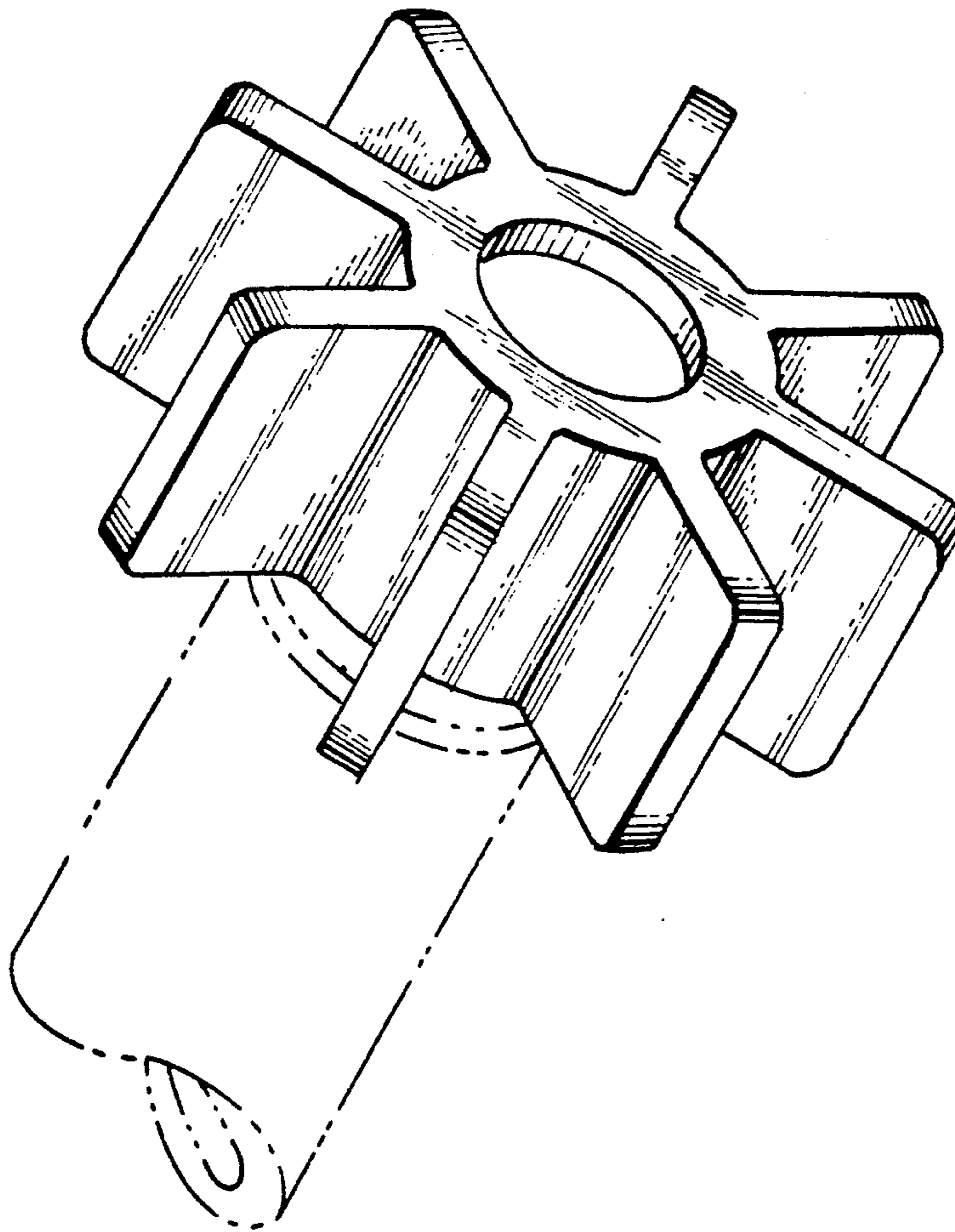


FIG. 1

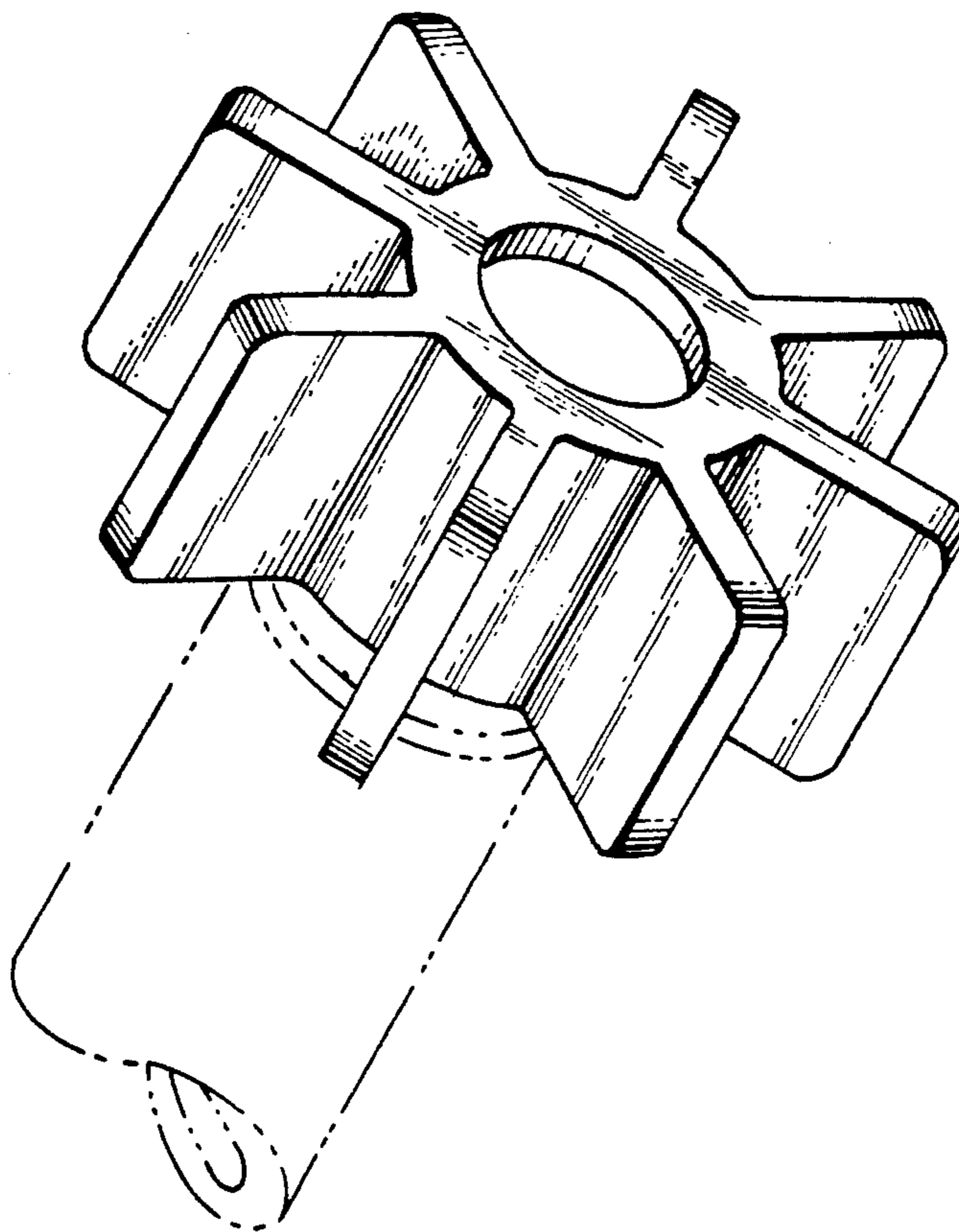


FIG. 2

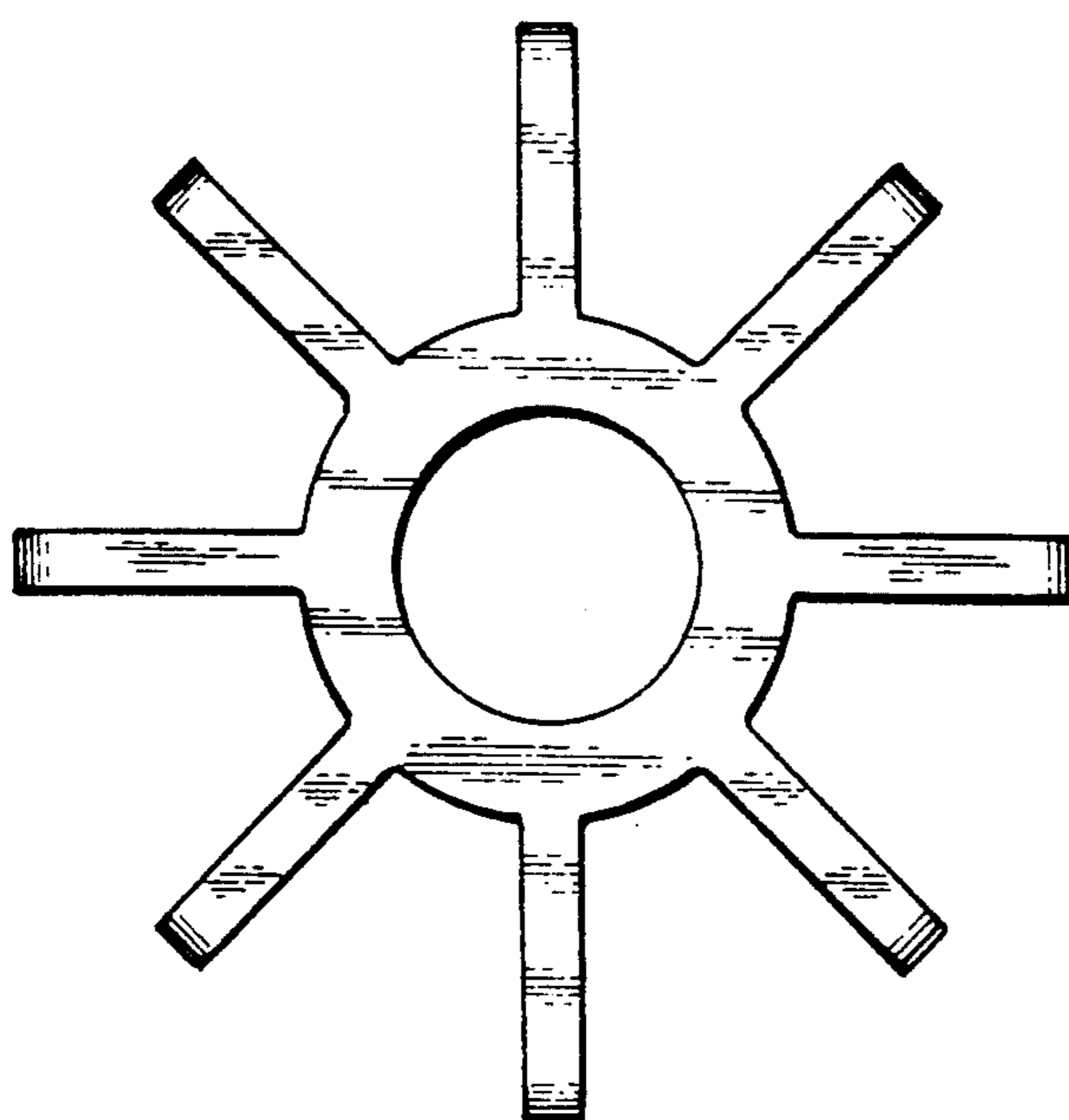


FIG. 3

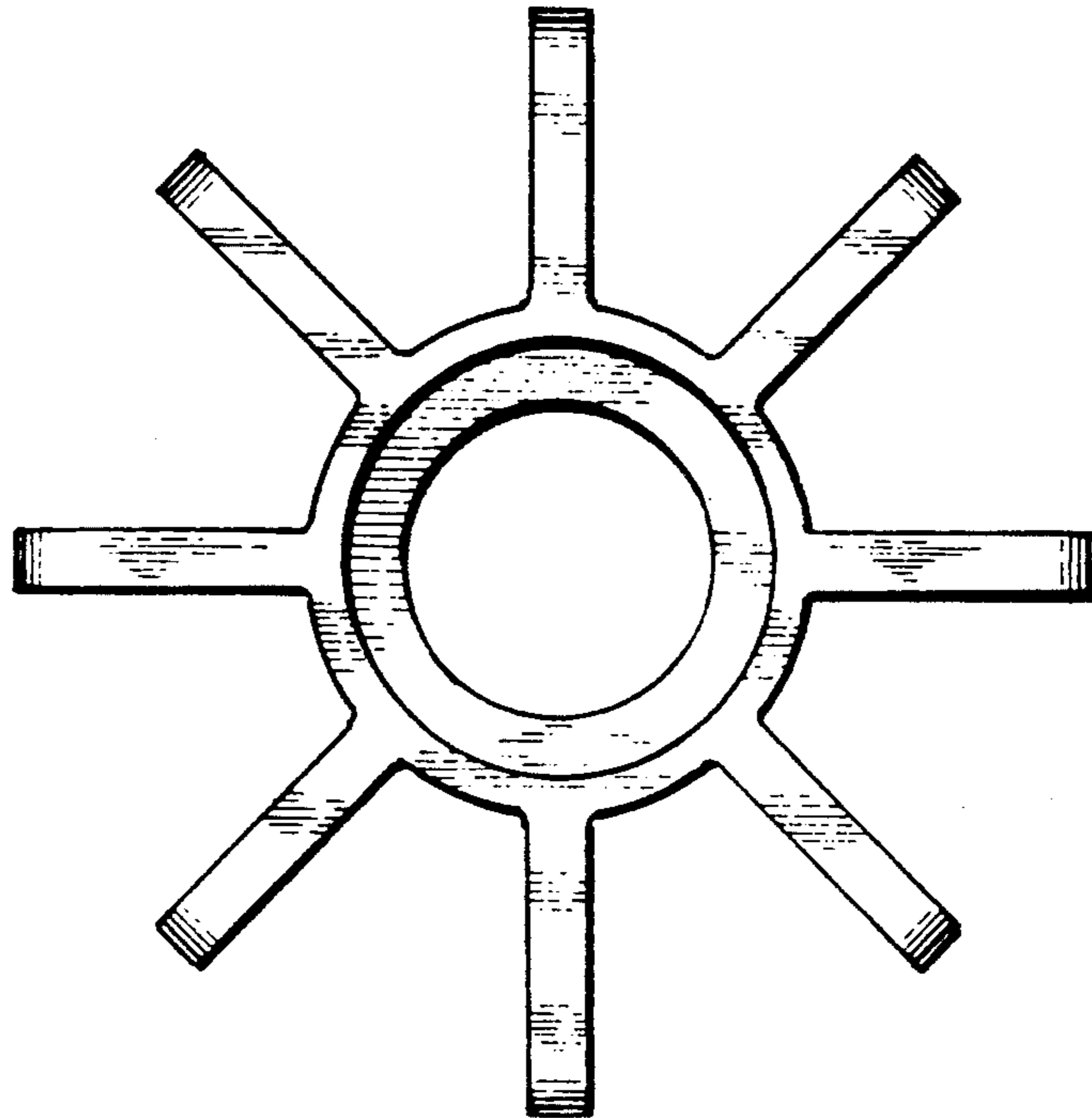


FIG. 4

