



US00D340940S

United States Patent [19]

[11] Patent Number: **Des. 340,940**

Ellenberger et al.

[45] Date of Patent: **** Nov. 2, 1993**

[54] **COMBINED CAMERA MOUNT AND CAMERA HOUSING**

- D. 219,888 2/1971 Schulze-Bahr D16/202
- D. 241,739 10/1976 Farey et al. D16/202
- D. 273,012 3/1984 Kozloski D16/203
- D. 307,915 5/1990 Kuester, III D16/203

[75] Inventors: **John C. Ellenberger, Clovis; William S. Arbuckle; William F. Kuester, III, both of Fresno, all of Calif.**

*Primary Examiner—Bernard Ansher
Assistant Examiner—Mitchell Siegel
Attorney, Agent, or Firm—Worrel & Worrel*

[73] Assignee: **Pelco, Clovis, Calif.**

[**] Term: **14 Years**

[57] **CLAIM**

[21] Appl. No.: **786,928**

The ornamental design for a combined camera mount and camera housing, as shown and described.

[22] Filed: **Nov. 1, 1991**

DESCRIPTION

[52] U.S. Cl. **D16/242; D16/203**

[58] Field of Search **D16/200-204, D16/237, 239, 240, 242; 354/288, 293; 358/229, 906**

FIG. 1 is a front perspective view of the combined camera mount and camera housing showing our new design;

FIG. 2 is a right side elevational view thereof;

FIG. 3 is a left side elevational view thereof;

FIG. 4 is a top plan view thereof;

FIG. 5 is a bottom plan view thereof;

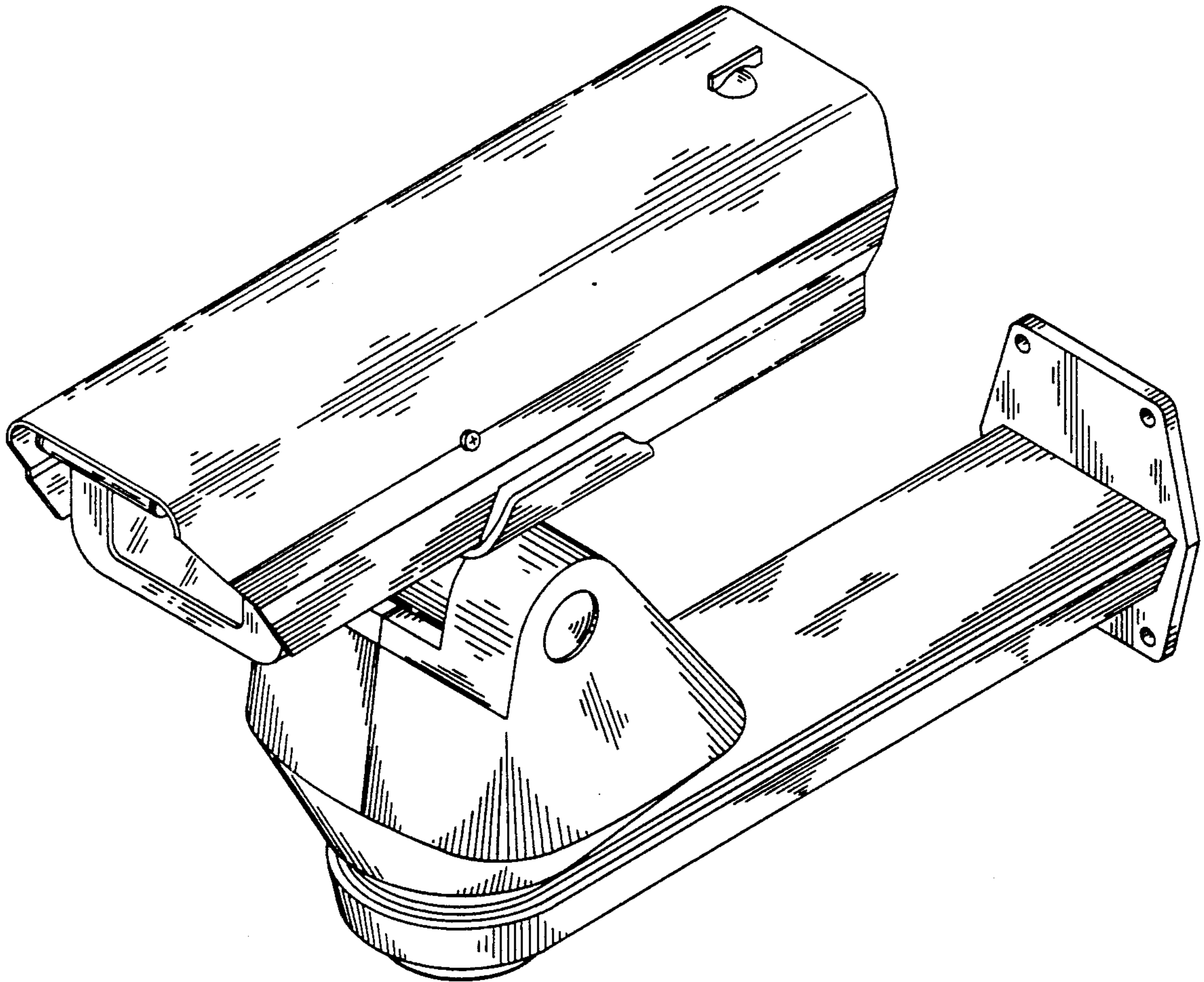
FIG. 6 is a front elevational view thereof; and,

FIG. 7 is a rear elevational view thereof.

[56] **References Cited**

U.S. PATENT DOCUMENTS

- D. 195,378 6/1963 Monson D16/240
- D. 212,650 11/1968 Leman D16/202



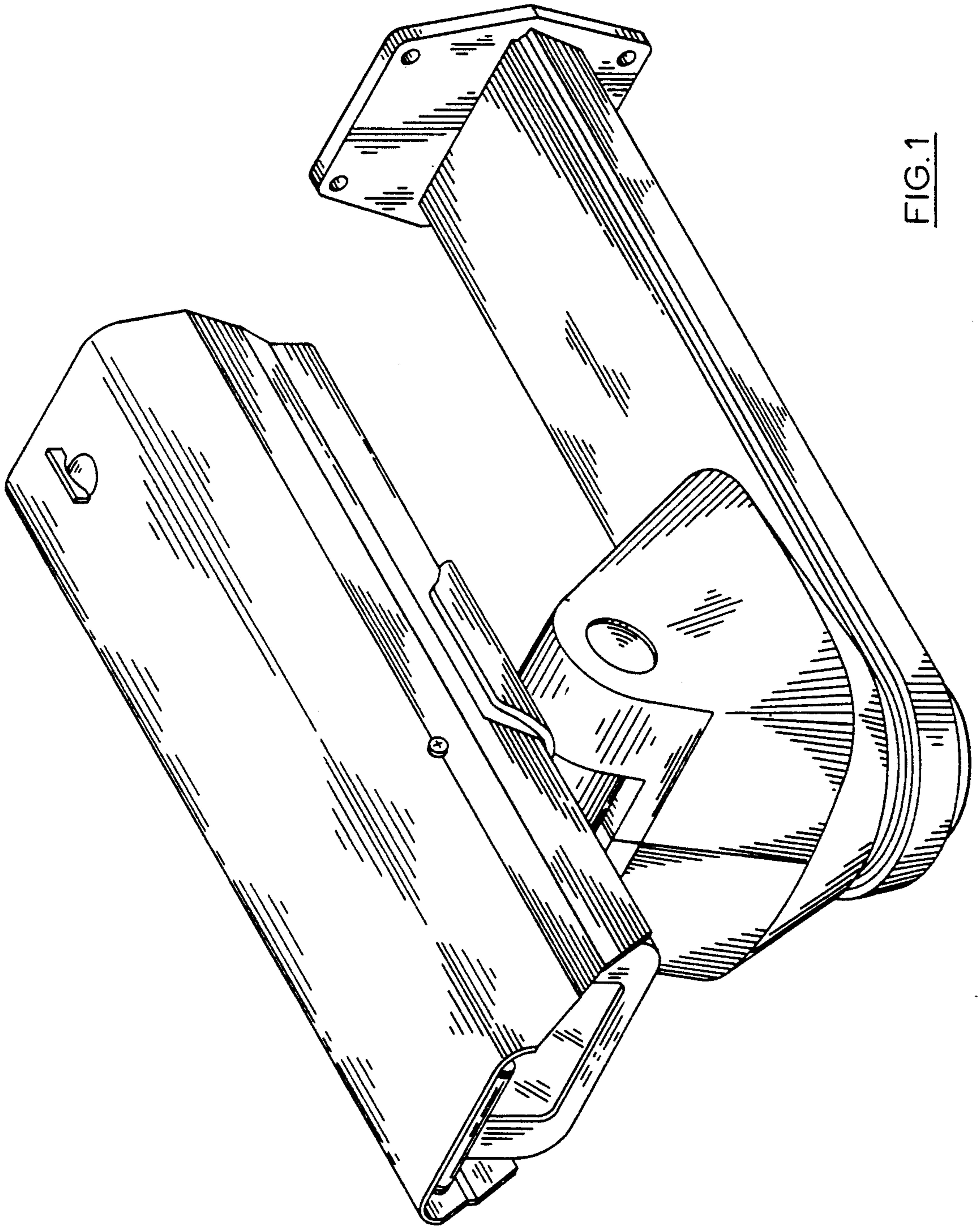


FIG. 1

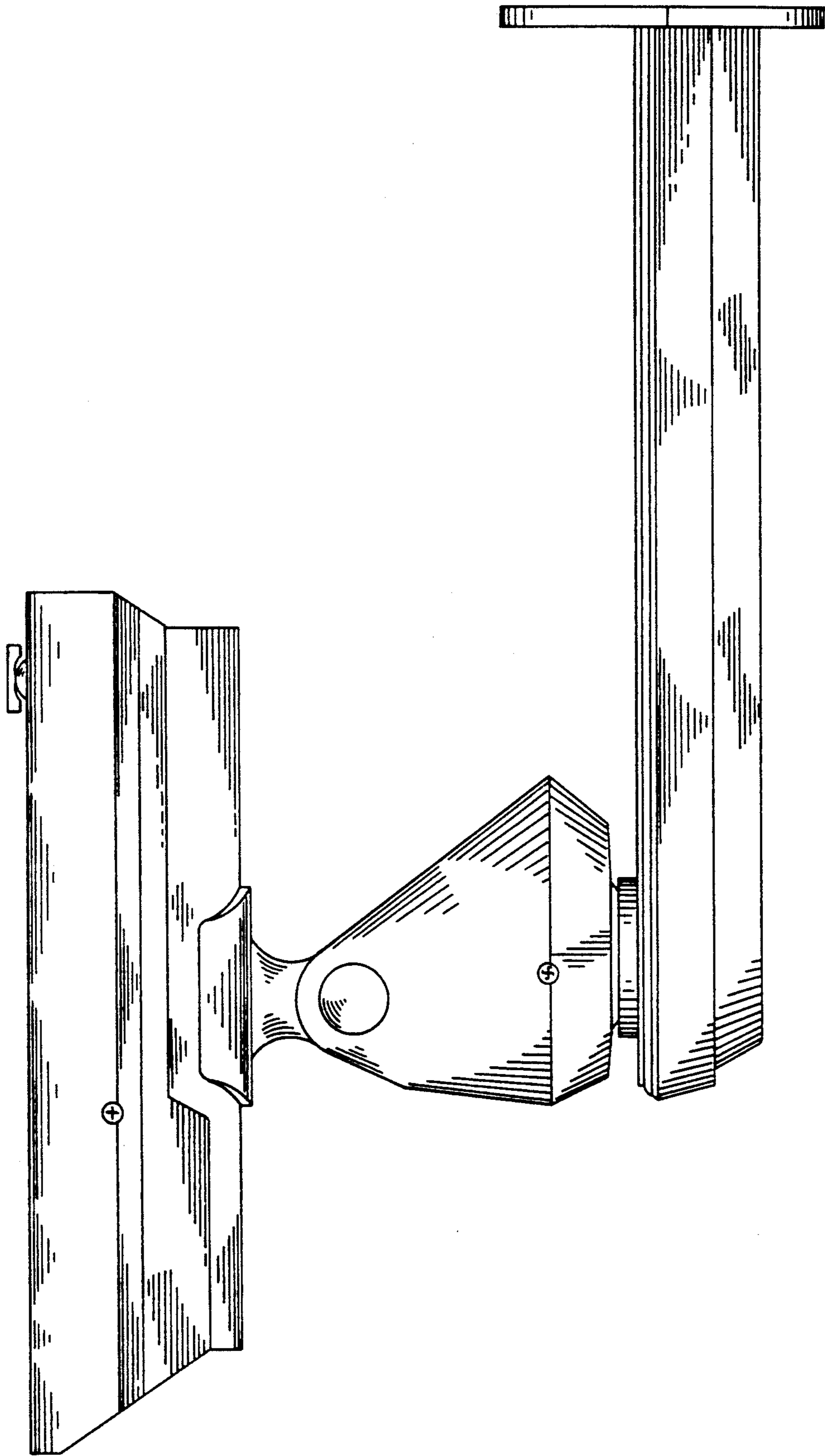


FIG. 2

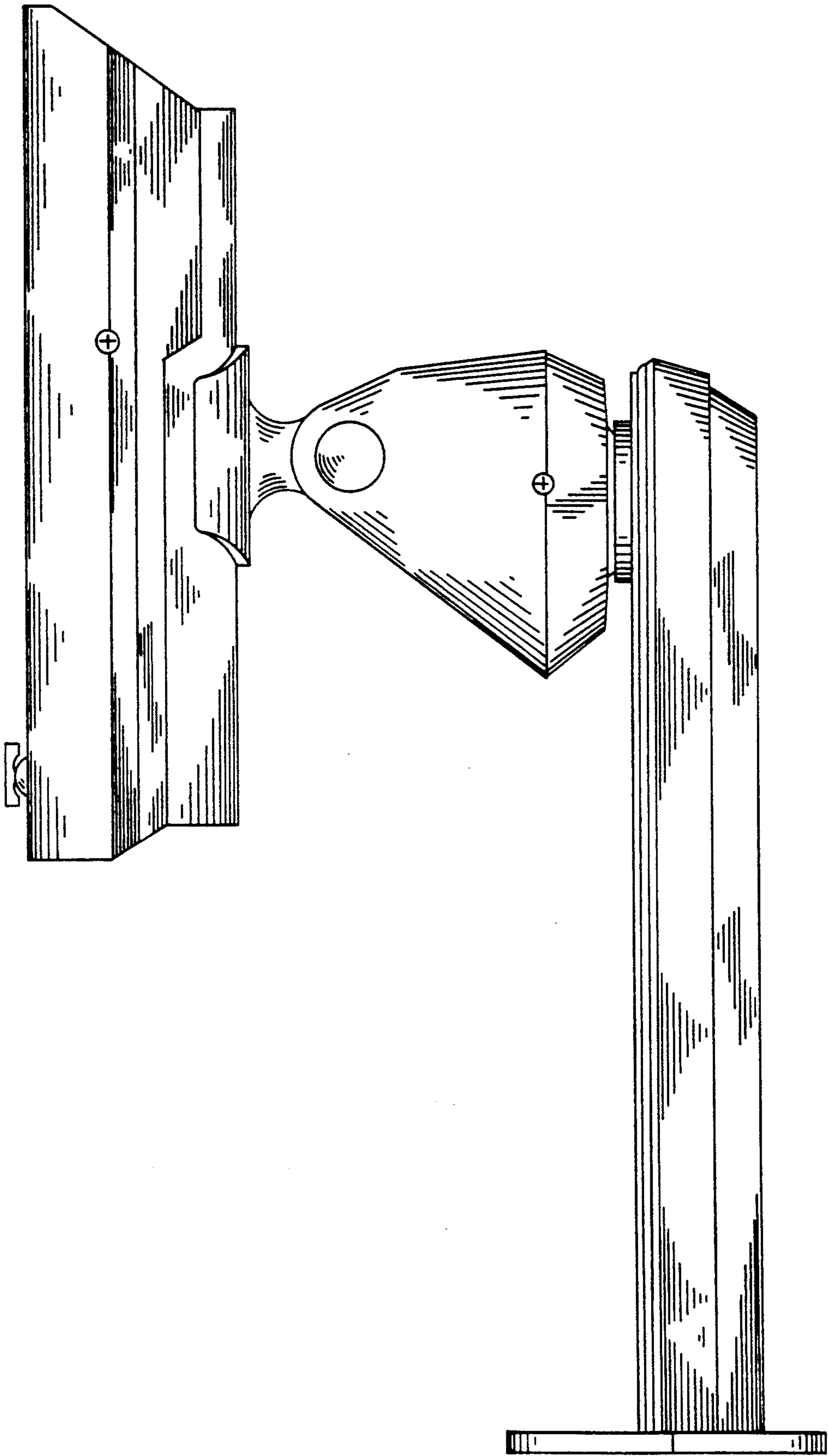


FIG. 3

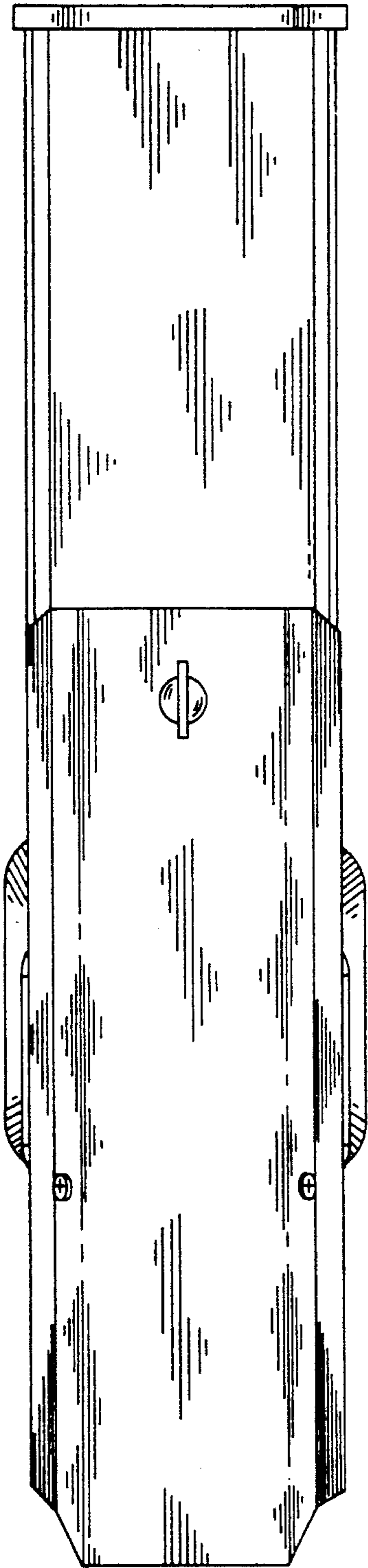


FIG. 4

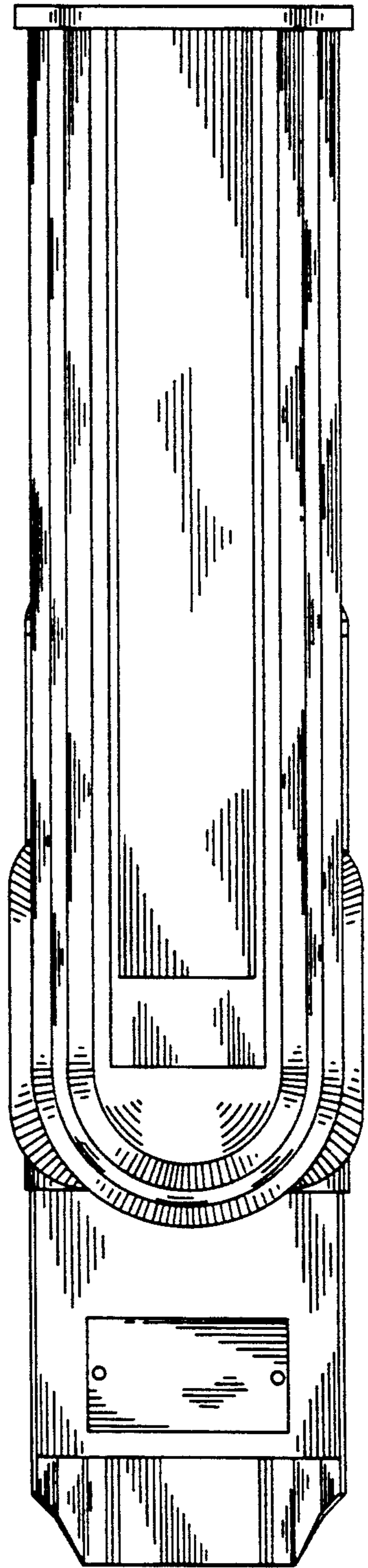


FIG. 5

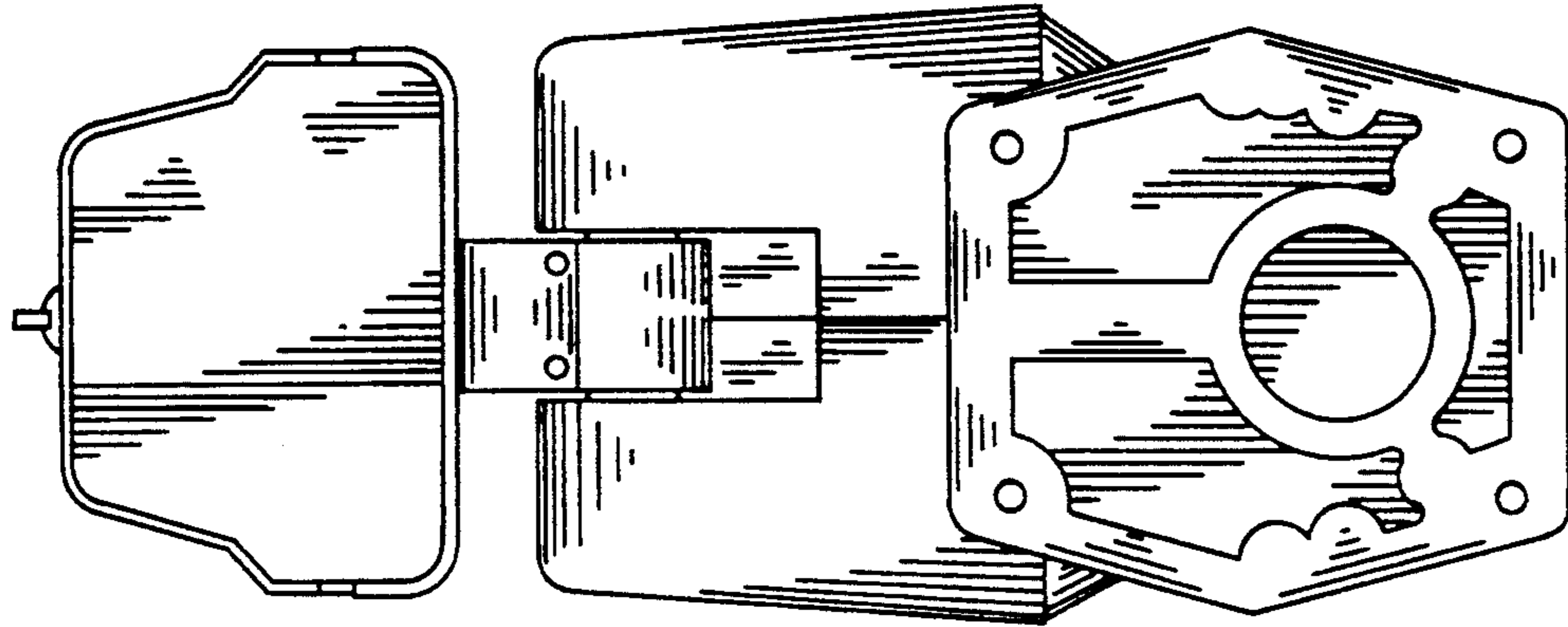


FIG. 7

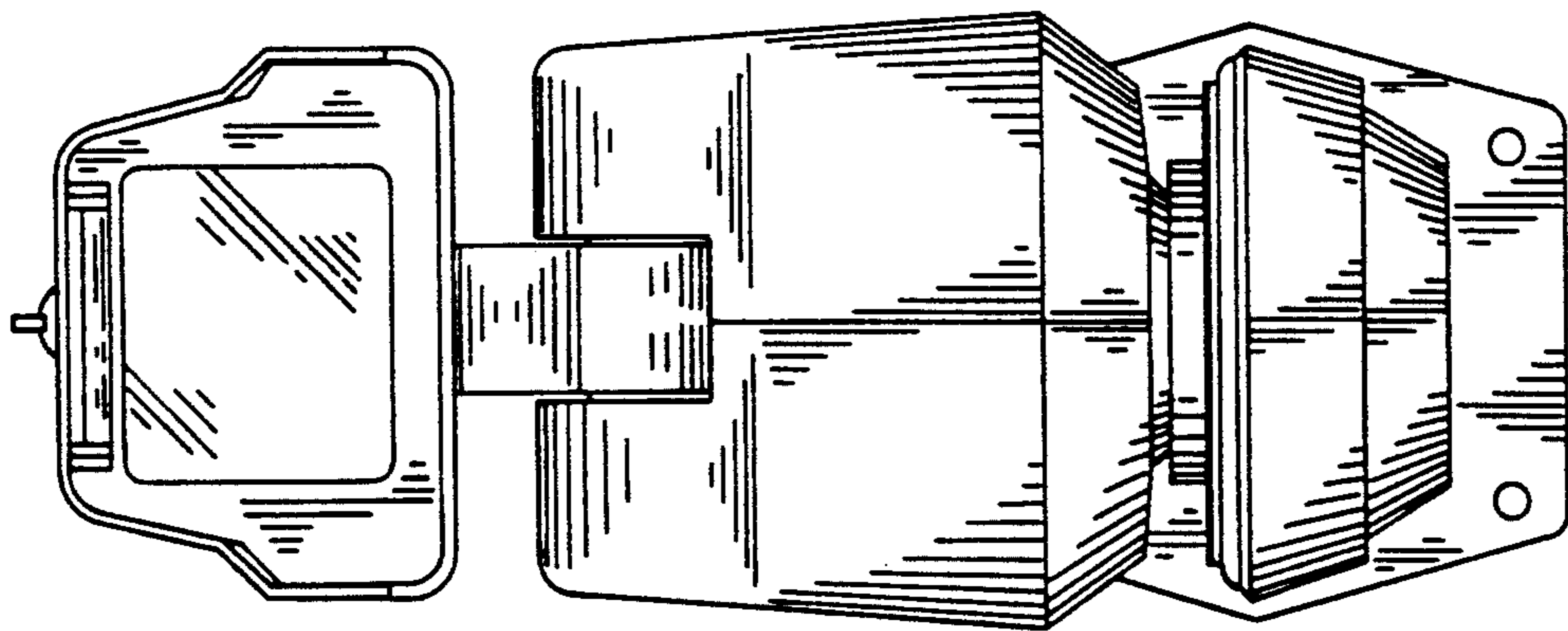


FIG. 6